

ROOF DUNNAGE FRAMING PLAN
 GUARDRAIL PIECEMARKS
 PROVIDED FOR CLARITY AS ERECTION AID
 REFER TO E1 FRAMING PLAN FOR ALL DIMENSIONS & RELEVANT INFO
 SCALE 1/4"=1'-0"

PLAN NORTH

THE FOLLOWING NOTES ARE AN INTEGRAL OF THIS DRAWING AND OUR CONTRACT:

- 1) THE C.C. IS TO RETURN ONE UNRECORDED COPY TO OUR OFFICE. We require review by both the architect and engineer.
- 2) If Architect/Engineer marks up drawing "REVISED" we will continue this action to mean we are in compliance with contract documents and in fact, these drawings are "REVISED" or "REVISED AS NOTED" unless specifically stated otherwise.
- 3) These drawings are our interpretation of what is necessary to meet your specifications. It is most important, therefore, that they are checked by the C.C./Architect/Engineer against drawings provided by other trades to ensure proper installation to those remaining materials.
- 4) This drawing is for the maximum run of hidden steel.
- 5) Work areas must be free of all obstructions prior to steel installation date. This includes ducts, pipes, electrical work, and all other obstructions which prevent direct vertical lift of steel to its final location.
- 6) Should roof or slab penetrations be required, the C.C. is responsible for all roof or slab protection, penetrations and subsequent fire stopping, waterproofing, flashing, etc.
- 7) Location of holes, dips, cuts for other trades, if required by our contract, MUST be shown and verified by others on this drawing when submitted for approval.
- 8) Do not scale this drawing.
- 9) New steel is shown as [] existing steel is shown as []

STEEL	PAINT	HOLES	BOLTS	ELECTRODES	
SEE NOTE	HOT-DIP GALVANIZED	13/16"Ø	3/4"Ø A325 (U.N.O.)	E7018 (U.N.O.)	
△	4/30/2020	STAIR - RELEASE FOR FABRICATION	1	4/30/2020 FOR FAB. & ERECTION	
△	4/1/2020	PARTIAL RELEASE FOR FABRICATION	1	4/1/2020 FOR FAB. & ERECTION	
△	3/30/2020	PARTIAL RELEASE FOR FABRICATION	1	3/31/2020 FOR FAB. & ERECTION	
△	3/26/2020	PARTIAL RELEASE FOR FABRICATION	1	3/26/2020 FOR FAB. & ERECTION	
△	3/24/2020	PARTIAL RELEASE FOR FABRICATION	1	3/24/2020 FOR FAB. & ERECTION	
△	2/7/2020	REVISED PER DESIGN CHANGE	1	2/8/2020 APPROVAL	
△		FIRST ISSUE	1	11/8/2019 APPROVAL	
NO.	DATE	COMMENTS	NO.	DATE	ISSUED FOR
REVISIONS			PRINT RECORD		

FOR FAB. & ERECTION:
 4/30/2020

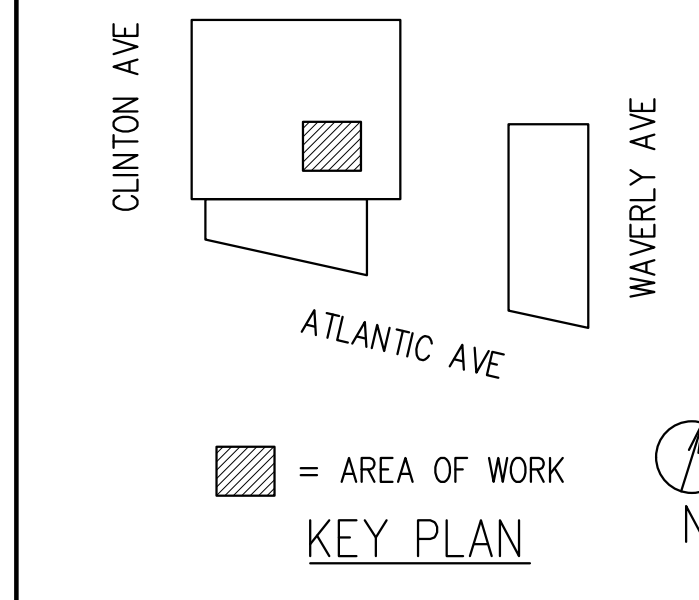
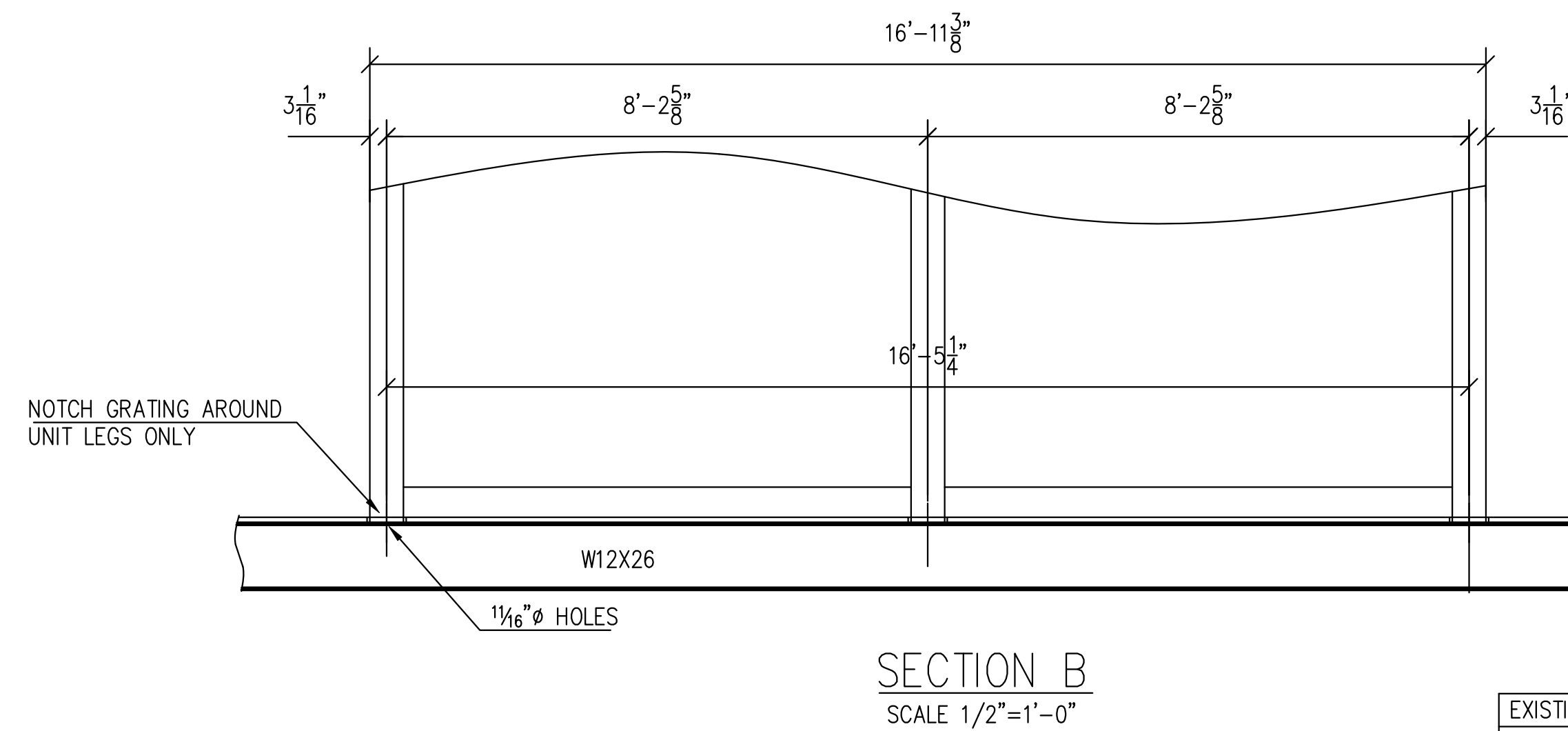
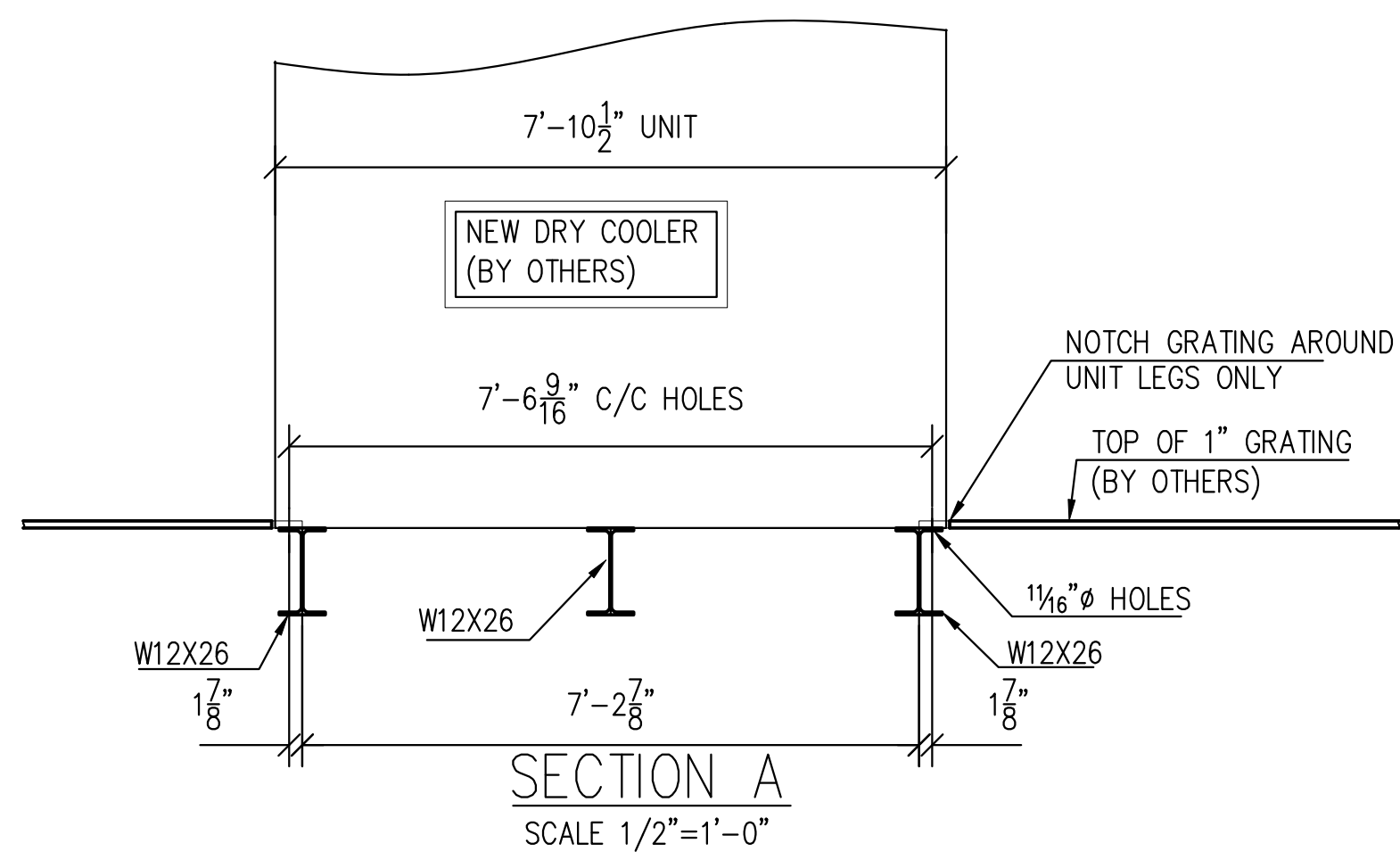
DWG TITLE
 ROOF DUNNAGE FRAMING, STAIR, & GUARDRAILS

PROJECT NAME

ARCHT
 ENGR
 CONTR

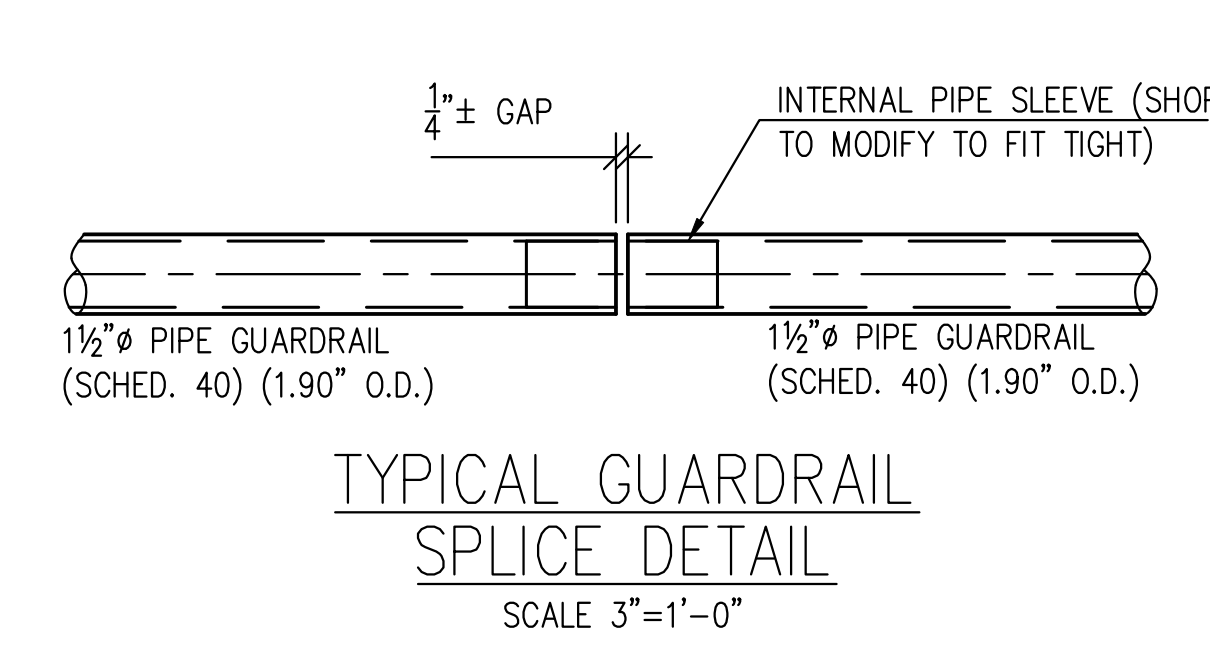
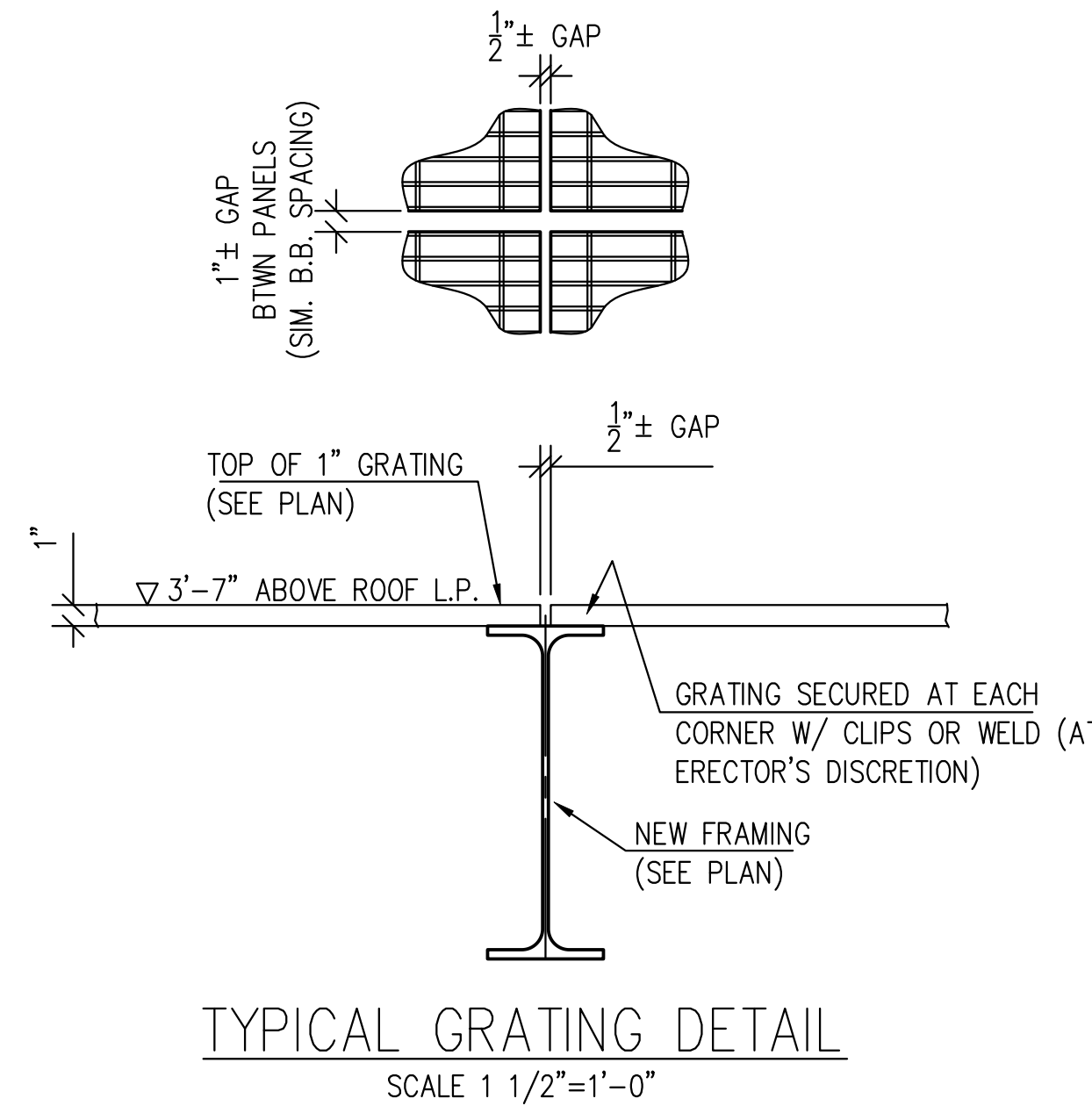
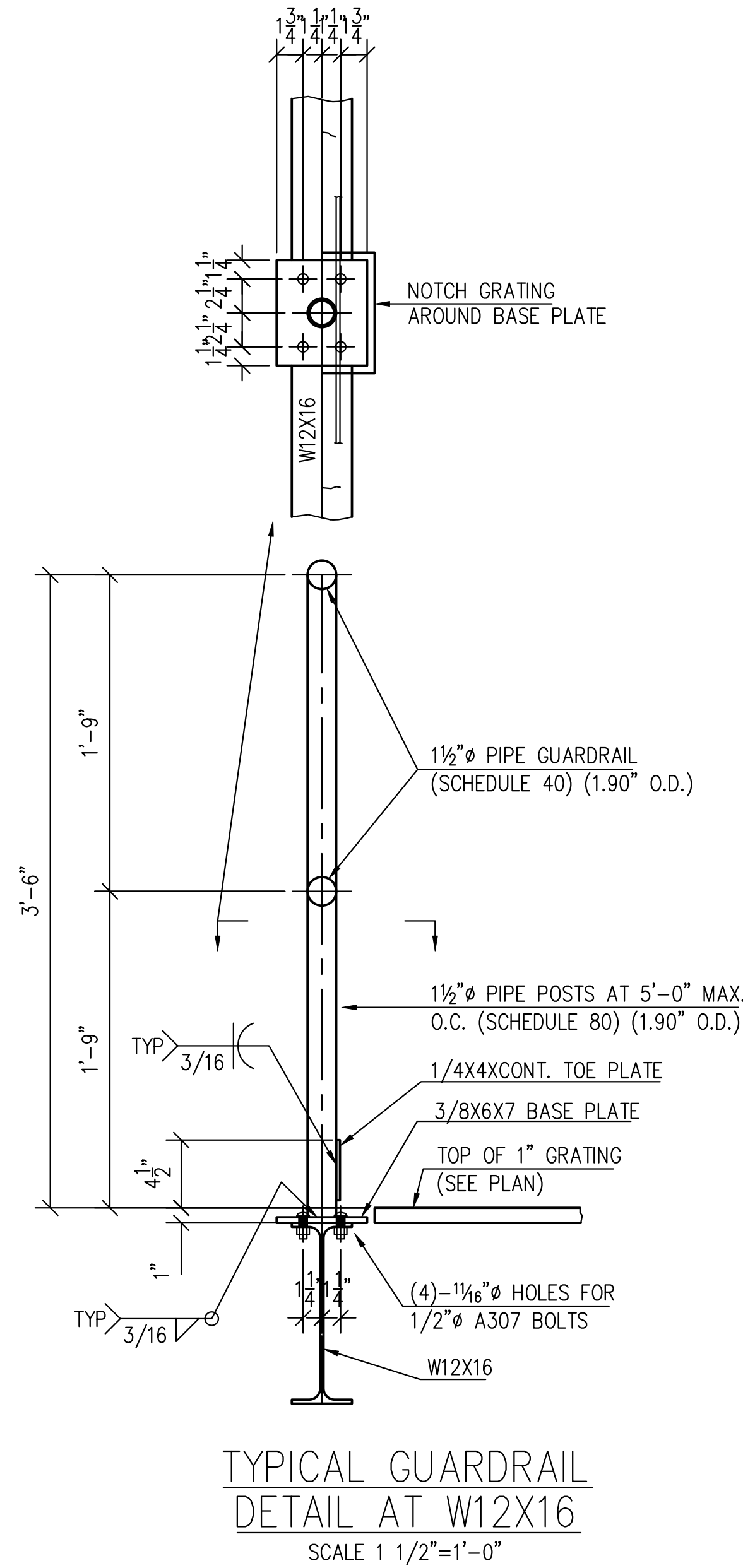
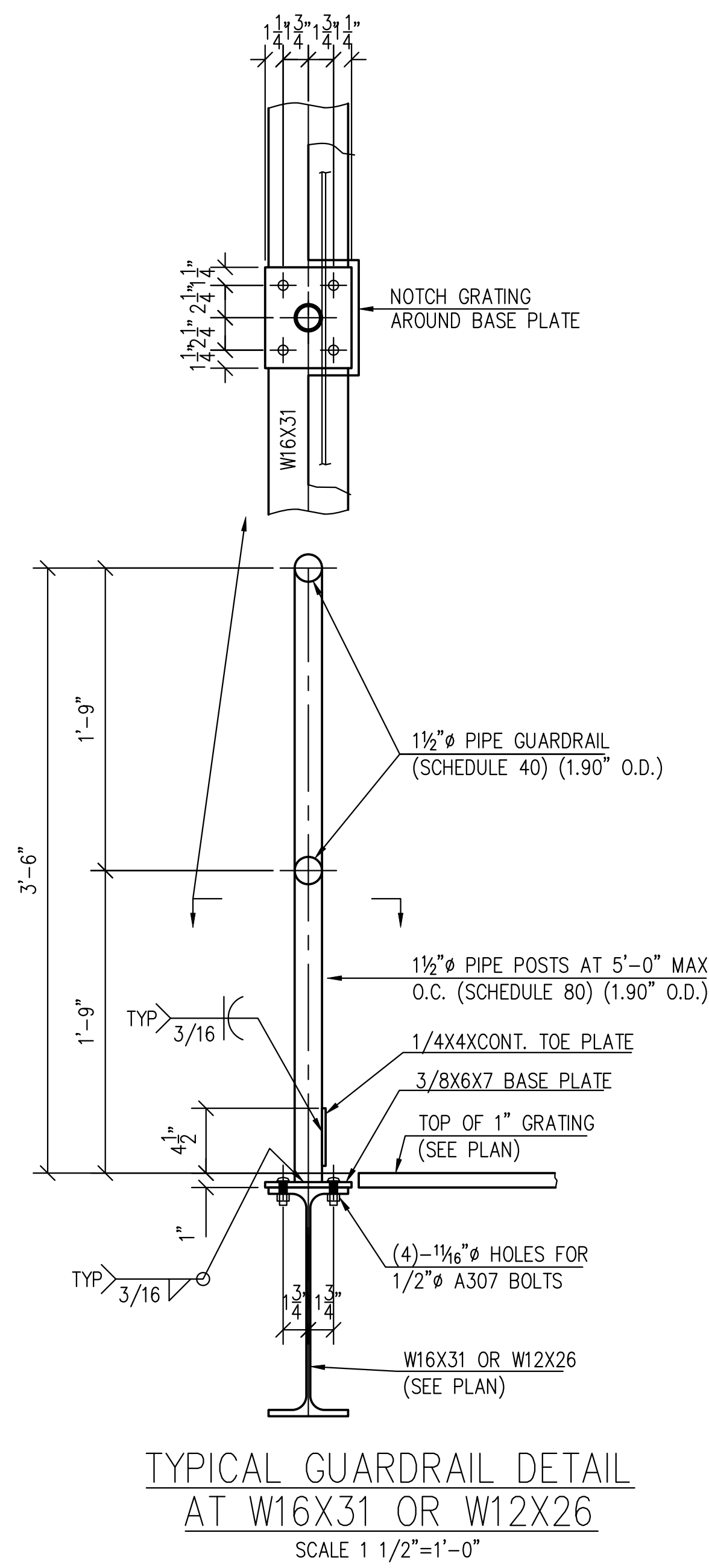
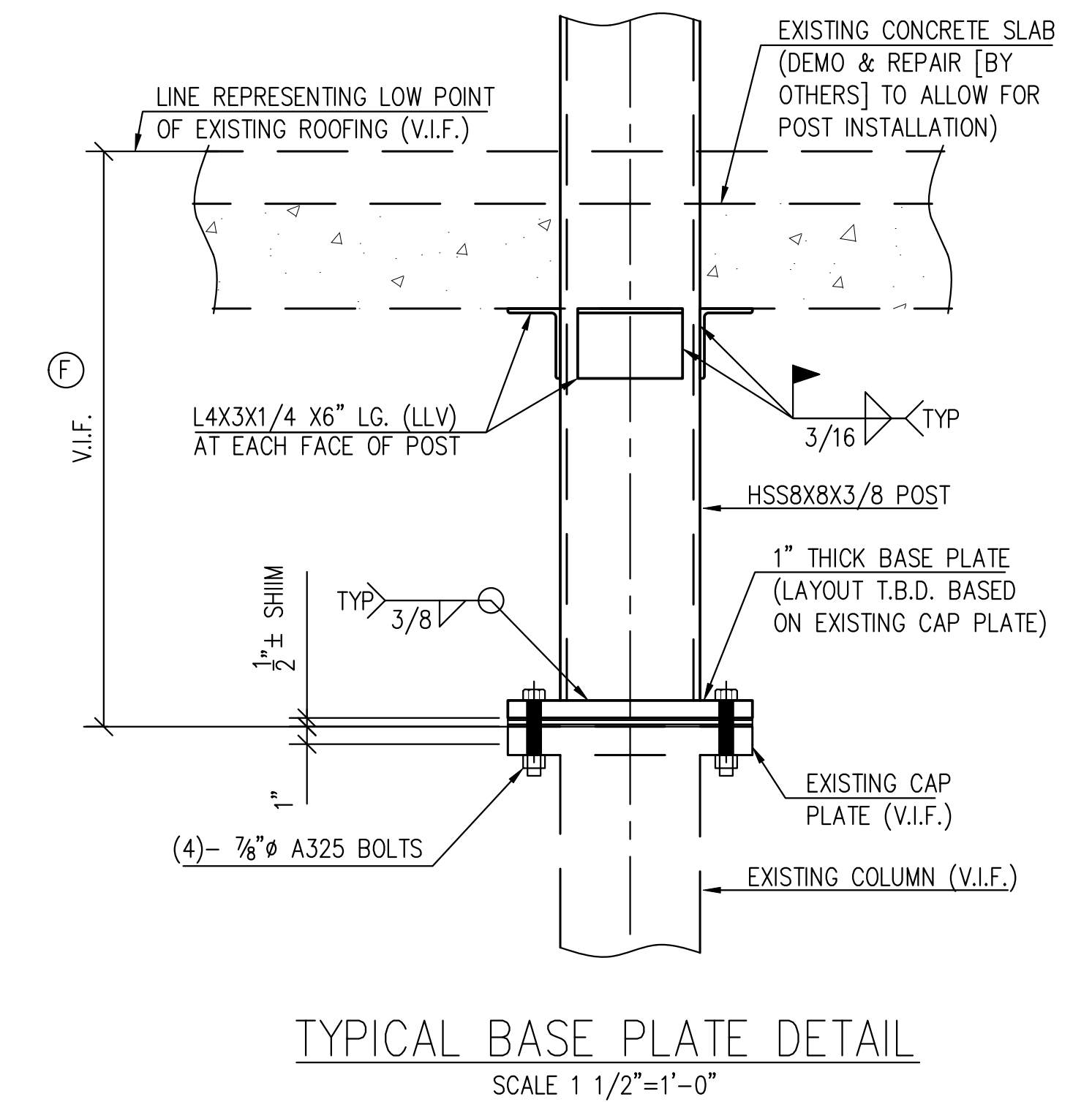
DRN BY
 DATE
 CHK'D BY
 DATE
 JOB NO.
 4550
 SEARCH
 SUPER
 DWG NO.
 E1B

NOTE:
 STEEL TO BE AS FOLLOWS
 1. WIDE FLANGE TO BE ASTM A992
 2. CHANNELS, PLATES AND ANGLES TO BE ASTM A36
 3. HSS TO BE ASTM A500 GRADE B



EXISTING CAP PLATE DIMENSIONS

COL. #	DIM. A	DIM. B	DIM. C	DIM. D	DIM. E	DIM. F
18	4 3/4"	4 3/4"	5 3/4"	5 3/4"	1"Ø	V.I.F.
23	4 3/4"	4 3/4"	5 3/4"	5 3/4"	1"Ø	
28	4 3/4"	4 3/4"	5 3/4"	5 3/4"	1"Ø	
33	4 3/4"	4 3/4"	4 3/4"	4 3/4"	1"Ø	
19	4 3/4"	4 3/4"	5 3/4"	5 3/4"	1"Ø	
24	4 3/4"	4 3/4"	5 3/4"	5 3/4"	1"Ø	
29	4 3/4"	4 3/4"	5 3/4"	5 3/4"	1"Ø	
34	4 3/4"	4 3/4"	4 3/4"	4 3/4"	1"Ø	
20	4 3/4"	4 3/4"	5 3/4"	5 3/4"	1"Ø	
25	4 3/4"	4 3/4"	5 3/4"	5 3/4"	1"Ø	
30	4 3/4"	4 3/4"	5 3/4"	5 3/4"	1"Ø	
35	4 3/4"	4 3/4"	4 3/4"	4 3/4"	1"Ø	



FOR FAB. & ERECTION:
4/30/2020

NOTE:
STEEL TO BE AS FOLLOWS
1. WIDE FLANGE TO BE ASTM A992
2. CHANNELS, PLATES AND ANGLES TO BE ASTM A36
3. HSS TO BE ASTM A500 GRADE B

PLAN NORTH

THE FOLLOWING NOTES ARE AN INTEGRAL OF THIS DRAWING AND OUR CONTRACT:

- 1) THE C.C. IS TO RETURN ONE WRITTEN COPY TO OUR OFFICE. We require review by both the architect and engineer.
- 2) If Architect/Engineer makes any drawing "REVISED" we will continue this notice to mean we are in compliance with contract documents and in fact, these drawings are "REVISED" or "REVISED AS NOTED" unless specifically stated otherwise.
- 3) These drawings are our interpretation of what is necessary to meet your specifications. It is most important, therefore, that they are checked by the C.C./Architect/Engineer against drawings provided by other trades to ensure proper installation to those remaining materials.
- 4) This drawing is for the exclusive use of the steel fabricator.
- 5) Work items must be free of all obstructions prior to steel installation date. This includes ducts, pipes, electrical work, and all other obstructions which prevent direct vertical lift of steel to its final location.
- 6) Should roof or slab penetrations be required, the C.C. is responsible for all roof or slab penetration and subsequent fire stopping, waterproofing, flashing, etc.
- 7) Location of holes, cuts, cuts for other trades, if required by our contract, MUST be shown and verified by others on this drawing when submitted for approval.
- 8) Do not scale this drawing.
- 9) New steel is shown as [] existing steel is shown as []

STEEL	PAINT	HOLES	BOLTS	ELECTRODES	
SEE NOTE	HOT-DIP GALVANIZED	13/16"Ø	3/4"Ø A325 (U.N.O.)	E7018 (U.N.O.)	
4/30/2020	STAR - RELEASE FOR FABRICATION	1	4/30/2020	FOR FAB. & ERECTION	
4/1/2020	PARTIAL RELEASE FOR FABRICATION	1	4/1/2020	FOR FAB. & ERECTION	
3/30/2020	PARTIAL RELEASE FOR FABRICATION	1	3/31/2020	FOR FAB. & ERECTION	
3/26/2020	PARTIAL RELEASE FOR FABRICATION	1	3/26/2020	FOR FAB. & ERECTION	
3/24/2020	PARTIAL RELEASE FOR FABRICATION	1	3/24/2020	FOR FAB. & ERECTION	
2/7/2020	REVISED PER DESIGN CHANGE	1	2/8/2020	APPROVAL	
	FIRST ISSUE	1	1/16/2019	APPROVAL	
NO.	DATE	COMMENTS	NO.	DATE	ISSUED FOR
REVISIONS			PRINT RECORD		

DWG TITLE: ROOF DUNNAGE FRAMING, STAIR, & GUARDRAILS

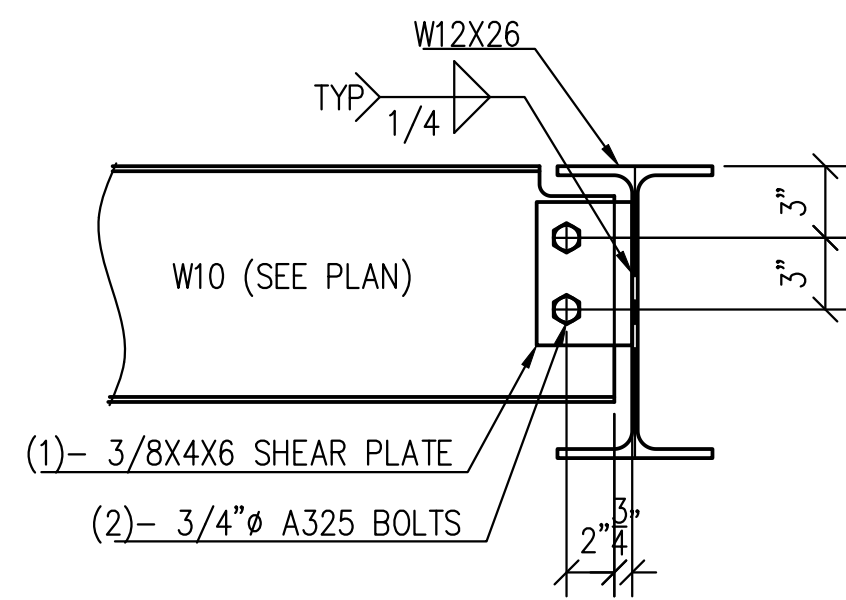
PROJECT NAME:

ARCHT: _____ DWG REF: _____

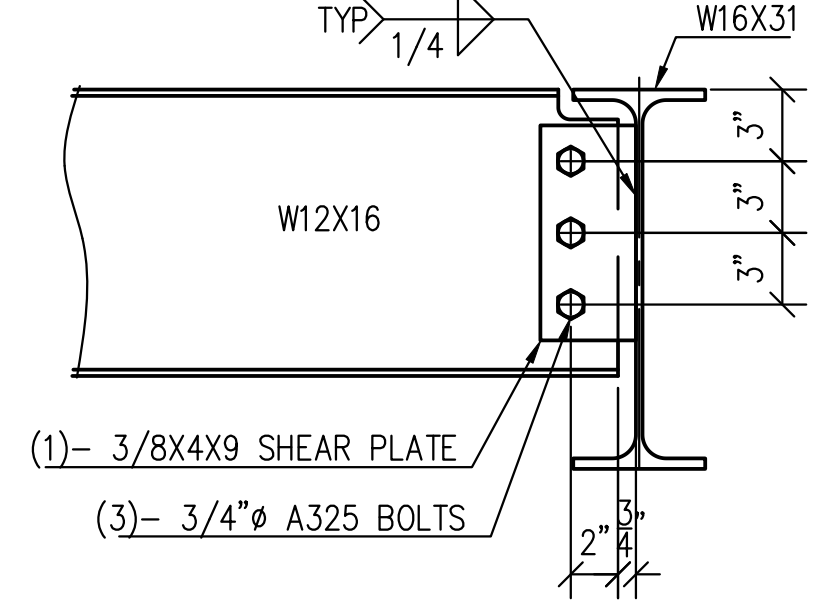
ENGR: _____ DWG REF: 8-101.00

CONTR: _____ SUPER: _____

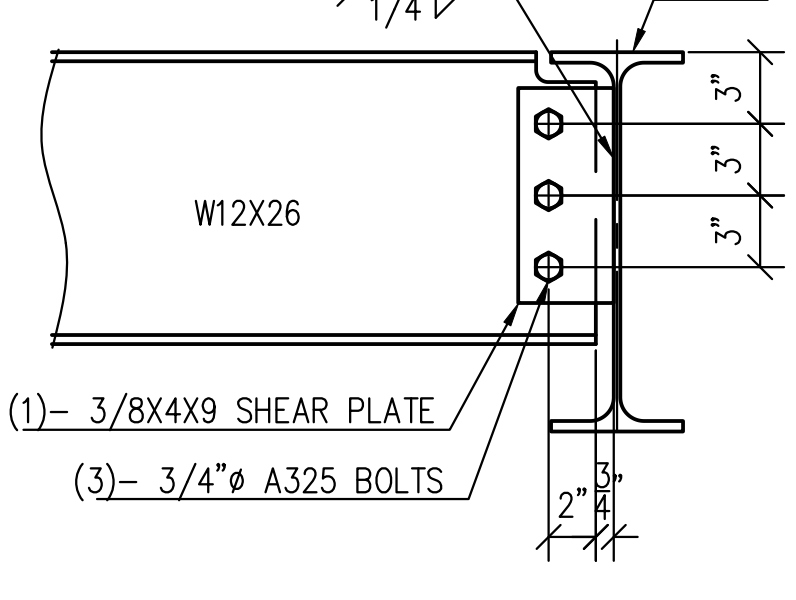
DRN BY: TS/OC _____ DATE: 11/4/19 _____ JOB NO.: 4550 _____ SEARCH: _____ DWG NO.: E2



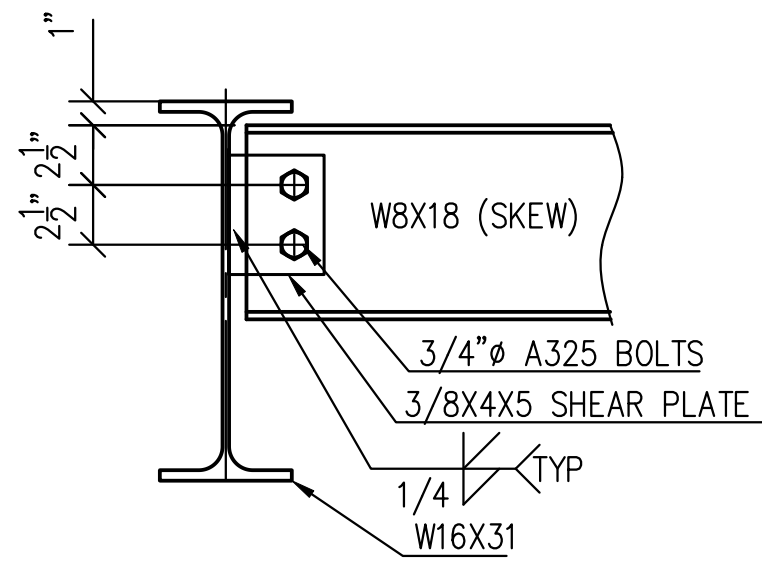
TYPICAL CONNECTION DETAIL
W10 INTO W12X26
SCALE 1 1/2"=1'-0"



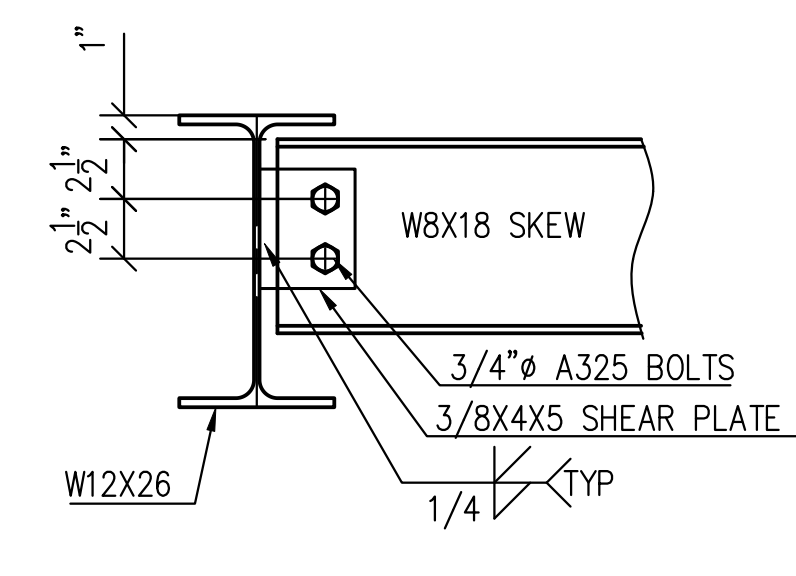
TYPICAL CONNECTION DETAIL
W12X16 INTO W16X31
SCALE 1 1/2"=1'-0"



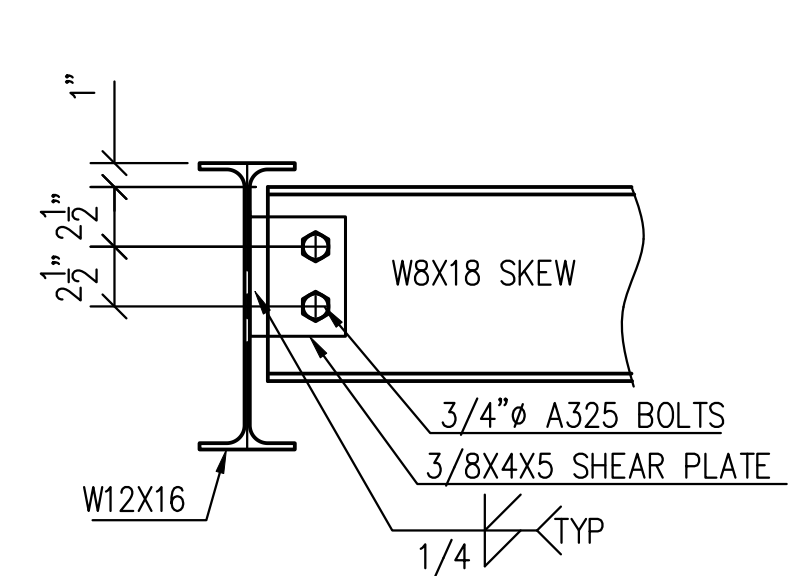
TYPICAL CONNECTION DETAIL
W12X26 INTO W16X31
SCALE 1 1/2"=1'-0"



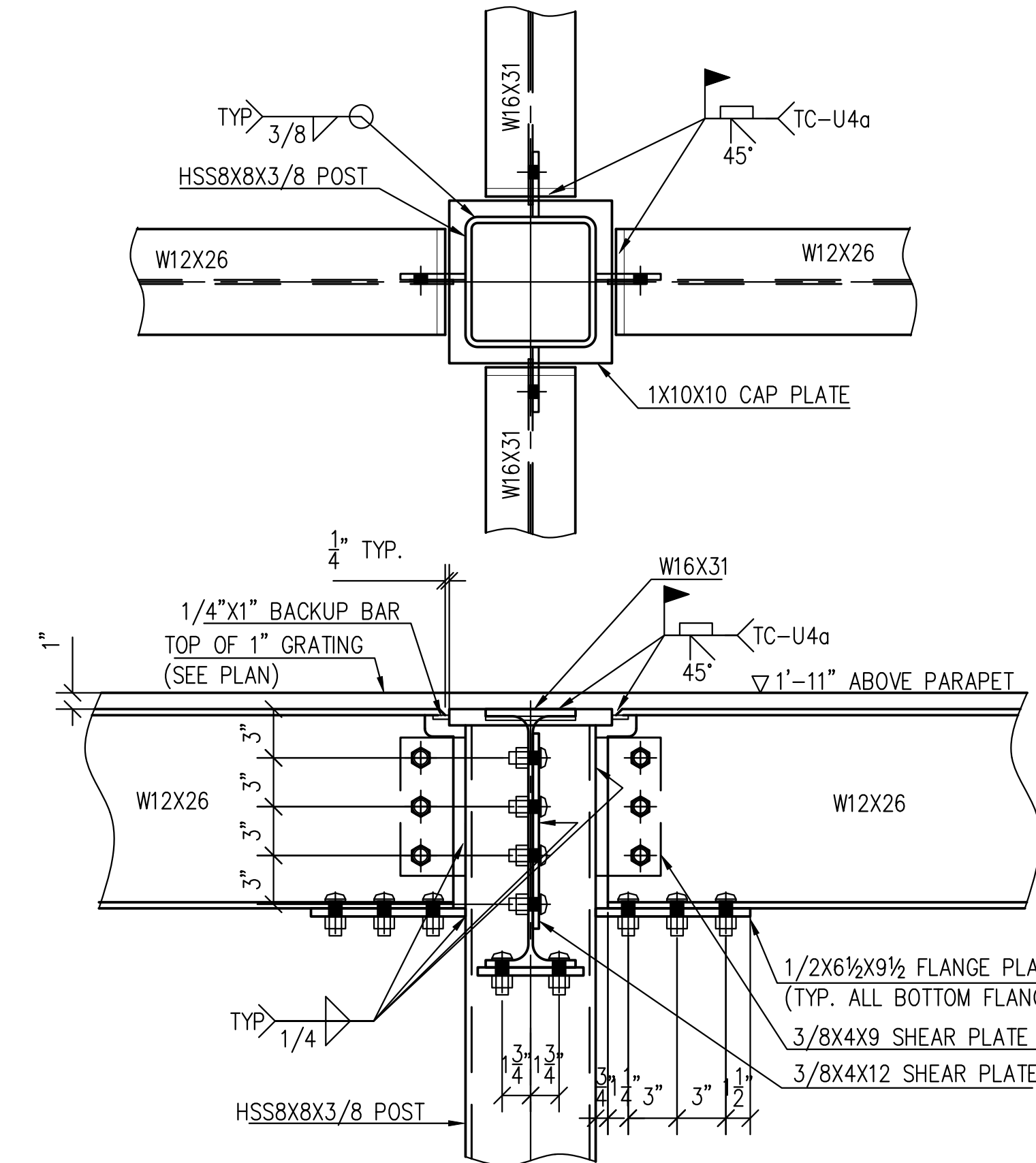
TYPICAL CONNECTION DETAIL
W8X18 (SKEW) INTO W16X31
SCALE 1 1/2"=1'-0"



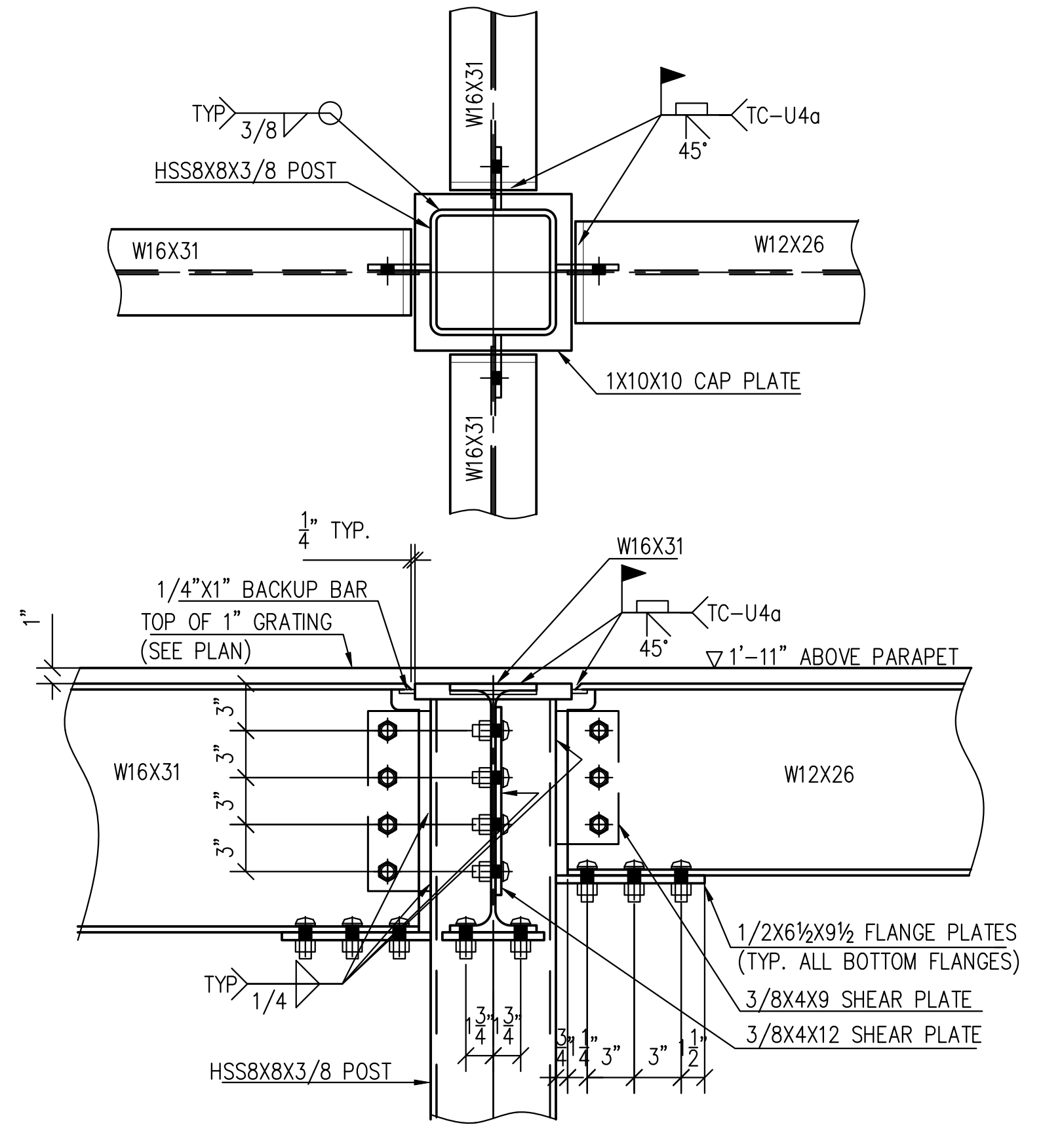
TYPICAL CONNECTION DETAIL
W8X18 (SKEW) INTO W12X26
SCALE 1 1/2"=1'-0"



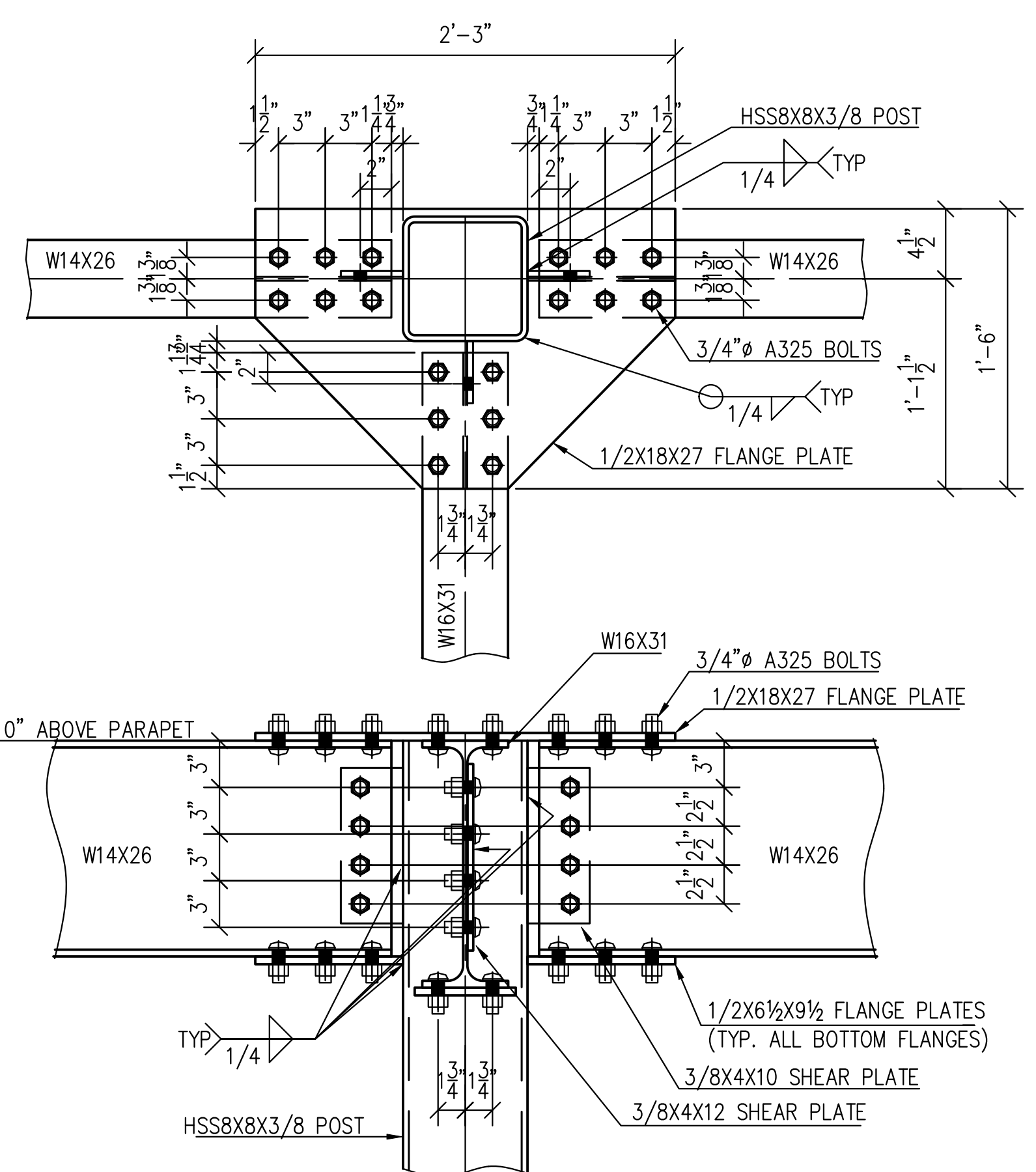
TYPICAL CONNECTION DETAIL
W8X18 (SKEW) INTO W12X16
SCALE 1 1/2"=1'-0"



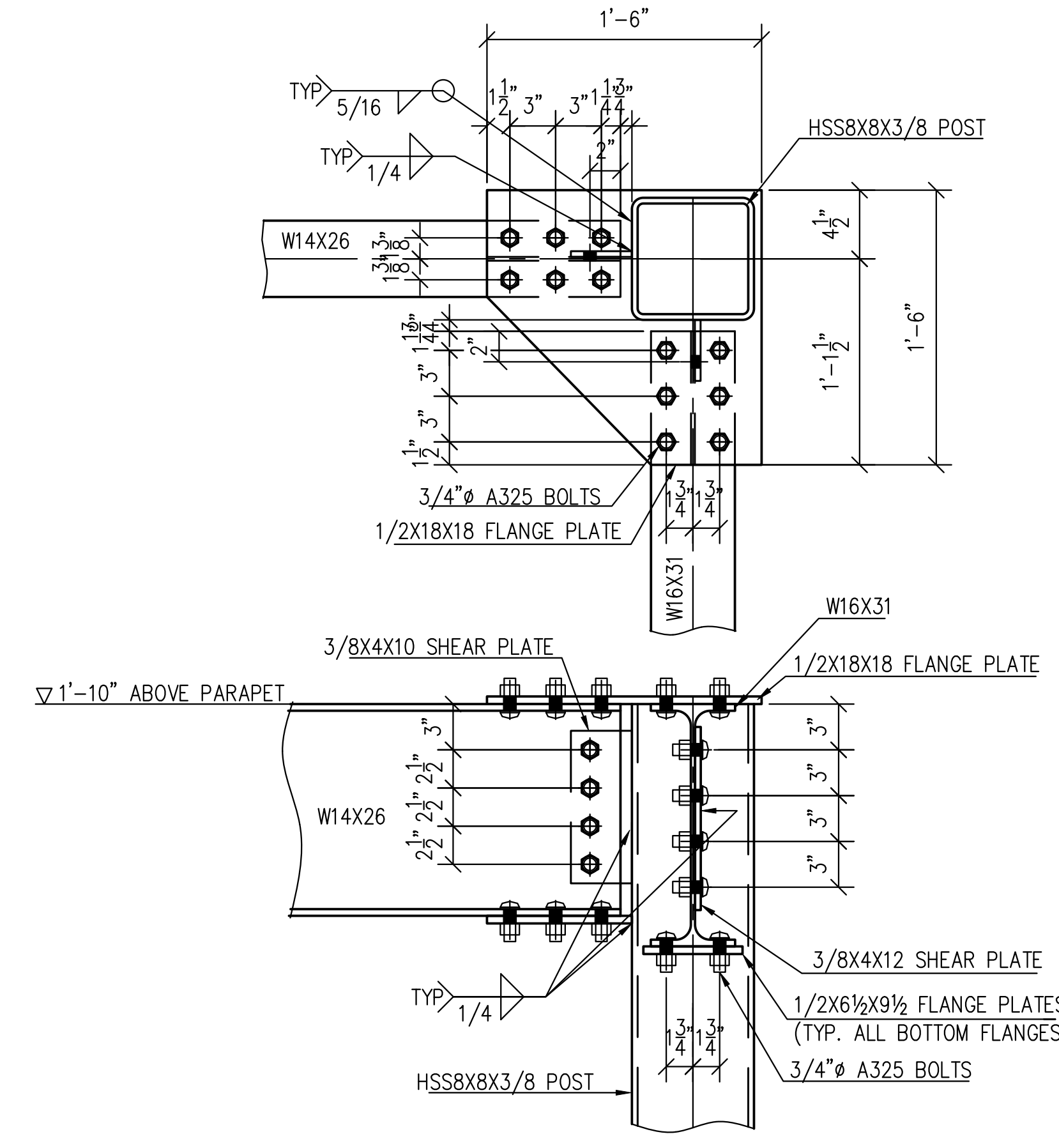
DETAIL 3
SCALE 1 1/2"=1'-0"



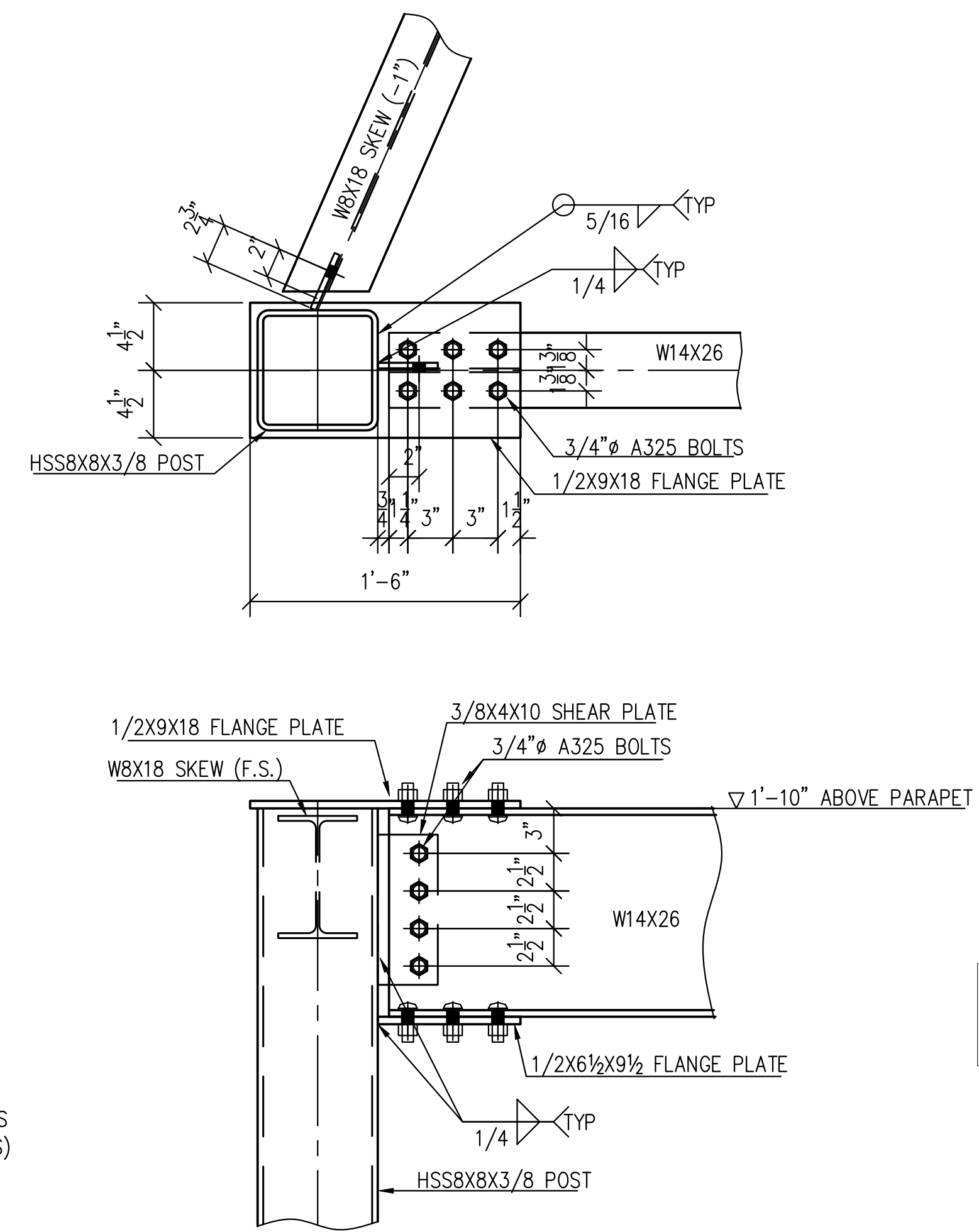
DETAIL 3A
SCALE 1 1/2"=1'-0"



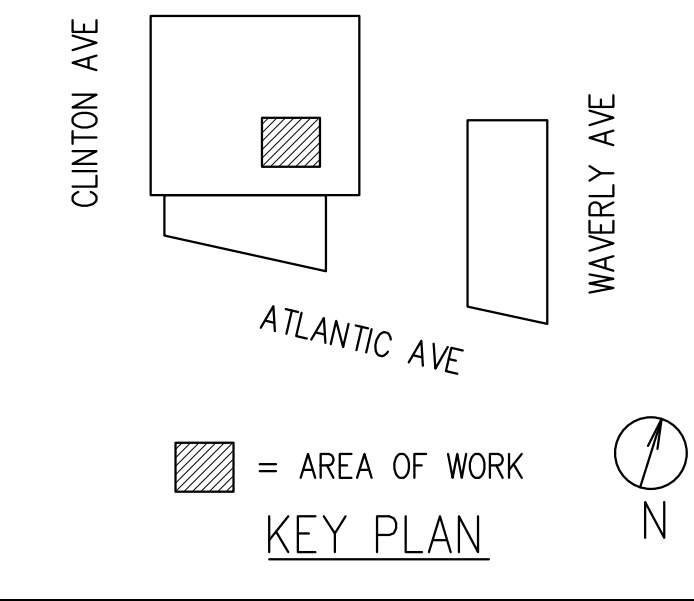
DETAIL 1
SCALE 1 1/2"=1'-0"



DETAIL 2
SCALE 1 1/2"=1'-0"



DETAIL 2A
SCALE 1 1/2"=1'-0"



KEY PLAN

PLAN NORTH

THE FOLLOWING NOTES ARE AN INTEGRAL OF THIS DRAWING AND OUR CONTRACT:

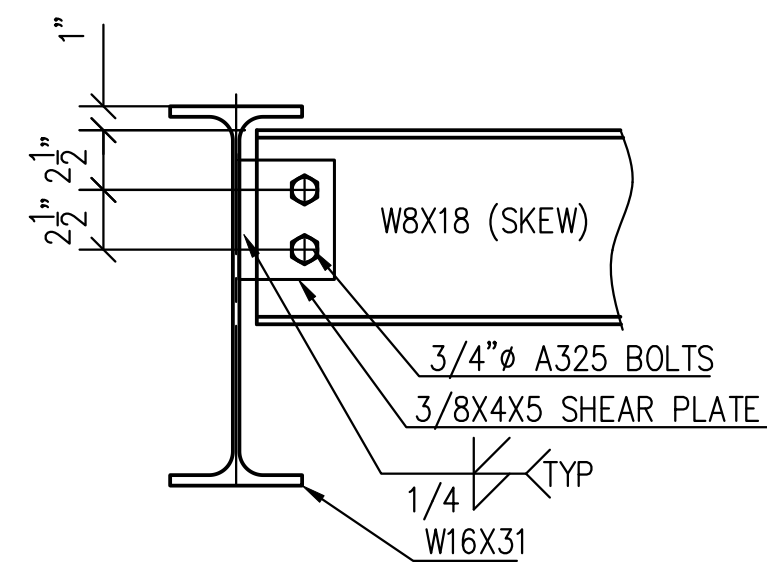
- 1) THE C.C. IS TO RETURN ONE WORKED-UP COPY TO OUR OFFICE. We require review by both the architect and engineer.
- 2) If Architect/Engineer marks up drawing "REVISED" we will continue this action to mean we are in compliance with contract documents and in fact, these drawings are "REVISED" or "PROPOSED" AS NOTED unless specifically stated otherwise.
- 3) These drawings are our interpretation of what is necessary to meet your specifications. It is most important, therefore, that they are checked by the C.C./Architect/Engineer against drawings provided by other trades to ensure proper installation by those remaining trades.
- 4) This drawing is for the exclusive use of hidden steel.
- 5) Work items must be free of all obstructions prior to steel installation date. This includes ducts, pipes, electrical work, and all other obstructions which prevent direct vertical lift of steel to its final location.
- 6) Should roof or slab penetrations be required, the C.C. is responsible for all roof or slab protection, penetrations and subsequent fire stopping, waterproofing, flashing, etc.
- 7) Location of holes, dips, cuts for other trades, if required by our contract, MUST be shown and/or verified by others on this drawing when submitted for approval.
- 8) Do not scale this drawing.
- 9) New steel is shown as [] existing steel is shown as []

STEEL	PAINT	HOLES	BOLTS	ELECTRODES
SEE NOTE	HOT-DIP GALVANIZED	13/16"Ø	3/4"Ø A325 (U.N.O.)	E7018 (U.N.O.)
△	4/30/2020	STAR - RELEASE FOR FABRICATION	1	4/30/2020 FOR FAB. & ERECTION
△	4/1/2020	PARTIAL RELEASE FOR FABRICATION	1	4/1/2020 FOR FAB. & ERECTION
△	3/30/2020	PARTIAL RELEASE FOR FABRICATION	1	3/31/2020 FOR FAB. & ERECTION
△	3/26/2020	PARTIAL RELEASE FOR FABRICATION	1	3/26/2020 FOR FAB. & ERECTION
△	3/24/2020	PARTIAL RELEASE FOR FABRICATION	1	3/24/2020 FOR FAB. & ERECTION
△	2/7/2020	REVISED PER DESIGN CHANGE	1	2/8/2020 APPROVAL
NO.	DATE	COMMENTS	NO.	DATE
REVISIONS			PRINT RECORD	ISSUED FOR

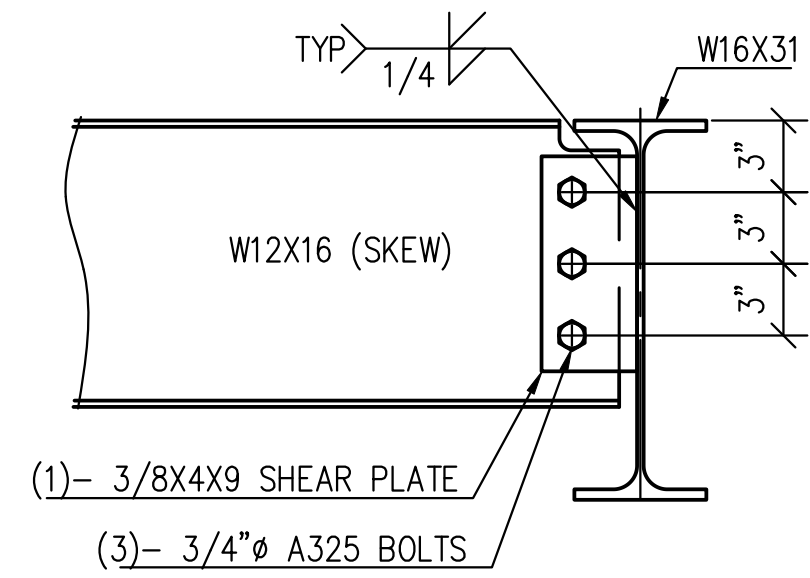
FOR FAB. & ERECTION:
4/30/2020

NOTE:
STEEL TO BE AS FOLLOWS
1. WIDE FLANGE TO BE ASTM A992
2. CHANNELS, PLATES AND ANGLES TO BE ASTM A36
3. HSS TO BE ASTM A500 GRADE B

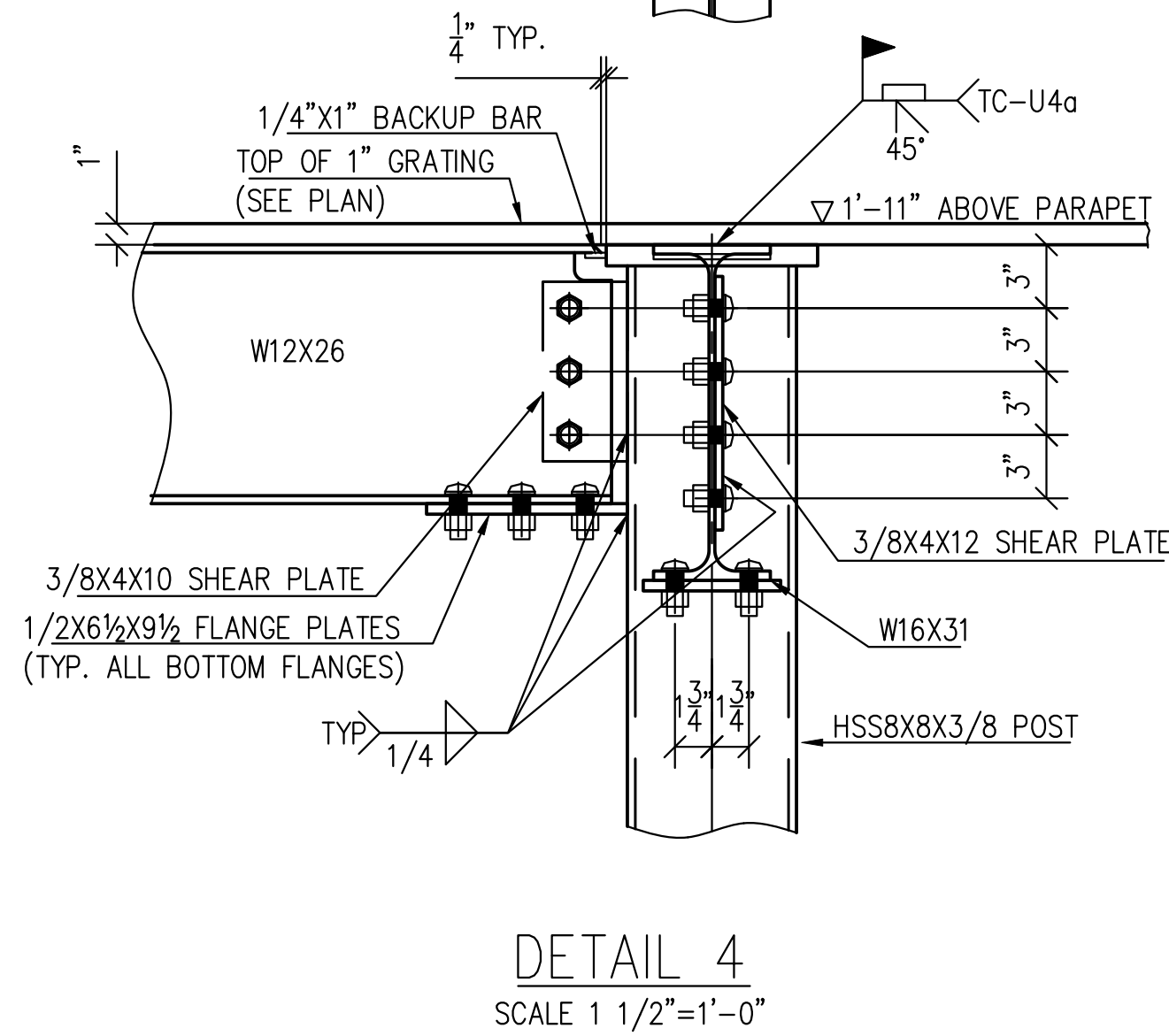
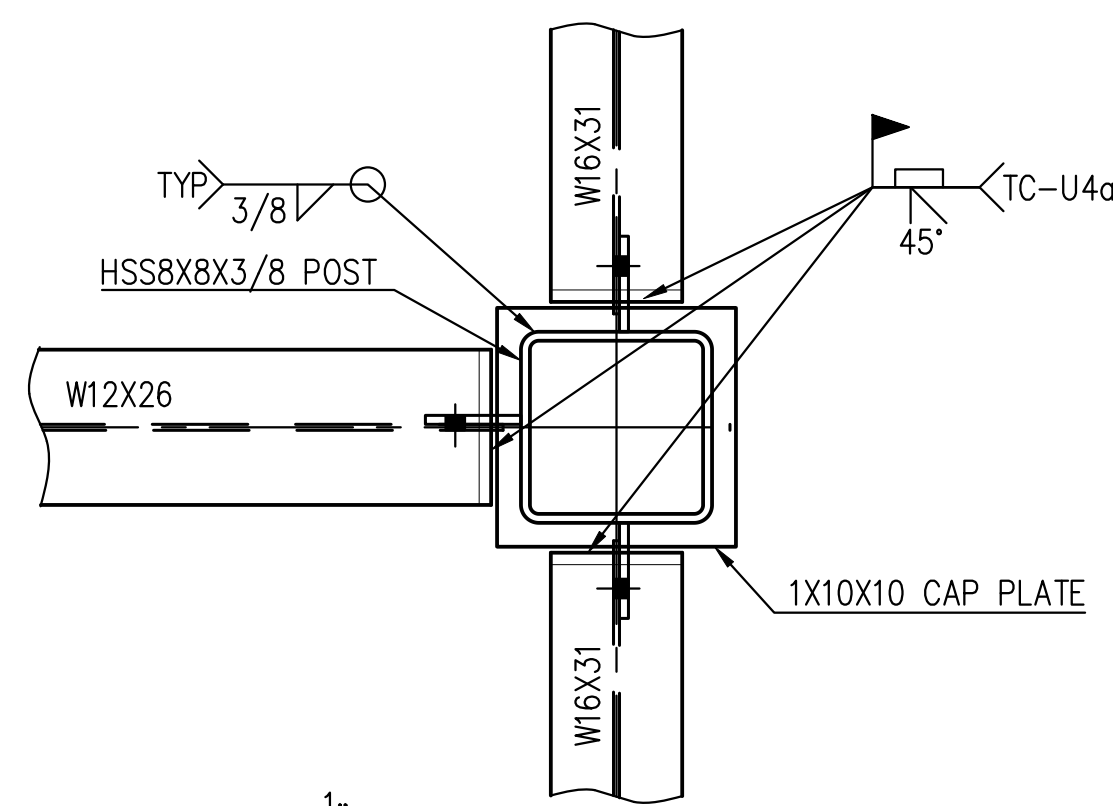
DWG TITLE		ROOF DUNNAGE FRAMING, STAIR, & GUARDRAILS	
PROJECT NAME			
ARCHT		DWG REF	
ENGR		DWG REF	8-101.00
CONTR		DWG REF	8-102.00
DRN BY	CHK'D BY	JOB NO.	SEARCH
TS/OC		4550	
DATE			DWG NO.
11/4/19			E3



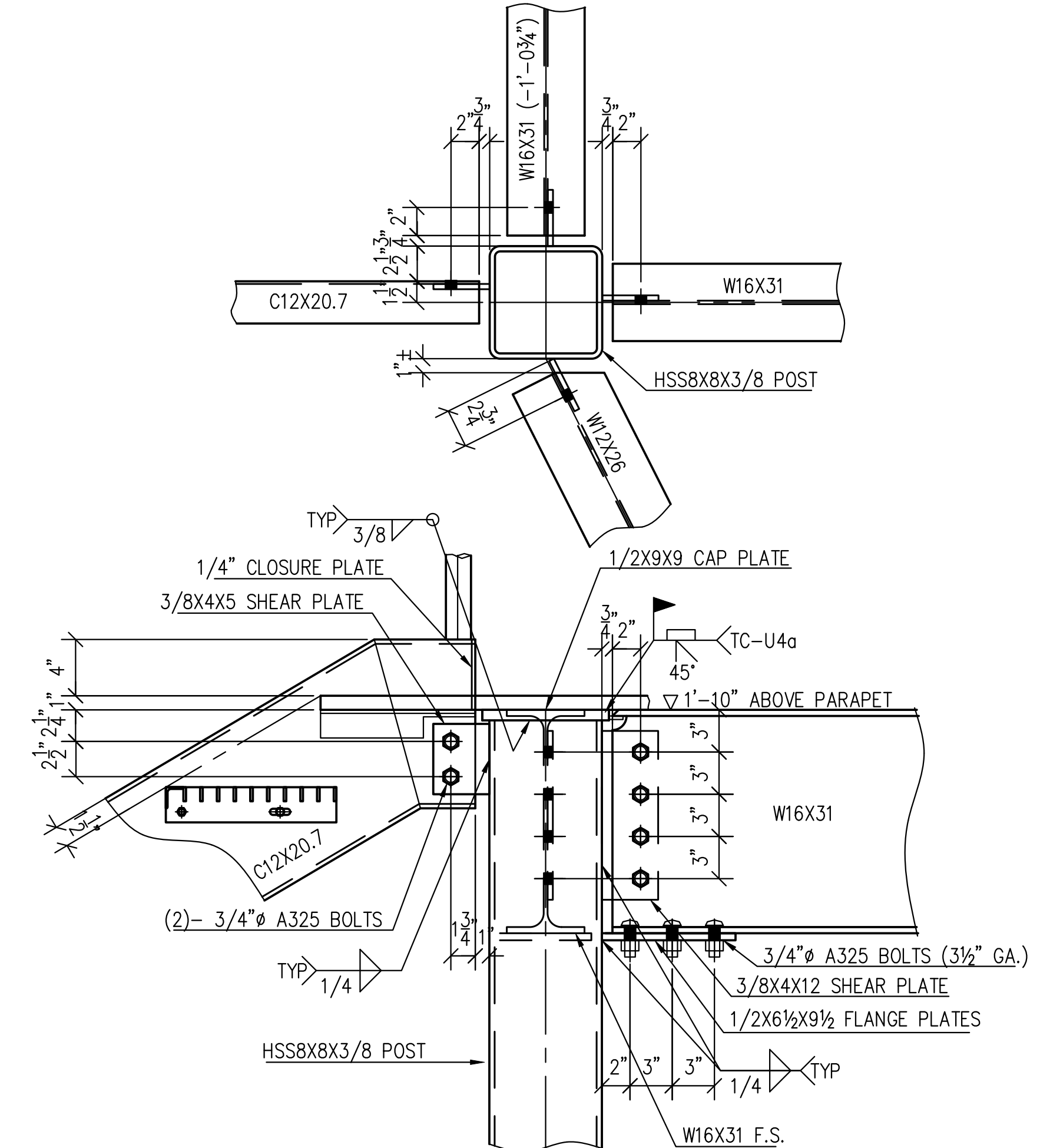
TYPICAL CONNECTION DETAIL
W8X18 (SKEW) INTO W16X31
SCALE 1 1/2"=1'-0"



TYPICAL CONNECTION DETAIL
W12X16 (SKEW) INTO W16X31
SCALE 1 1/2"=1'-0"

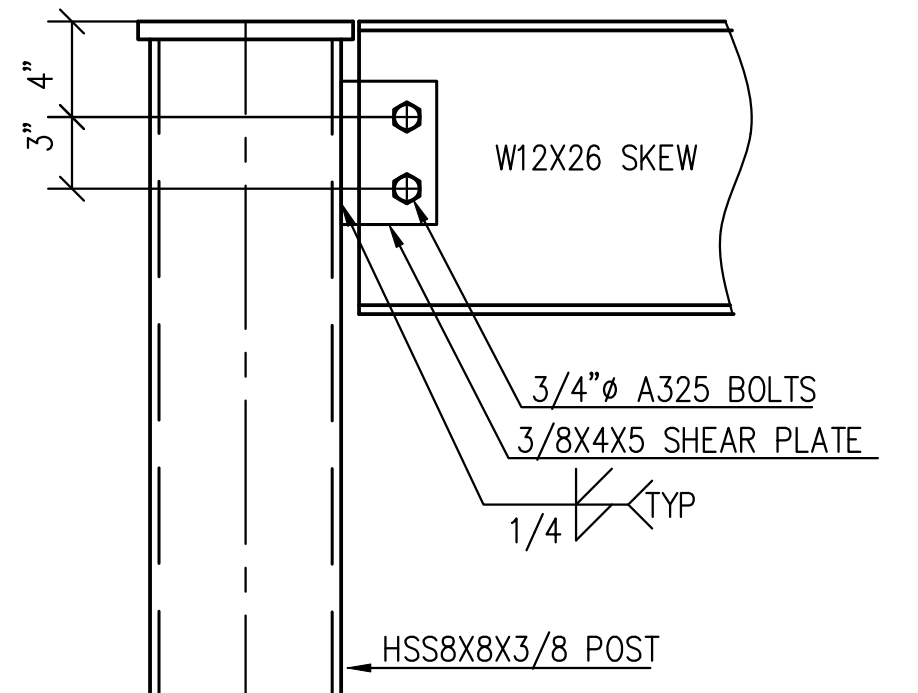


DETAIL 4
SCALE 1 1/2"=1'-0"

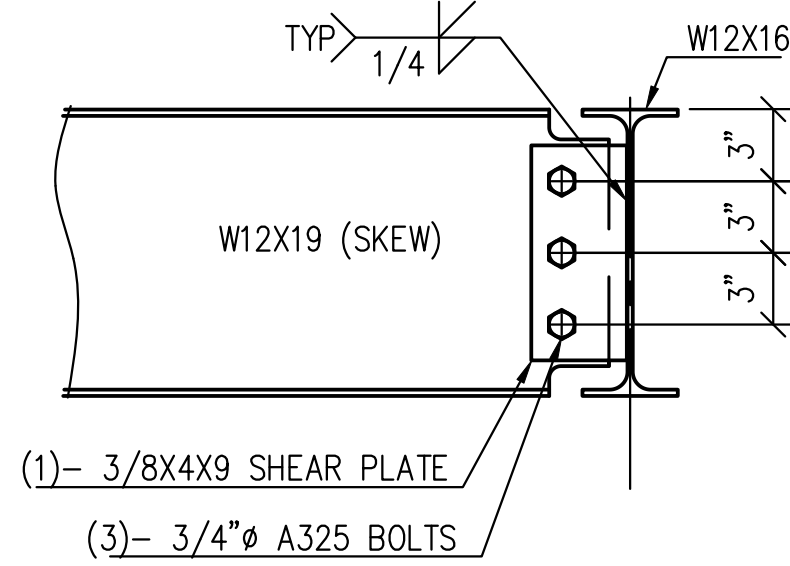
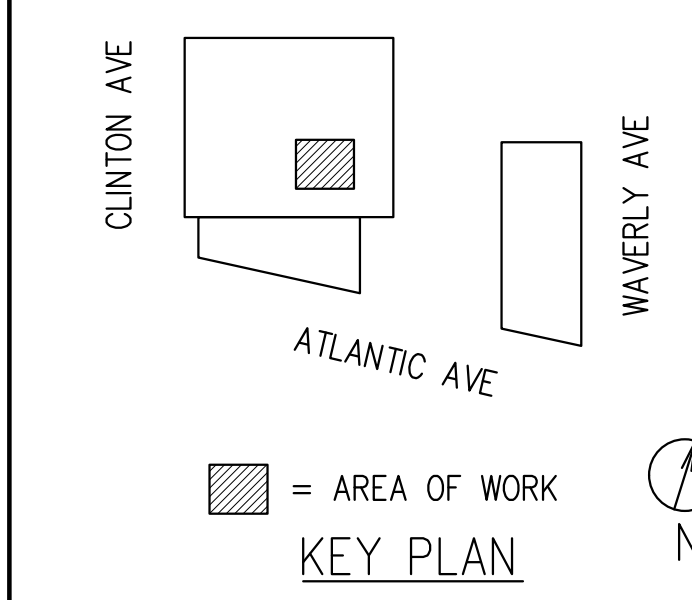


NOTE: W12 BRACE NOT SHOWN (FOR CLARITY)

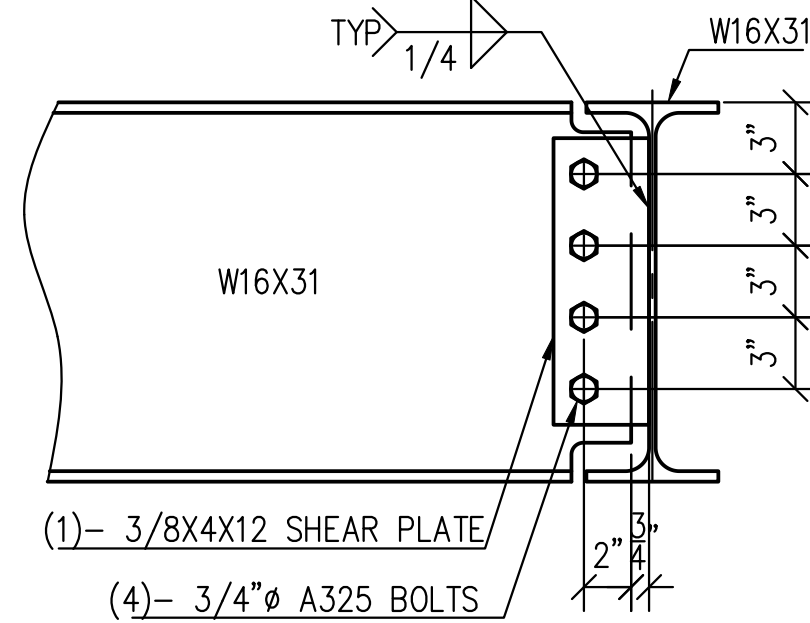
DETAIL 6
SCALE 1 1/2"=1'-0"



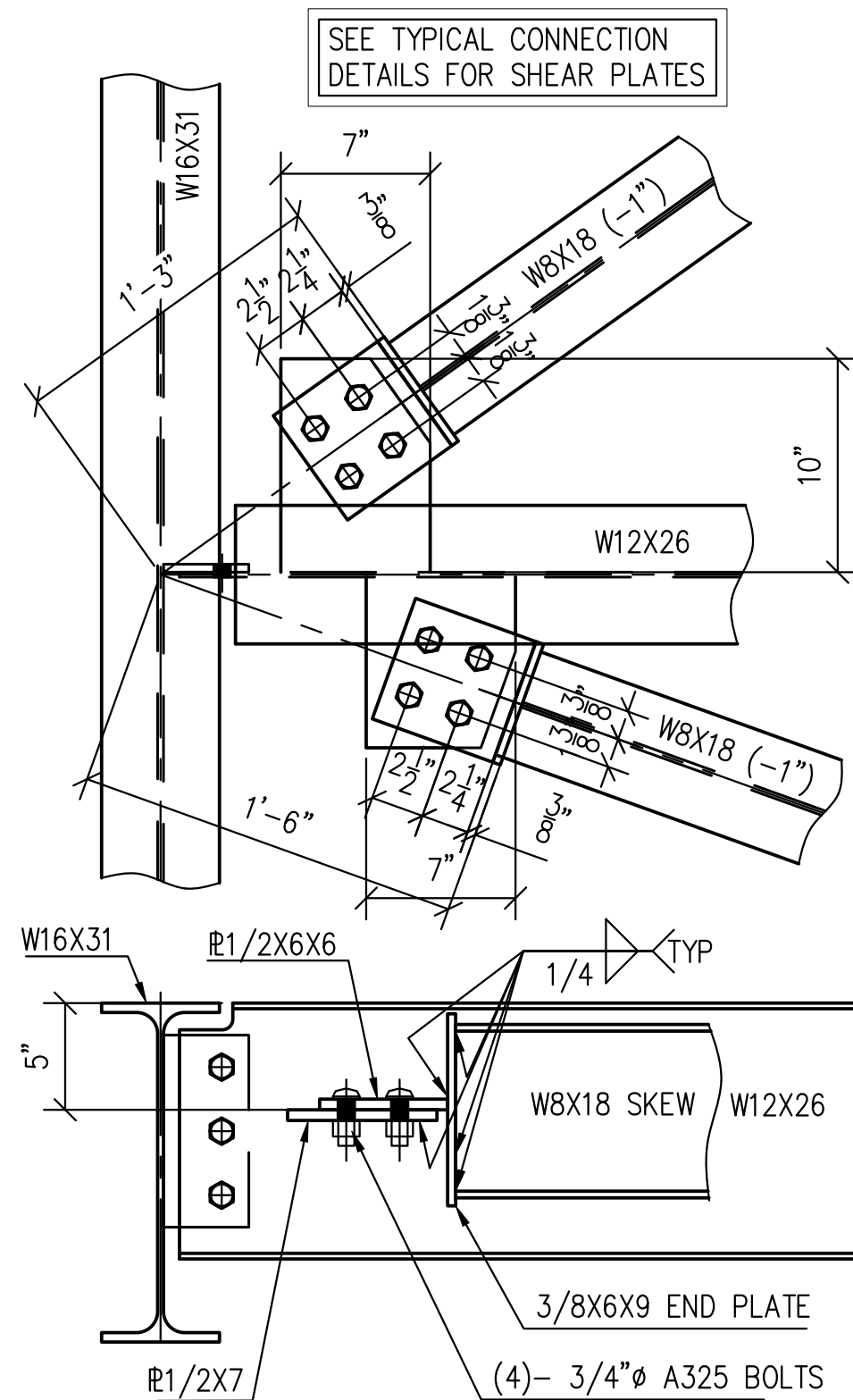
CONNECTION DETAIL
W12X26 INTO POST
SCALE 1 1/2"=1'-0"



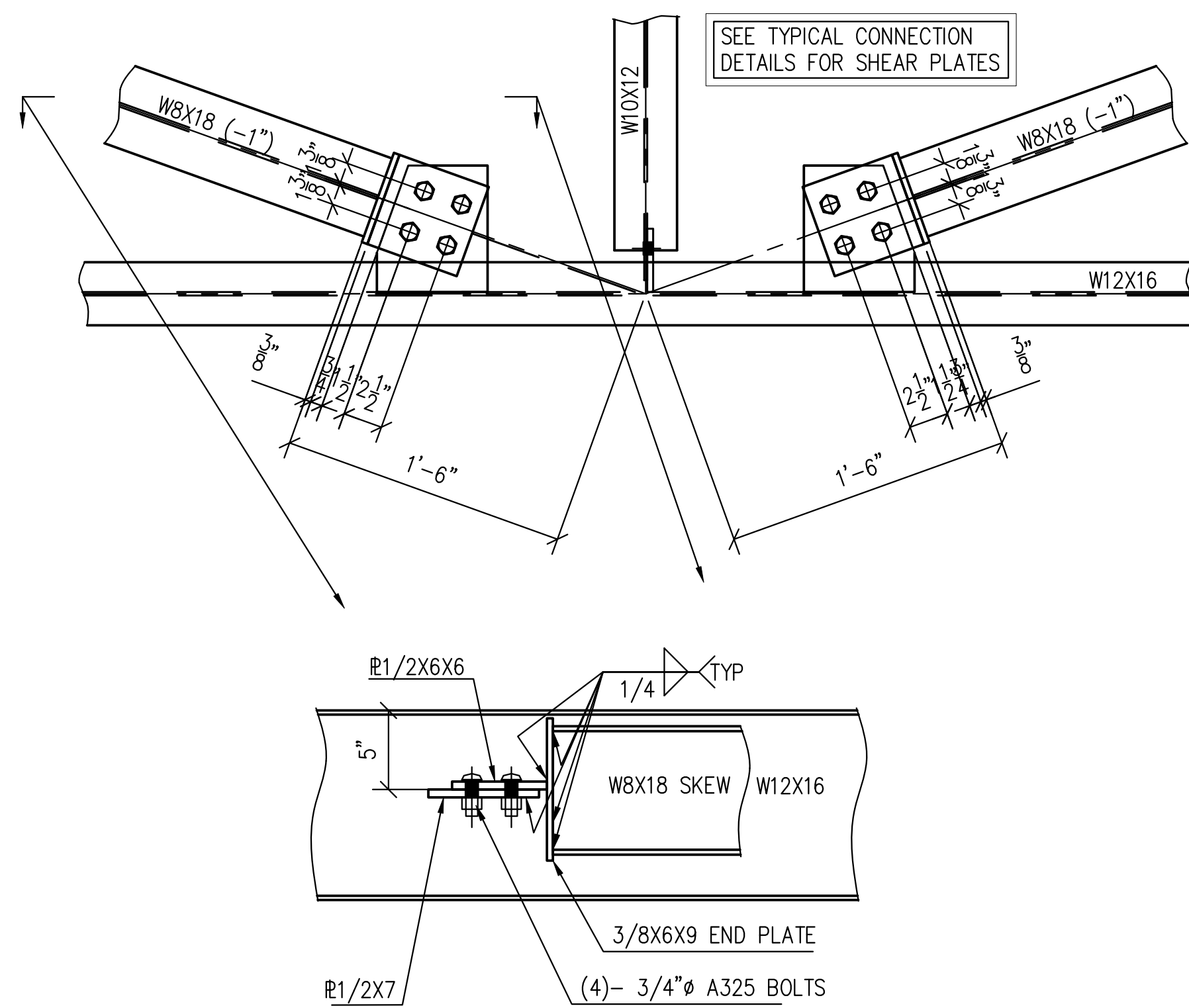
TYPICAL CONNECTION DETAIL
W12X19 (SKEW) INTO W12X16
SCALE 1 1/2"=1'-0"



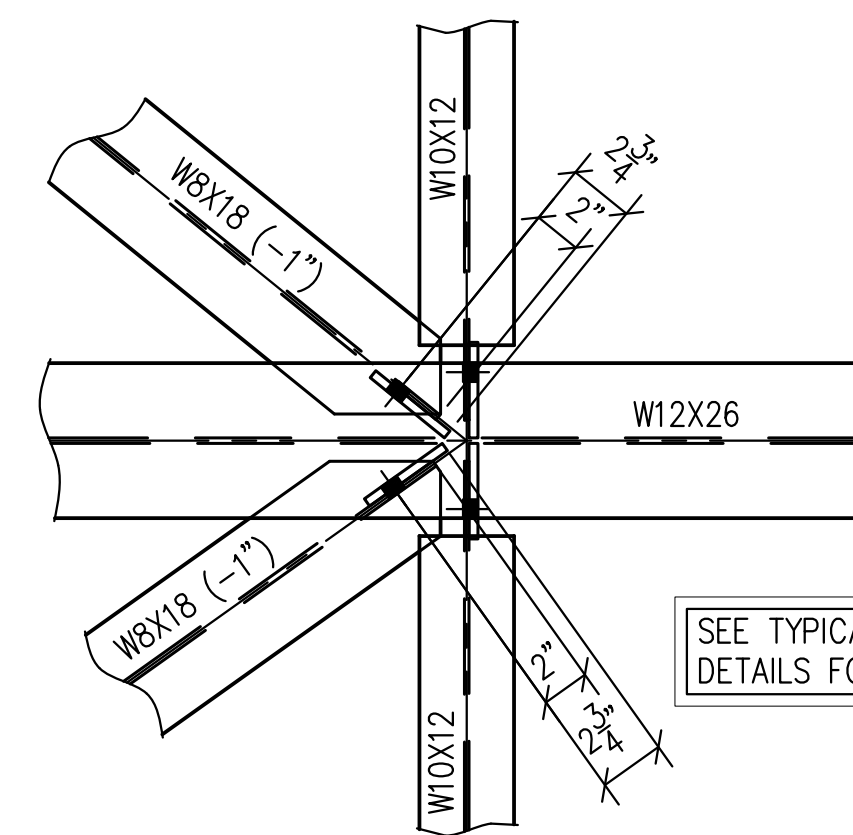
TYPICAL CONNECTION DETAIL
W16X31 INTO W16X31
SCALE 1 1/2"=1'-0"



DETAIL 8
SCALE 1 1/2"=1'-0"



DETAIL 9
SCALE 1 1/2"=1'-0"



DETAIL 7
SCALE 1 1/2"=1'-0"

FOR FAB. & ERECTION:
4/30/2020

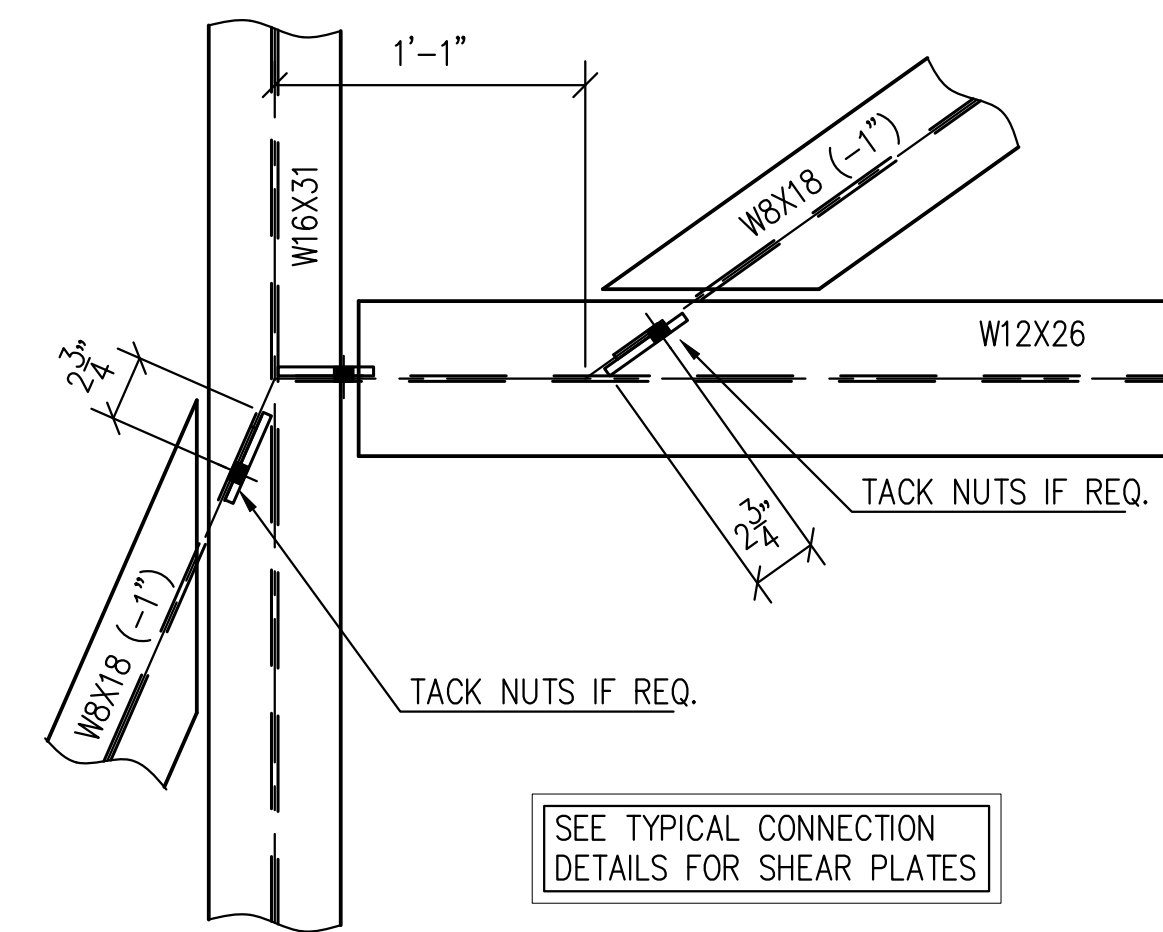
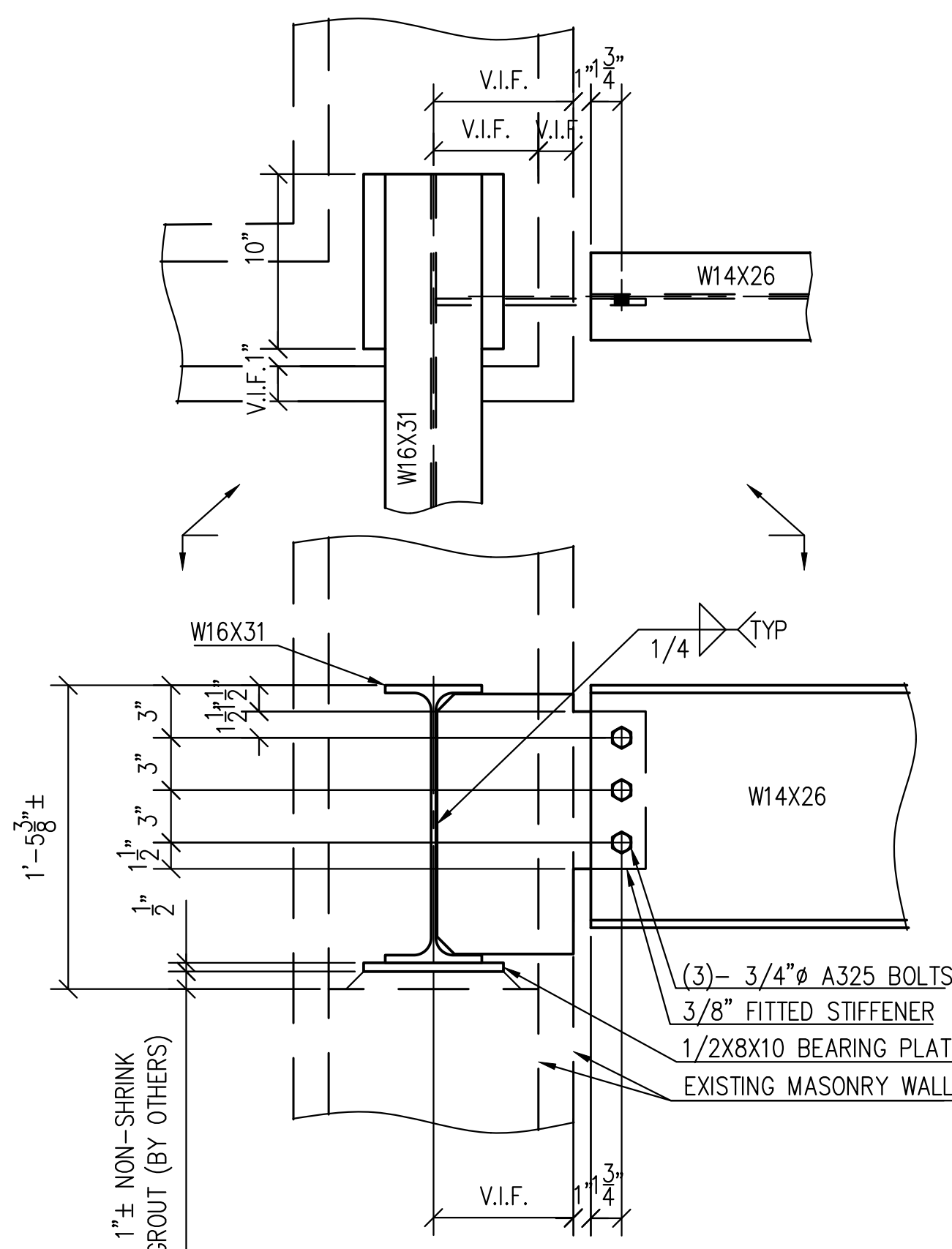
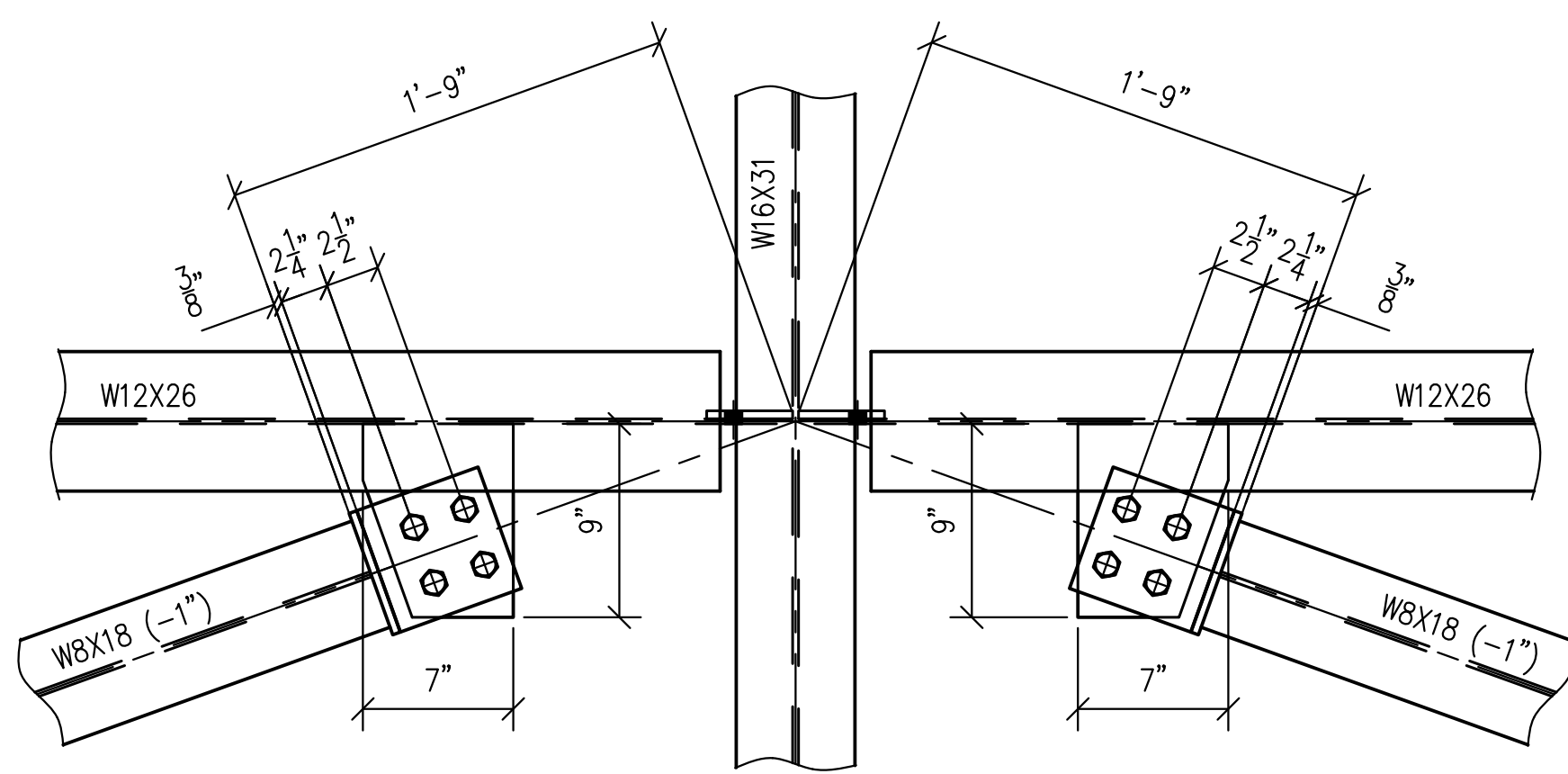
STEEL	PAINT	HOLES	BOLTS	ELECTRODES	
SEE NOTE	HOT-DIP GALVANIZED	13/16"Ø	3/4"Ø A325 (U.N.O.)	E7018 (U.N.O.)	
4/30/2020	STAR - RELEASE FOR FABRICATION	1	4/30/2020	FOR FAB. & ERECTION	
4/1/2020	PARTIAL RELEASE FOR FABRICATION	1	4/1/2020	FOR FAB. & ERECTION	
3/30/2020	PARTIAL RELEASE FOR FABRICATION	1	3/31/2020	FOR FAB. & ERECTION	
3/26/2020	PARTIAL RELEASE FOR FABRICATION	1	3/26/2020	FOR FAB. & ERECTION	
3/24/2020	PARTIAL RELEASE FOR FABRICATION	1	3/24/2020	FOR FAB. & ERECTION	
2/7/2020	REVISED PER DESIGN CHANGE	1	2/8/2020	APPROVAL	
	FIRST ISSUE	1	11/6/2019	APPROVAL	
NO.	DATE	COMMENTS	NO.	DATE	ISSUED FOR
REVISIONS			PRINT RECORD		

DWG TITLE
ROOF DUNNAGE
FRAMING, STAIR, & GUARDRAILS

PROJECT NAME

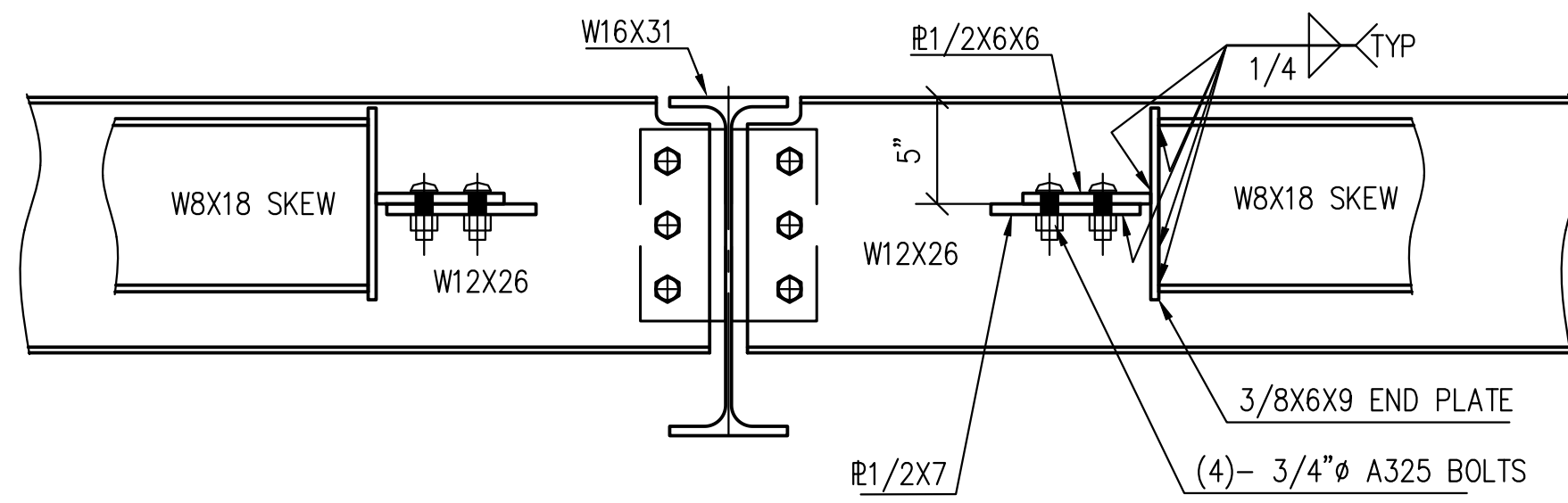
ARCHT		DWG REF	
ENGR		DWG REF	8-101.00
CONTR		DWG REF	8-102.00
DRN BY	CHK'D BY	JOB NO.	SEARCH
TS/OC		4550	-
DATE	DATE		DWG NO.
11/4/19			E4

NOTE:
STEEL TO BE AS FOLLOWS
1. WIDE FLANGE TO BE ASTM A992
2. CHANNELS, PLATES AND ANGLES TO BE ASTM A36
3. HSS TO BE ASTM A500 GRADE B



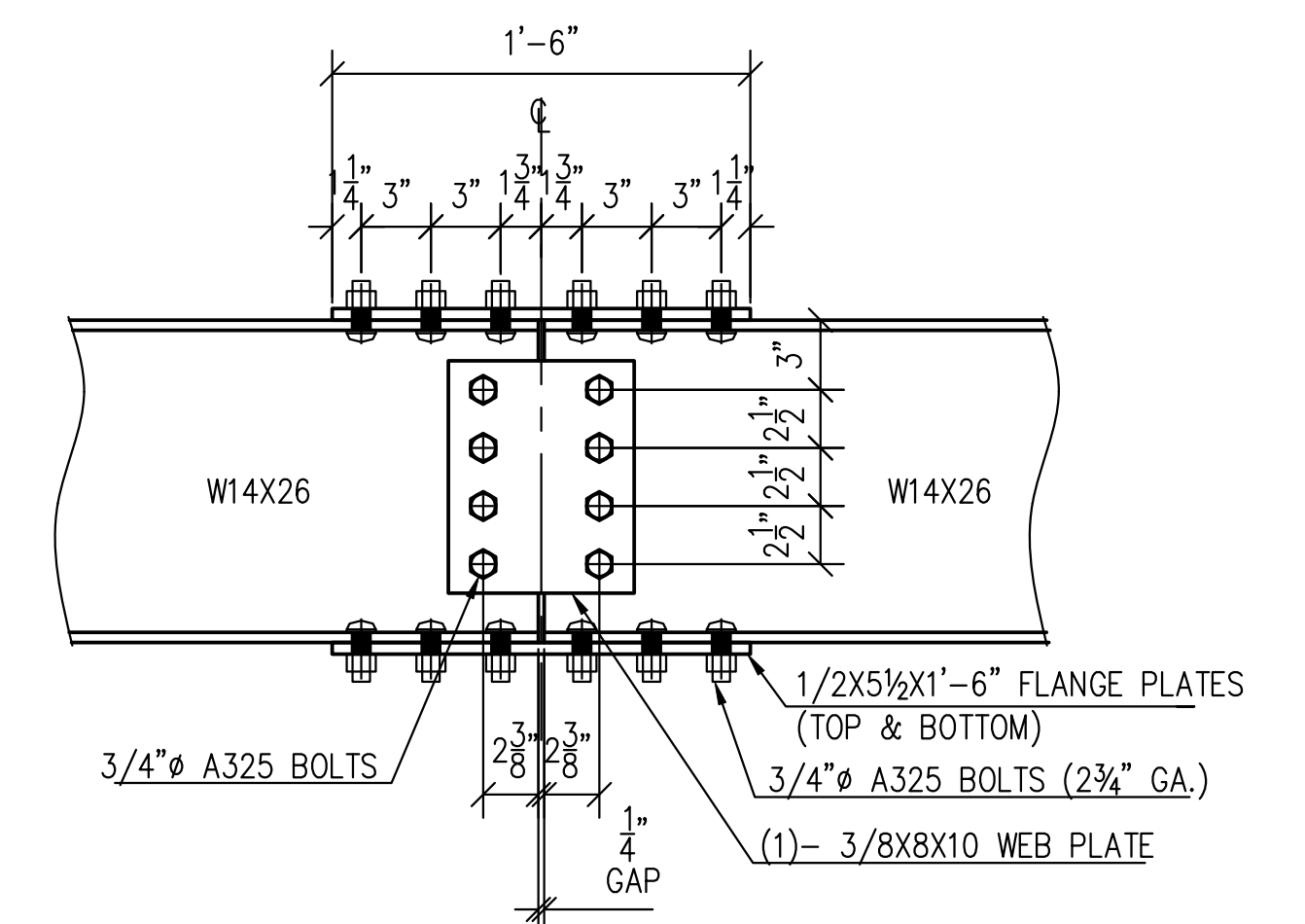
SEE TYPICAL CONNECTION
DETAILS FOR SHEAR PLATES

DETAIL 14
SCALE 1 1/2"=1'-0"

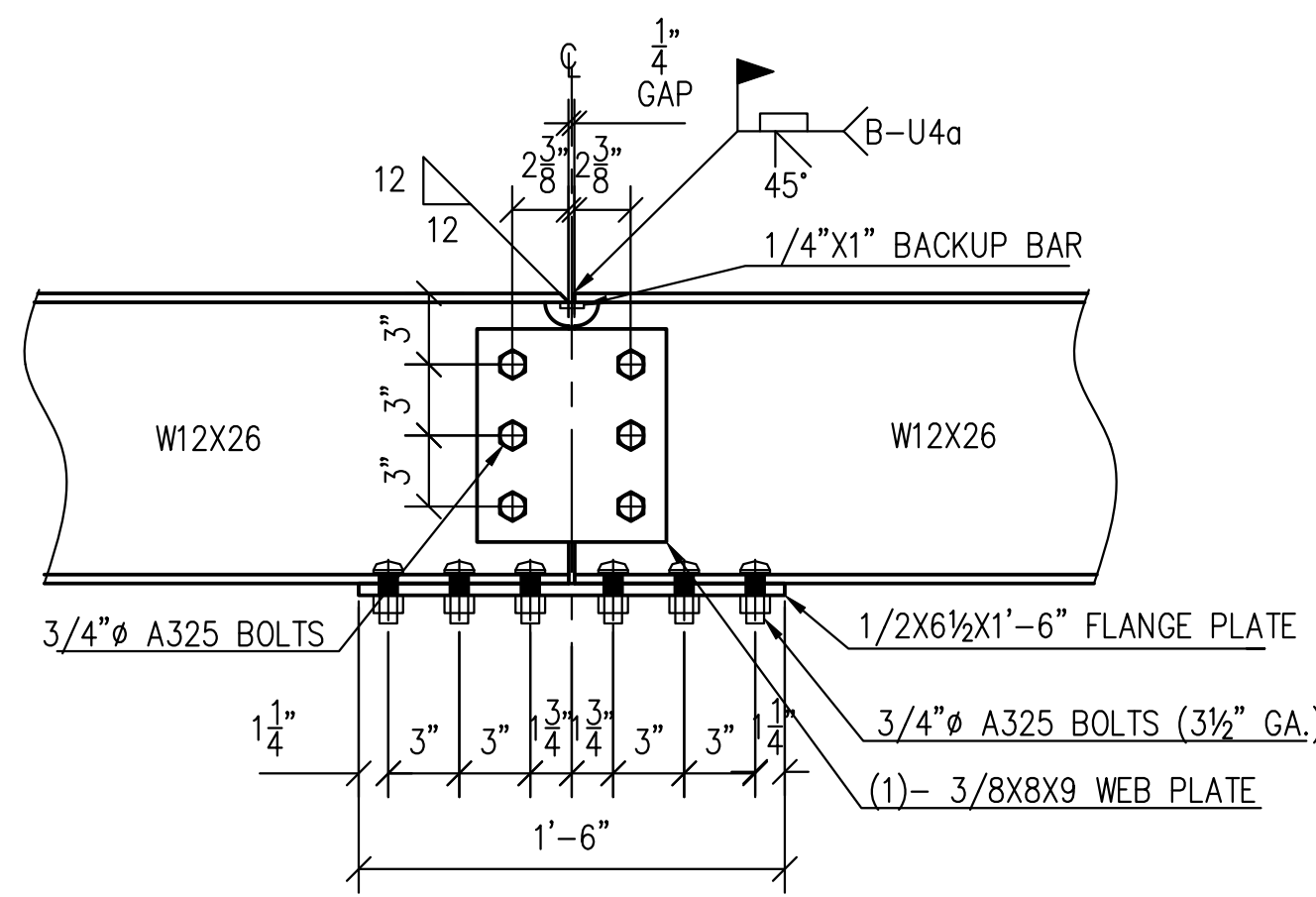


DETAIL 10
SCALE 1 1/2"=1'-0"

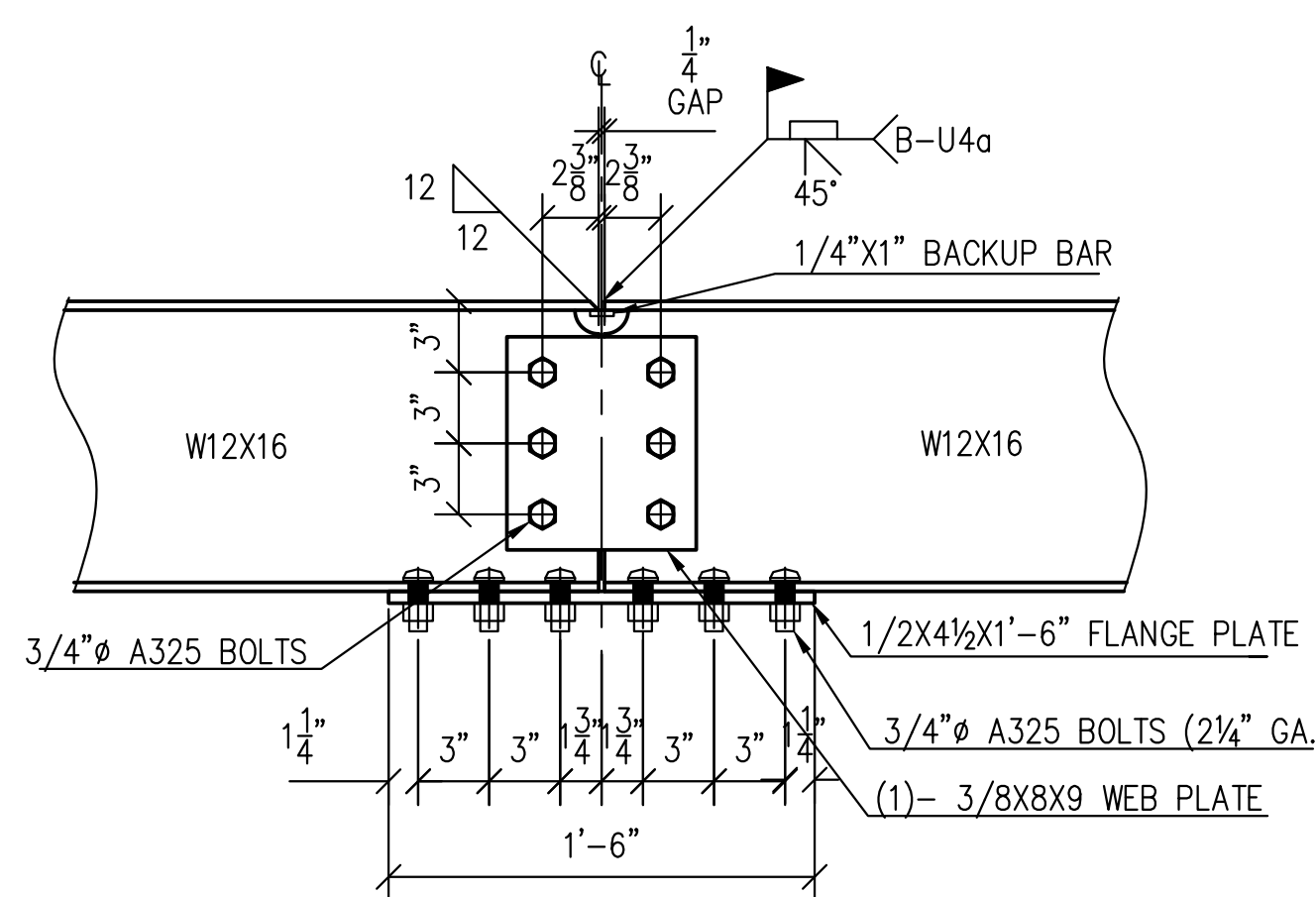
DETAIL 11
SCALE 1 1/2"=1'-0"



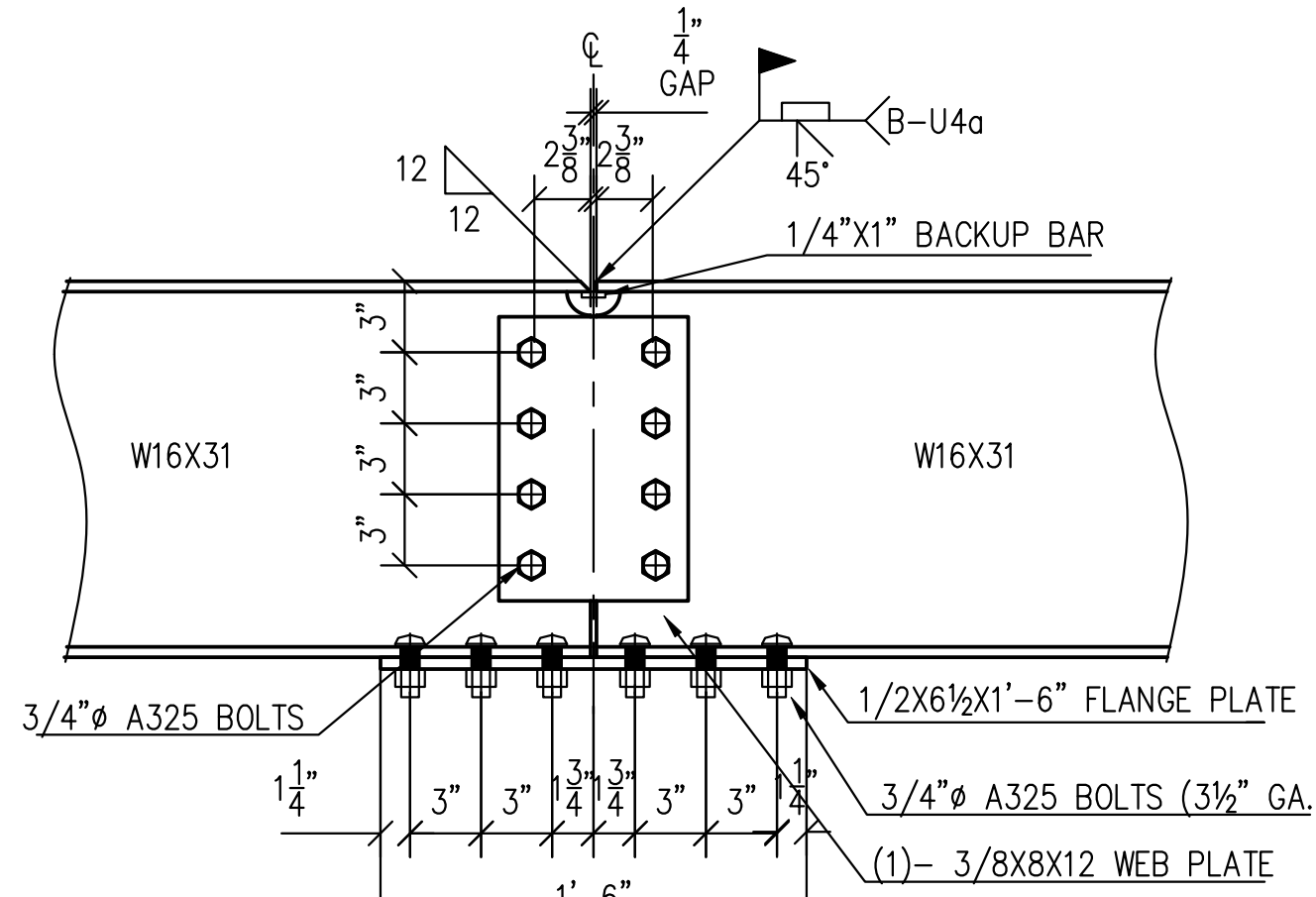
W14X26 SPLICE DETAIL
SCALE 1 1/2"=1'-0"



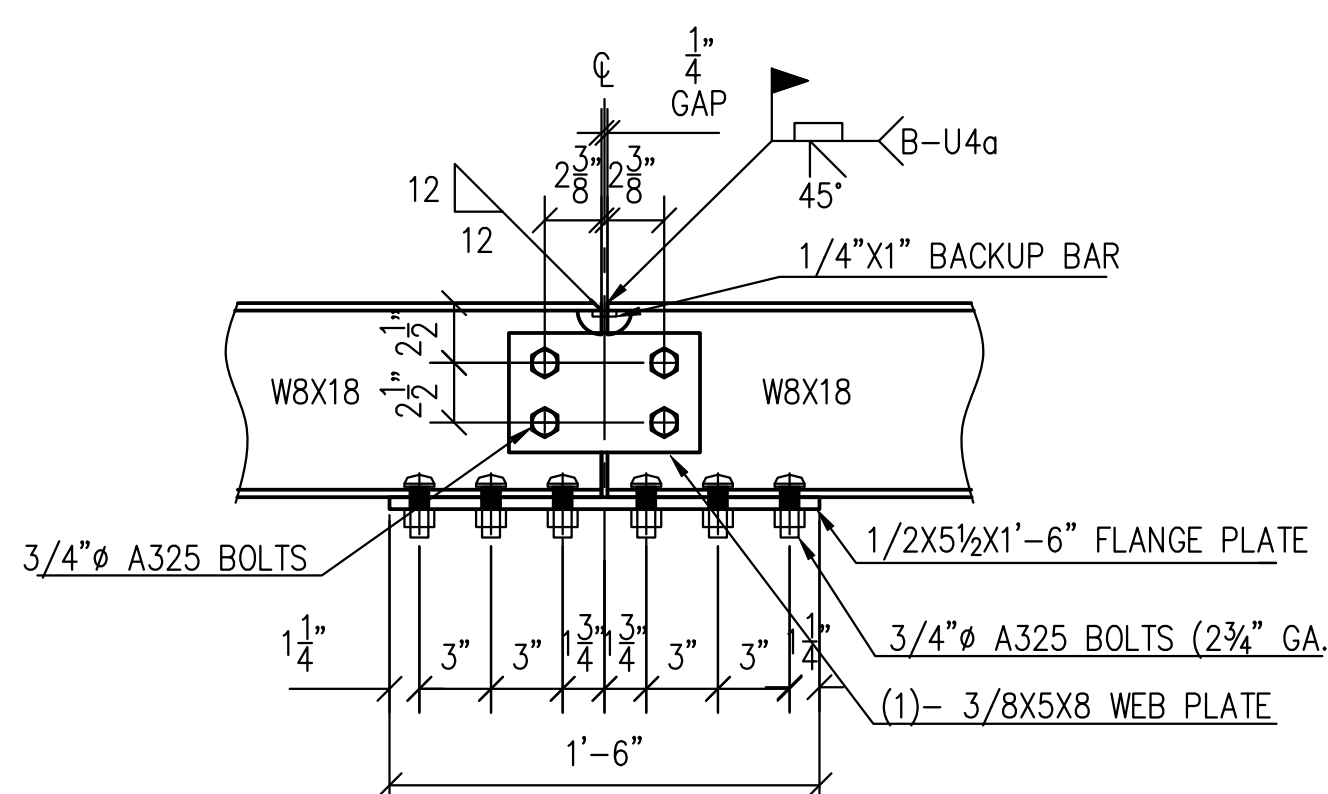
W12X26 SPLICE DETAIL
SCALE 1 1/2"=1'-0"



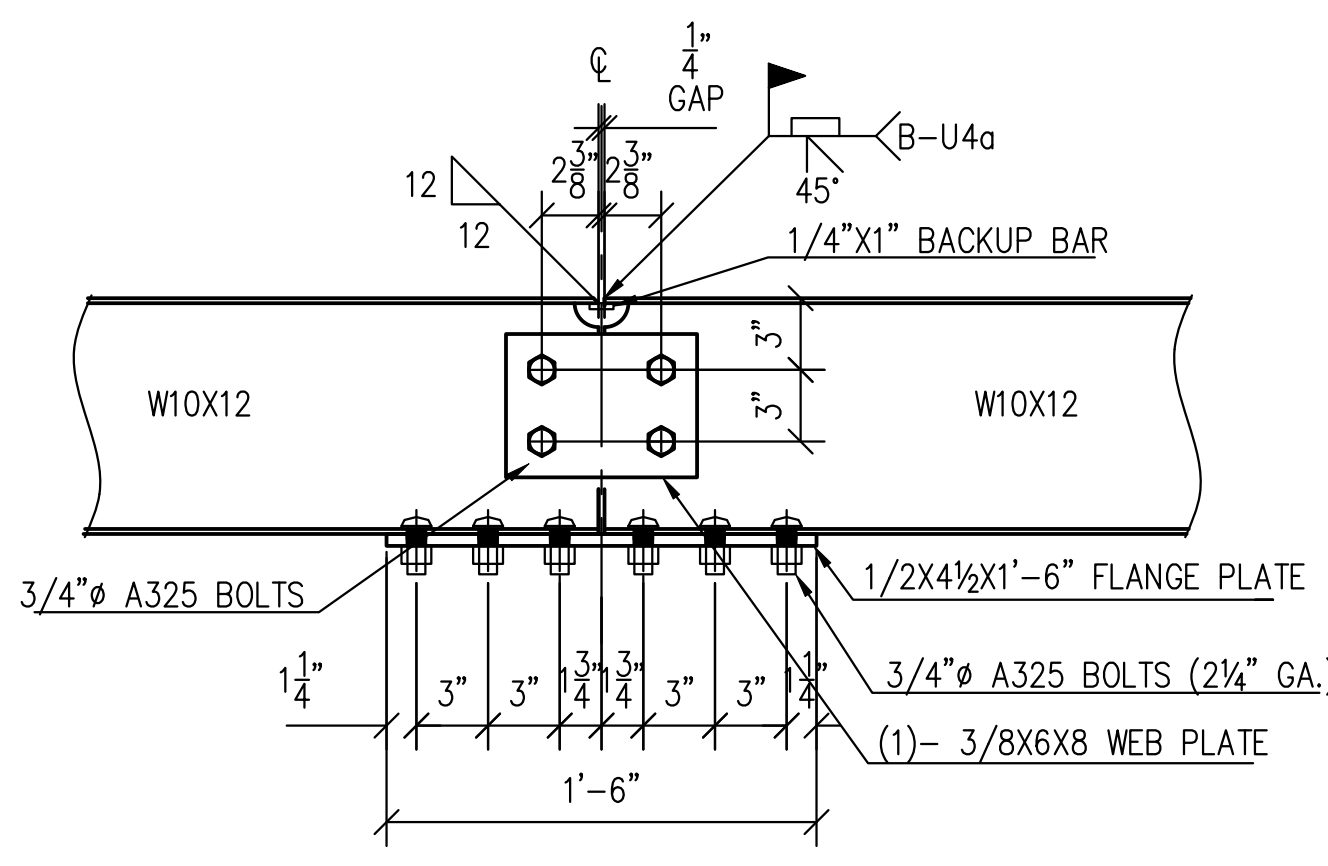
W12X16 SPLICE DETAIL
SCALE 1 1/2"=1'-0"



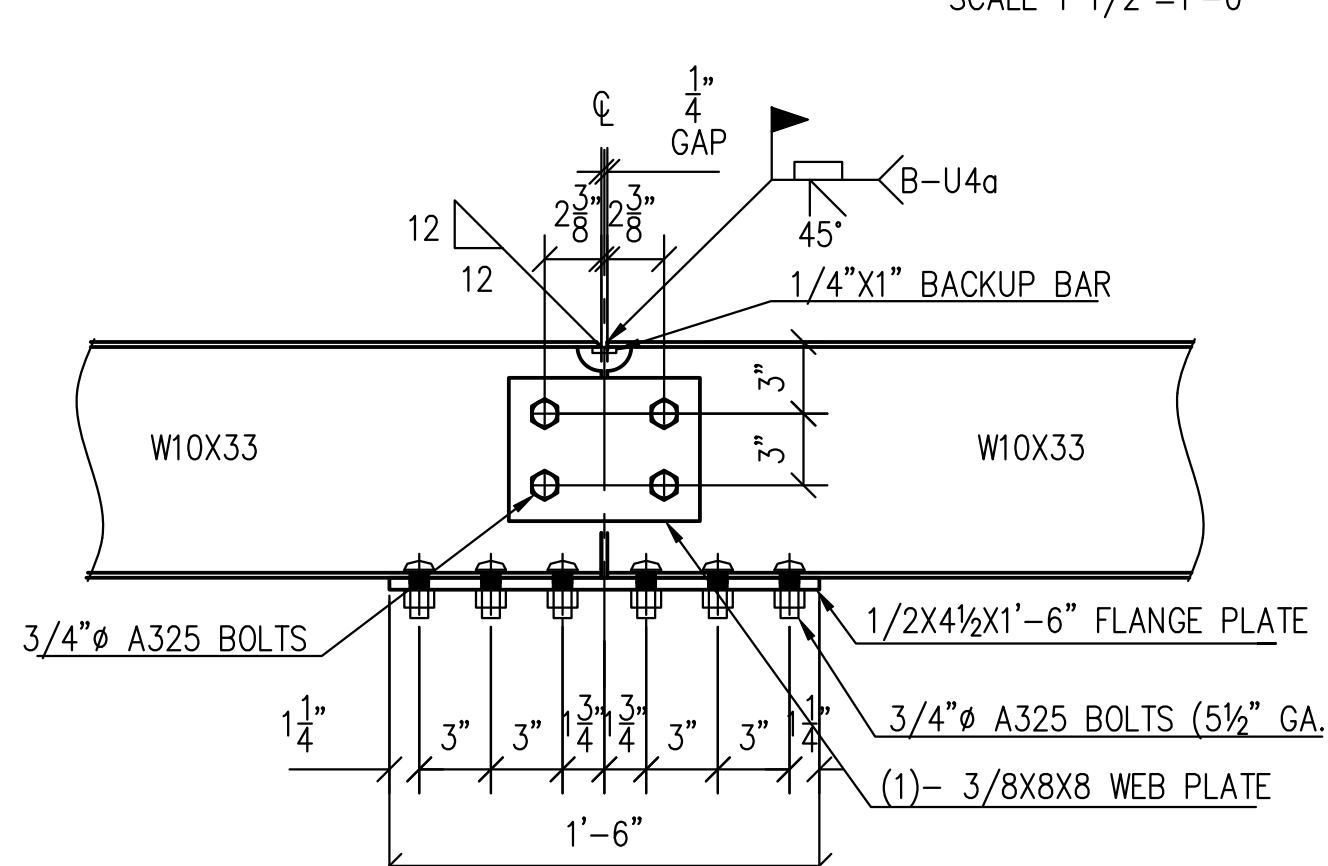
W16X31 SPLICE DETAIL
SCALE 1 1/2"=1'-0"



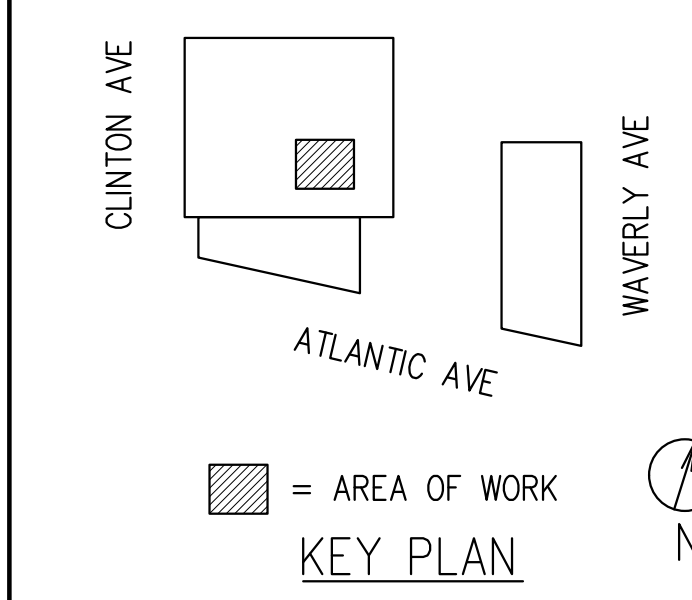
W8X18 SPLICE DETAIL
SCALE 1 1/2"=1'-0"



W10X12 SPLICE DETAIL
SCALE 1 1/2"=1'-0"



W10X33 SPLICE DETAIL
SCALE 1 1/2"=1'-0"

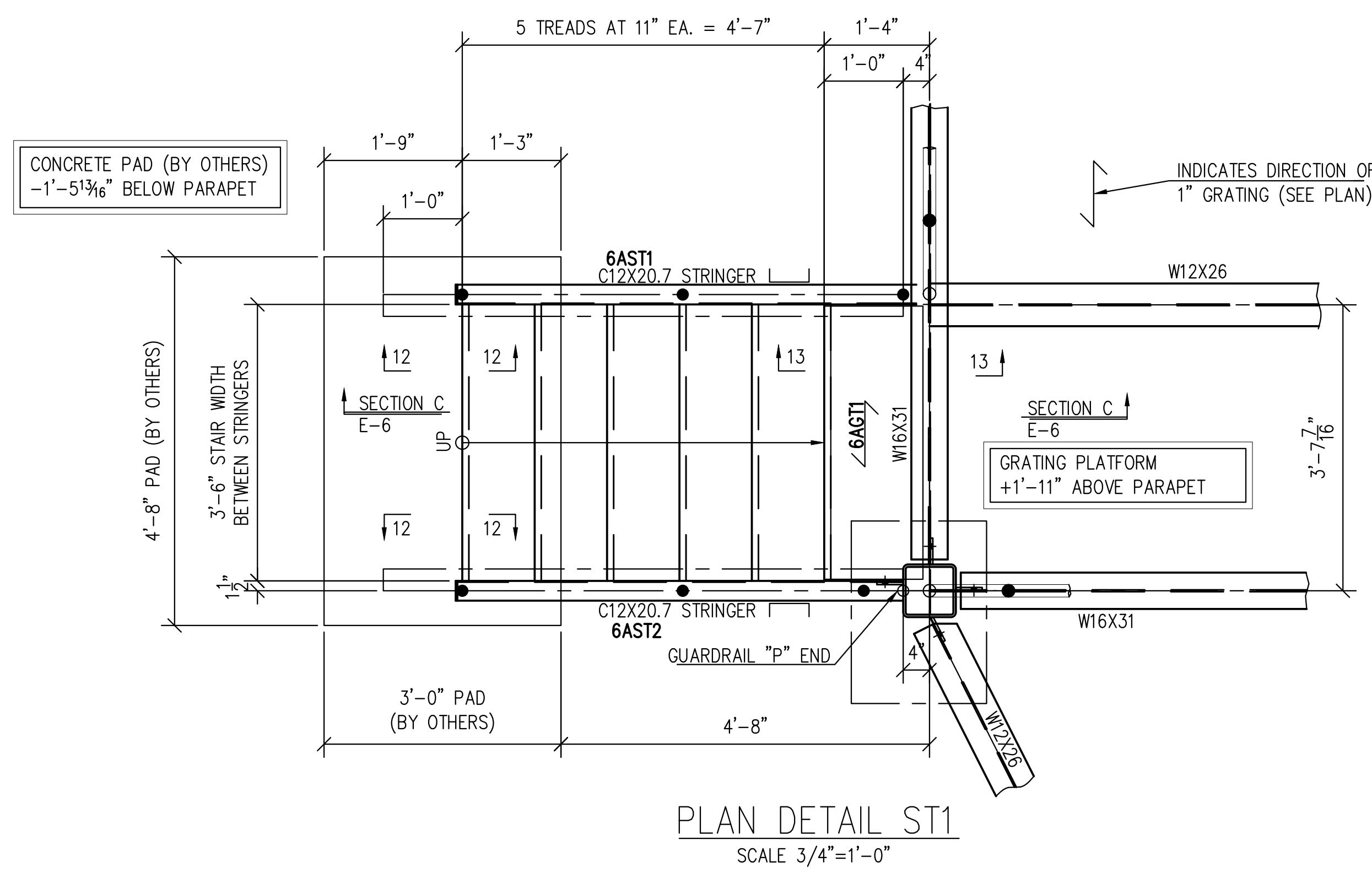


FOR FAB. & ERECTION:
4/30/2020

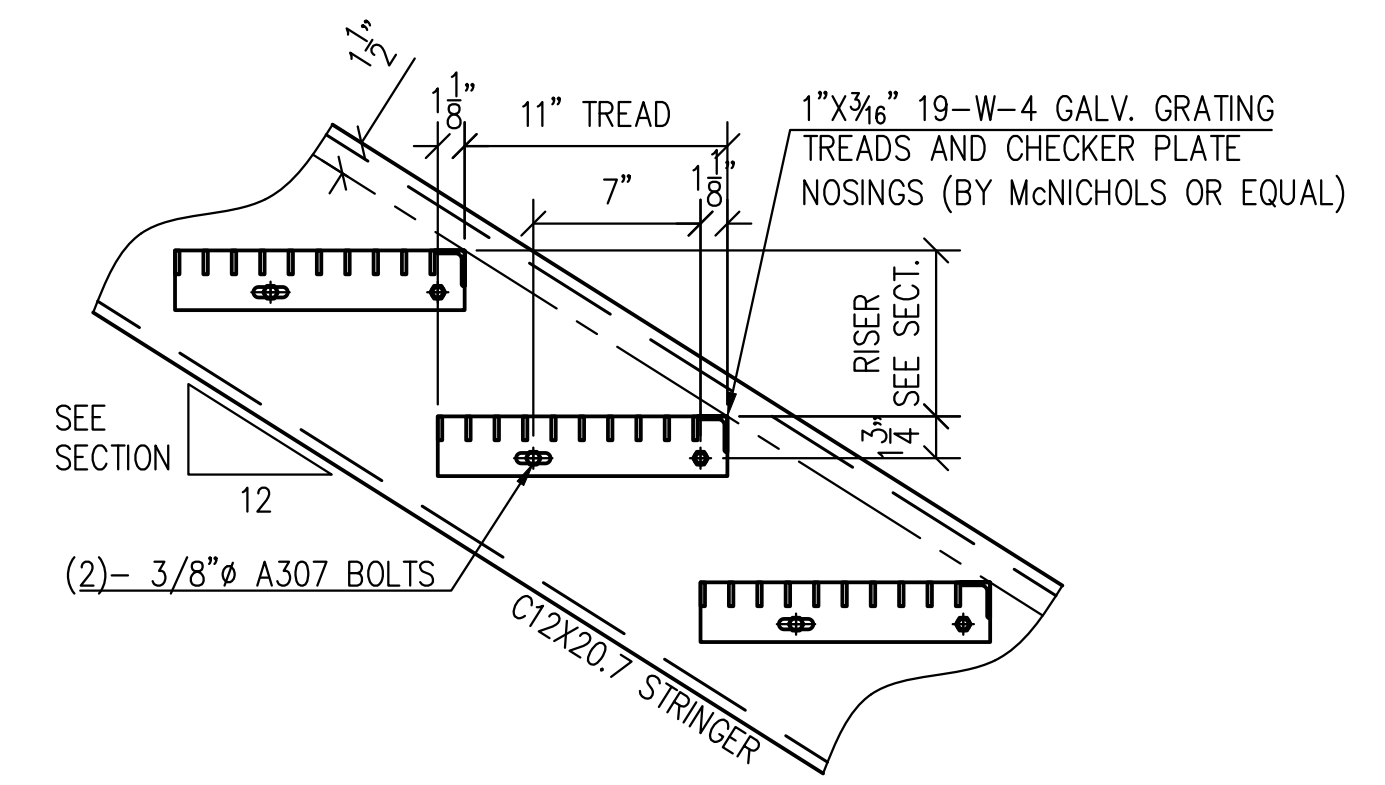
NOTE:
STEEL TO BE AS FOLLOWS
1. WIDE FLANGE TO BE ASTM A992
2. CHANNELS, PLATES AND ANGLES TO BE ASTM A36
3. HSS TO BE ASTM A500 GRADE B

STEE	PAINT	HOLES	BOLTS	ELECTRODES	
SEE NOTE	HOT-DIP GALVANIZED	13/16"Ø	3/4"Ø A325 (U.N.O.)	E7018 (U.N.O.)	
4/30/2020	STAIR - RELEASE FOR FABRICATION	1	4/30/2020	FOR FAB. & ERECTION	
4/1/2020	PARTIAL RELEASE FOR FABRICATION	1	4/1/2020	FOR FAB. & ERECTION	
3/30/2020	PARTIAL RELEASE FOR FABRICATION	1	3/31/2020	FOR FAB. & ERECTION	
3/26/2020	PARTIAL RELEASE FOR FABRICATION	1	3/26/2020	FOR FAB. & ERECTION	
3/24/2020	PARTIAL RELEASE FOR FABRICATION	1	3/24/2020	FOR FAB. & ERECTION	
2/7/2020	REVISED PER DESIGN CHANGE	1	2/8/2020	APPROVAL	
	FIRST ISSUE	1	1/6/2019	APPROVAL	
NO.	DATE	COMMENTS	NO.	DATE	ISSUED FOR
REVISIONS			PRINT RECORD		

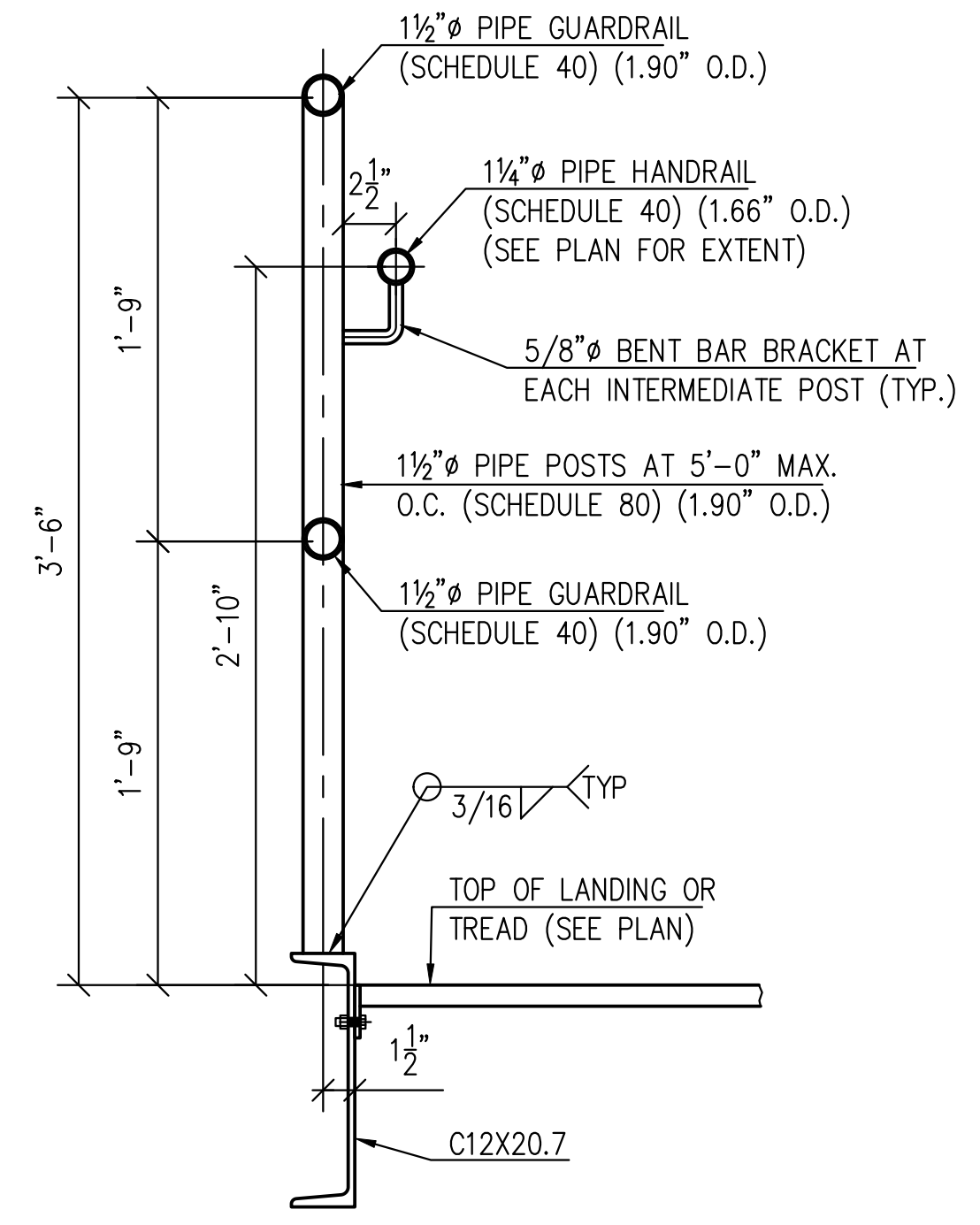
DWG TITLE		ROOF DUNNAGE FRAMING, STAIR, & GUARDRAILS	
PROJECT NAME			
ARCHT		DWG REF	
ENGR		DWG REF	8-101.00
CONTR		DWG REF	8-102.00
DRN BY	CHK'D BY	JOB NO.	SEARCH
TS/OC		4550	
DATE	DATE		DWG NO.
11/4/19			E5



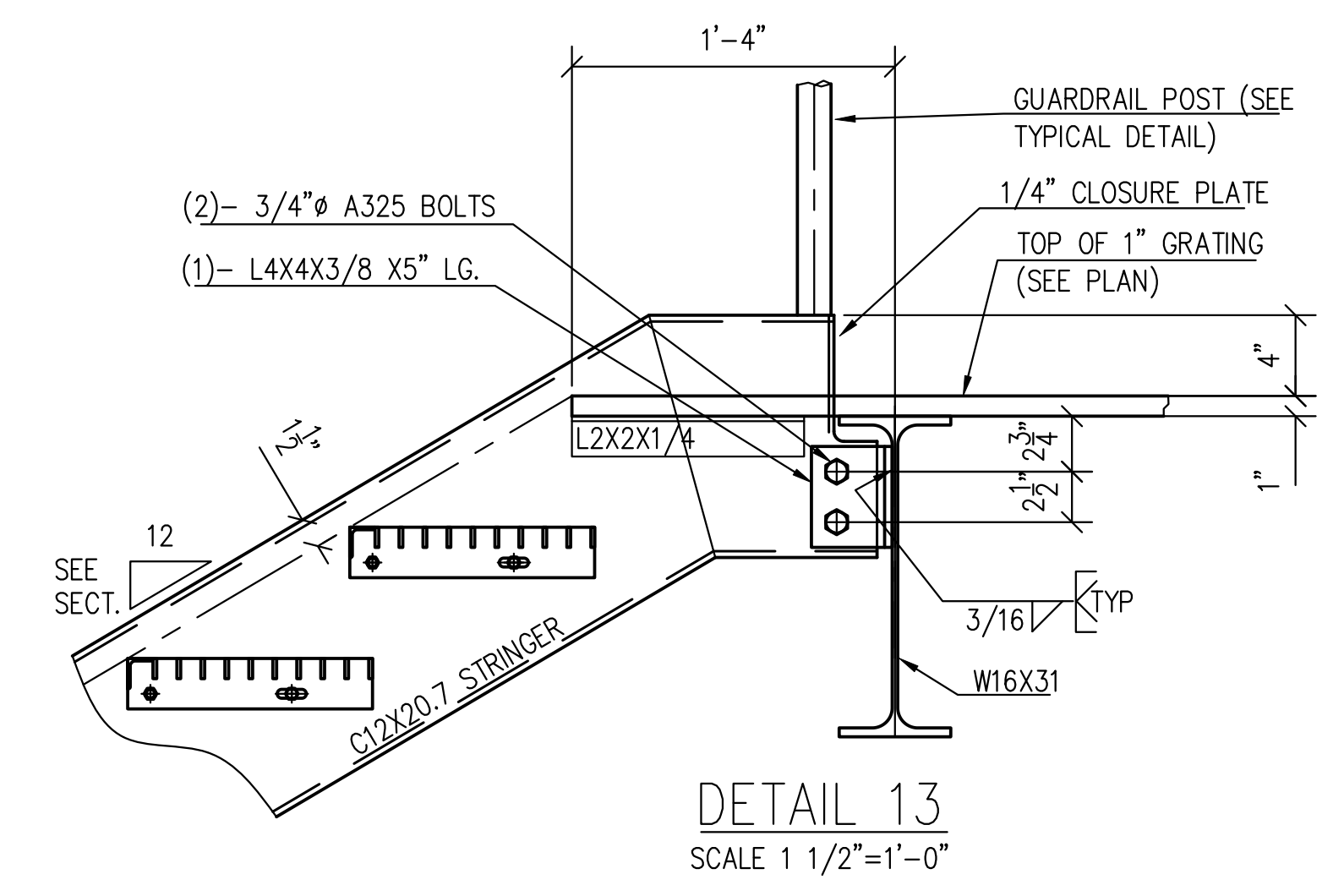
PLAN DETAIL ST1
SCALE 3/4"=1'-0"



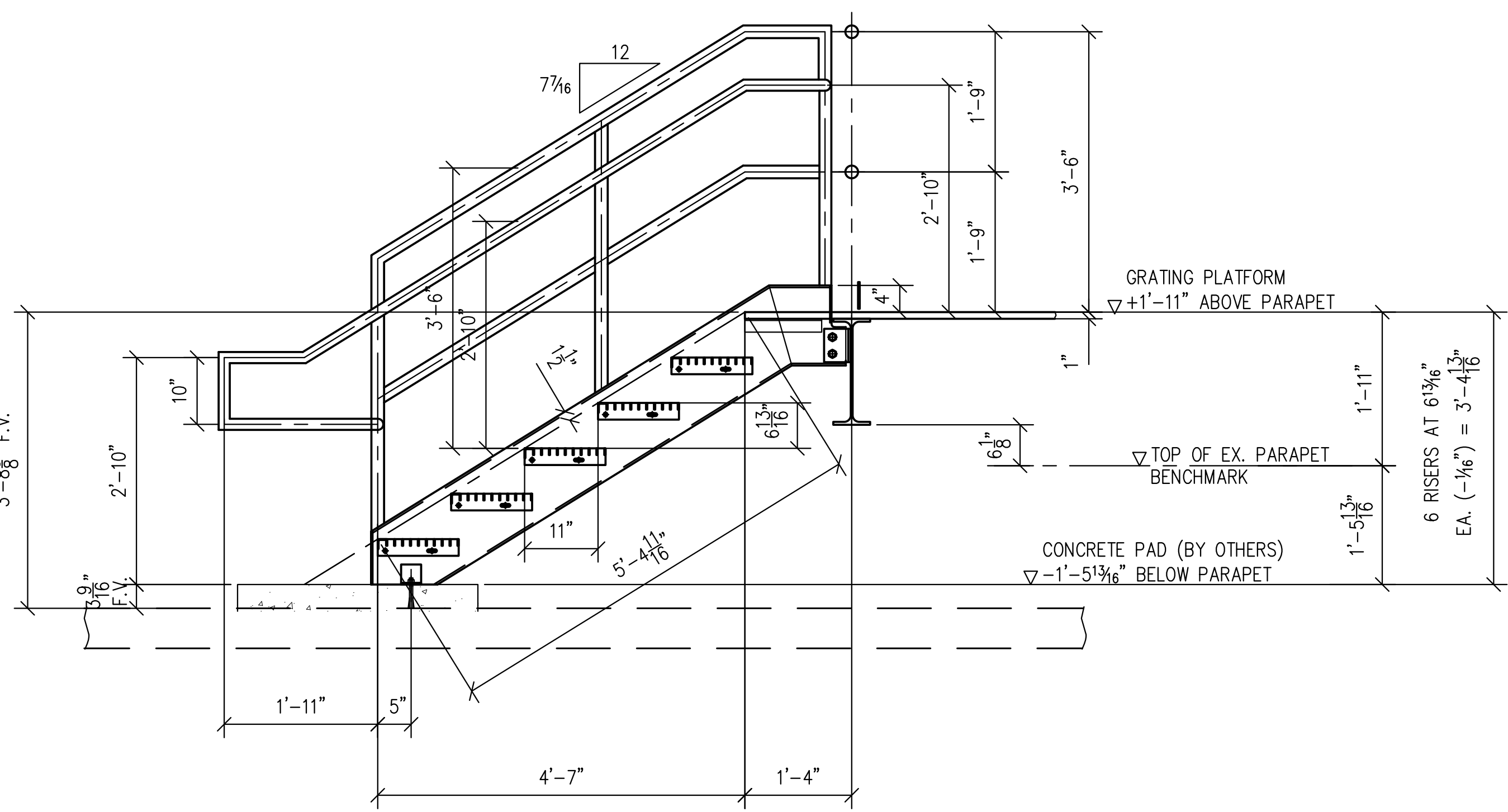
TYPICAL TREAD DETAIL
SCALE 1 1/2"=1'-0"



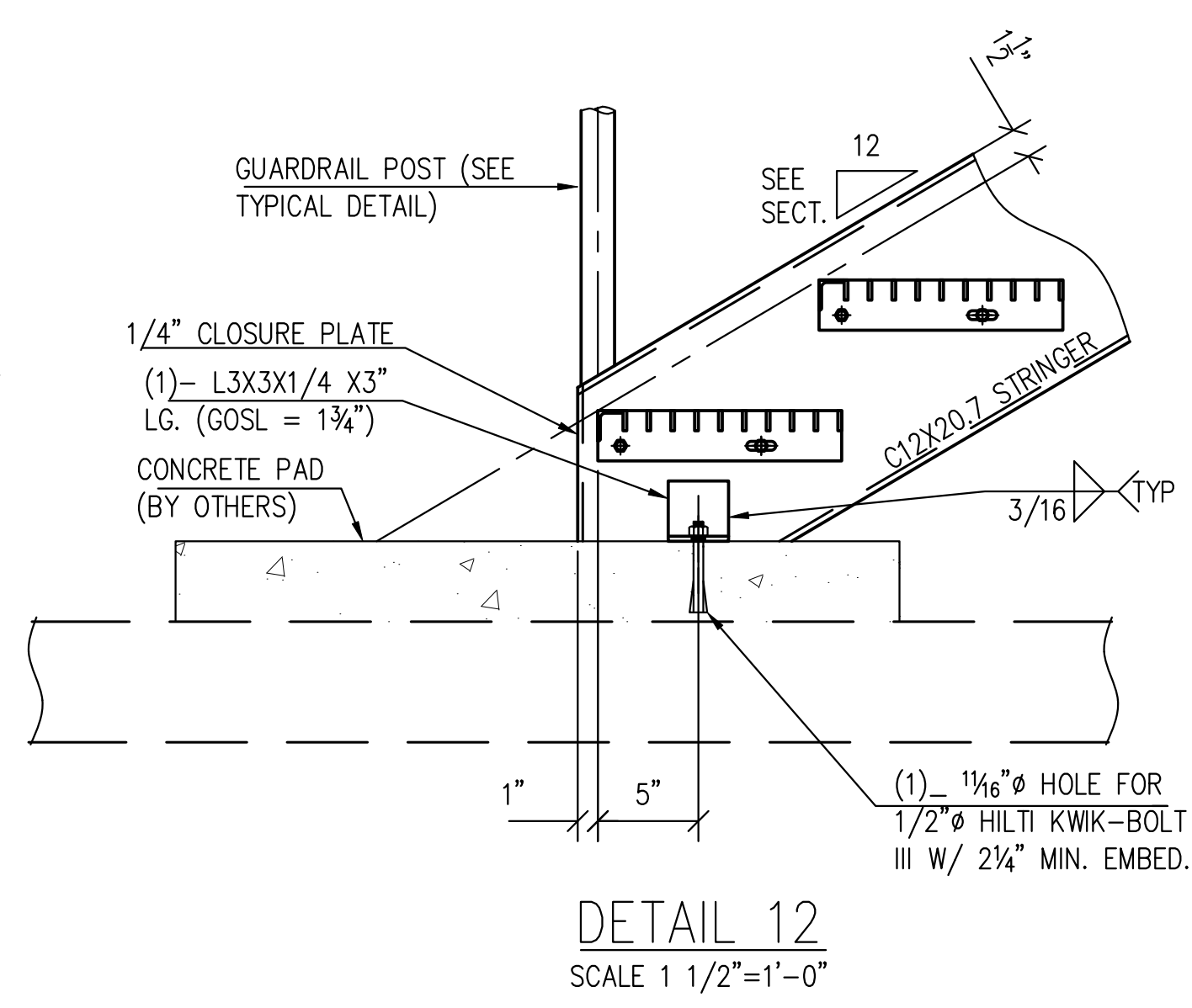
TYPICAL GUARDRAIL DETAIL
SCALE 1 1/2"=1'-0"



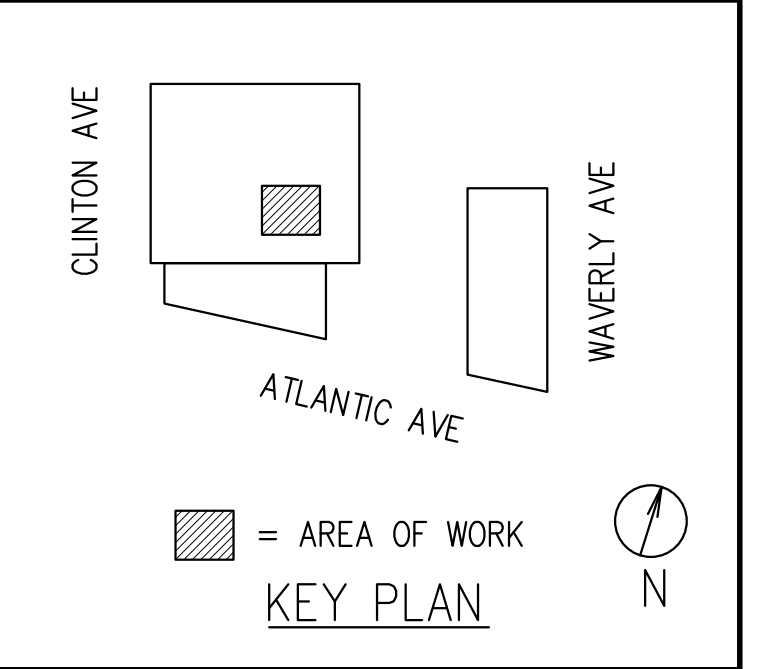
DETAIL 13
SCALE 1 1/2"=1'-0"



SECTION C
SCALE 3/4"=1'-0"



DETAIL 12
SCALE 1 1/2"=1'-0"



PLAN NORTH

THE FOLLOWING NOTES ARE AN INTEGRAL OF THIS DRAWING AND OUR CONTRACT:

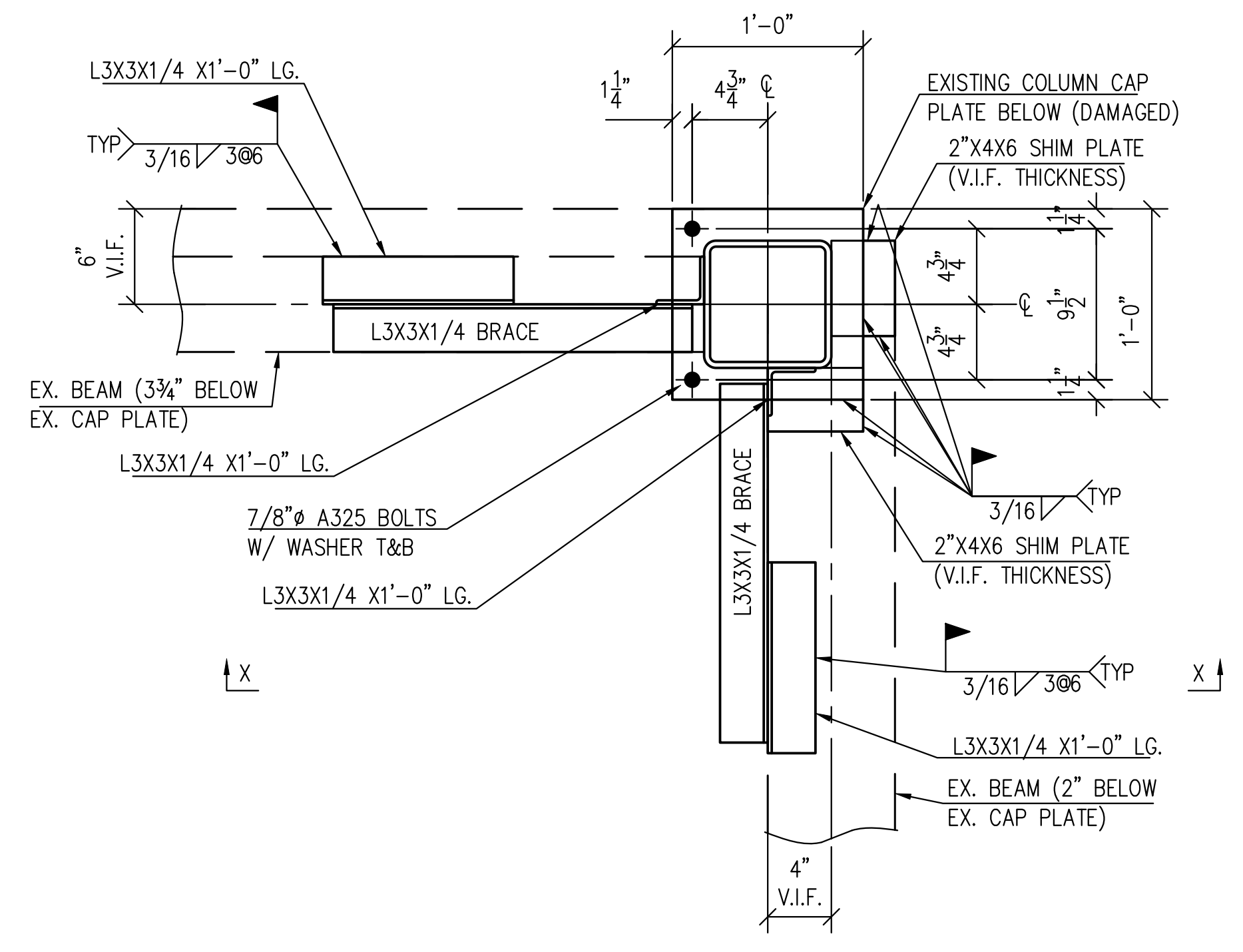
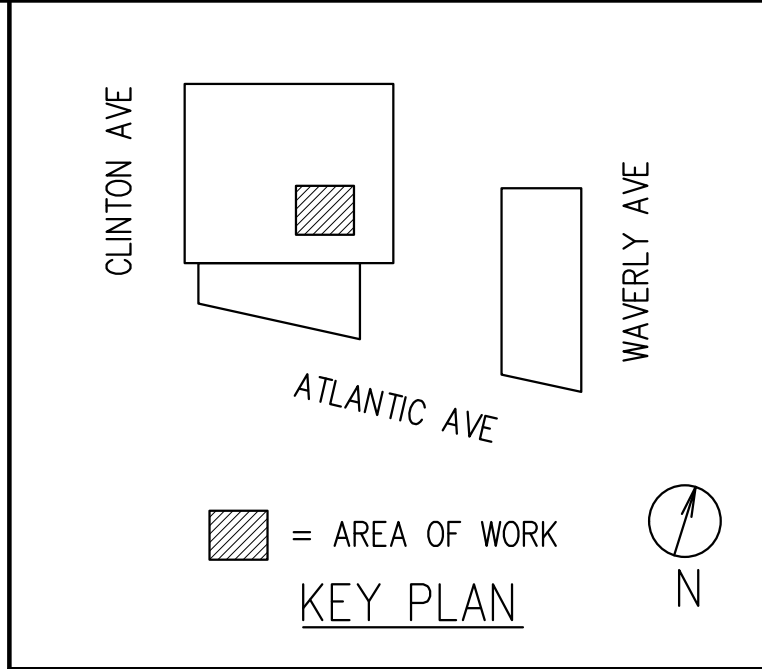
- 1) THE C.C. IS TO RETURN ONE UNWRAPPED COPY TO OUR OFFICE. We require review by both the architect and engineer.
- 2) If Architect/Engineer marks up drawing "REVISED" we will continue this action to meet. We are in compliance with contract documents and in fact, these drawings are "REVISED" or "APPROVED" AS NOTED unless specifically stated otherwise.
- 3) These drawings are our interpretation of what is necessary to meet your specifications. It is most important, therefore, that they are checked by the C.C./Architect/Engineer against drawings provided by other trades to ensure proper installation to those remaining materials.
- 4) This drawing is for the exclusive use of Hidden Steel.
- 5) Work items must be free of all obstructions prior to steel installation date. This includes ducts, pipes, electrical work, and all other obstructions which prevent direct vertical lift of steel to its final location.
- 6) Should roof or slab penetrations be required, the C.C. is responsible for all roof or slab protection, penetrations and subsequent fire stopping, waterproofing, flashing, etc.
- 7) Location of holes, cuts, calls for other trades, if required by our contract, MUST be shown and verified by others on the drawing when submitted for approval.
- 8) Do not scale this drawing.
- 9) New steel is shown as [] existing steel is shown as []

STEEL	PAINT	HOLES	BOLTS	ELECTRODES	
SEE NOTE	HOT-DIPPED GALVANIZED	13/16"Ø	3/4"Ø A325 (U.N.O.)	E7018 (U.N.O.)	
4/30/2020	STAR - RELEASE FOR FABRICATION	1	4/30/2020	FOR FAB. & ERECTION	
4/1/2020	PARTIAL RELEASE FOR FABRICATION	1	4/1/2020	FOR FAB. & ERECTION	
3/30/2020	PARTIAL RELEASE FOR FABRICATION	1	3/31/2020	FOR FAB. & ERECTION	
3/26/2020	PARTIAL RELEASE FOR FABRICATION	1	3/26/2020	FOR FAB. & ERECTION	
3/24/2020	PARTIAL RELEASE FOR FABRICATION	1	3/24/2020	FOR FAB. & ERECTION	
2/7/2020	REVISED PER DESIGN CHANGE	1	2/8/2020	APPROVAL	
	FIRST ISSUE	1	1/6/2019	APPROVAL	
NO.	DATE	COMMENTS	NO.	DATE	ISSUED FOR
REVISIONS			PRINT RECORD		

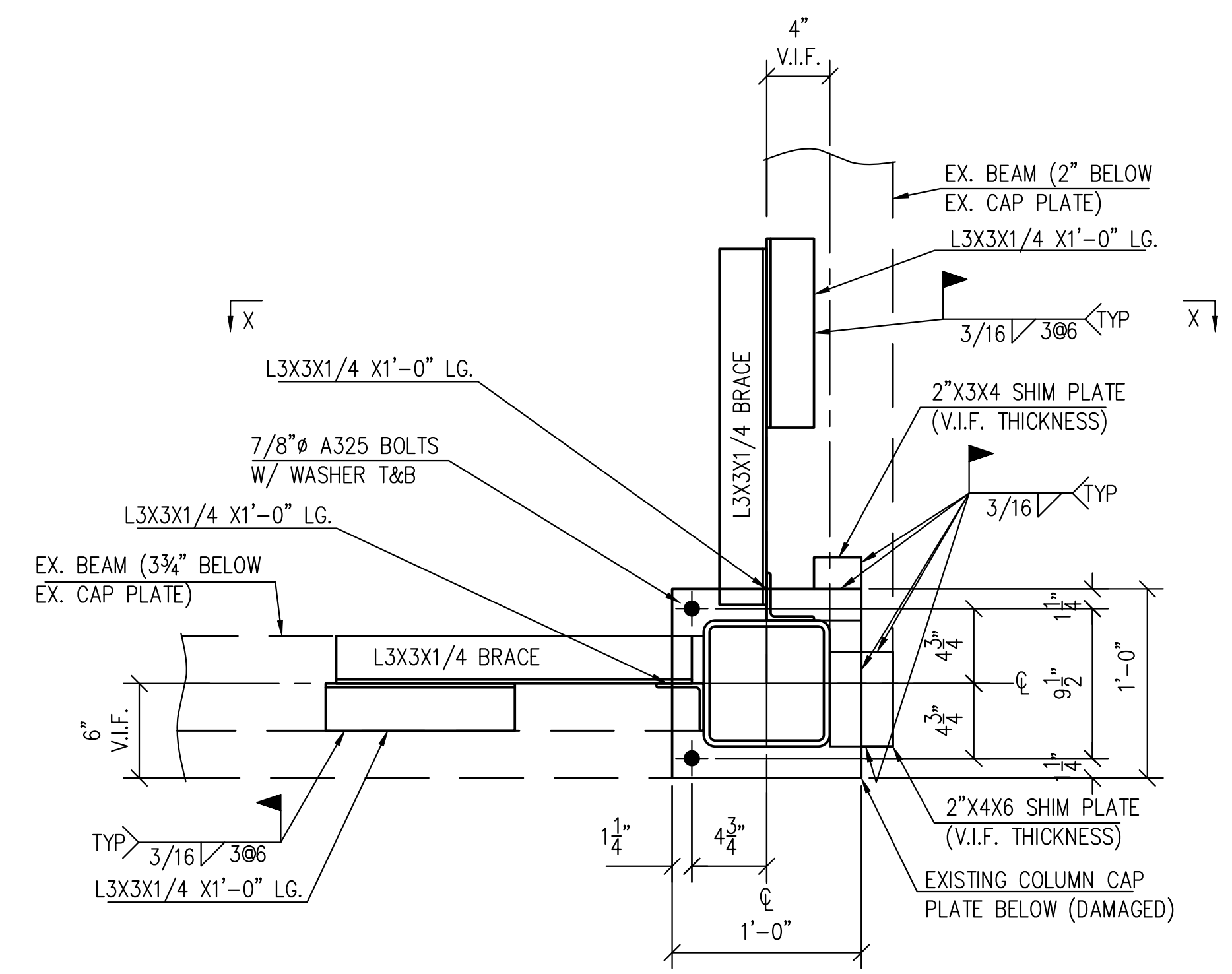
FOR FAB. & ERECTION:
4/30/2020

NOTE:
STEEL TO BE AS FOLLOWS
1. WIDE FLANGE TO BE ASTM A992
2. CHANNELS, PLATES AND ANGLES TO BE ASTM A36
3. HSS TO BE ASTM A500 GRADE B

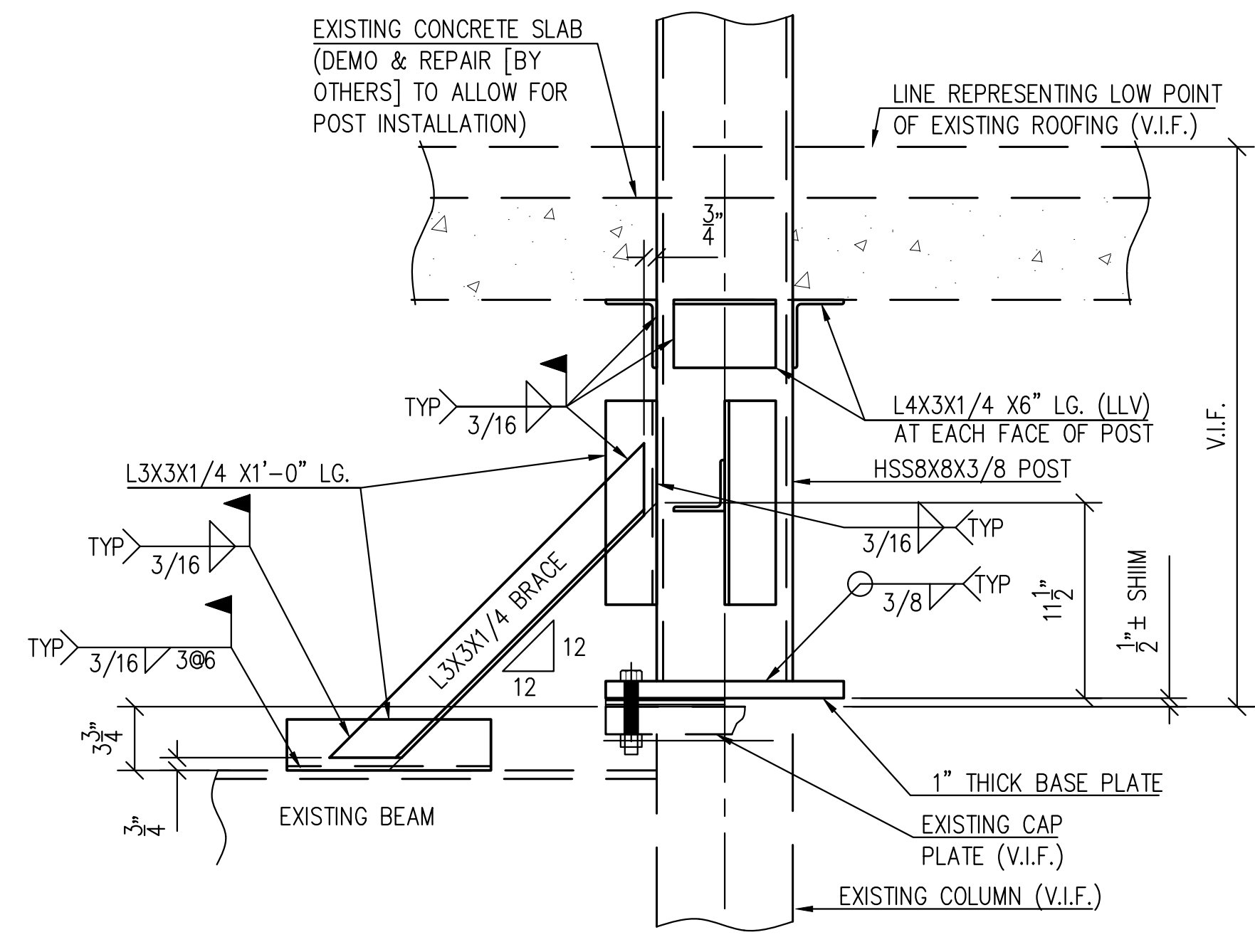
DWG TITLE		ROOF DUNNAGE FRAMING, STAIR, & GUARDRAILS	
PROJECT NAME			
ARCHT		DWG REF	
ENGR		DWG NO	8-101.00
CONTR		SUPER	
DRN BY	CHK'D BY	JOB NO.	SEARCH
TS/OC			
DATE	DATE	4550	E6
11/4/19			



DETAIL 15
COLUMN 33
SCALE 1 1/2"=1'-0"



DETAIL 16
COLUMN 35
SCALE 1 1/2"=1'-0"



SECTION X-X
SCALE 1 1/2"=1'-0"

PLAN NORTH

THE FOLLOWING NOTES ARE AN INTEGRAL OF THIS DRAWING AND OUR CONTRACT:

- 1) THE C.C. IS TO RETURN ONE UNWRAPPED COPY TO OUR OFFICE. We require review by both the architect and engineer.
- 2) If Architect/Engineer marks up drawing "REVISED" we will continue this action to mean we are in compliance with contract documents and in fact, these drawings are "REVISED" or "APPROVED" as NOTED unless specifically stated otherwise.
- 3) These drawings are our interpretation of what is necessary to meet your specifications. It is most important, therefore, that they are checked by the C.C./Architect/Engineer against drawings provided by other trades to ensure proper installation by those remaining trades.
- 4) This drawing is for the exclusive use of Hidden Steel.
- 5) Work areas must be free of all obstructions prior to steel installation date. This includes ducts, pipes, electrical work, and all other obstructions which prevent direct vertical lift of steel to its final location.
- 6) Should roof or slab penetrations be required, the C.C. is responsible for all roof or slab protection, penetrations and subsequent fire stopping, waterproofing, flashing, etc.
- 7) Location of holes, dips, cuts for other trades, if required by our contract, MUST be shown and verified by others on this drawing when submitted for approval.
- 8) Do not scale this drawing.
- 9) New steel is shown as [] existing steel is shown as []

STEEL	PAINT	HOLES	BOLTS	ELECTRODES	
SEE NOTE	HOT-DIP GALVANIZED	13/16"Ø	3/4"Ø A325 (U.N.O.)	E7018 (U.N.O.)	
4/30/2020	STAR - RELEASE FOR FABRICATION	1	4/30/2020	FOR FAB. & ERECTION	
4/1/2020	PARTIAL RELEASE FOR FABRICATION	1	4/1/2020	FOR FAB. & ERECTION	
3/30/2020	PARTIAL RELEASE FOR FABRICATION	1	3/31/2020	FOR FAB. & ERECTION	
3/26/2020	PARTIAL RELEASE FOR FABRICATION	1	3/26/2020	FOR FAB. & ERECTION	
3/24/2020	PARTIAL RELEASE FOR FABRICATION	1	3/24/2020	FOR FAB. & ERECTION	
2/7/2020	REVISED PER DESIGN CHANGE	1	2/8/2020	APPROVAL	
	FIRST ISSUE	1	11/6/2019	APPROVAL	
NO.	DATE	COMMENTS	NO.	DATE	ISSUED FOR
REVISIONS			PRINT RECORD		

FOR FAB. & ERECTION:
4/30/2020

NOTE:
STEEL TO BE AS FOLLOWS
1. WIDE FLANGE TO BE ASTM A992
2. CHANNELS, PLATES AND ANGLES TO BE ASTM A36
3. HSS TO BE ASTM A500 GRADE B

DWG TITLE: ROOF DUNNAGE FRAMING, STAIR, & GUARDRAILS

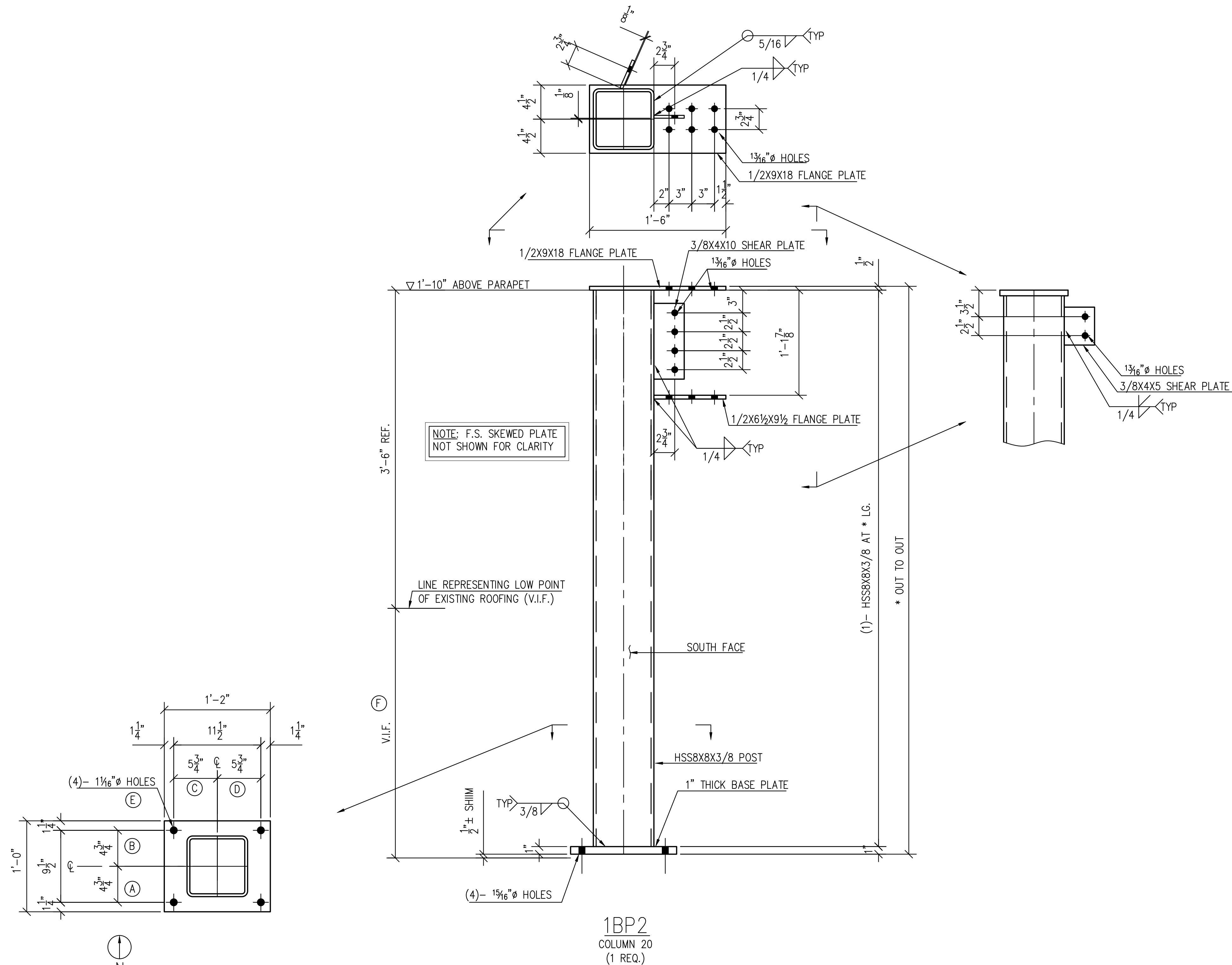
PROJECT NAME:

ARCHT: _____ DWG REF: _____

ENGR: _____ DWG REF: S-101.00

CONTR: _____ SUPER: _____

DRN BY	CHK'D BY	JOB NO.	SEARCH	DWG NO.
TS/OC		4550	-	E7
DATE	DATE			
11/4/19				



NOTE: F.S. SKEWED PLATE NOT SHOWN FOR CLARITY

FOR FAB. & ERECTION:
4/30/2020

NOTE:
STEEL TO BE AS FOLLOWS
1. WIDE FLANGE TO BE ASTM A992
2. CHANNELS, PLATES AND ANGLES TO BE ASTM A36
3. HSS TO BE ASTM A500 GRADE B

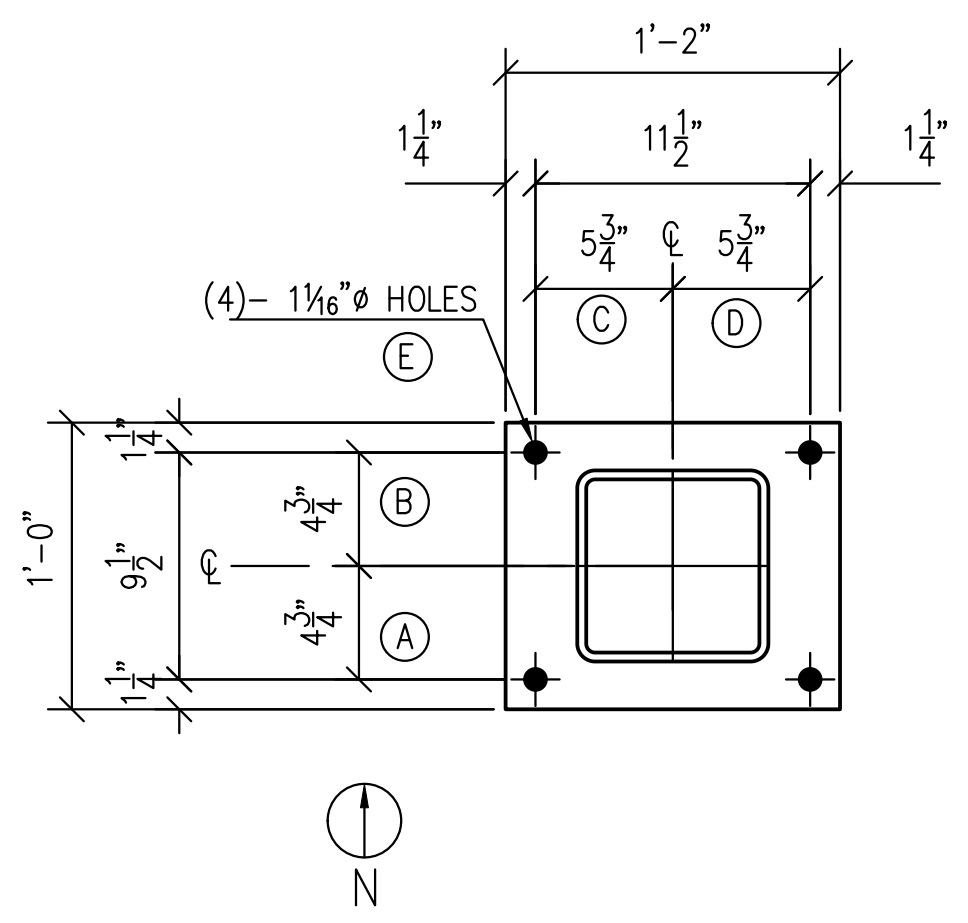
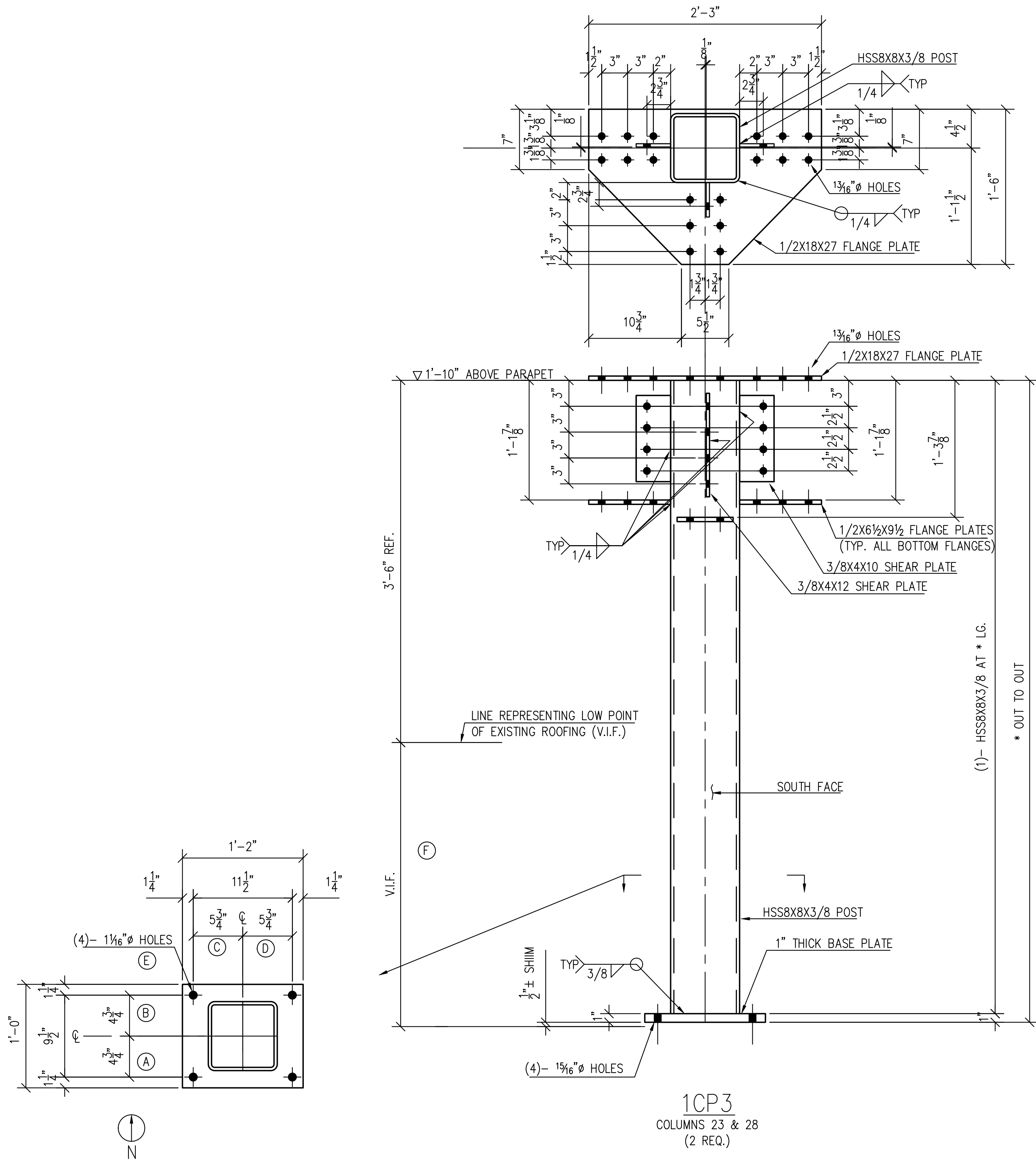
STEE	PAINT	HOLES	BOLTS	ELECTRODES	
SEE NOTE	HOT-DIP GALVANIZED	13/16"Ø	3/4"Ø A325 (U.N.O.)	E7018 (U.N.O.)	
4/30/2020	STAR - RELEASE FOR FABRICATION	1	4/30/2020	FOR FAB. & ERECTION	
4/1/2020	PARTIAL RELEASE FOR FABRICATION	1	4/1/2020	FOR FAB. & ERECTION	
3/30/2020	PARTIAL RELEASE FOR FABRICATION	1	3/31/2020	FOR FAB. & ERECTION	
3/26/2020	PARTIAL RELEASE FOR FABRICATION	1	3/26/2020	FOR FAB. & ERECTION	
3/24/2020	PARTIAL RELEASE FOR FABRICATION	1	3/24/2020	FOR FAB. & ERECTION	
2/7/2020	REVISED PER DESIGN CHANGE	1	2/8/2020	APPROVAL	
	FIRST ISSUE	1	11/6/2019	APPROVAL	
NO.	DATE	COMMENTS	NO.	DATE	ISSUED FOR
REVISIONS			PRINT RECORD		

DWG TITLE		ROOF DUNNAGE FRAMING, STAIR, & GUARDRAILS	
PROJECT NAME			
ARCHT			DWG REF
ENGR			DWG REF 8-101.00
CONTR	SUPER		REF 8-102.00
DRN BY	CHK'D BY	JOB NO.	SEARCH
TS/OC		4550	
DATE	DATE		DWG NO.
11/4/19			1B

PLAN NORTH

THE FOLLOWING NOTES ARE AN INTEGRAL OF THIS DRAWING AND OUR CONTRACT:

- 1) THE C.C. IS TO RETURN ONE UNWRAPPED COPY TO OUR OFFICE. We require review by both the architect and engineer.
- 2) If Architect/Engineer makes up drawing "REVISED" we will continue this action to meet. We are in compliance with contract documents and in fact, these drawings are "REVISED" or "REVISED AS NOTED" unless specifically stated otherwise.
- 3) These drawings are our interpretation of what is necessary to meet your specifications. It is most important, therefore, that they are checked by the C.C./Architect/Engineer against drawings provided by other trades to ensure proper installation to those remaining materials.
- 4) This drawing is for the exclusive use of Hidden Steel.
- 5) Work items must be free of all obstructions prior to steel installation date. This includes ducts, pipes, electrical work, and all other obstructions which prevent direct vertical lift of steel to its final location.
- 6) Should roof or slab penetrations be required, the C.C. is responsible for all roof or slab protection, penetrations and subsequent fire stopping, waterproofing, flashing, etc.
- 7) Location of holes, dips, cuts for other trades, if required by our contract, MUST be shown and verified by others on this drawing when submitted for approval.
- 8) Do not scale this drawing.
- 9) New steel is shown as [] existing steel is shown as []

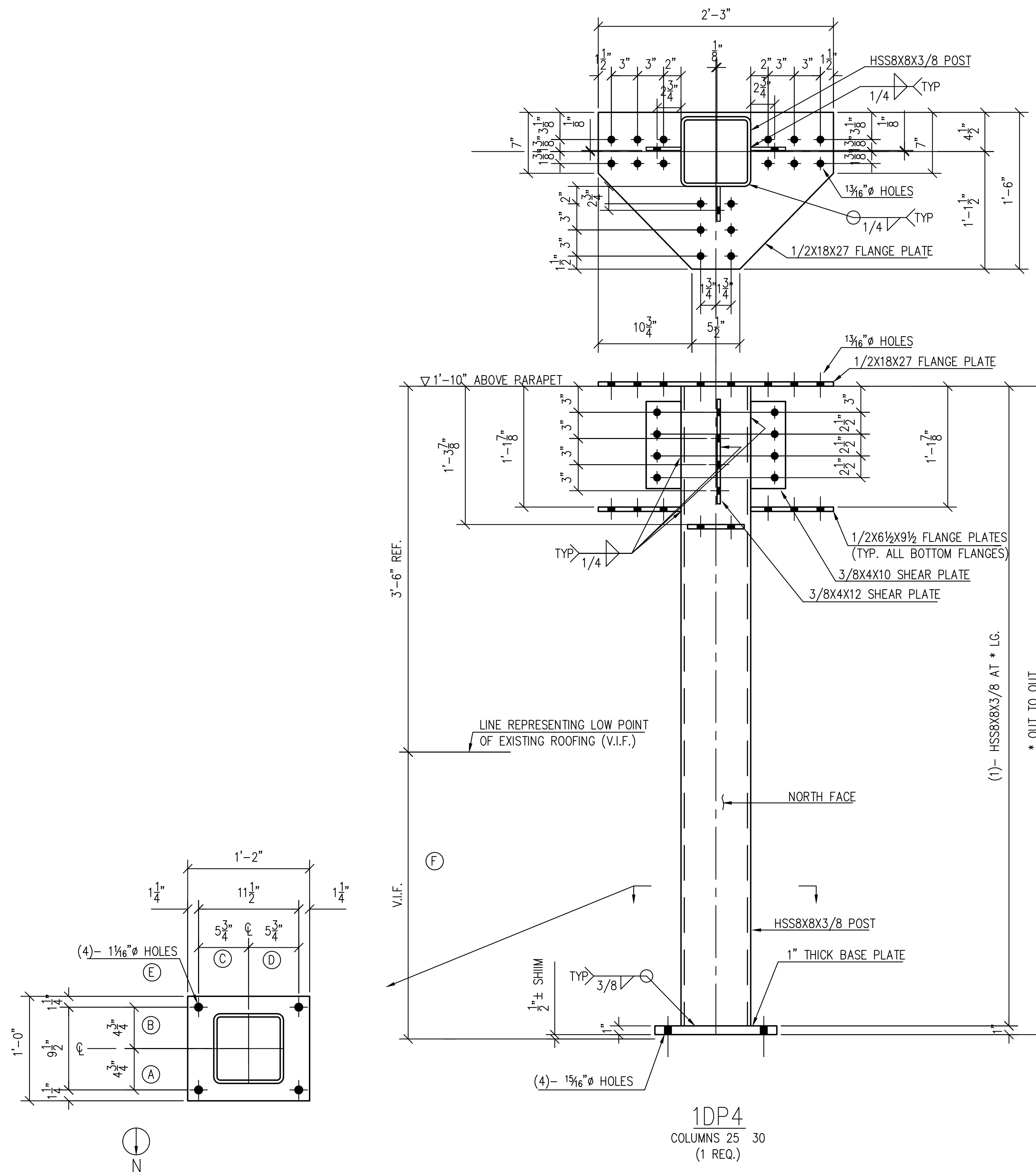


FOR FAB. & ERECTION:
4/30/2020

NOTE:
STEEL TO BE AS FOLLOWS
1. WIDE FLANGE TO BE ASTM A992
2. CHANNELS, PLATES AND ANGLES TO BE ASTM A36
3. HSS TO BE ASTM A500 GRADE B

PLAN NORTH		THE FOLLOWING NOTES ARE AN INTEGRAL OF THIS DRAWING AND OUR CONTRACT:			
		1) THE C.C. IS TO RETURN ONE UNWRAPPED COPY TO OUR OFFICE. We require review by both the architect and engineer. 2) If Architect/Engineer marks up drawing "REVISED" we will continue this action to mean we are in compliance with contract documents and in fact, these drawings are "REVISED" or "APPROVED" AS NOTED unless specifically stated otherwise. 3) These drawings are our interpretation of what is necessary to meet your specifications. It is most important, therefore, that they are checked by the C.C./Architect/Engineer against drawings provided by other trades to ensure proper installation to those remaining materials. 4) This drawing is for the exclusive use of Hidden Steel. 5) Work items must be free of all obstructions prior to steel installation date. This includes ducts, pipes, electrical work, and all other obstructions which prevent direct vertical lift of steel to its final location. 6) Should roof or slab penetrations be required, the C.C. is responsible for all roof or slab protection, penetrations and subsequent fire stopping, waterproofing, flashing, etc. 7) Location of holes, cuts, cuts for other trades, if required by our contract, MUST be shown and/or verified by others on this drawing when submitted for approval. 8) Do not scale this drawing. 9) New steel is shown as [] existing steel is shown as []			
		STEEL	PAIN	HOLES	BOLTS
SEE NOTE	HOT-DIP GALVANIZED	13/16"Ø	3/4"Ø A325 (U.N.O.)	E7018 (U.N.O.)	
4/30/2020	STAR - RELEASE FOR FABRICATION	1	4/30/2020	FOR FAB. & ERECTION	
4/1/2020	PARTIAL RELEASE FOR FABRICATION	1	4/1/2020	FOR FAB. & ERECTION	
3/30/2020	PARTIAL RELEASE FOR FABRICATION	1	3/31/2020	FOR FAB. & ERECTION	
3/26/2020	PARTIAL RELEASE FOR FABRICATION	1	3/26/2020	FOR FAB. & ERECTION	
3/24/2020	PARTIAL RELEASE FOR FABRICATION	1	3/24/2020	FOR FAB. & ERECTION	
2/7/2020	REVISED PER DESIGN CHANGE	1	2/8/2020	APPROVAL	
	FIRST ISSUE	1	11/6/2019	APPROVAL	
NO.	DATE	COMMENTS	NO.	DATE	ISSUED FOR
REVISIONS		PRINT RECORD			

DWG TITLE		ROOF DUNNAGE FRAMING, STAIR, & GUARDRAILS	
PROJECT NAME			
ARCHT			DWG REF
ENGR			DWG REF 8-101.00 REF 8-102.00
CONTR			SUPER
DRN BY	CHK'D BY	JOB NO.	SEARCH
TS/OC		4550	
DATE	DATE		DWG NO.
11/4/19			1C



FOR FAB. & ERECTION:
4/30/2020

NOTE:
STEEL TO BE AS FOLLOWS
1. WIDE FLANGE TO BE ASTM A992
2. CHANNELS, PLATES AND ANGLES TO BE ASTM A36
3. HSS TO BE ASTM A500 GRADE B

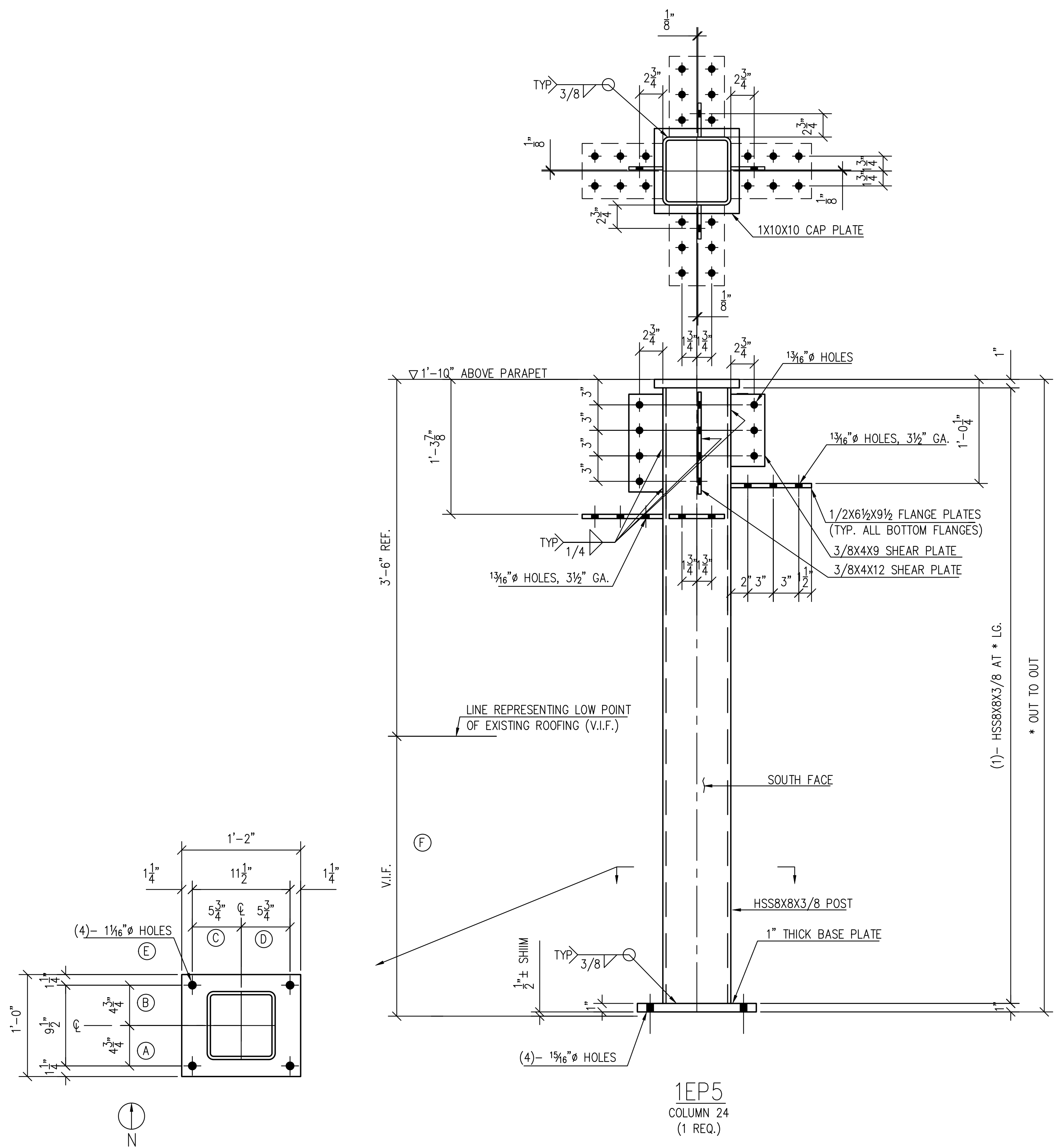
STEE	PAINT	HOLES	BOLTS	ELECTRODES	
SEE NOTE	HOT-DIP GALVANIZED	13/16"Ø	3/4"Ø A325 (U.N.O.)	E7018 (U.N.O.)	
△	4/30/2020	STAR - RELEASE FOR FABRICATION	1	4/30/2020 FOR FAB. & ERECTION	
△	4/1/2020	PARTIAL RELEASE FOR FABRICATION	1	4/1/2020 FOR FAB. & ERECTION	
△	3/30/2020	PARTIAL RELEASE FOR FABRICATION	1	3/31/2020 FOR FAB. & ERECTION	
△	3/26/2020	PARTIAL RELEASE FOR FABRICATION	1	3/26/2020 FOR FAB. & ERECTION	
△	3/24/2020	PARTIAL RELEASE FOR FABRICATION	1	3/24/2020 FOR FAB. & ERECTION	
△	2/7/2020	REVISED PER DESIGN CHANGE	1	2/8/2020 APPROVAL	
△		FIRST ISSUE	1	11/8/2019 APPROVAL	
NO.	DATE	COMMENTS	NO.	DATE	ISSUED FOR
REVISIONS			PRINT RECORD		

DWG TITLE		ROOF DUNNAGE FRAMING, STAIR, & GUARDRAILS	
PROJECT NAME			
ARCHT			DWG REF
ENGR			DWG REF 8-101.00
CONTR			REF 8-102.00
DRN BY	CHK'D BY	JOB NO.	SEARCH
TS/OC		4550	
DATE	DATE		DWG NO.
11/4/19			1D

PLAN NORTH

THE FOLLOWING NOTES ARE AN INTEGRAL OF THIS DRAWING AND OUR CONTRACT:

- 1) THE C.C. IS TO RETURN ONE UNWRAPPED COPY TO OUR OFFICE. We require review by both the architect and engineer.
- 2) If Architect/Engineer marks up drawing "REVISED" we will continue this action to mean we are in compliance with contract documents and in fact, these drawings are "REVISED" or "APPROVED" AS NOTED unless specifically stated otherwise.
- 3) These drawings are our interpretation of what is necessary to meet your specifications. It is most important, therefore, that they are checked by the C.C./Architect/Engineer against drawings provided by other trades to ensure proper installation to those remaining materials.
- 4) This drawing is for the exclusive use of Hidden Steel.
- 5) Work items must be free of all obstructions prior to steel installation date. This includes ducts, pipes, electrical work, and all other obstructions which prevent direct vertical lift of steel to its final location.
- 6) Should roof or slab penetrations be required, the C.C. is responsible for all roof or slab protection, penetrations and subsequent fire stopping, waterproofing, flashing, etc.
- 7) Location of holes, dips, cuts for other trades, if required by our contract, MUST be shown and verified by others on this drawing when submitted for approval.
- 8) Do not scale this drawing.
- 9) New steel is shown as [] existing steel is shown as []



FOR FAB. & ERECTION:
4/30/2020

NOTE:
STEEL TO BE AS FOLLOWS
1. WIDE FLANGE TO BE ASTM A992
2. CHANNELS, PLATES AND ANGLES TO BE ASTM A36
3. HSS TO BE ASTM A500 GRADE B

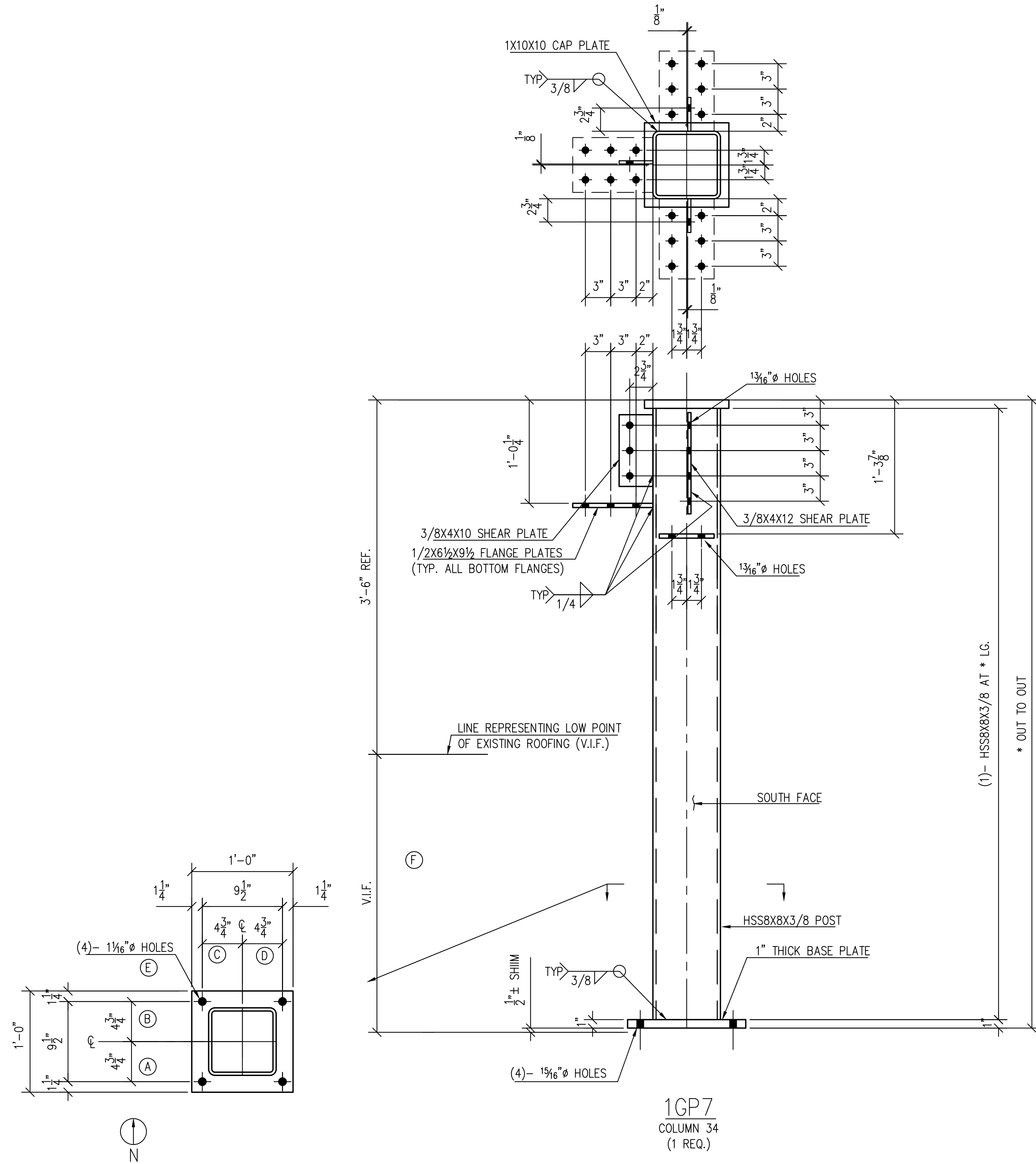
STEE	PAINT	HOLES	BOLTS	ELECTRODES	
SEE NOTE	HOT-DIP GALVANIZED	13/16"Ø	3/4"Ø A325 (U.N.O.)	E7018 (U.N.O.)	
4/30/2020	STAR - RELEASE FOR FABRICATION	1	4/30/2020	FOR FAB. & ERECTION	
4/1/2020	PARTIAL RELEASE FOR FABRICATION	1	4/1/2020	FOR FAB. & ERECTION	
3/30/2020	PARTIAL RELEASE FOR FABRICATION	1	3/31/2020	FOR FAB. & ERECTION	
3/26/2020	PARTIAL RELEASE FOR FABRICATION	1	3/26/2020	FOR FAB. & ERECTION	
3/24/2020	PARTIAL RELEASE FOR FABRICATION	1	3/24/2020	FOR FAB. & ERECTION	
2/7/2020	REVISED PER DESIGN CHANGE	1	2/8/2020	APPROVAL	
	FIRST ISSUE	1	11/6/2019	APPROVAL	
NO.	DATE	COMMENTS	NO.	DATE	ISSUED FOR
REVISIONS			PRINT RECORD		

DWG TITLE		ROOF DUNNAGE FRAMING, STAIR, & GUARDRAILS	
PROJECT NAME			
ARCHT			DWG REF
ENGR			DWG REF 8-101.00 REF 8-102.00
CONTR	SUPER		
DRN BY	CHK'D BY	JOB NO.	SEARCH
TS/OC		4550	-
DATE	DATE		DWG NO.
11/4/19			1E

PLAN NORTH

THE FOLLOWING NOTES ARE AN INTEGRAL OF THIS DRAWING AND OUR CONTRACT:

- 1) THE C.C. IS TO RETURN ONE UNRECORDED COPY TO OUR OFFICE. We require review by both the architect and engineer.
- 2) If Architect/Engineer marks up drawing "REVISED" we will continue this action to meet. We are in compliance with contract documents and in fact, these drawings are "REVISED" or "REVISED AS NOTED" unless specifically stated otherwise.
- 3) These drawings are our interpretation of what is necessary to meet your specifications. It is most important, therefore, that they are checked by the C.C./Architect/Engineer against drawings provided by other trades to ensure proper installation to those remaining materials.
- 4) This drawing is for the exclusive use of Hidden Steel.
- 5) Work items must be free of all obstructions prior to steel installation date. This includes ducts, pipes, electrical work, and all other obstructions which prevent direct vertical lift of steel to its final location.
- 6) Should roof or slab penetrations be required, the C.C. is responsible for all roof or slab penetration and subsequent fire stopping, waterproofing, flashing, etc.
- 7) Location of holes, dips, cuts for other trades, if required by our contract, MUST be shown and/or verified by others on this drawing when submitted for approval.
- 8) Do not scale this drawing.
- 9) New steel is shown as [] existing steel is shown as []



FOR FAB. & ERECTION:
4/30/2020

NOTE:
STEEL TO BE AS FOLLOWS
1. WIDE FLANGE TO BE ASTM A992
2. CHANNELS, PLATES AND ANGLES TO BE ASTM A36
3. HSS TO BE ASTM A500 GRADE B

PLAN NORTH

- THE FOLLOWING NOTES ARE AN INTEGRAL OF THIS DRAWING AND OUR CONTRACT:
- 1) THE C.C. IS TO RETURN ONE MARKED-UP COPY TO OUR OFFICE. We require review by both the architect and engineer.
 - 2) If Architect/Engineer marks up drawing "REVISED" we will continue this action to mean we are in compliance with contract documents and in fact, these drawings are "APPROVED" or "PROPOSED" as NOTED unless specifically stated otherwise.
 - 3) These drawings are our interpretation of what is necessary to meet your specifications. It is most important, therefore, that they are checked by the C.C./Architect/Engineer against drawings provided by other trades to ensure proper installation to those remaining materials.
 - 4) This drawing is for the exclusive use of Hidden Steel.
 - 5) Work items must be free of all obstructions prior to steel installation date. This includes ducts, pipes, electrical work, and all other obstructions which prevent direct vertical lift of steel to its final location.
 - 6) Should roof or slab penetrations be required, the C.C. is responsible for all roof or slab protection, penetrations and subsequent fire stopping, waterproofing, flashing, etc.
 - 7) Location of holes, cuts, calls for other trades, if required by our contract, MUST be shown and verified by others on this drawing when submitted for approval.
 - 8) Do not scale this drawing.
 - 9) New steel is shown as [] existing steel is shown as []

STEEL	PAINT	HOLES	BOLTS	ELECTRODES
SEE NOTE	HOT-DIP GALVANIZED	13/16"Ø	3/4"Ø A325 (U.N.O.)	E7018 (U.N.O.)
△	4/30/2020	STAR - RELEASE FOR FABRICATION	1	4/30/2020 FOR FAB. & ERECTION
△	4/1/2020	PARTIAL RELEASE FOR FABRICATION	1	4/1/2020 FOR FAB. & ERECTION
△	3/30/2020	PARTIAL RELEASE FOR FABRICATION	1	3/31/2020 FOR FAB. & ERECTION
△	3/26/2020	PARTIAL RELEASE FOR FABRICATION	1	3/26/2020 FOR FAB. & ERECTION
△	3/24/2020	PARTIAL RELEASE FOR FABRICATION	1	3/24/2020 FOR FAB. & ERECTION
△	2/7/2020	REVISED PER DESIGN CHANGE	1	2/8/2020 APPROVAL
△		FIRST ISSUE	1	11/6/2019 APPROVAL
NO.	DATE	COMMENTS	NO.	DATE
REVISIONS			PRINT RECORD	ISSUED FOR

DWG TITLE
ROOF DUNNAGE
FRAMING, STAIR, & GUARDRAILS

PROJECT NAME

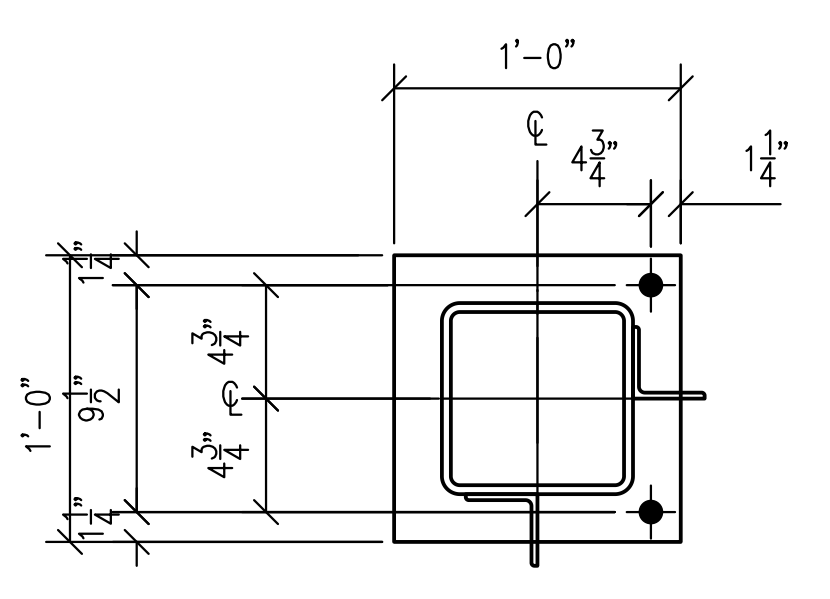
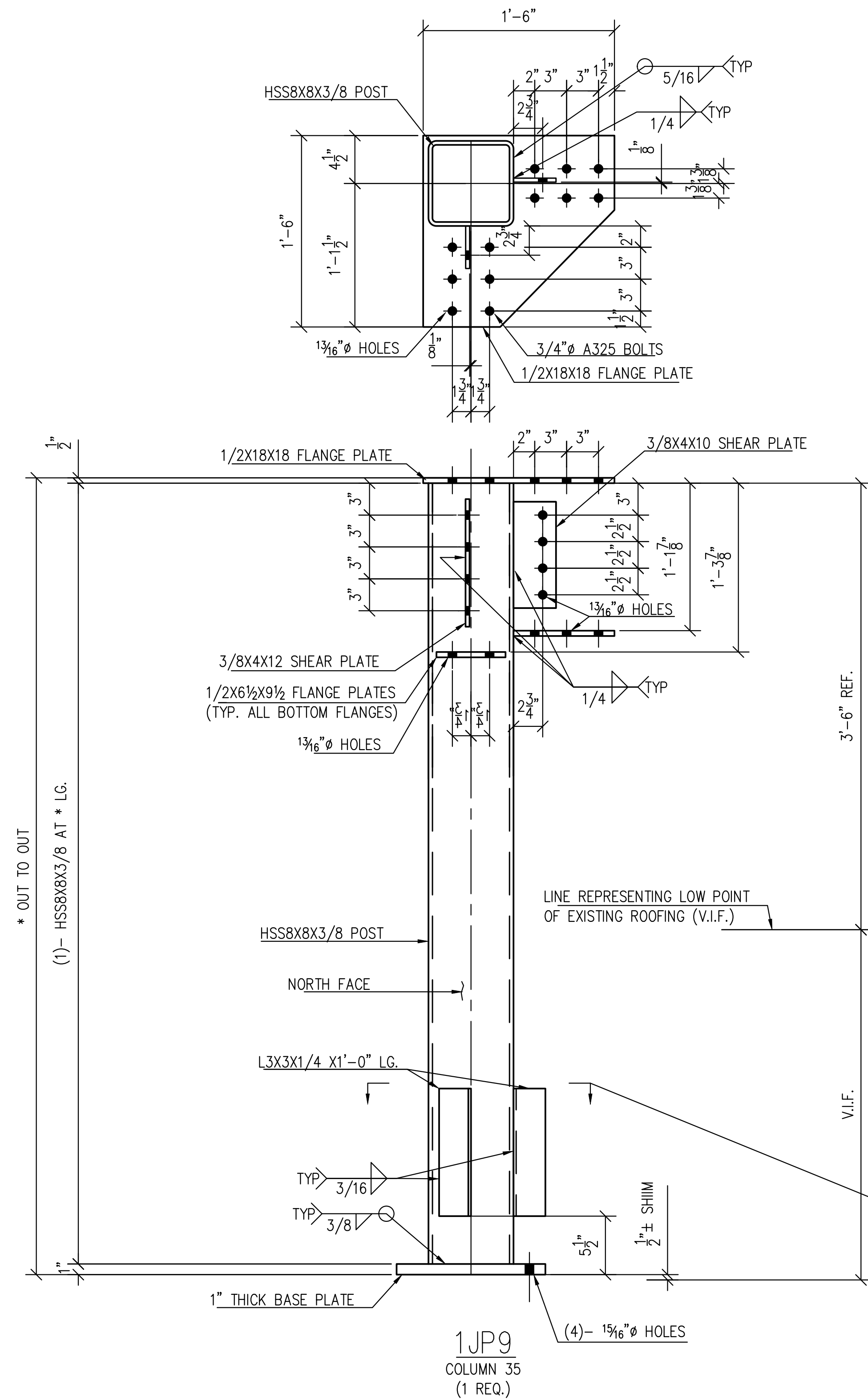
ARCHT
ENGR
CONTR

DRN BY TS/OC	CHK'D BY	JOB NO. 4550	SEARCH	DWG NO. 1G
DATE 11/4/19	DATE			

DWG REF
S-101.00

REF
S-102.00

SUPER



FOR FAB. & ERECTION:
4/30/2020

NOTE:
STEEL TO BE AS FOLLOWS
1. WIDE FLANGE TO BE ASTM A992
2. CHANNELS, PLATES AND ANGLES TO BE ASTM A36
3. HSS TO BE ASTM A500 GRADE B

PLAN NORTH

THE FOLLOWING NOTES ARE AN INTEGRAL OF THIS DRAWING AND OUR CONTRACT:

- 1) THE C.C. IS TO RETURN ONE UNWRAPPED COPY TO OUR OFFICE. We require review by both the architect and engineer.
- 2) If Architect/Engineer marks up drawing "REVISED" we will continue this action to mean we are in compliance with contract documents and in fact, these drawings are "APPROVED" or "FORWARDED AS NOTED" unless specifically stated otherwise.
- 3) These drawings are our interpretation of what is necessary to meet your specifications. It is most important, therefore, that they are checked by the C.C./Architect/Engineer against drawings provided by other trades to ensure proper installation to those remaining materials.
- 4) This drawing is for the exclusive use of Hidden Steel.
- 5) Work areas must be free of all obstructions prior to steel installation date. This includes ducts, pipes, electrical work, and all other obstructions which prevent direct vertical lift of steel to its final location.
- 6) Should roof or slab penetrations be required, the C.C. is responsible for all roof or slab protection, penetrations and subsequent fire stopping, waterproofing, flashing, etc.
- 7) Location of holes, dips, cuts for other trades, if required by our contract, MUST be shown and/or verified by others on this drawing when submitted for approval.
- 8) Do not scale this drawing.
- 9) New steel is shown as [] existing steel is shown as []

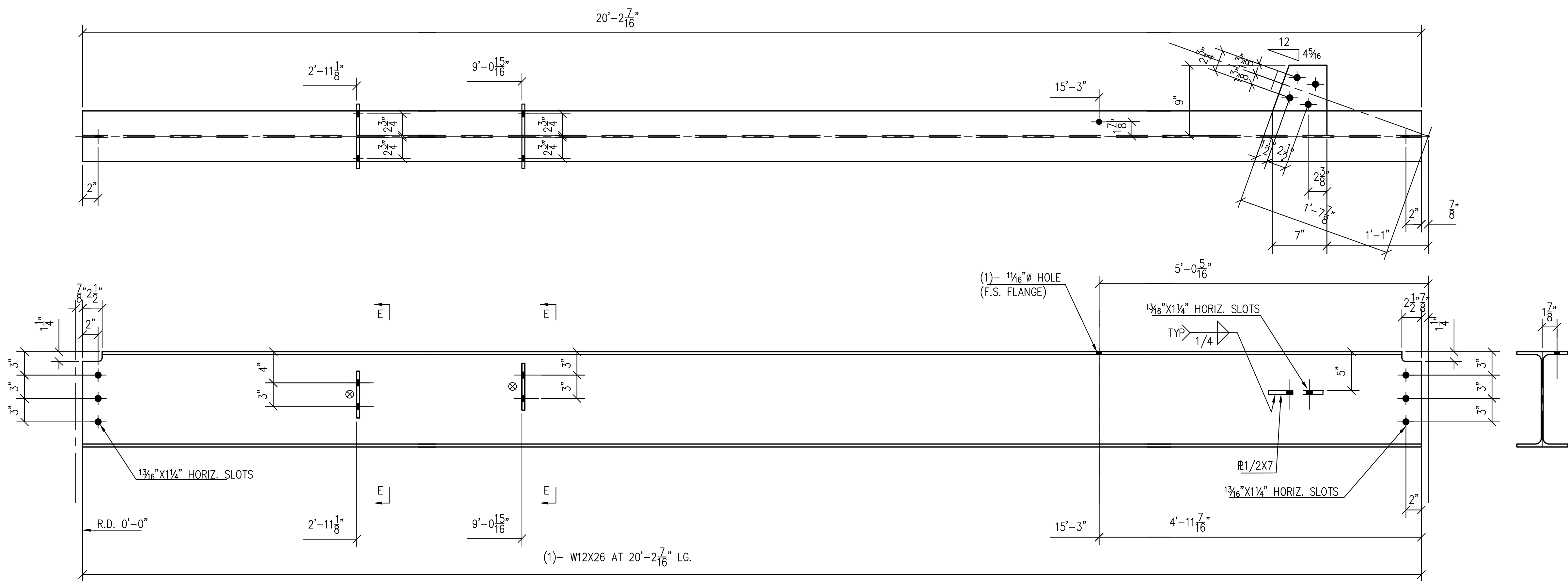
STEEL	PAINT	HOLES	BOLTS	ELECTRODES
SEE NOTE	HOT-DIP GALVANIZED	13/16"Ø	3/4"Ø A325 (U.N.O.)	E7018 (U.N.O.)

NO.	DATE	COMMENTS	NO.	DATE	ISSUED FOR
△	4/30/2020	STAR - RELEASE FOR FABRICATION	1	4/30/2020	FOR FAB. & ERECTION
△	4/1/2020	PARTIAL RELEASE FOR FABRICATION	1	4/1/2020	FOR FAB. & ERECTION
△	3/30/2020	PARTIAL RELEASE FOR FABRICATION	1	3/31/2020	FOR FAB. & ERECTION
△	3/26/2020	PARTIAL RELEASE FOR FABRICATION	1	3/26/2020	FOR FAB. & ERECTION
△	3/24/2020	PARTIAL RELEASE FOR FABRICATION	1	3/24/2020	FOR FAB. & ERECTION
△	2/7/2020	REVISED PER DESIGN CHANGE	1	2/8/2020	APPROVAL
		FIRST ISSUE	1	11/6/2019	APPROVAL

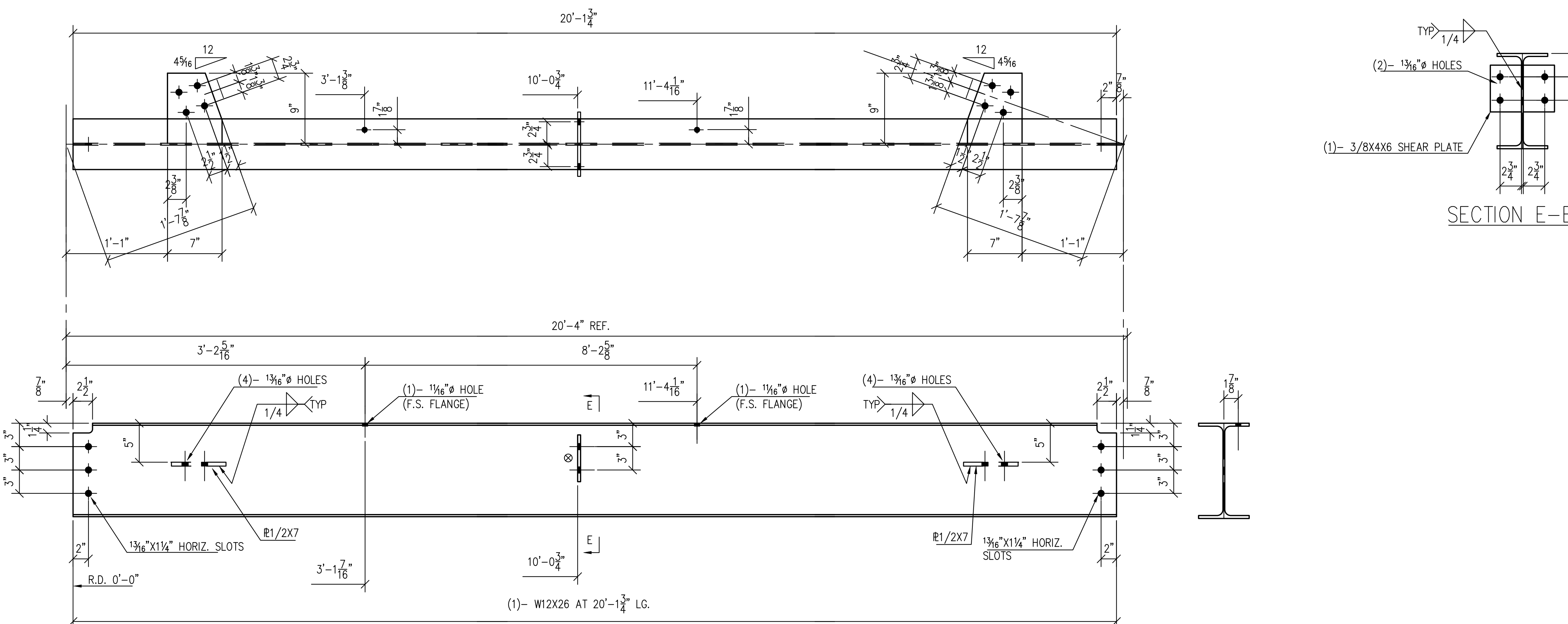
DWG TITLE
ROOF DUNNAGE
FRAMING, STAIR, & GUARDRAILS

PROJECT NAME

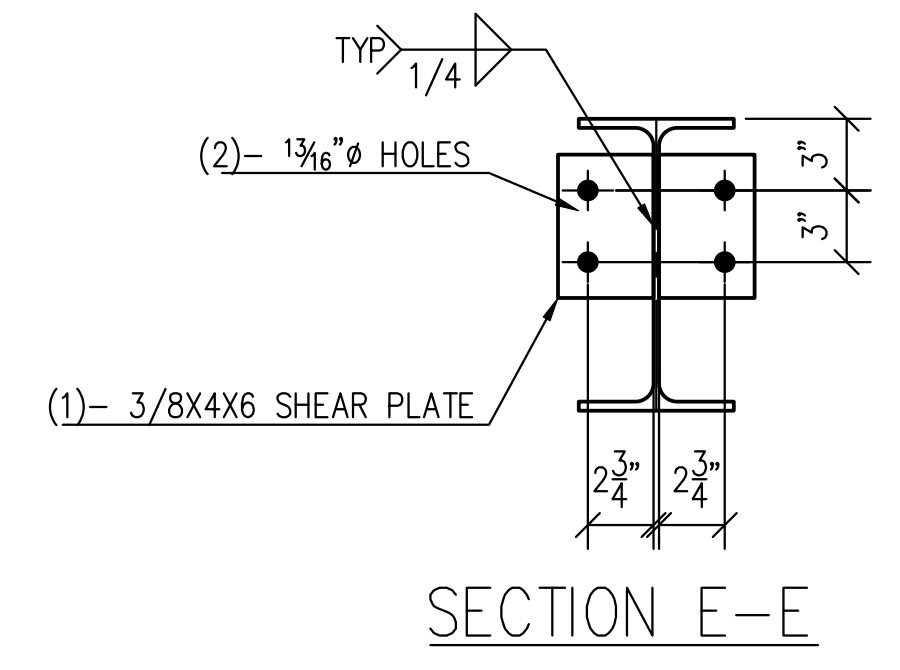
ARCHT		DWG REF	
ENGR		DWG REF	S-101.00
CONTR		DWG REF	S-102.00
DRN BY	CHK'D BY	JOB NO.	SEARCH
TS/OC		4550	-
DATE	DATE		DWG NO.
11/4/19			1J



2DB7
(1 REQ.)



2DB8
(1 REQ.)



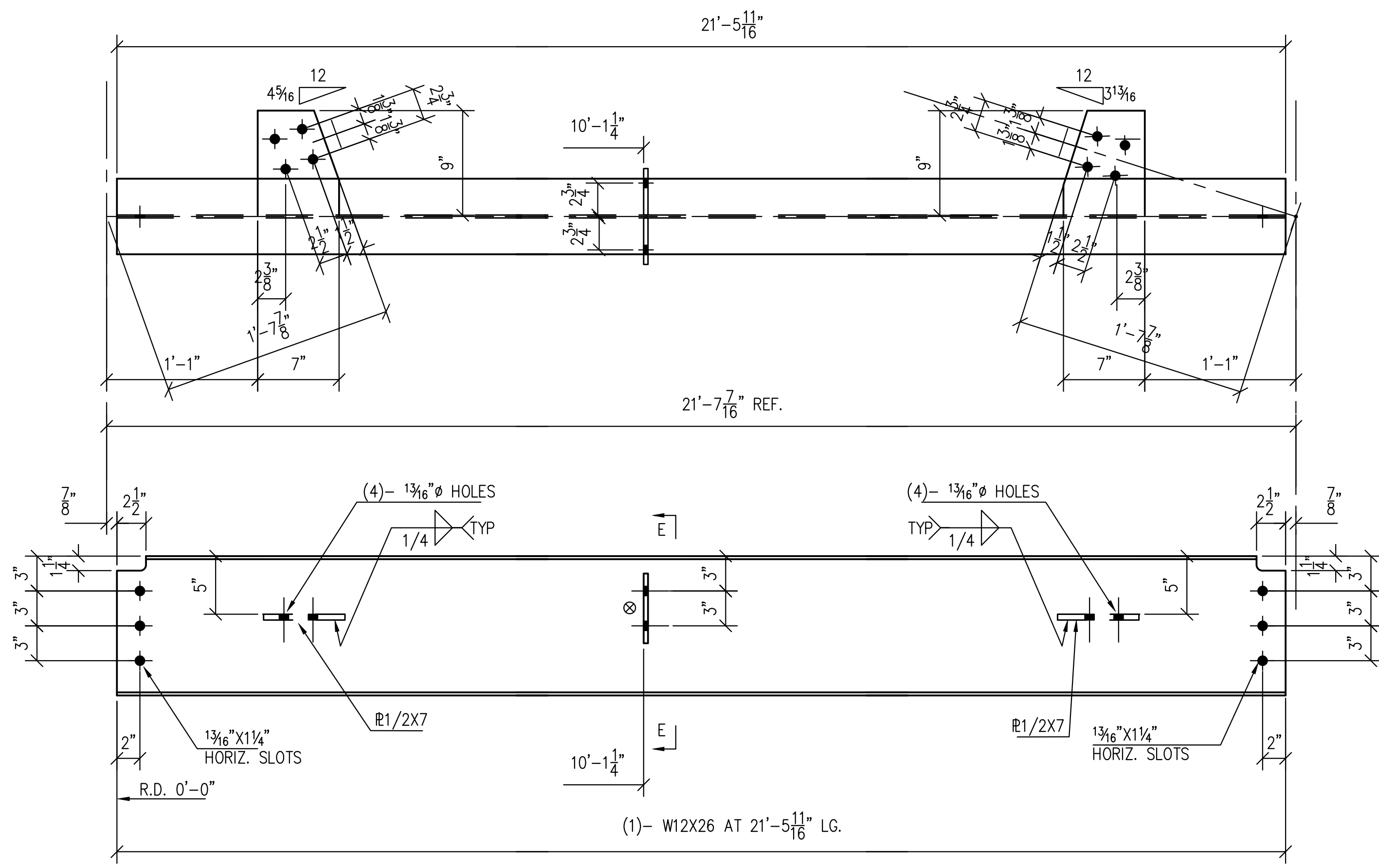
SECTION E-E

FOR FAB. & ERECTION:
4/30/2020

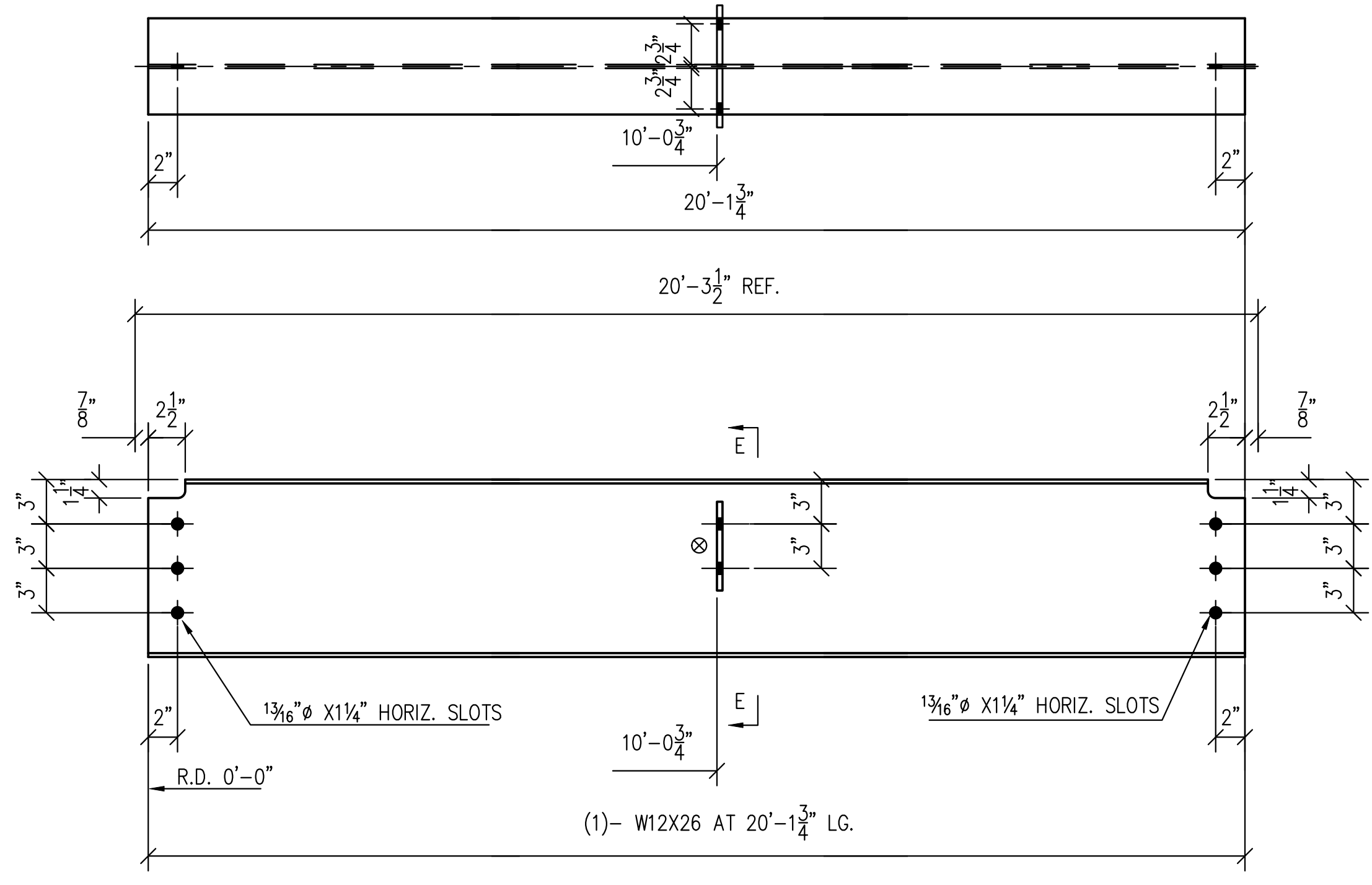
NOTE:
STEEL TO BE AS FOLLOWS
1. WIDE FLANGE TO BE ASTM A992
2. CHANNELS, PLATES AND ANGLES TO BE ASTM A36
3. HSS TO BE ASTM A500 GRADE B

BILL OF MATERIALS				
REQ.	PC. MARK	SHAPE	LENGTH	REMARKS
1	2DB7	W12X26	20' 2 7/16"	-
1	pa13	R1/2X7	0' 9"	-
4	pc11	R3/8X4	0' 6"	-
1	2DB8	W12X26	20' 1 3/4"	-
1	pa13	R1/2X7	0' 9"	-
1	pb13	R1/2X7	0' 9"	-
2	pc11	R3/8X4	0' 6"	-

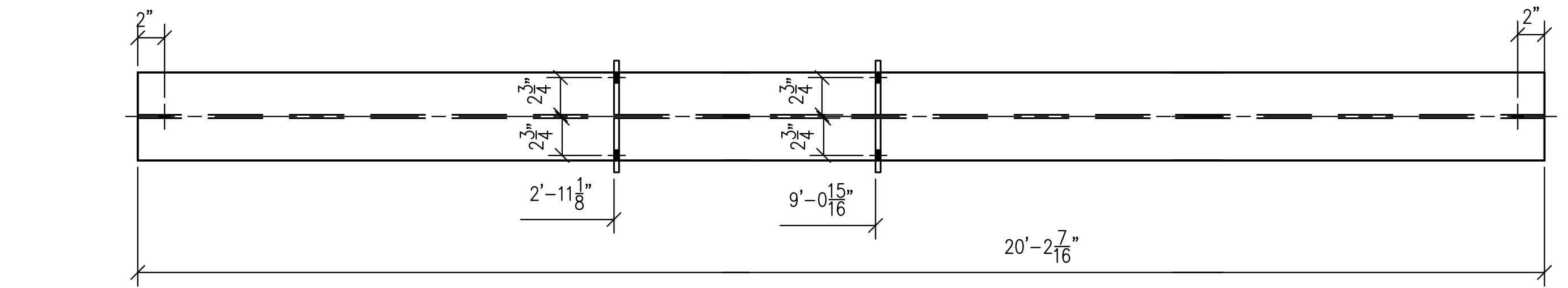
PLAN NORTH		THE FOLLOWING NOTES ARE AN INTEGRAL OF THIS DRAWING AND OUR CONTRACT:			
↑		1) THE C.C. IS TO RETURN ONE UNWRAPPED COPY TO OUR OFFICE. We require review by both the architect and engineer. 2) If Architect/Engineer marks up drawing "REVISED" we will continue this action to meet our intent in compliance with contract documents and in fact, these drawings are "REVISED" or "APPROVED" AS NOTED unless specifically stated otherwise. 3) These drawings are our interpretation of what is necessary to meet your specifications. It is most important, therefore, that they are checked by the C.C./Architect/Engineer against drawings provided by other trades to ensure proper installation to those remaining materials. 4) This drawing is for the exclusive use of Hidden Steel. 5) Work items must be free of all obstructions prior to steel installation date. This includes ducts, pipes, electrical work, and all other obstructions which prevent direct vertical lift of steel to its final location. 6) Should roof or slab penetrations be required, the C.C. is responsible for all roof or slab penetration and subsequent fire stopping, waterproofing, flashing, etc. 7) Location of holes, dips, cuts for other trades, if required by our contract, MUST be shown and verified by others on this drawing when submitted for approval. 8) Do not scale this drawing. 9) New steel is shown as [] existing steel is shown as []			
STEEL	PAINT	HOLES	BOLTS	ELECTRODES	
SEE NOTE	HOT-DIP GALVANIZED	13/16" Ø	3/4" Ø A325 (U.N.O.)	E7018 (U.N.O.)	
NO.	DATE	COMMENTS	NO.	DATE	ISSUED FOR
1	4/30/2020	STAR - RELEASE FOR FABRICATION	1	4/30/2020	FOR FAB. & ERECTION
2	4/1/2020	PARTIAL RELEASE FOR FABRICATION	1	4/1/2020	FOR FAB. & ERECTION
3	3/30/2020	PARTIAL RELEASE FOR FABRICATION	1	3/31/2020	FOR FAB. & ERECTION
4	3/26/2020	PARTIAL RELEASE FOR FABRICATION	1	3/26/2020	FOR FAB. & ERECTION
5	3/24/2020	PARTIAL RELEASE FOR FABRICATION	1	3/24/2020	FOR FAB. & ERECTION
6	2/7/2020	REVISED PER DESIGN CHANGE	1	2/8/2020	APPROVAL
7		FIRST ISSUE	1	11/6/2019	APPROVAL
REVISIONS			PRINT RECORD		
DWG TITLE					
ROOF DUNNAGE FRAMING, STAIR, & GUARDRAILS					
PROJECT NAME					
ARCHT			DWG REF		
ENGR			DWG NO. S-101.00		
CONTR			SUPER		
DRN BY	CHK'D BY	JOB NO.	SEARCH	DWG NO.	
TS/OC		4550	-	2D	
DATE	DATE				
11/4/19					



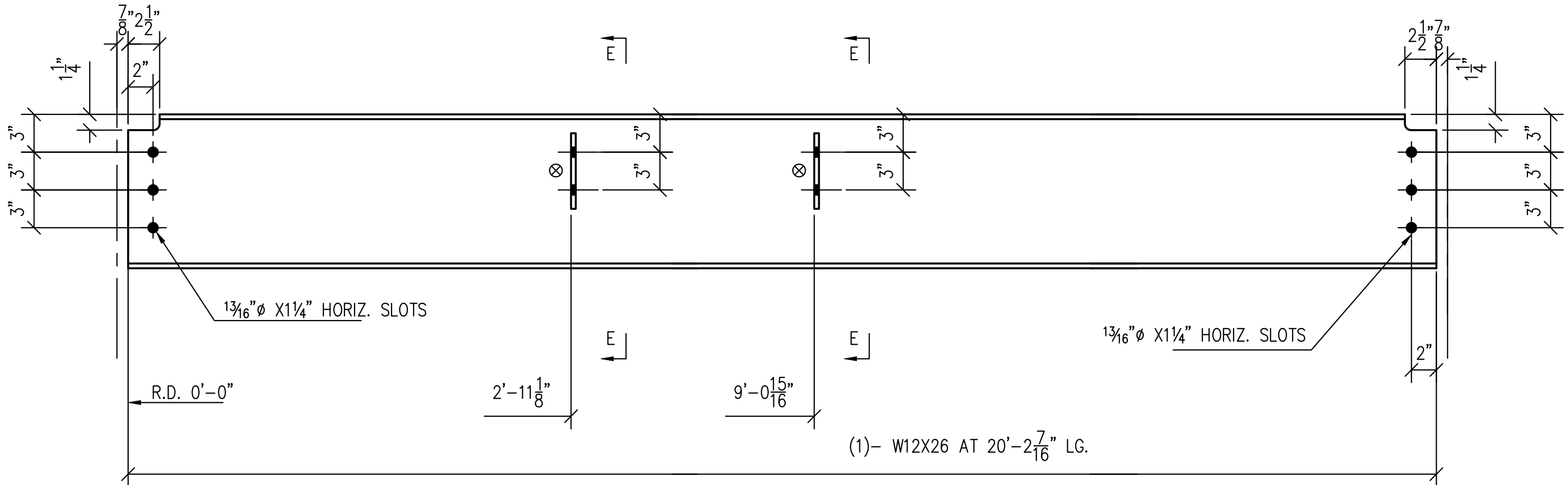
2EB9
(1 REQ.)



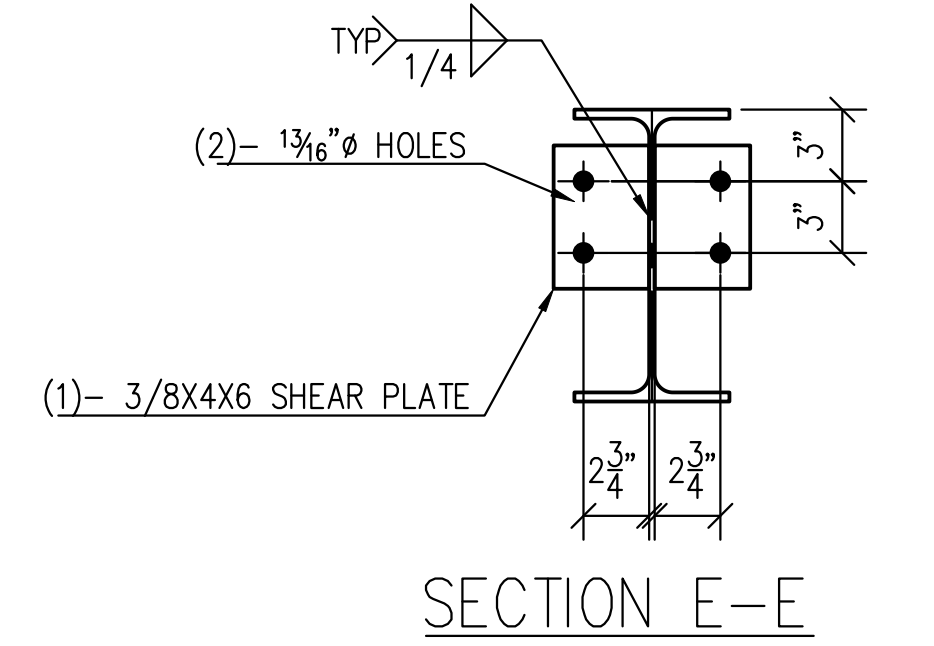
2EB11
(2 REQ.)



2EB10
(1 REQ.)



BILL OF MATERIALS				
REQ.	PC. MARK	SHAPE	LENGTH	REMARKS
1	2EB9	W12X26	20' 5 11/16"	--
1	pb14	#1/2X7	0' 9"	--
1	pb14	#1/2X7	0' 9"	--
2	pc11	#3/8X4	0' 6"	--
1	2EB10	W12X26	20' 2 7/16"	--
4	pc11	#3/8X4	0' 6"	--
2	2EB11	W12X26	20' 1 3/4"	--
4	pc11	#3/8X4	0' 6"	--



SECTION E-E

PLAN NORTH

THE FOLLOWING NOTES ARE AN INTEGRAL OF THIS DRAWING AND OUR CONTRACT:

- 1) THE C.C. IS TO RETURN ONE UNWRAPPED COPY TO OUR OFFICE. We require review by both the architect and engineer.
- 2) If Arch/Eng/Supplier makes any drawing "REVISED" we will continue this action to meet. we are in compliance with contract documents and in fact, these drawings are "REVISED" or "PROPOSED" AS NOTED unless specifically stated otherwise.
- 3) These drawings are our interpretation of what is necessary to meet your specifications. It is most important, therefore, that they are checked by the C.C./Architect/Engineer against drawings provided by other trades to ensure proper installation by those remaining materials.
- 4) This drawing is for the exclusive use of Hidden Steel.
- 5) Work items must be free of all obstructions prior to steel installation date. This includes ducts, pipes, electrical work, and all other obstructions which prevent direct vertical lift of steel to its final location.
- 6) Should roof or slab penetrations be required, the C.C. is responsible for all roof or slab penetration and subsequent fire stopping, waterproofing, flashing, etc.
- 7) Location of holes, cuts, cuts for other trades, if required by our contract, MUST be shown and/or verified by others on this drawing when submitted for approval.
- 8) Do not scale this drawing.
- 9) New steel is shown as [] existing steel is shown as []

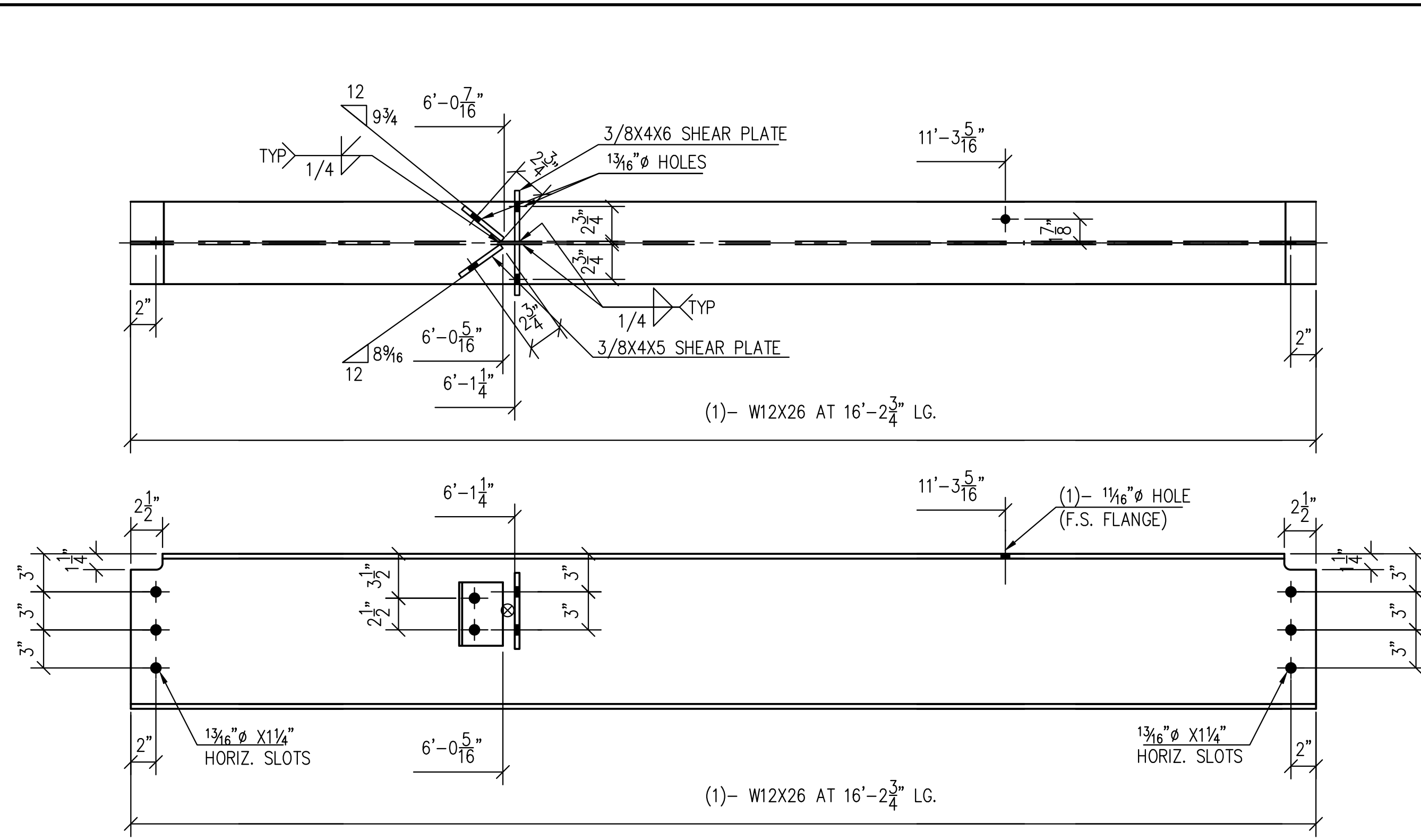
STEEL	PAINT	HOLES	BOLTS	ELECTRODES
SEE NOTE	HOT-DIP GALVANIZED	13/16"Ø	3/4"Ø A325 (U.N.O.)	E7018 (U.N.O.)

NO.	DATE	COMMENTS	NO.	DATE	ISSUED FOR
1	4/30/2020	STAR - RELEASE FOR FABRICATION	1	4/30/2020	FOR FAB. & ERECTION
2	4/1/2020	PARTIAL RELEASE FOR FABRICATION	1	4/1/2020	FOR FAB. & ERECTION
3	3/30/2020	PARTIAL RELEASE FOR FABRICATION	1	3/31/2020	FOR FAB. & ERECTION
4	3/26/2020	PARTIAL RELEASE FOR FABRICATION	1	3/26/2020	FOR FAB. & ERECTION
5	3/24/2020	PARTIAL RELEASE FOR FABRICATION	1	3/24/2020	FOR FAB. & ERECTION
6	2/7/2020	REVISED PER DESIGN CHANGE	1	2/8/2020	APPROVAL
7		FIRST ISSUE	1	11/6/2019	APPROVAL

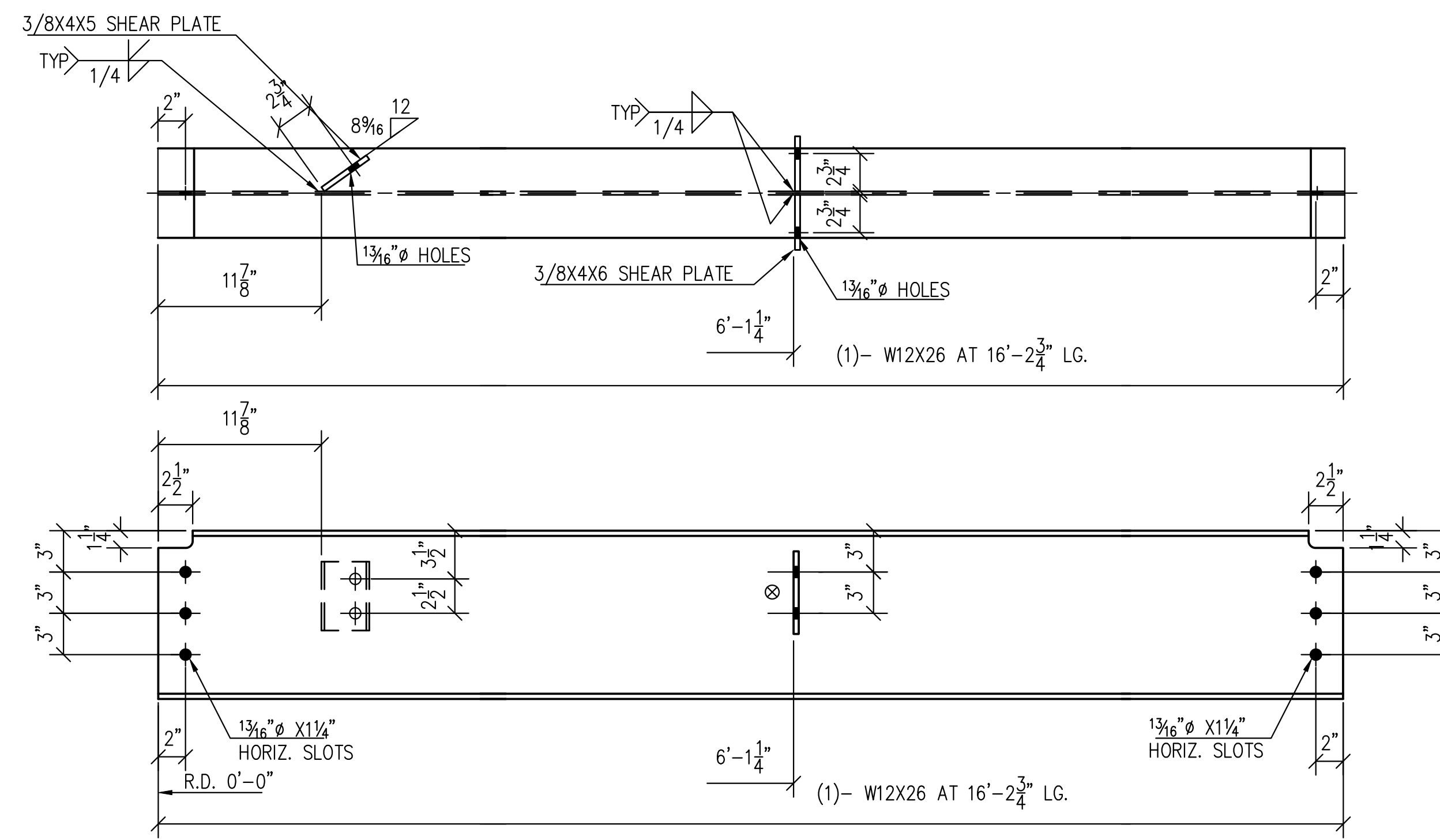
FOR FAB. & ERECTION:
4/30/2020

NOTE:
STEEL TO BE AS FOLLOWS
1. WIDE FLANGE TO BE ASTM A992
2. CHANNELS, PLATES AND ANGLES TO BE ASTM A36
3. HSS TO BE ASTM A500 GRADE B

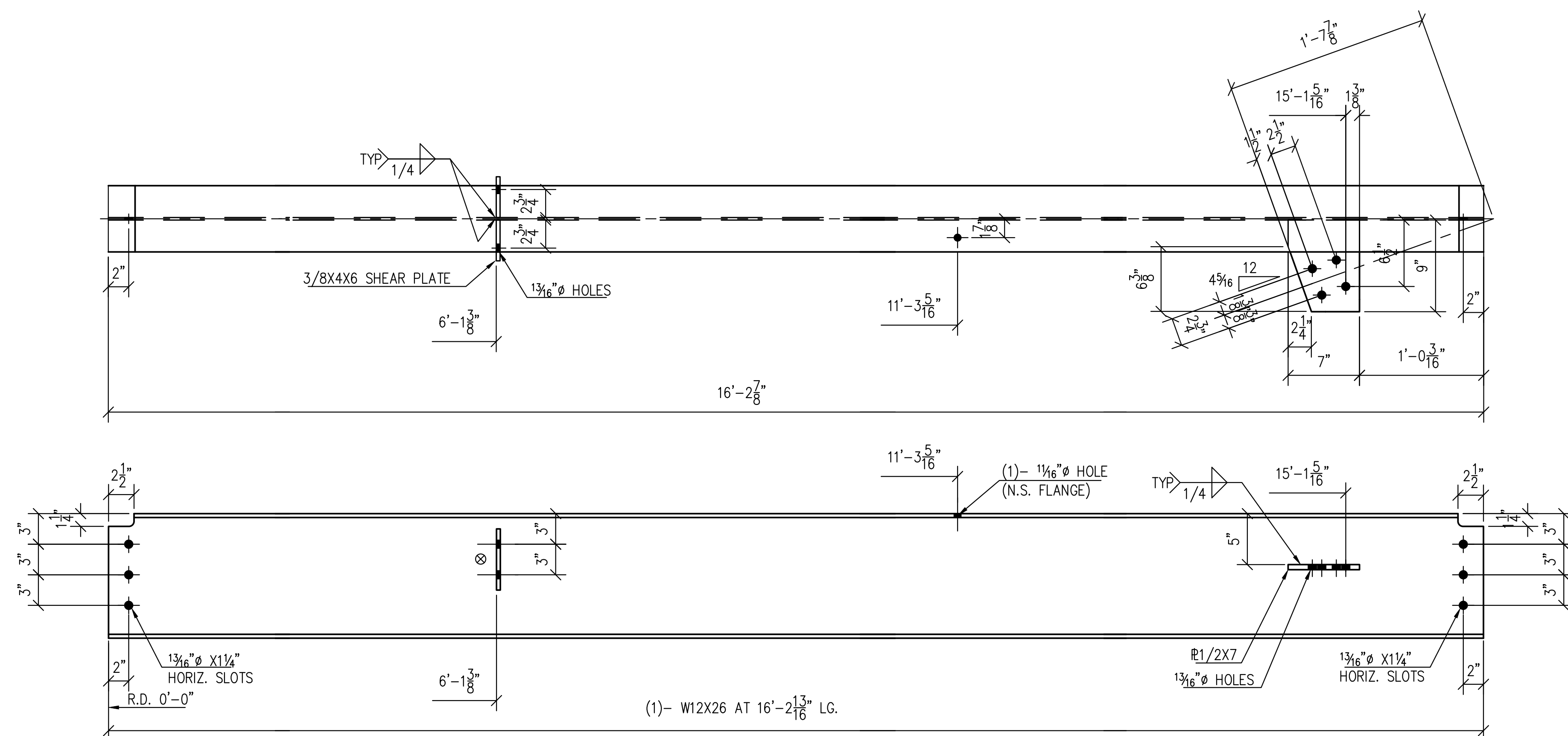
DWG TITLE		PROJECT NAME	
ROOF DUNNAGE FRAMING, STAIR, & GUARDRAILS			
ARCHT		DWG REF	
ENGR		DWG NO	S-101.00
CONTR		REF	S-102.00
DRN BY	CHK'D BY	JOB NO.	SEARCH
TS/OC		4550	-
DATE	DATE		DWG NO.
11/4/19			2E



2LB25
(1 REQ.)



2LB26
(1 REQ.)



2LB27
(1 REQ.)

BILL OF MATERIALS				
REQ.	PC. MARK	SHAPE	LENGTH	REMARKS
1	2LB25	W12X26	16' 2 3/4"	--
2	pc11	#3/8X4	0' 6"	--
2	pa20	#3/8X4	0' 5"	--
1	2LB26	W12X26	16' 2 3/4"	--
2	pc11	#3/8X4	0' 6"	--
1	pa20	#3/8X4	0' 5"	--
1	2LB27	W12X26	16' 2 13/16"	--
2	pc11	#3/8X4	0' 6"	--
1	pb20	#1/2X7	0' 9"	--

PLAN NORTH

THE FOLLOWING NOTES ARE AN INTEGRAL OF THIS DRAWING AND OUR CONTRACT:

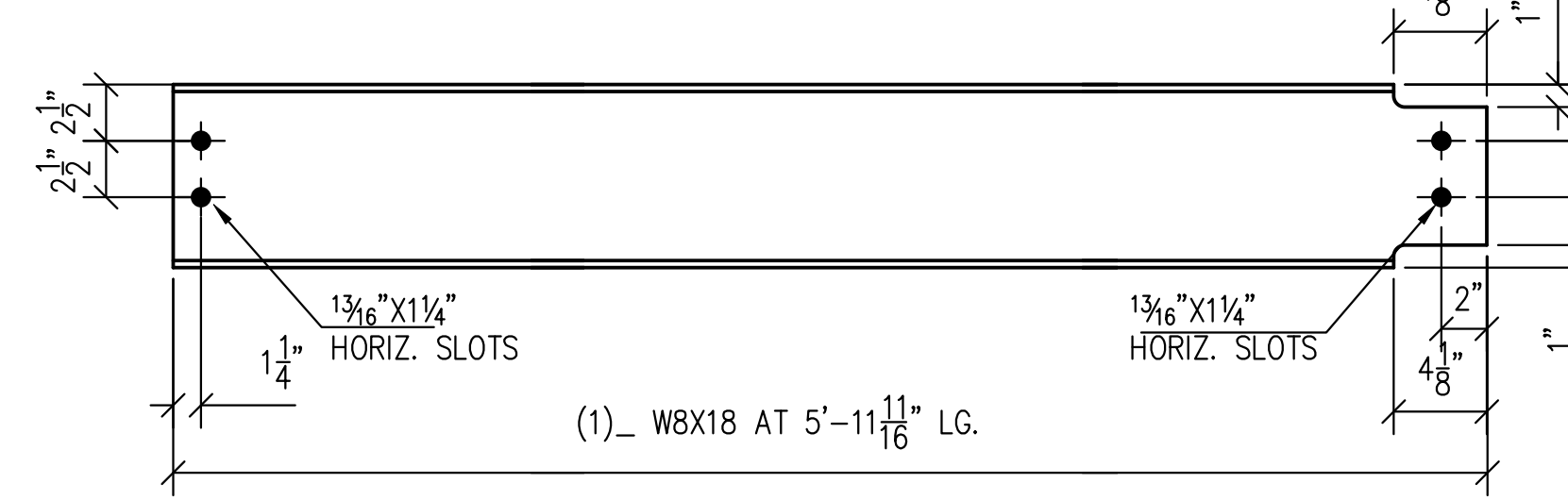
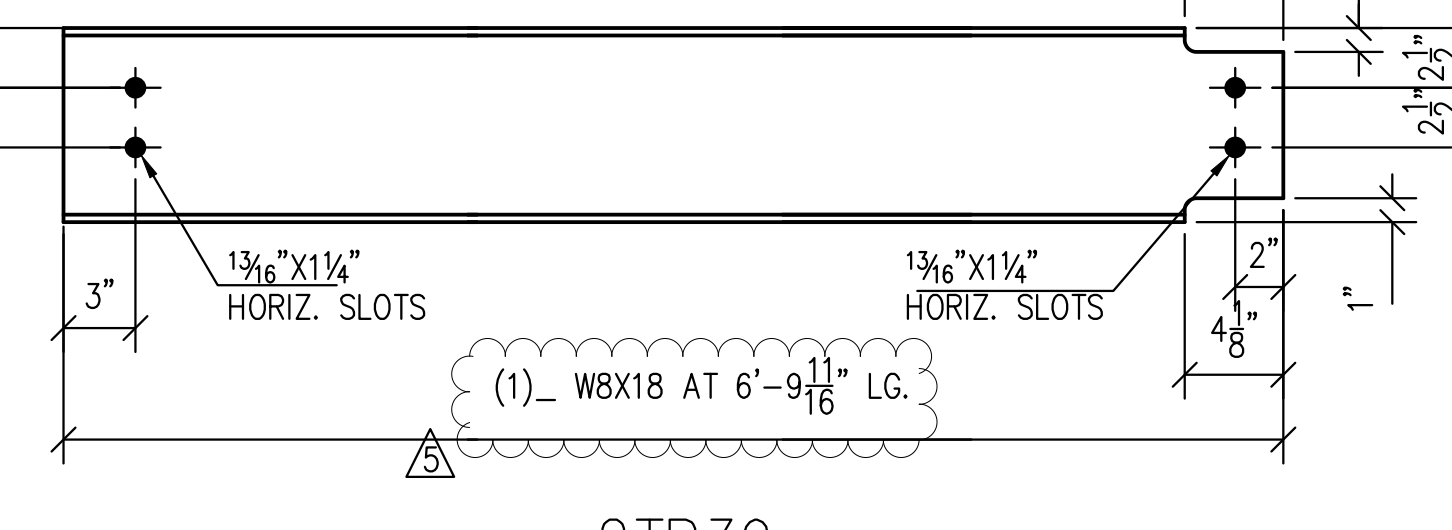
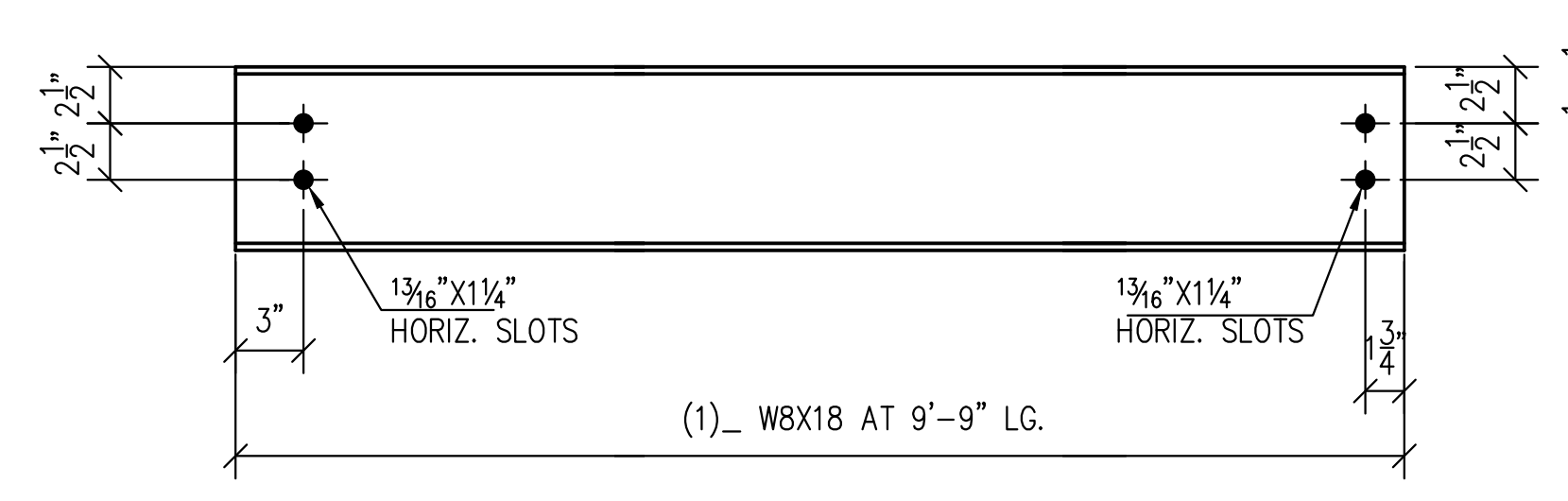
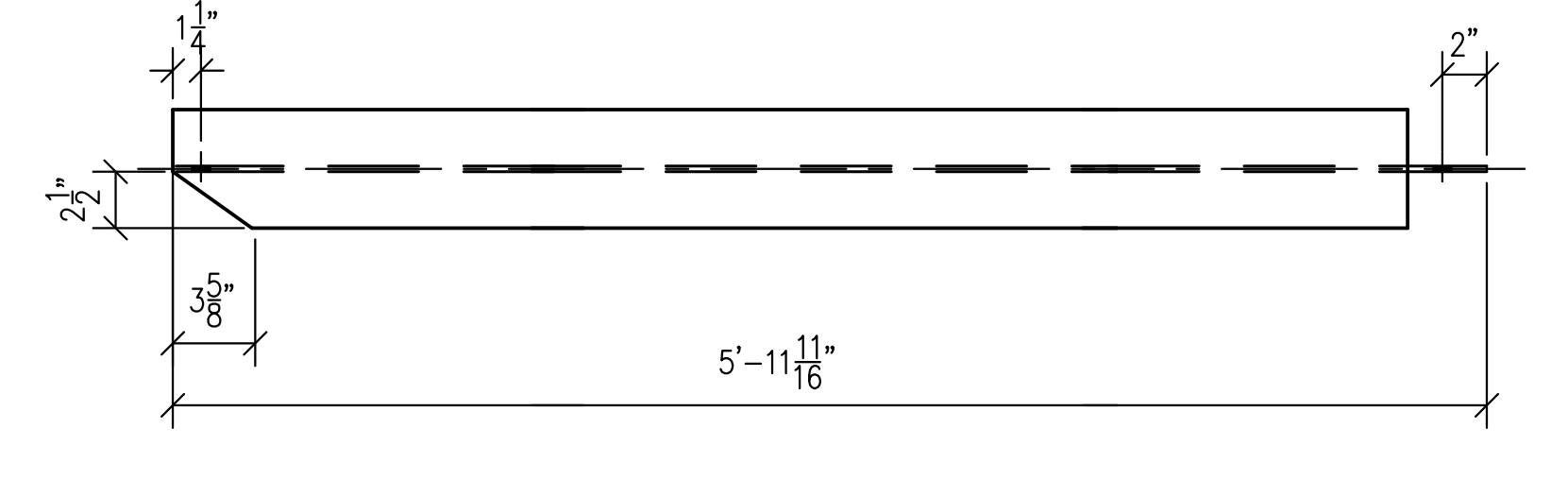
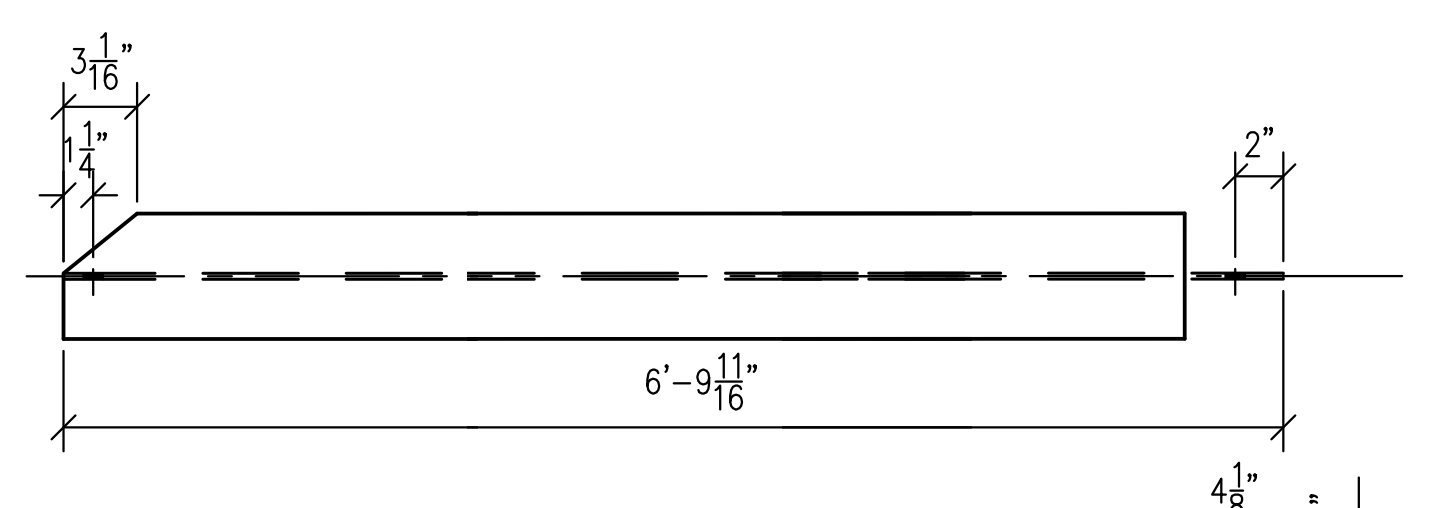
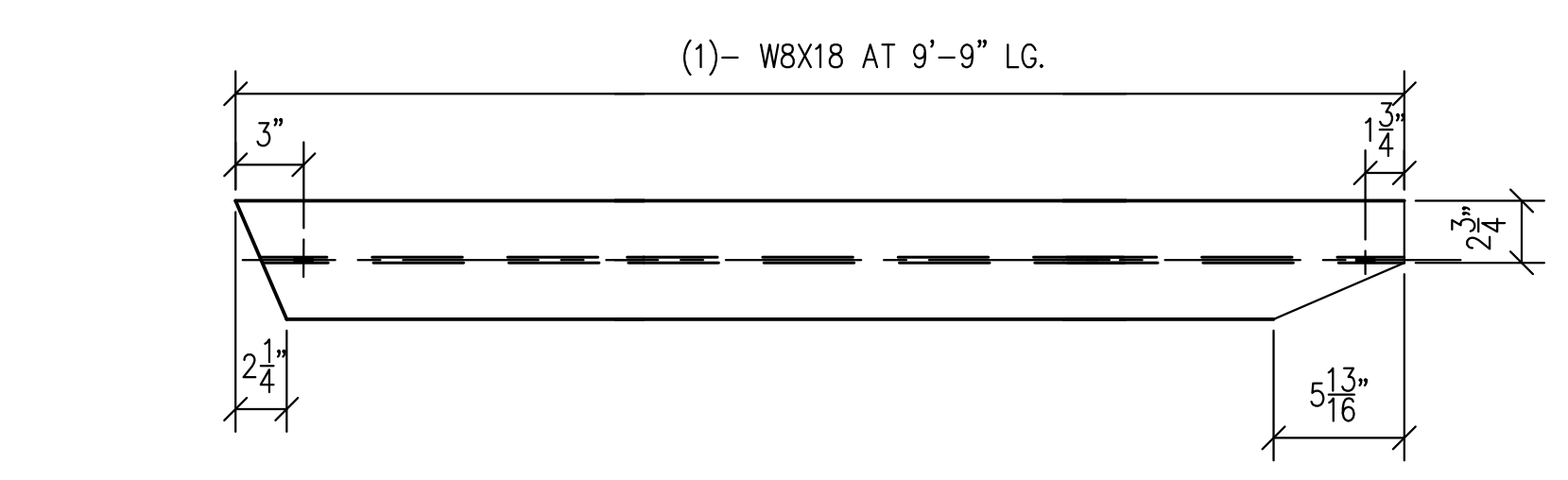
- 1) THE C.C. IS TO RETURN ONE UNWRAPPED COPY TO OUR OFFICE. We require review by both the architect and engineer.
- 2) If Architect/Engineer marks up drawing "REVISED" we will continue this action to mean we are in compliance with contract documents and in fact, these drawings are "REVISED" or "REVISED AS NOTED" unless specifically stated otherwise.
- 3) These drawings are our interpretation of what is necessary to meet your specifications. It is most important, therefore, that they are checked by the C.C./Architect/Engineer against drawings provided by other trades to ensure proper installation by those remaining trades.
- 4) This drawing is for the exclusive use of Hidden Steel.
- 5) Work items must be free of all obstructions prior to steel installation date. This includes ducts, pipes, electrical work, and all other obstructions which prevent direct vertical lift of steel to its final location.
- 6) Should roof or slab penetrations be required, the C.C. is responsible for all roof or slab protection, penetrations and subsequent fire stopping, waterproofing, flashing, etc.
- 7) Location of holes, clips, cuts for other trades, if required by our contract, MUST be shown and/or verified by others on this drawing when submitted for approval.
- 8) Do not scale this drawing.
- 9) New steel is shown as [] existing steel is shown as []

STEEL	PAINT	HOLES	BOLTS	ELECTRODES	
SEE NOTE	HOT-DIP GALVANIZED	13/16"Ø	3/4"Ø A325 (U.N.O.)	E7018 (U.N.O.)	
4/30/2020	STAIR - RELEASE FOR FABRICATION	1	4/30/2020	FOR FAB. & ERECTION	
4/1/2020	PARTIAL RELEASE FOR FABRICATION	1	4/1/2020	FOR FAB. & ERECTION	
3/30/2020	PARTIAL RELEASE FOR FABRICATION	1	3/31/2020	FOR FAB. & ERECTION	
3/26/2020	PARTIAL RELEASE FOR FABRICATION	1	3/26/2020	FOR FAB. & ERECTION	
3/24/2020	PARTIAL RELEASE FOR FABRICATION	1	3/24/2020	FOR FAB. & ERECTION	
2/7/2020	REVISED PER DESIGN CHANGE	1	2/8/2020	APPROVAL	
	FIRST ISSUE	1	11/6/2019	APPROVAL	
NO.	DATE	COMMENTS	NO.	DATE	ISSUED FOR
		REVISIONS			PRINT RECORD

FOR FAB. & ERECTION:
4/30/2020

NOTE:
STEEL TO BE AS FOLLOWS
1. WIDE FLANGE TO BE ASTM A992
2. CHANNELS, PLATES AND ANGLES TO BE ASTM A36
3. HSS TO BE ASTM A500 GRADE B

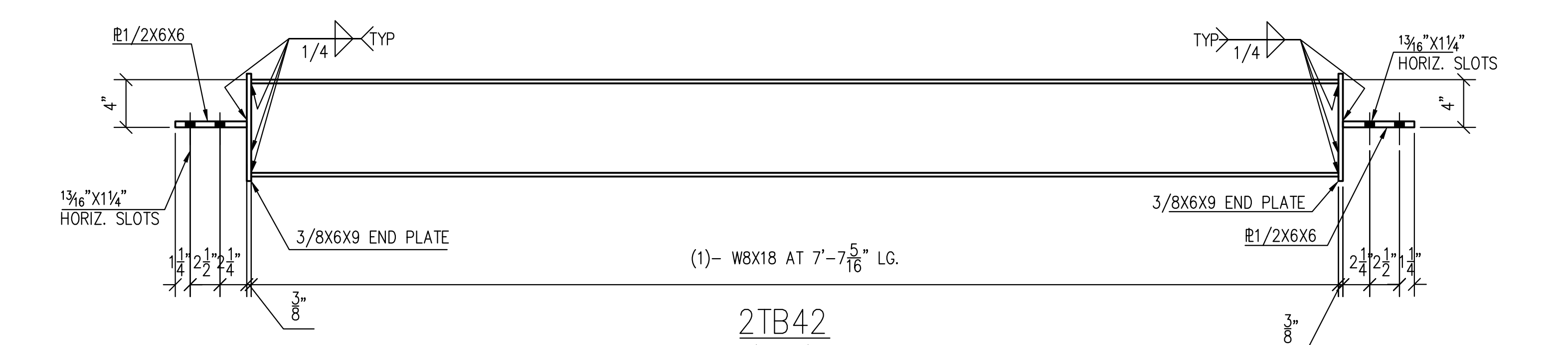
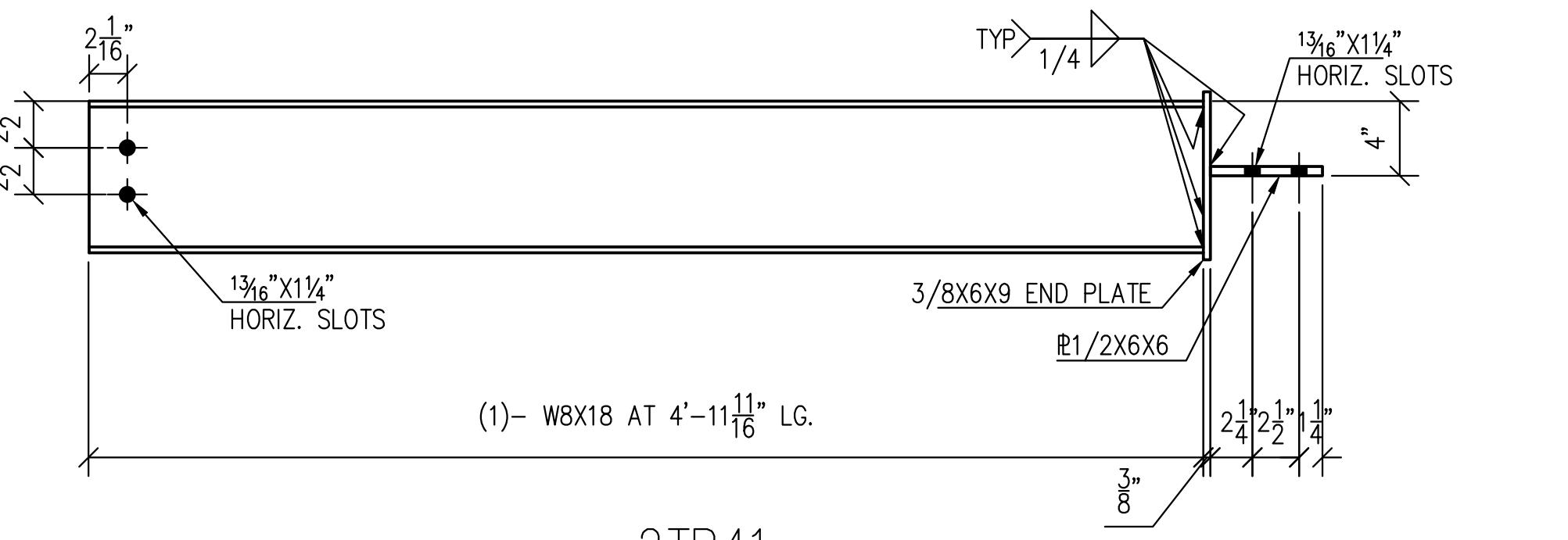
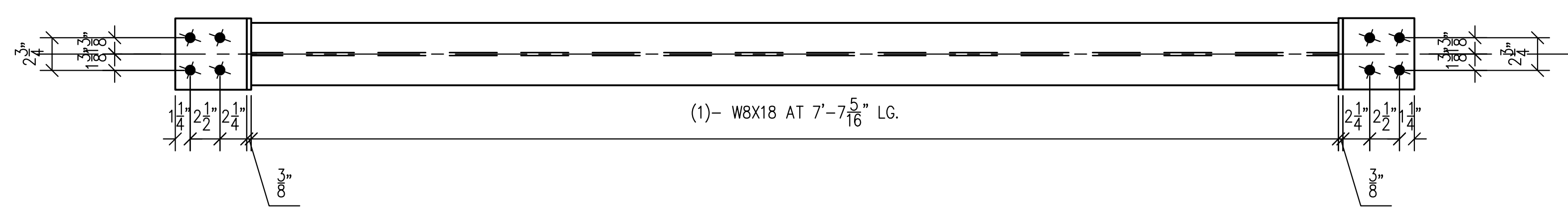
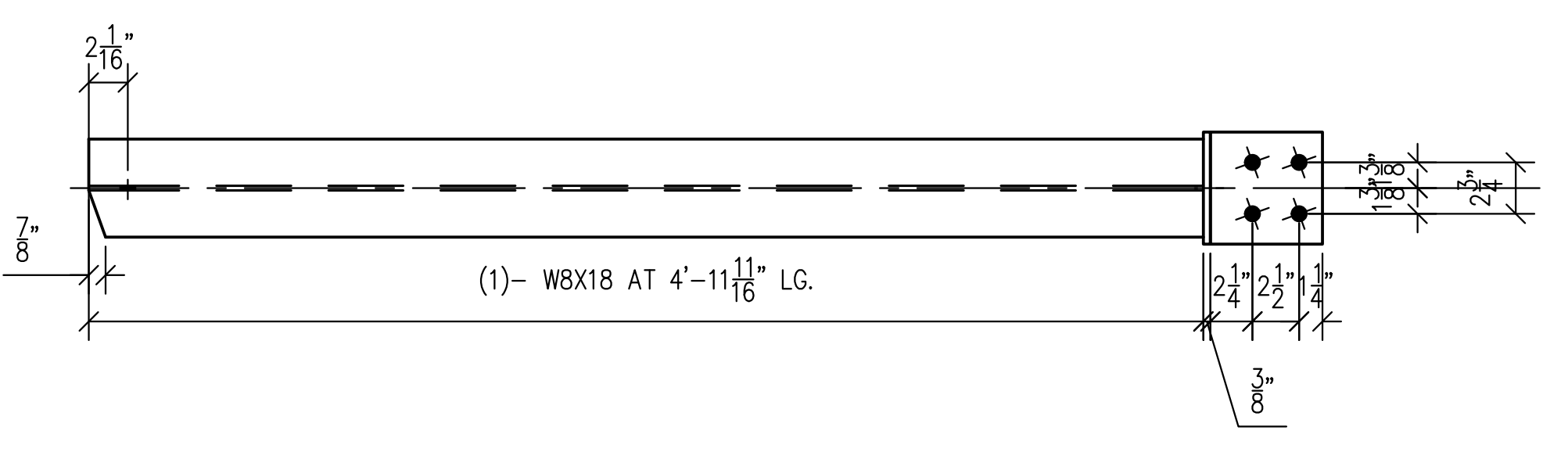
DWG TITLE		ROOF DUNNAGE FRAMING, STAIR, & GUARDRAILS	
PROJECT NAME			
ARCHT		DWG	REF
ENGR		DWG	8-101.00
CONTR		SUPER	8-102.00
DRN BY	CHK'D BY	JOB NO.	SEARCH
TS/OC		4550	
DATE	DATE		DWG NO.
11/4/19			2L



2TB38
(1 REQ.)

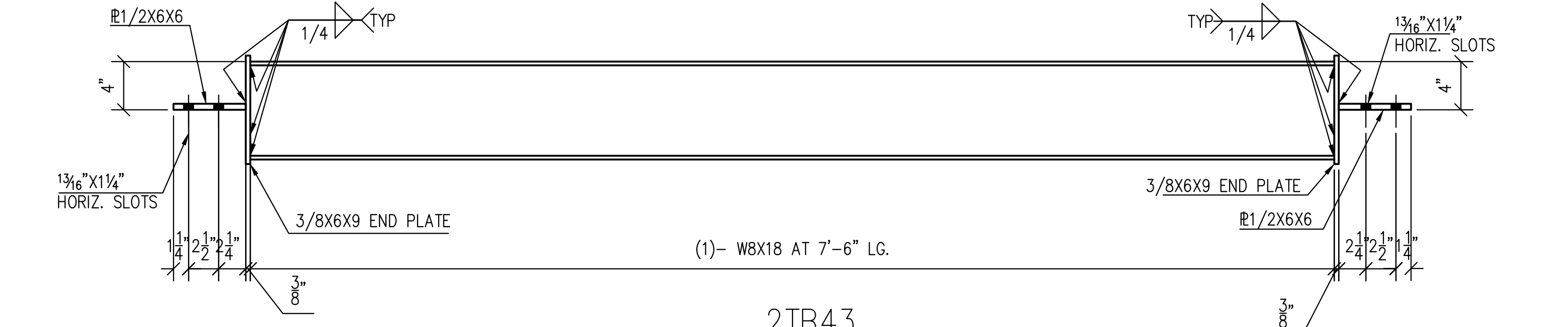
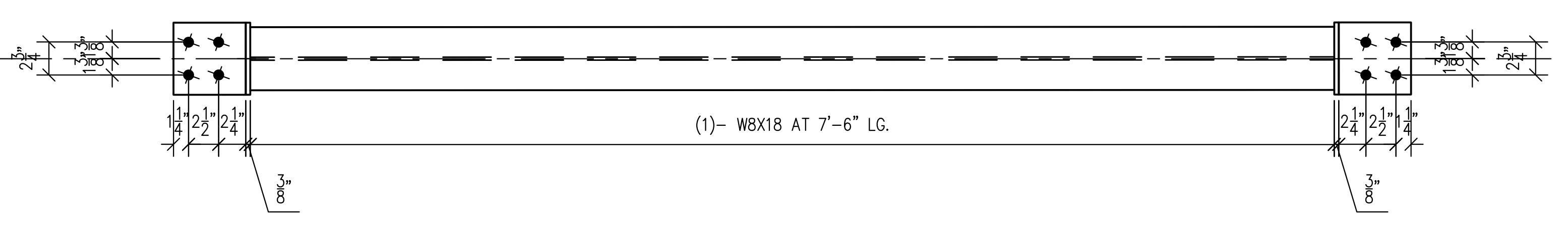
2TB39
(1 REQ.)

2TB40
(1 REQ.)



2TB41
(1 REQ.)

2TB42
(1 REQ.)



2TB43
(1 REQ.)

BILL OF MATERIALS				
REQ.	PC. MARK	SHAPE	LENGTH	REMARKS
1	2TB38	W8X18	9' 9"	-
1	2TB39	W8X18	6' 9 1/16"	-
1	2TB40	W8X18	5' 11 1/16"	-
1	2TB41	W8X18	4' 11 1/16"	-
1	pa26	R3/8X6	0' 9"	-
1	pb26	R1/2X6	0' 6"	-
1	2TB42	W8X18	7' 7 5/16"	-
2	pa26	R3/8X6	0' 9"	-
2	pb26	R1/2X6	0' 6"	-
1	2TB43	W8X18	7' 6"	-
2	pa26	R3/8X6	0' 9"	-
2	pb26	R1/2X6	0' 6"	-

FOR FAB. & ERECTION:
4/30/2020

PLAN NORTH

THE FOLLOWING NOTES ARE AN INTEGRAL OF THIS DRAWING AND OUR CONTRACT:

- 1) THE CLIENT IS TO RETURN ONE WRITTEN COPY TO OUR OFFICE. We require review by both the architect and engineer.
- 2) If installed/Engineer marks as Drawing "REVISED" we will continue this action to meet. We are in compliance with contract documents and in fact, these drawings are "REVISED" or "REVISED AS NOTED" unless specifically stated otherwise.
- 3) These drawings are our interpretation of what is necessary to meet your specifications. It is most important, therefore, that they are checked by the Client/Architect/Engineer against drawings provided by other trades to ensure proper installation to those remaining materials.
- 4) This drawing is for the exclusive use of Hidden Steel.
- 5) Work items must be free of all obstructions prior to steel installation date. This includes ducts, pipes, electrical work, and all other obstructions which prevent direct vertical lift of steel to its final location.
- 6) Should roof or slab penetrations be required, the Client is responsible for all roof or slab penetration and subsequent fire stopping, waterproofing, flashing, etc.
- 7) Location of holes, cuts, cuts for other trades, if required by our contract, MUST be shown and/or verified by others on this drawing when submitted for approval.
- 8) Do not scale this drawing.
- 9) New steel is shown as [] existing steel is shown as []

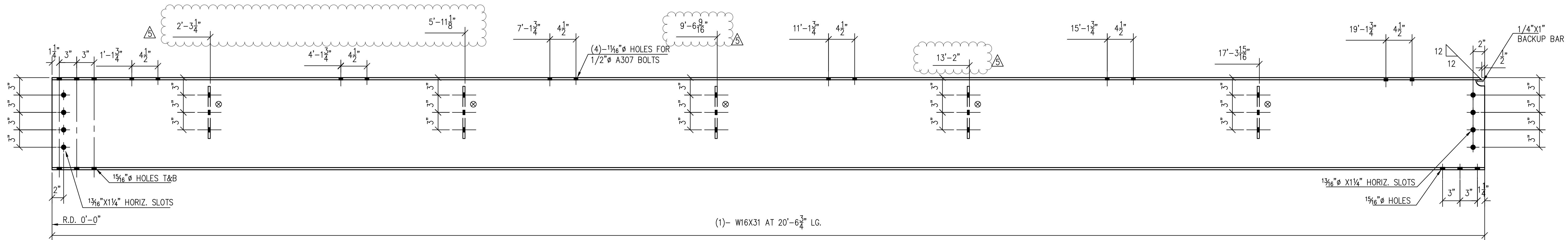
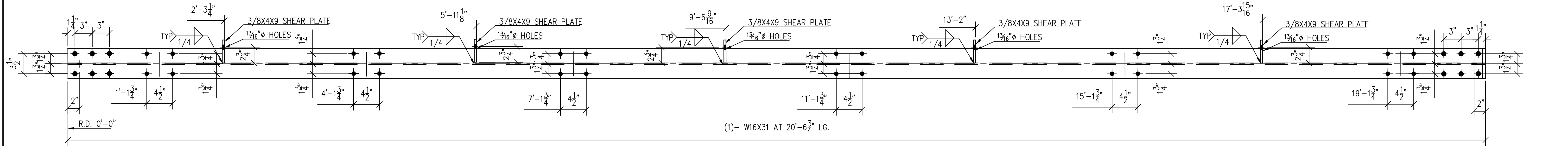
STEEL	PAINT	HOLES	BOLTS	ELECTRODES
SEE NOTE	HOT-DIP GALVANIZED	13/16"Ø	3/4"Ø A325 (U.N.O.)	E7018 (U.N.O.)

NO.	DATE	COMMENTS	NO.	DATE	ISSUED FOR
1	4/30/2020	STAR - RELEASE FOR FABRICATION	1	4/30/2020	FOR FAB. & ERECTION
2	4/1/2020	PARTIAL RELEASE FOR FABRICATION	1	4/1/2020	FOR FAB. & ERECTION
3	3/30/2020	PARTIAL RELEASE FOR FABRICATION	1	3/31/2020	FOR FAB. & ERECTION
4	3/26/2020	PARTIAL RELEASE FOR FABRICATION	1	3/26/2020	FOR FAB. & ERECTION
5	3/24/2020	PARTIAL RELEASE FOR FABRICATION	1	3/24/2020	FOR FAB. & ERECTION
6	2/7/2020	REVISED PER DESIGN CHANGE	1	2/8/2020	APPROVAL
7		FIRST ISSUE	1	11/6/2019	APPROVAL

NOTE:
STEEL TO BE AS FOLLOWS
1. WIDE FLANGE TO BE ASTM A992
2. CHANNELS, PLATES AND ANGLES TO BE ASTM A36
3. HSS TO BE ASTM A500 GRADE B

DWG TITLE		PROJECT NAME	
ROOF DUNNAGE FRAMING, STAIR, & GUARDRAILS			
ARCHT		DWG REF	
ENGR		DWG REF	8-101.00
CONTR		DWG REF	8-102.00
DRN BY	CHK'D BY	JOB NO.	SEARCH
TS/OC		4550	-
DATE			DWG NO.
11/4/19			2T

BILL OF MATERIALS				
REQ.	PC. MARK	SHAPE	LENGTH	REMARKS
1	3AB63	W16X31	20' 6 3/4"	-
5	pc19	#3/8X4	0' 9"	-



3AB63
(1 REQ.)

FOR FAB. & ERECTION:
4/30/2020

PLAN NORTH

THE FOLLOWING NOTES ARE AN INTEGRAL OF THIS DRAWING AND OUR CONTRACT:

- 1) THE C.C. IS TO RETURN ONE WORKED-UP COPY TO OUR OFFICE. We require review by both the architect and engineer.
- 2) If Architect/Engineer marks up drawing "REVISED" we will continue this action to meet. We are in compliance with contract documents and in fact, these drawings are "REVISED" or "APPROVED AS NOTED" unless specifically stated otherwise.
- 3) These drawings are our interpretation of what is necessary to meet your specifications. It is most important, therefore, that they are checked by the C.C./Architect/Engineer against drawings provided by other trades to ensure proper installation by those remaining trades.
- 4) This drawing is for the exclusive use of Hidden Steel.
- 5) Work areas must be free of all obstructions prior to steel installation date. This includes ducts, pipes, electrical work, and all other obstructions which prevent direct vertical lift of steel to its final location.
- 6) Should roof or slab penetrations be required, the C.C. is responsible for all roof or slab protection, penetrations and subsequent fire stopping, waterproofing, flashing, etc.
- 7) Location of holes, clips, cuts for other trades, if required by our contract, MUST be shown and/or verified by others on this drawing when submitted for approval.
- 8) Do not scale this drawing.
- 9) New steel is shown as [] existing steel is shown as []

STEEL	PAINT	HOLES	BOLTS	ELECTRODES
SEE NOTE	HOT-DIP GALVANIZED	13/16"Ø	3/4"Ø A325 (U.N.O.)	E7018 (U.N.O.)

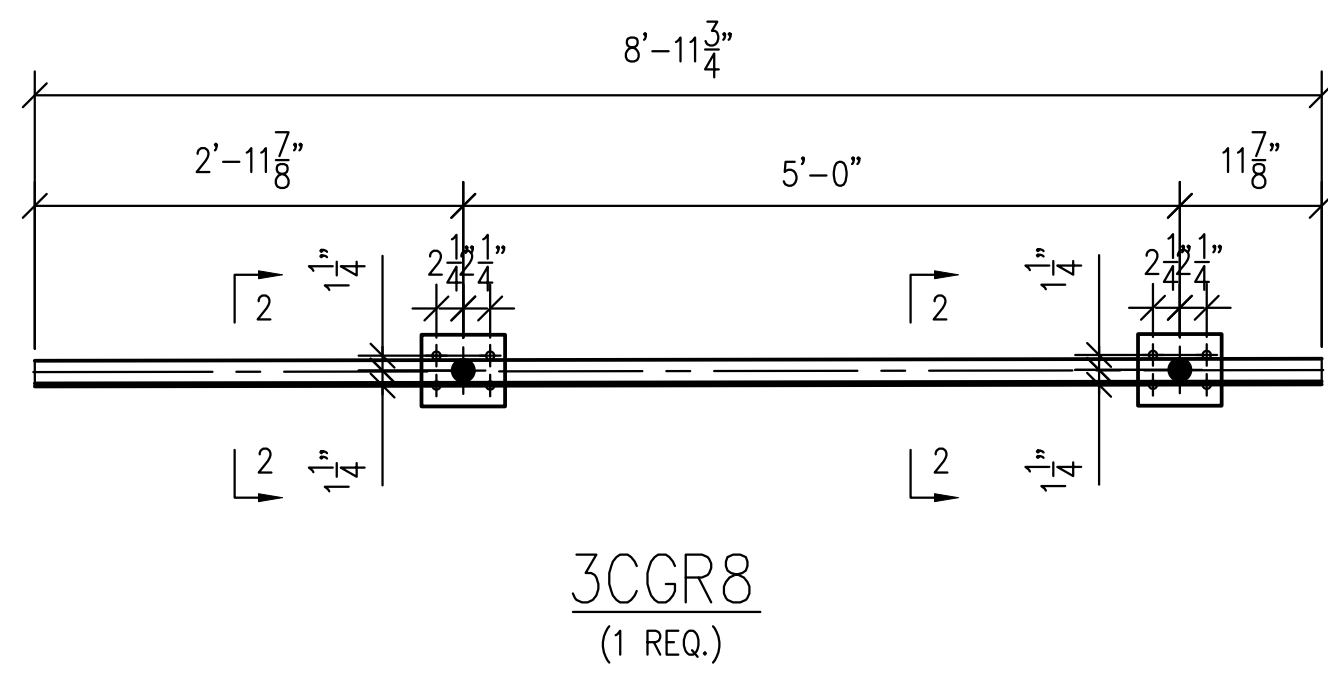
NO.	DATE	COMMENTS	NO.	DATE	ISSUED FOR
1	4/30/2020	STAR - RELEASE FOR FABRICATION	1	4/30/2020	FOR FAB. & ERECTION
2	4/1/2020	PARTIAL RELEASE FOR FABRICATION	1	4/1/2020	FOR FAB. & ERECTION
3	3/30/2020	PARTIAL RELEASE FOR FABRICATION	1	3/31/2020	FOR FAB. & ERECTION
4	3/26/2020	PARTIAL RELEASE FOR FABRICATION	1	3/26/2020	FOR FAB. & ERECTION
5	3/24/2020	PARTIAL RELEASE FOR FABRICATION	1	3/24/2020	FOR FAB. & ERECTION
6	2/7/2020	REVISED PER DESIGN CHANGE	1	2/8/2020	APPROVAL
7		FIRST ISSUE	1	11/6/2019	APPROVAL

DWG TITLE: ROOF DUNNAGE FRAMING, STAIR, & GUARDRAILS

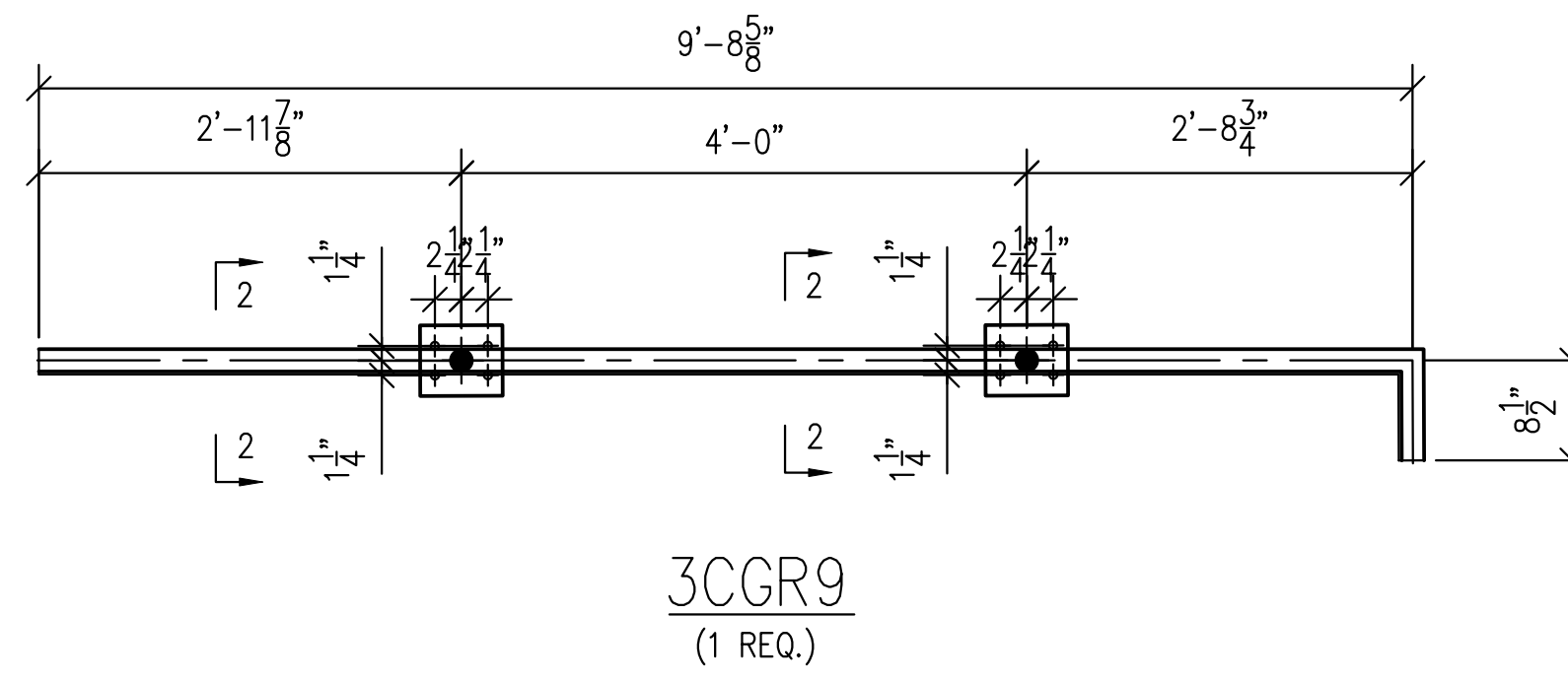
PROJECT NAME:

ARCHT		DWG REF	
ENGR		DWG REF	8-101.00
CONTR		DWG REF	8-102.00
DRN BY	CHK'D BY	JOB NO.	SEARCH
TS/OC		4550	-
DATE	DATE		DWG NO.
11/4/19			3A

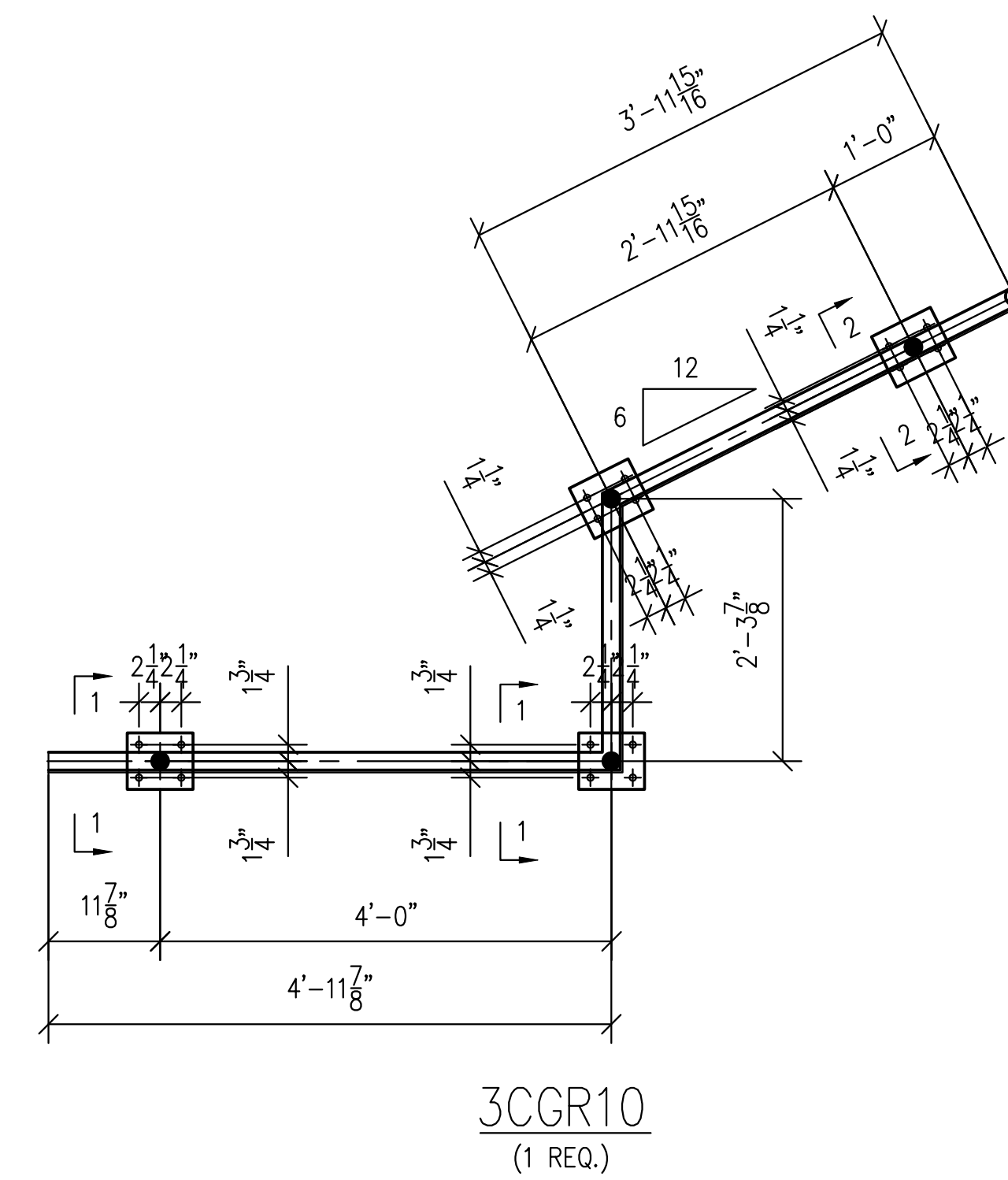
NOTE:
STEEL TO BE AS FOLLOWS
1. WIDE FLANGE TO BE ASTM A992
2. CHANNELS, PLATES AND ANGLES TO BE ASTM A36
3. HSS TO BE ASTM A500 GRADE B



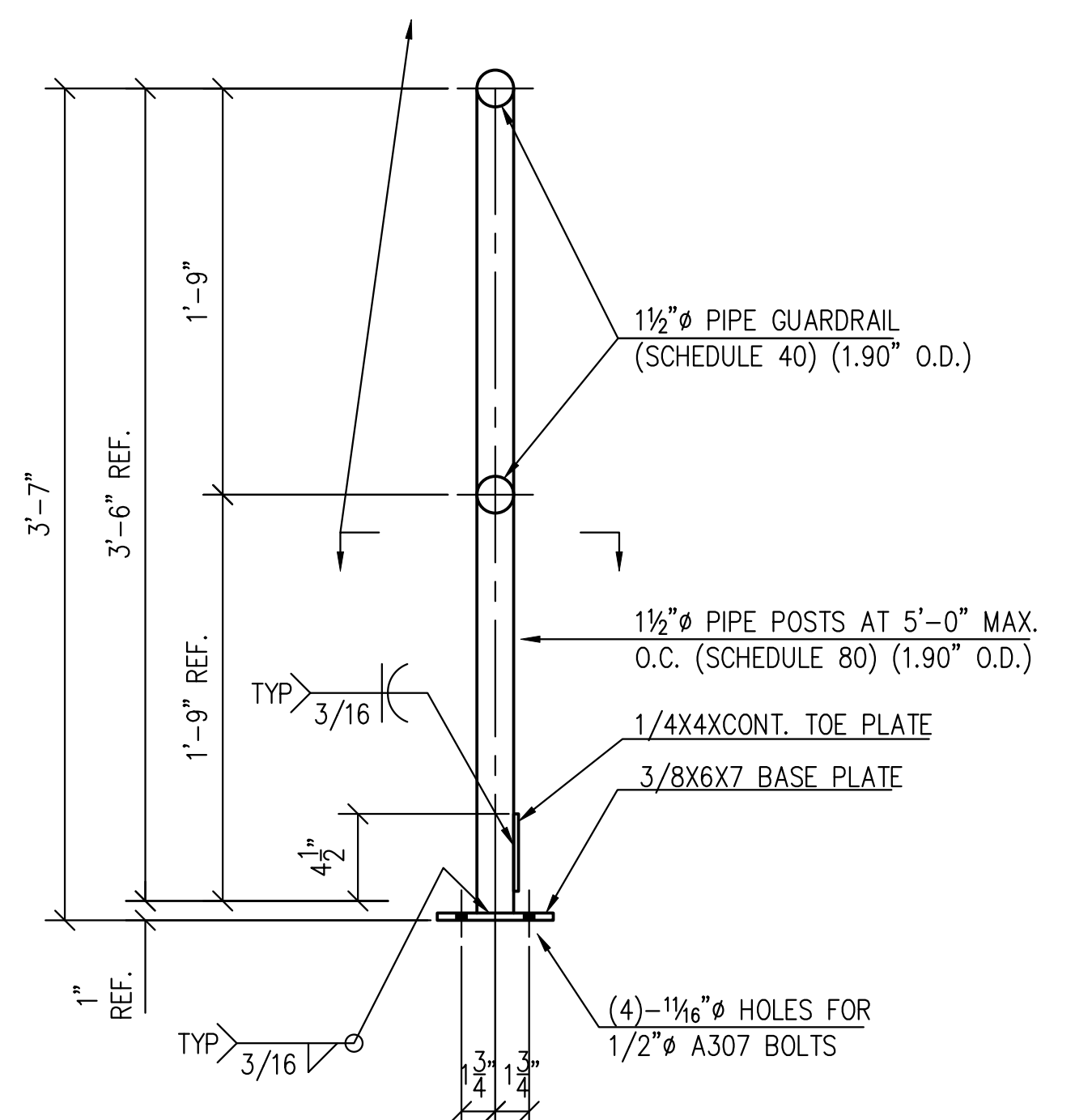
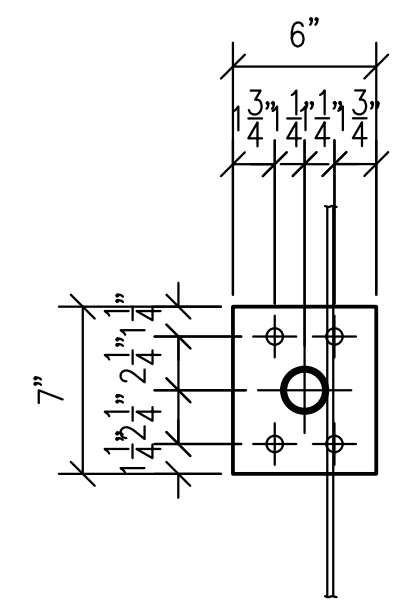
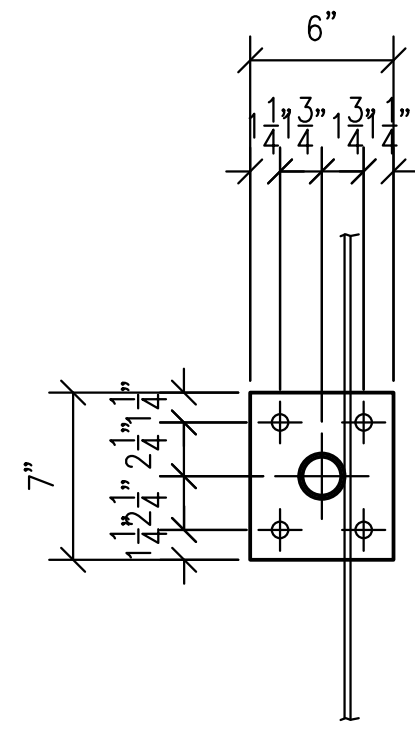
3CGR8
(1 REQ.)



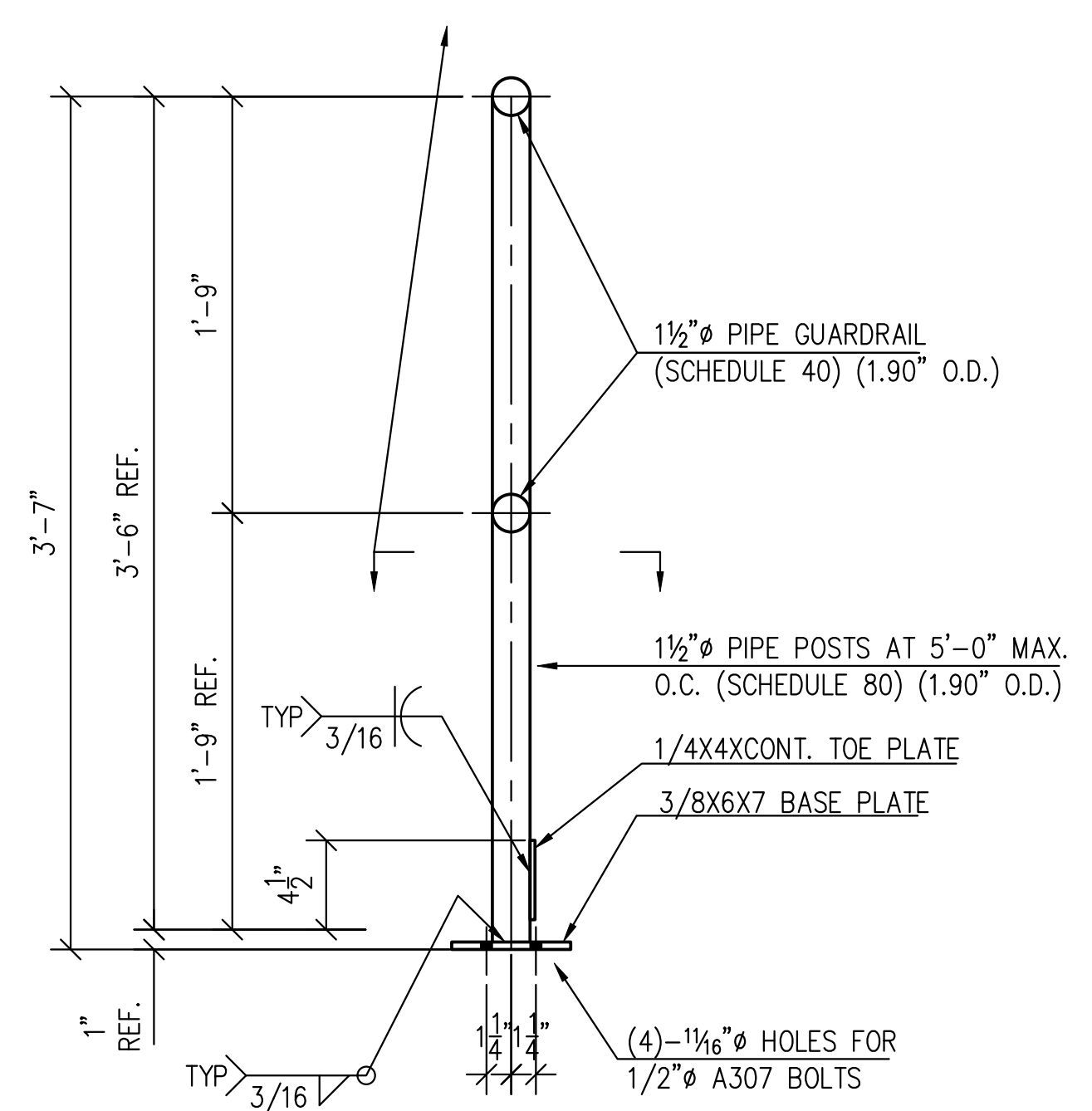
3CGR9
(1 REQ.)



3CGR10
(1 REQ.)



DETAIL 1
SCALE 1 1/2"=1'-0"



DETAIL 2
SCALE 1 1/2"=1'-0"

BILL OF MATERIALS				
REQ.	PC. MARK	SHAPE	LENGTH	REMARKS
1	3CGR8	GUARDRAIL ASSEMBLY	-	-
LF	GUARDRAIL	1 1/2"Ø PIPE GUARDRAIL	18 LF	SCH. 40
2	POSTS	1 1/2"Ø PIPE GUARDRAIL	3' 7"±	SCH. 80
2	pb34	Ø3/8X6	0' 7"	-
LF	KICK Ⓢ	Ø1/4X4	9 LF	-
1	3CGR9	GUARDRAIL ASSEMBLY	-	-
LF	GUARDRAIL	1 1/2"Ø PIPE GUARDRAIL	21 LF	SCH. 40
2	POSTS	1 1/2"Ø PIPE GUARDRAIL	3' 7"±	SCH. 80
2	pb34	Ø3/8X6	0' 7"	-
LF	KICK Ⓢ	Ø1/4X4	11 LF	-
1	3CGR10	GUARDRAIL ASSEMBLY	-	-
LF	GUARDRAIL	1 1/2"Ø PIPE GUARDRAIL	24 LF	SCH. 40
4	POSTS	1 1/2"Ø PIPE GUARDRAIL	3' 7"±	SCH. 80
2	pa34	Ø3/8X6	0' 7"	-
2	pb34	Ø3/8X6	0' 7"	-
LF	KICK Ⓢ	Ø1/4X4	12 LF	-

FOR FAB. & ERECTION:
4/30/2020

NO.	DATE	COMMENTS	NO.	DATE	ISSUED FOR
1	4/30/2020	STAR - RELEASE FOR FABRICATION	1	4/30/2020	FOR FAB. & ERECTION
2	4/1/2020	PARTIAL RELEASE FOR FABRICATION	1	4/1/2020	FOR FAB. & ERECTION
3	3/30/2020	PARTIAL RELEASE FOR FABRICATION	1	3/31/2020	FOR FAB. & ERECTION
4	3/26/2020	PARTIAL RELEASE FOR FABRICATION	1	3/26/2020	FOR FAB. & ERECTION
5	3/24/2020	PARTIAL RELEASE FOR FABRICATION	1	3/24/2020	FOR FAB. & ERECTION
6	2/7/2020	REVISED PER DESIGN CHANGE	1	2/8/2020	APPROVAL
7		FIRST ISSUE	1	11/6/2019	APPROVAL

DWG TITLE: ROOF DUNNAGE FRAMING, STAIR, & GUARDRAILS
PROJECT NAME: _____

NOTE:
STEEL TO BE AS FOLLOWS
1. WIDE FLANGE TO BE ASTM A992
2. CHANNELS, PLATES AND ANGLES TO BE ASTM A36
3. HSS TO BE ASTM A500 GRADE B

ARCHT	_____	DWG REF	_____
ENGR	_____	DWG REF	8-101.00
CONTR	_____	DWG REF	8-102.00
DRN BY	TS/OC	SEARCH	_____
DATE	11/4/19	JOB NO.	4550
		SEARCH	_____
		DWG NO.	3C

