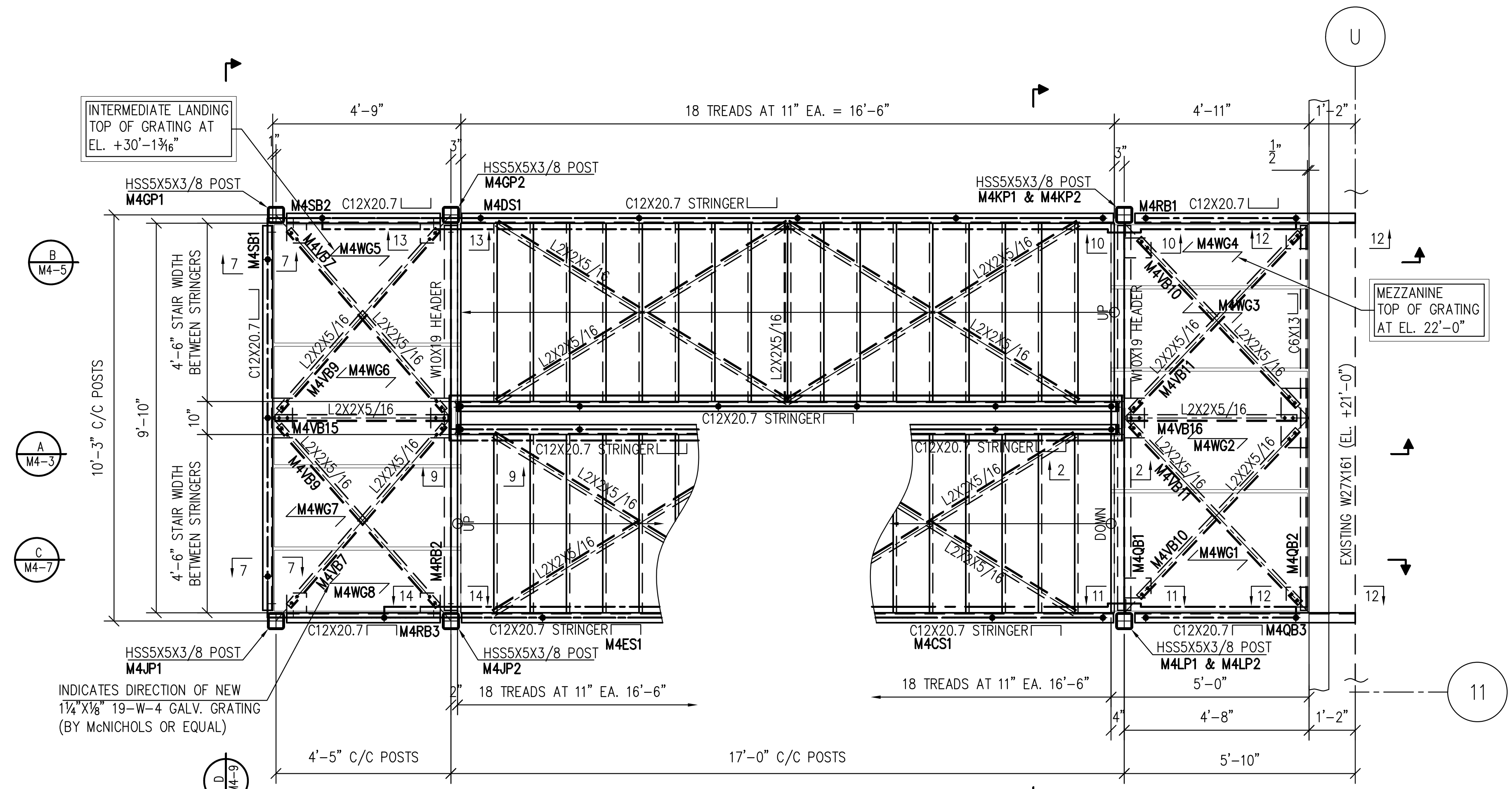
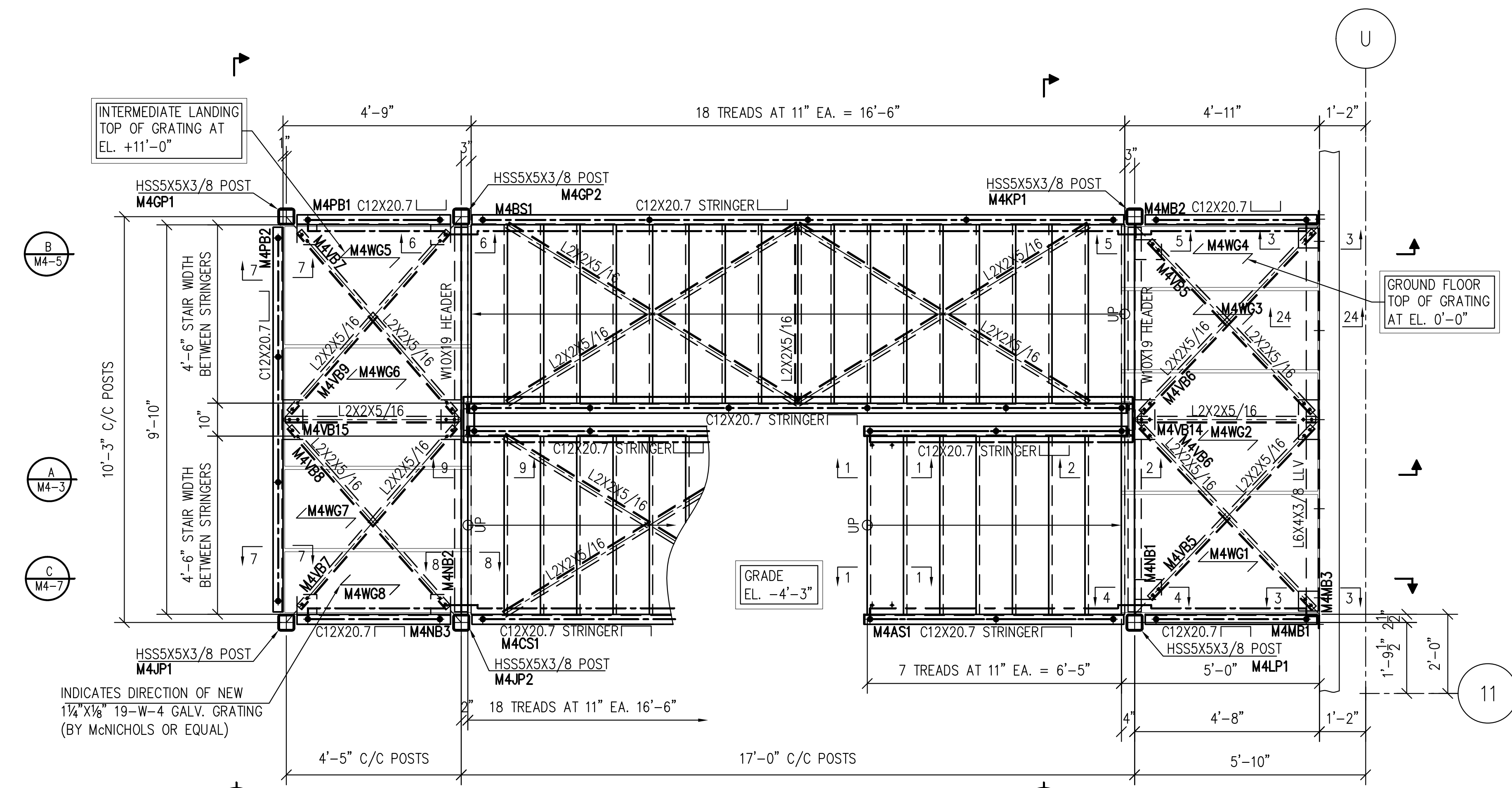


DETAIL KEY:
 M4-AB: TYPICAL BASE PLATE DETAILS
 M4-2: TYPICAL DETAILS
 M4-10: DETAILS 1-12
 M4-11: DETAILS 13-26



PARTIAL MEZZANINE PLAN
 SCALE 1/2"=1'-0"



PARTIAL GROUND FLOOR PLAN
 SCALE 1/2"=1'-0"

GENERAL NOTES:

1. V.I.F. INDICATES DIMENSION TO BE VERIFIED IN FIELD
2. F.V. INDICATES FIELD VERIFIED DIMENSION
3. ALL CHANNELS, ANGLES, AND PLATES TO BE ASTM A36 U.O.N.
4. ALL WIDE FLANGE SECTIONS TO BE ASTM A992 U.O.N.
5. ALL HSS SECTIONS TO BE ASTM A500 GRADE B U.O.N.
6. ALL PIPE TO BE ASTM A500 GRADE B U.O.N.
7. ALL MECHANICAL TUBE TO BE ASTM A513 U.O.N.

REVISION	DESCRIPTION	DATE	BY
2	SHOP DRAWINGS FOR FAB. & ERECTION	1/11/2017	TS
1	SHOP DRAWINGS FOR COORDINATION	11/16/2016	TS
0	SHOP DRAWINGS FOR APPROVAL	10/20/2016	TS

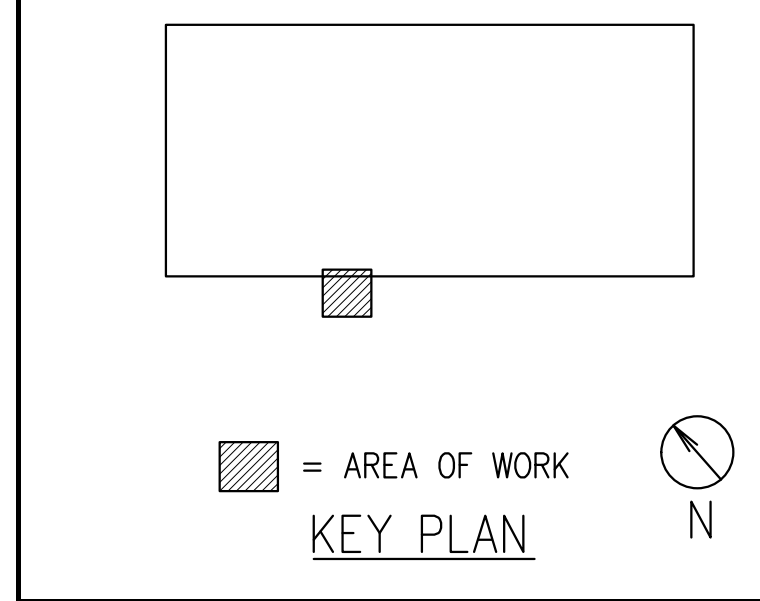
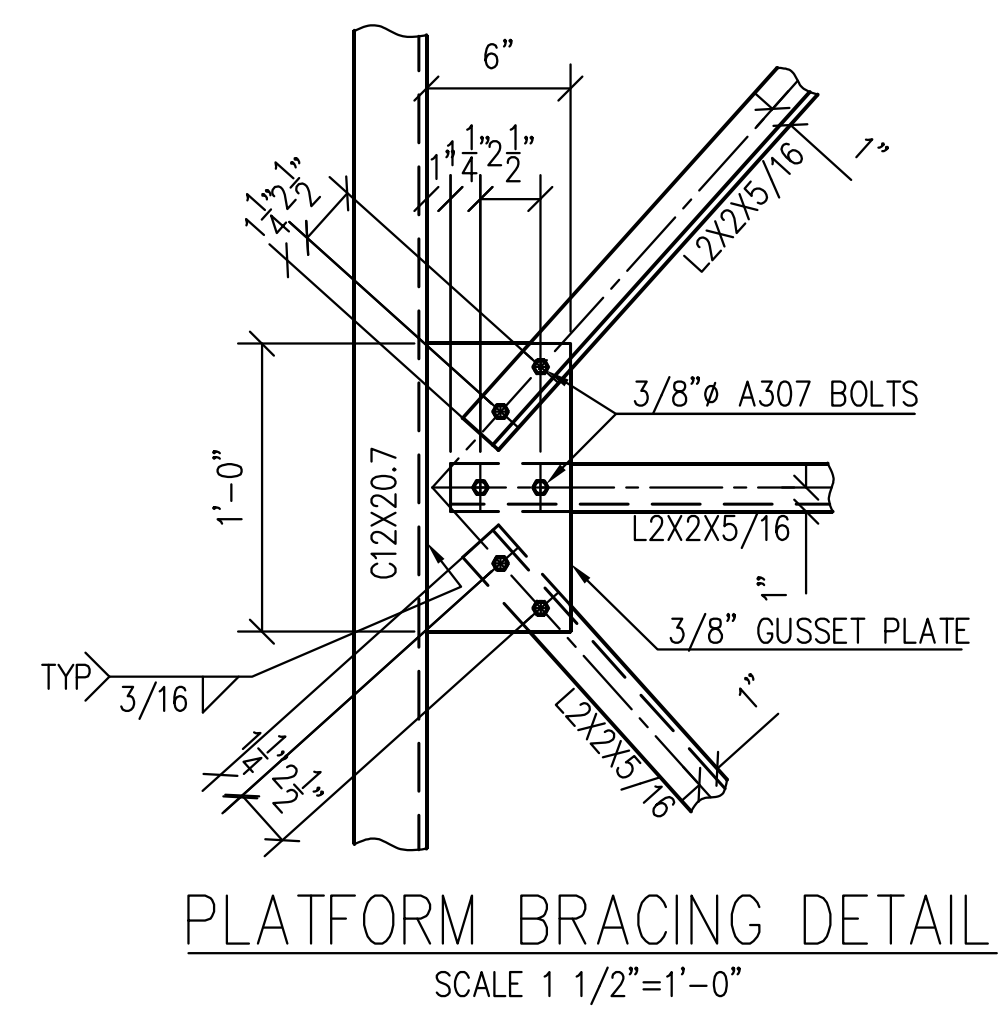
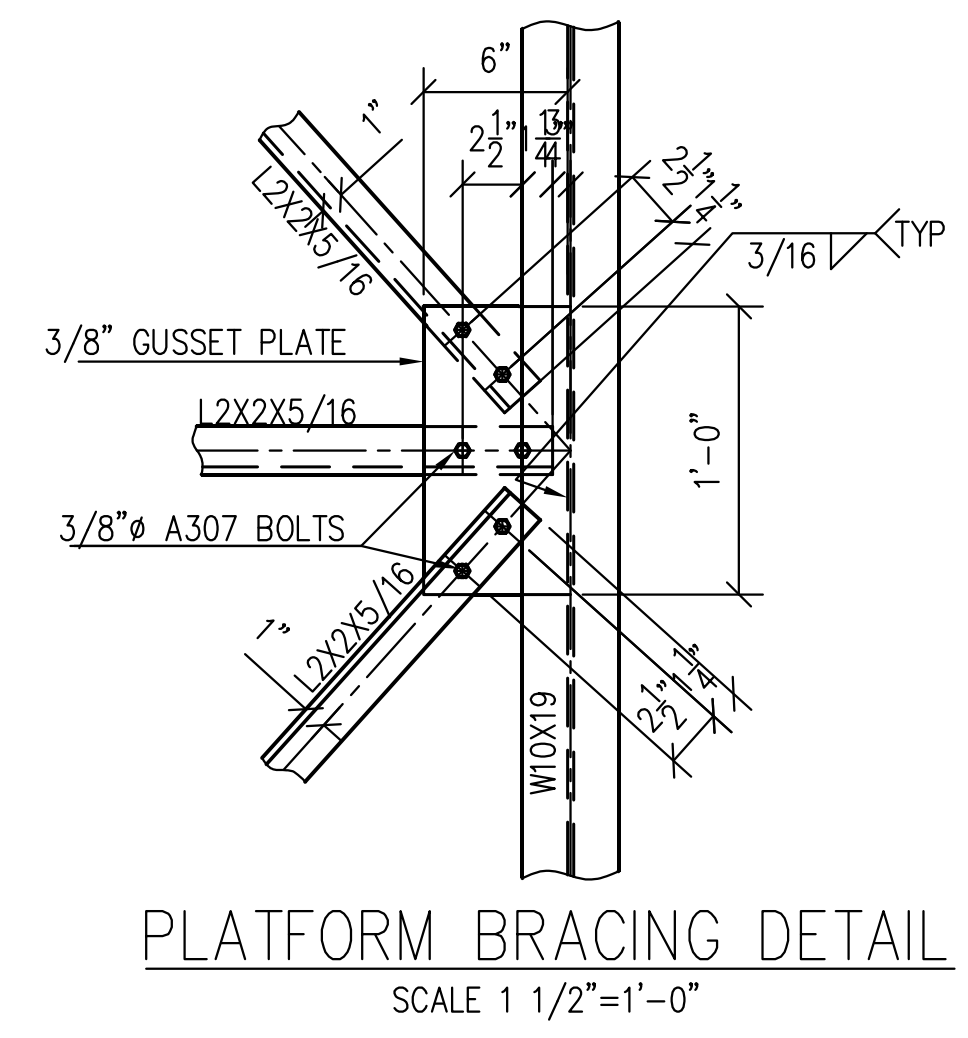
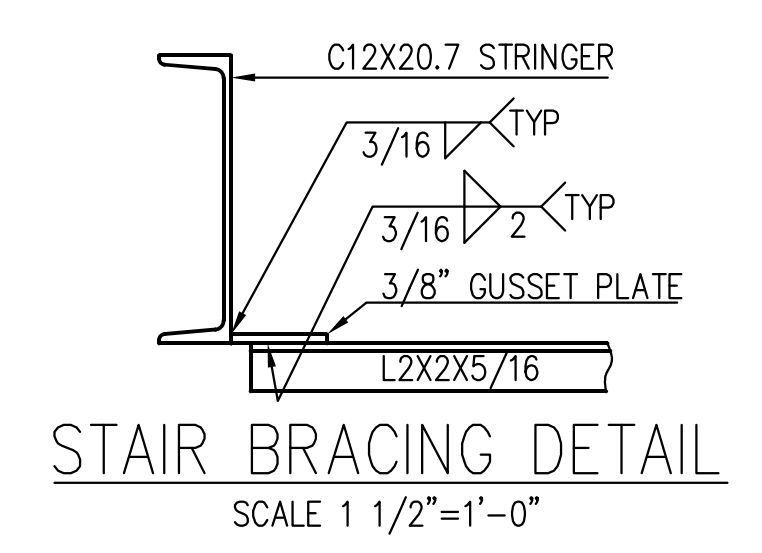
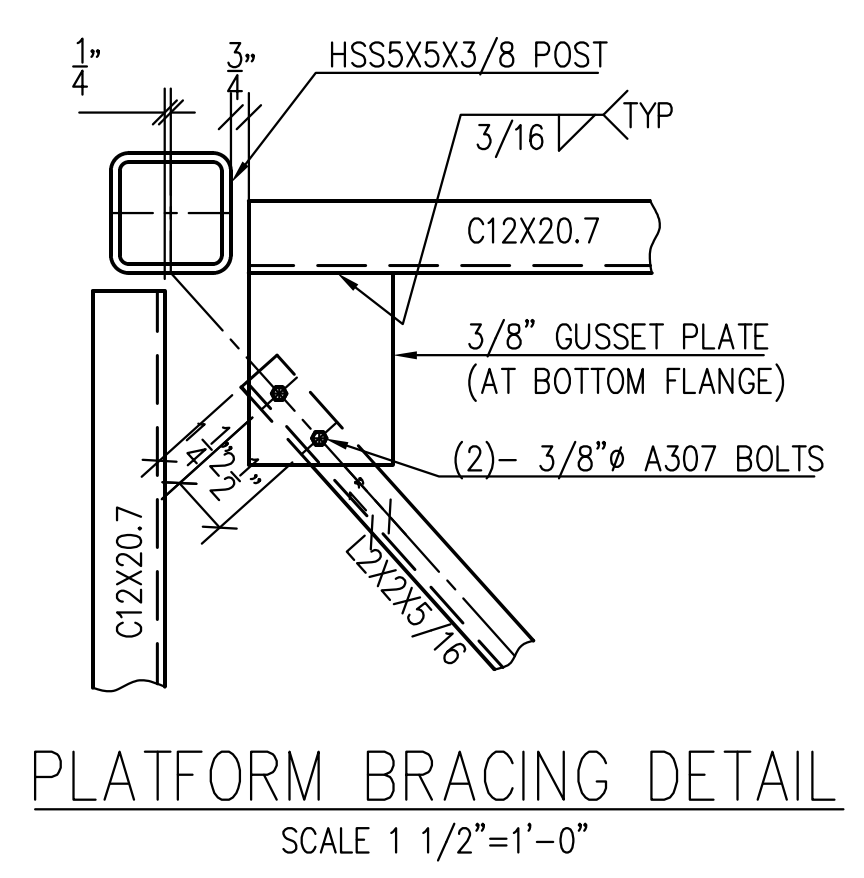
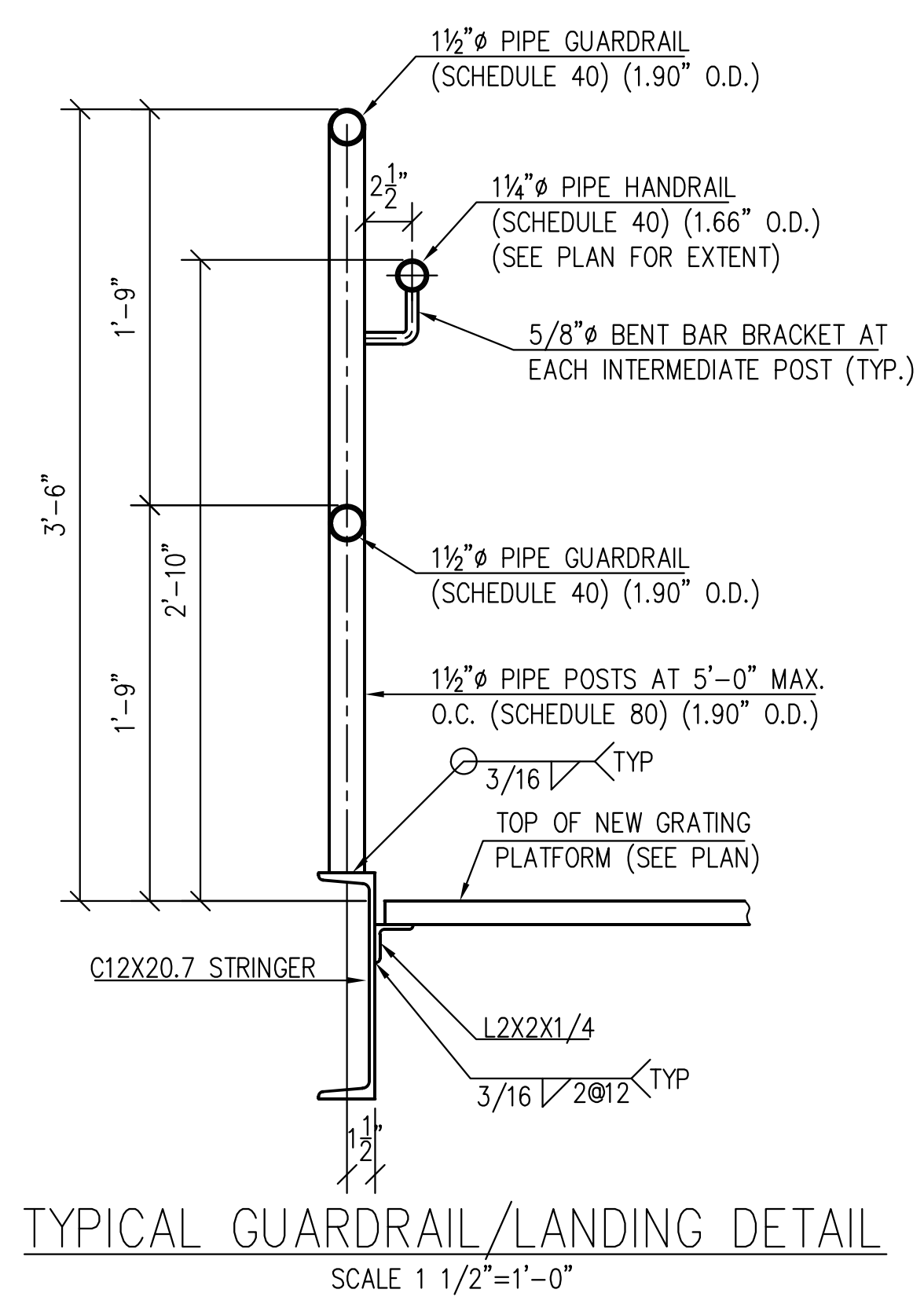
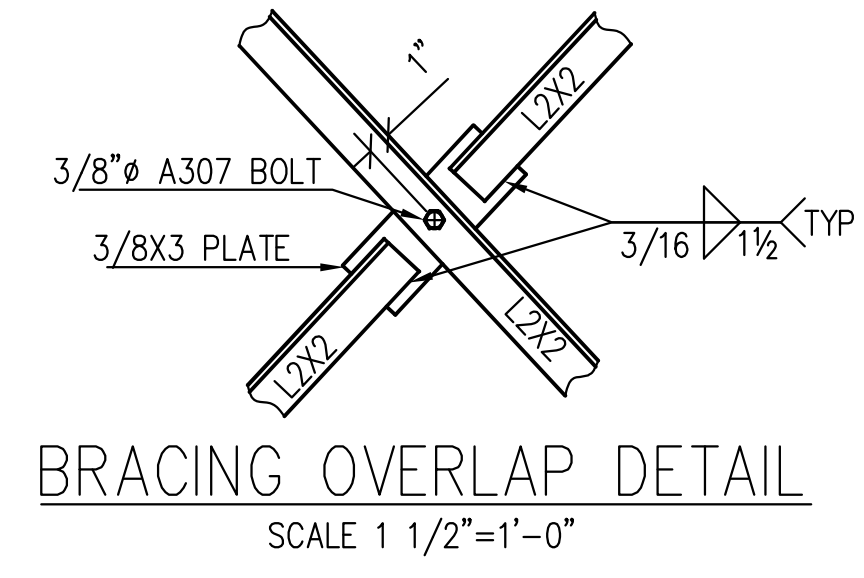
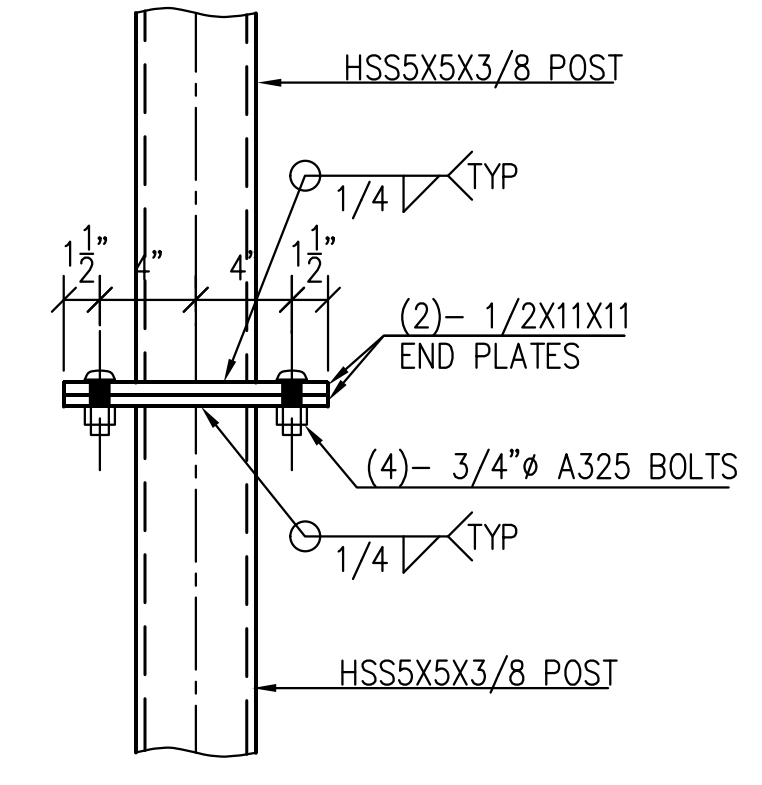
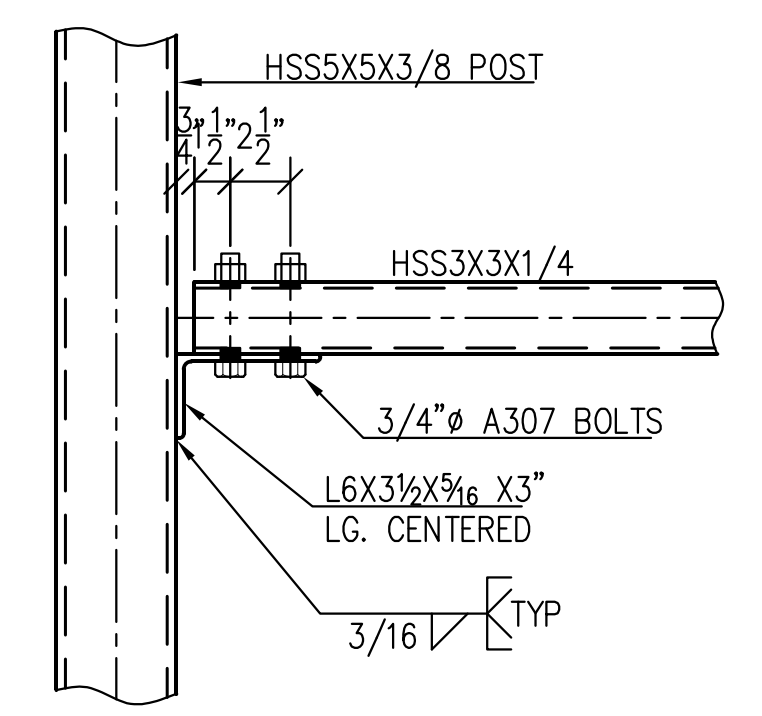
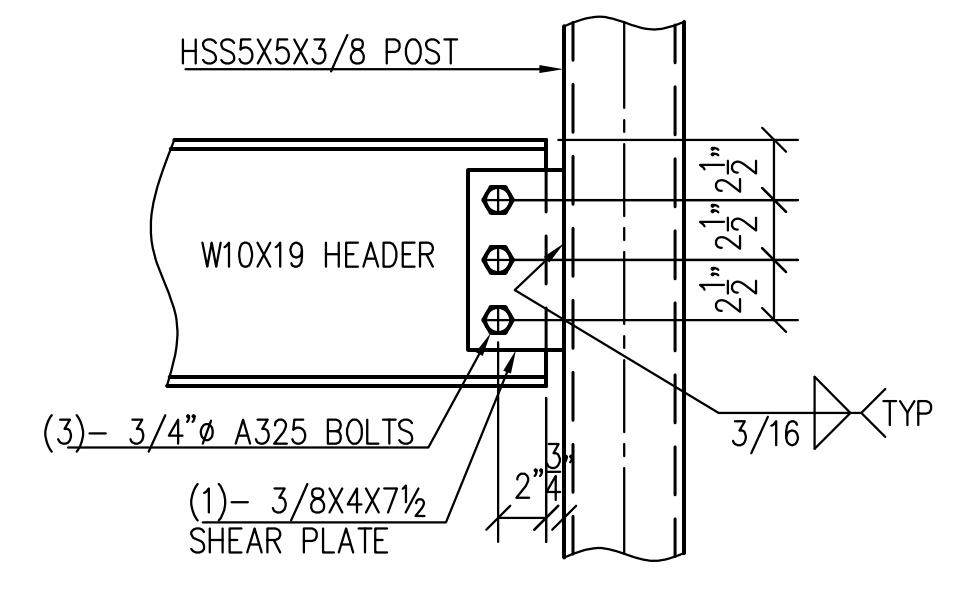
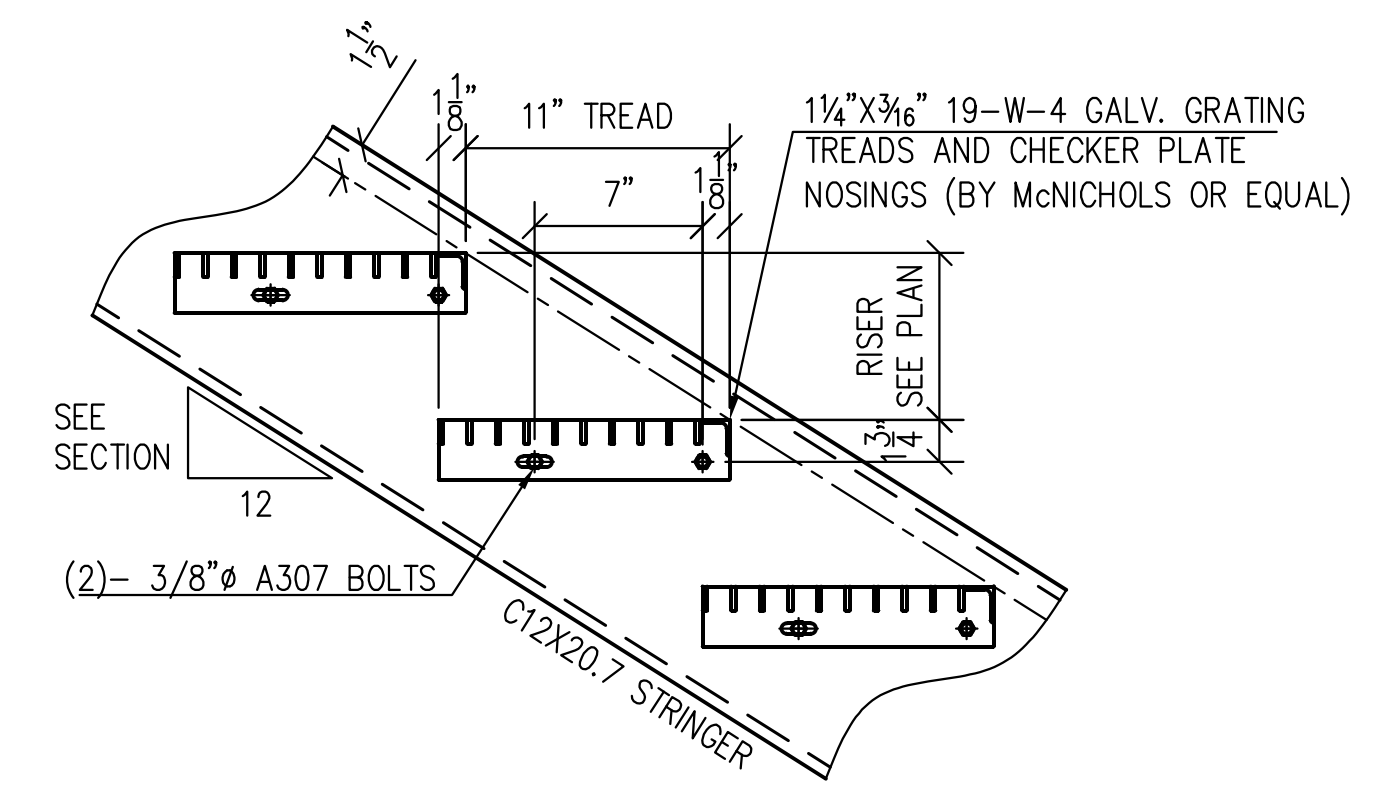
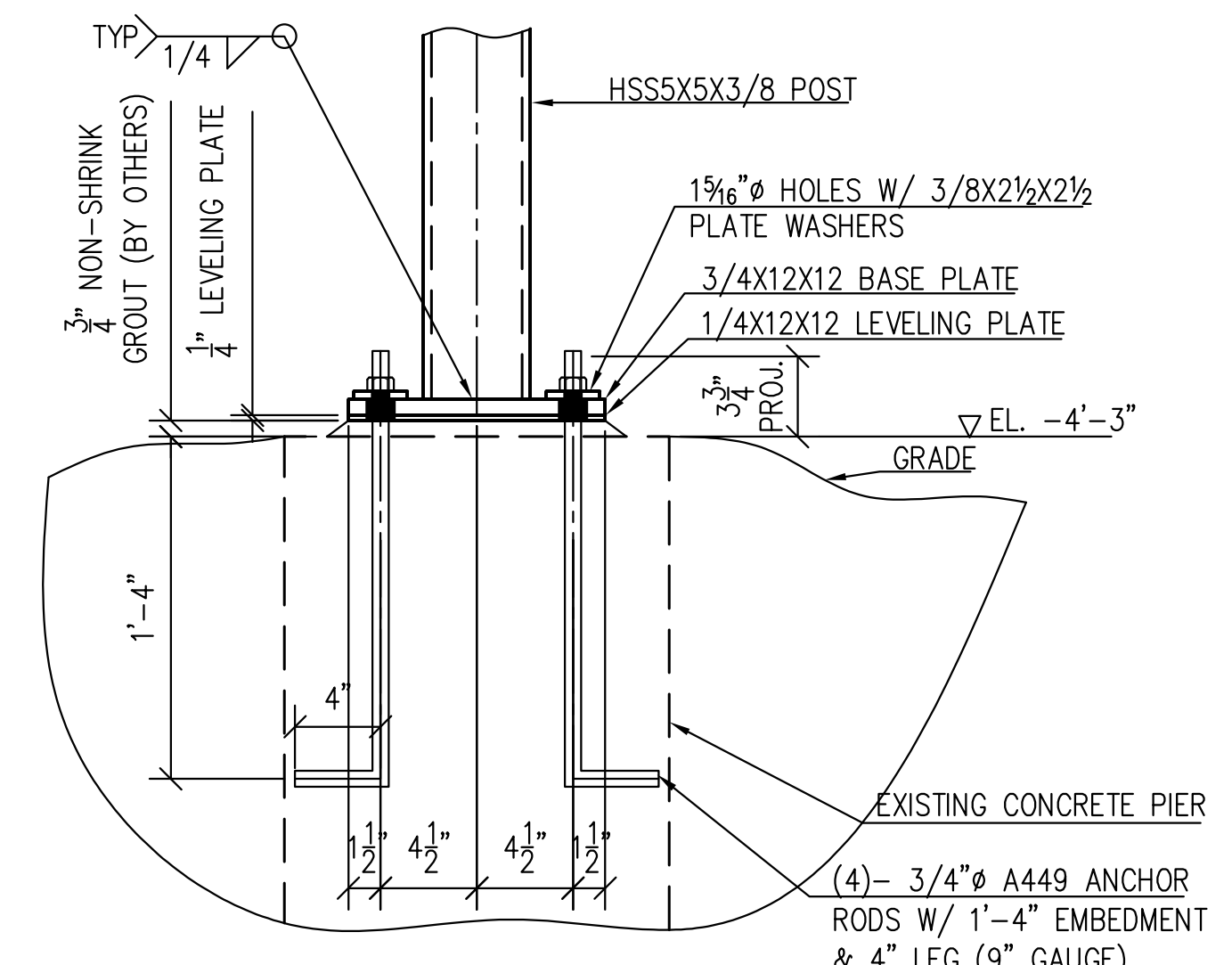
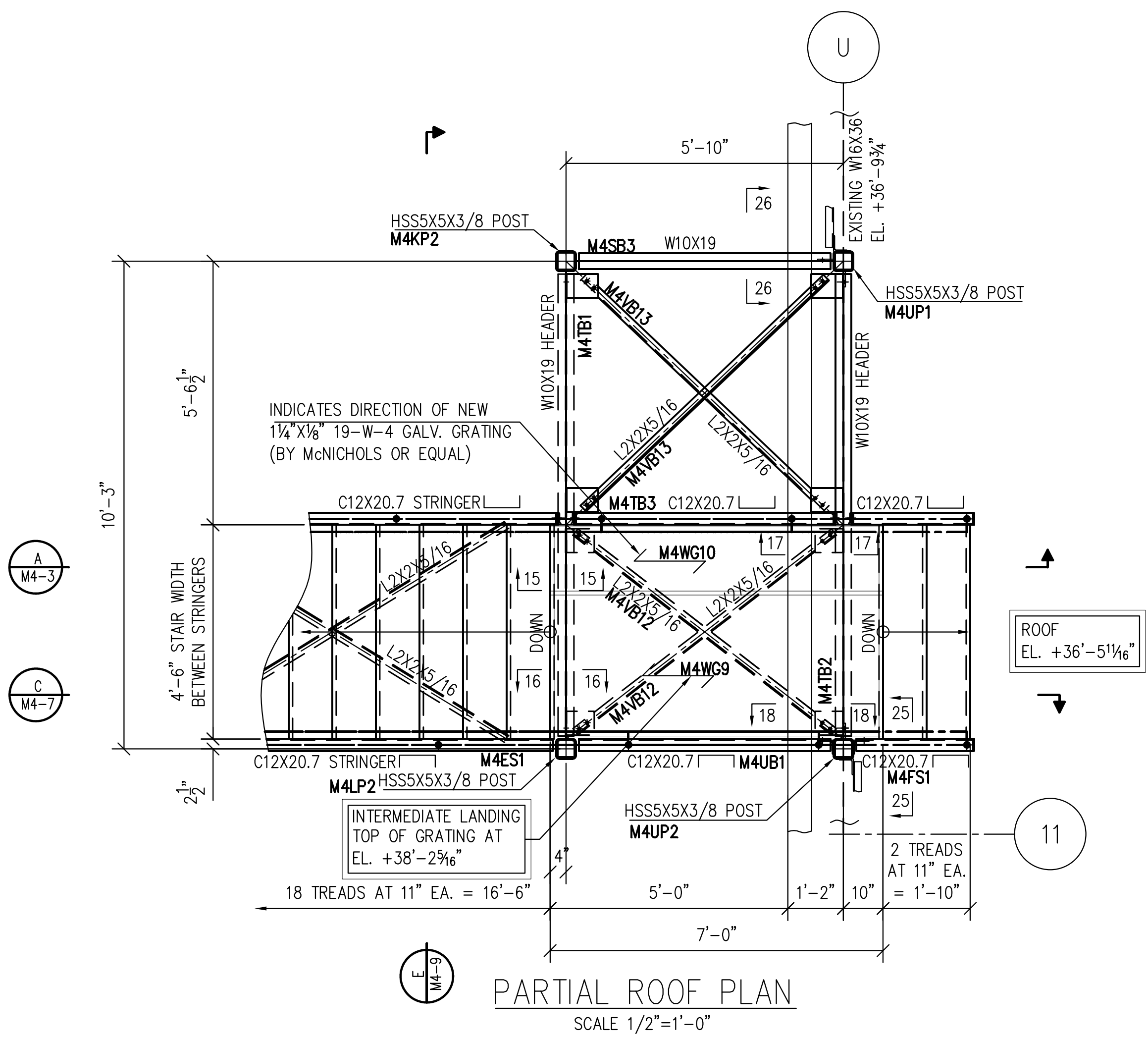
WELDS: E70XX U.O.N. HOLES: 1/16" Ø U.O.N.
 FINISH: HOT-DIPPED GALVANIZED U.O.N.



FOR FAB. & ERECTION:
 1/10/2017

REFERENCE DESIGN DRAWINGS:
 A-302, S-507

JOB NAME: LIDL DISTRIBUTION CENTER	ITEM NUMBER: -
JOB NUMBER: -	DATE: 1/12/2017
JOB LOCATION: PERRYSVILLE, MD	DETAILER: TS
GENERAL CONTRACTOR:	DRAWING NO.: M4-1
ITEM: EXTERIOR GRATING STAIR (3/A302)	



DETAIL KEY:
M4-AB: TYPICAL BASE PLATE DETAILS
M4-2: TYPICAL DETAILS
M4-10: DETAILS 1-12
M4-11: DETAILS 13-26

- GENERAL NOTES:**
1. V.I.F. INDICATES DIMENSION TO BE VERIFIED IN FIELD
 2. F.V. INDICATES FIELD VERIFIED DIMENSION
 3. ALL CHANNELS, ANGLES, AND PLATES TO BE ASTM A36 U.O.N.
 4. ALL WIDE FLANGE SECTIONS TO BE ASTM A992 U.O.N.
 5. ALL HSS SECTIONS TO BE ASTM A500 GRADE B U.O.N.
 6. ALL PIPE TO BE ASTM A500 GRADE B U.O.N.
 7. ALL MECHANICAL TUBE TO BE ASTM A513 U.O.N.

REVISION	DESCRIPTION	DATE	BY
2	SHOP DRAWINGS FOR FAB. & ERECTION	1/11/2017	TS
1	SHOP DRAWINGS FOR COORDINATION	11/16/2016	TS
0	SHOP DRAWINGS FOR APPROVAL	10/20/2016	TS

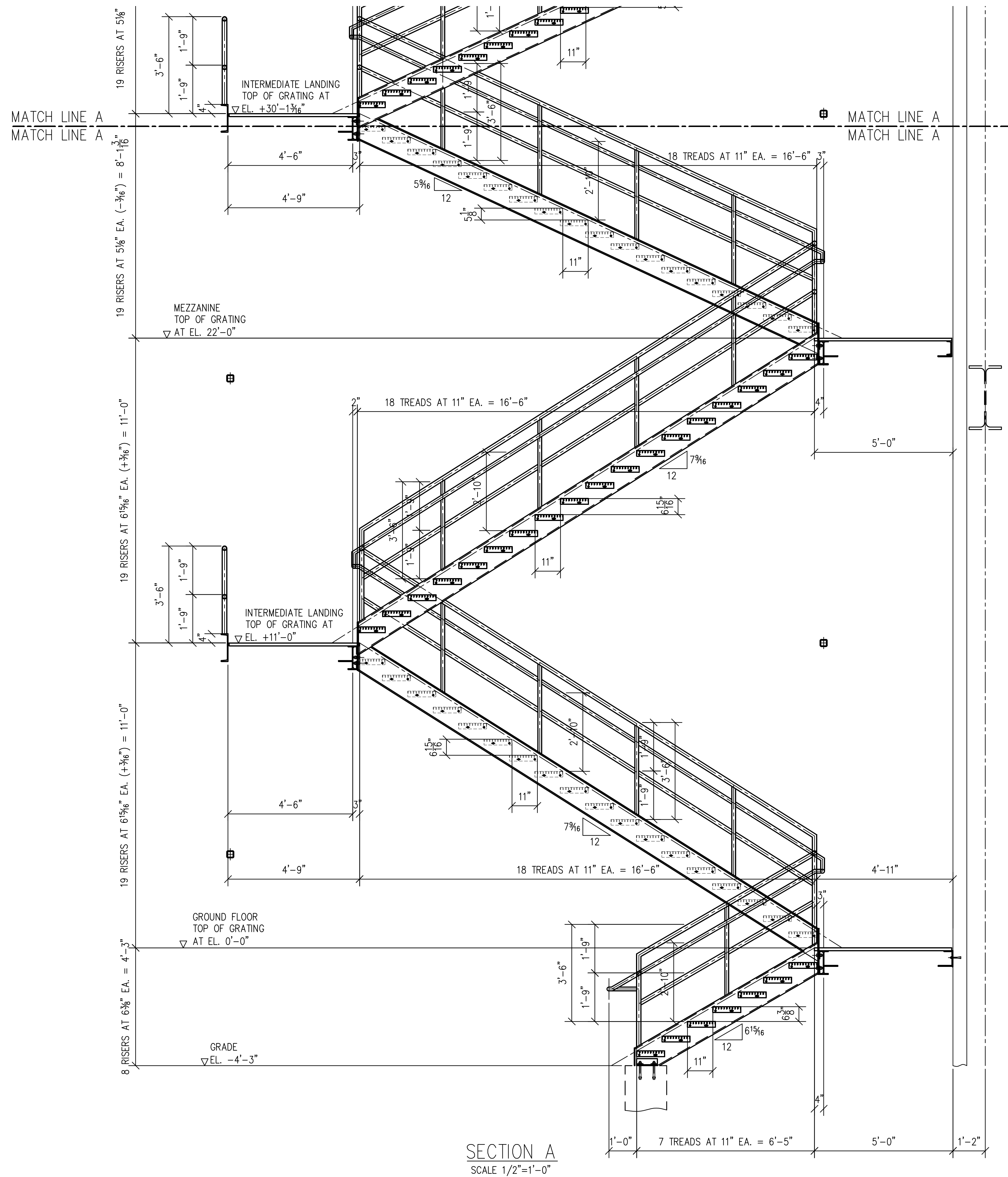
WELDS: E70XX U.O.N. HOLES: 1/16" O.U.N.
FINISH: HOT-DIPPED GALVANIZED U.O.N.

OC ON CENTER
STEEL DETAILING LLC
OCSTEELDETAILING@GMAIL.COM

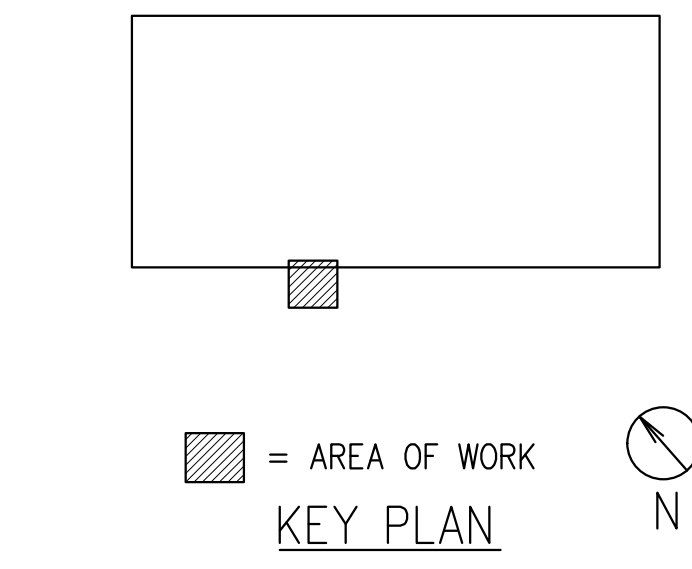
FOR FAB. & ERECTION:
1/10/2017

REFERENCE DESIGN DRAWINGS:
A-302, S-507

JOB NAME: LIDL DISTRIBUTION CENTER	ITEM NUMBER: -
JOB NUMBER: -	
JOB LOCATION: PERRYVILLE, MD	DATE: 1/12/2017
GENERAL CONTRACTOR:	DETAILER: TS
ITEM: EXTERIOR GRATING STAIR (3/A302)	DRAWING NO.: M4-2



SECTION A
SCALE 1/2"=1'-0"



DETAIL KEY:
M4-AB: TYPICAL BASE PLATE DETAILS
M4-2: TYPICAL DETAILS
M4-10: DETAILS 1-12
M4-11: DETAILS 13-26

GENERAL NOTES:

1. V.I.F. INDICATES DIMENSION TO BE VERIFIED IN FIELD
2. F.V. INDICATES FIELD VERIFIED DIMENSION
3. ALL CHANNELS, ANGLES, AND PLATES TO BE ASTM A36 U.O.N.
4. ALL WIDE FLANGE SECTIONS TO BE ASTM A992 U.O.N.
5. ALL HSS SECTIONS TO BE ASTM A500 GRADE B U.O.N.
6. ALL PIPE TO BE ASTM A500 GRADE B U.O.N.
7. ALL MECHANICAL TUBE TO BE ASTM A513 U.O.N.

REVISION	DESCRIPTION	DATE	BY
2	SHOP DRAWINGS FOR FAB. & ERECTION	1/11/2017	TS
1	SHOP DRAWINGS FOR COORDINATION	11/16/2016	TS
0	SHOP DRAWINGS FOR APPROVAL	10/20/2016	TS

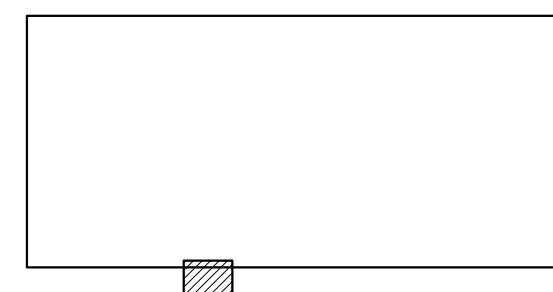
WELDS: E70XX U.O.N. HOLES: 1/16" Ø U.O.N.
FINISH: HOT-DIPPED GALVANIZED U.O.N.



FOR FAB. & ERECTION:
1/10/2017

REFERENCE DESIGN DRAWINGS:
A-302, S-507

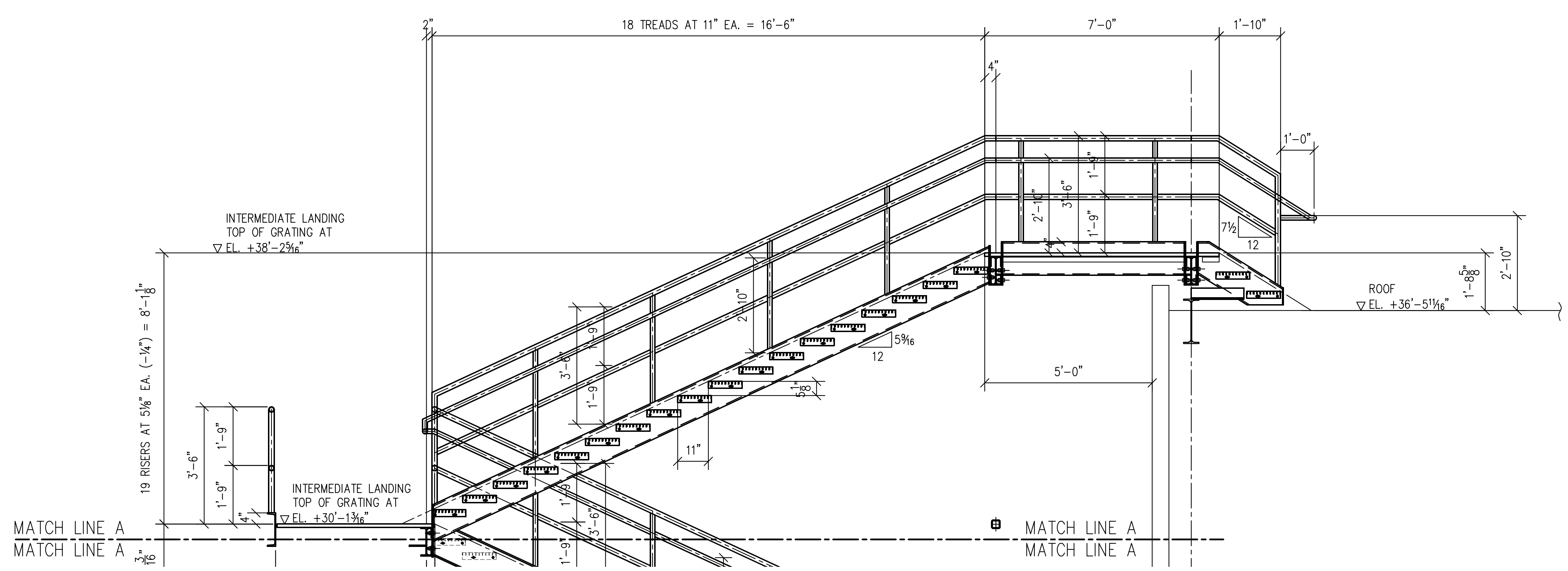
JOB NAME: LIDL DISTRIBUTION CENTER	ITEM NUMBER: -
JOB NUMBER: -	DATE: 1/12/2017
JOB LOCATION: PERRYSVILLE, MD	DETAILER: TS
GENERAL CONTRACTOR:	
ITEM: EXTERIOR GRATING STAIR (3/A302)	DRAWING NO.: M4-3



= AREA OF WORK
 KEY PLAN



DETAIL KEY:
 M4-AB: TYPICAL BASE PLATE DETAILS
 M4-2: TYPICAL DETAILS
 M4-10: DETAILS 1-12
 M4-11: DETAILS 13-26



SECTION A CONT.
 SCALE 1/2"=1'-0"

GENERAL NOTES:

1. V.I.F. INDICATES DIMENSION TO BE VERIFIED IN FIELD
2. F.V. INDICATES FIELD VERIFIED DIMENSION
3. ALL CHANNELS, ANGLES, AND PLATES TO BE ASTM A36 U.O.N.
4. ALL WIDE FLANGE SECTIONS TO BE ASTM A992 U.O.N.
5. ALL HSS SECTIONS TO BE ASTM A500 GRADE B U.O.N.
6. ALL PIPE TO BE ASTM A500 GRADE B U.O.N.
7. ALL MECHANICAL TUBE TO BE ASTM A513 U.O.N.

REVISION	DESCRIPTION	DATE	BY
2	SHOP DRAWINGS FOR FAB. & ERECTION	1/11/2017	TS
1	SHOP DRAWINGS FOR COORDINATION	11/16/2016	TS
0	SHOP DRAWINGS FOR APPROVAL	10/20/2016	TS

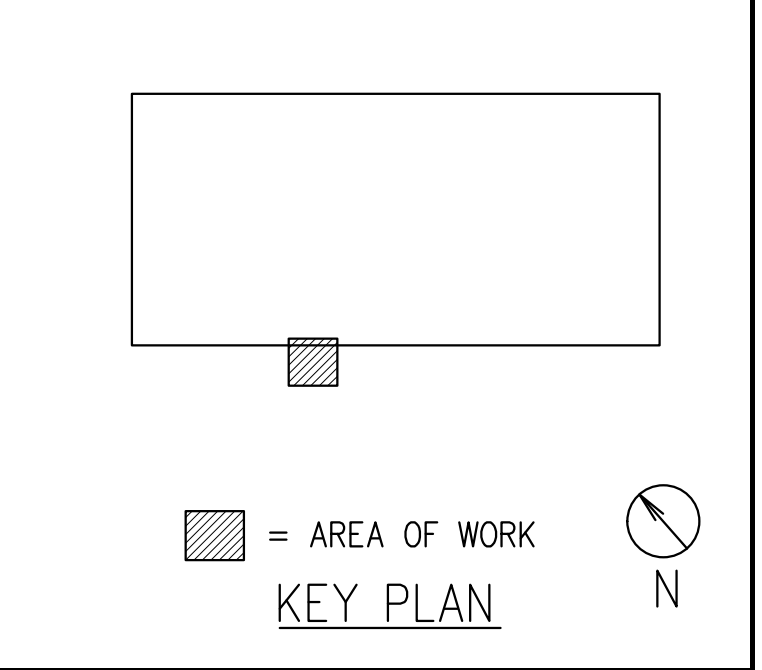
WELDS: E70XX U.O.N. HOLES: 1/16" Ø U.O.N.
 FINISH: HOT-DIPPED GALVANIZED U.O.N.



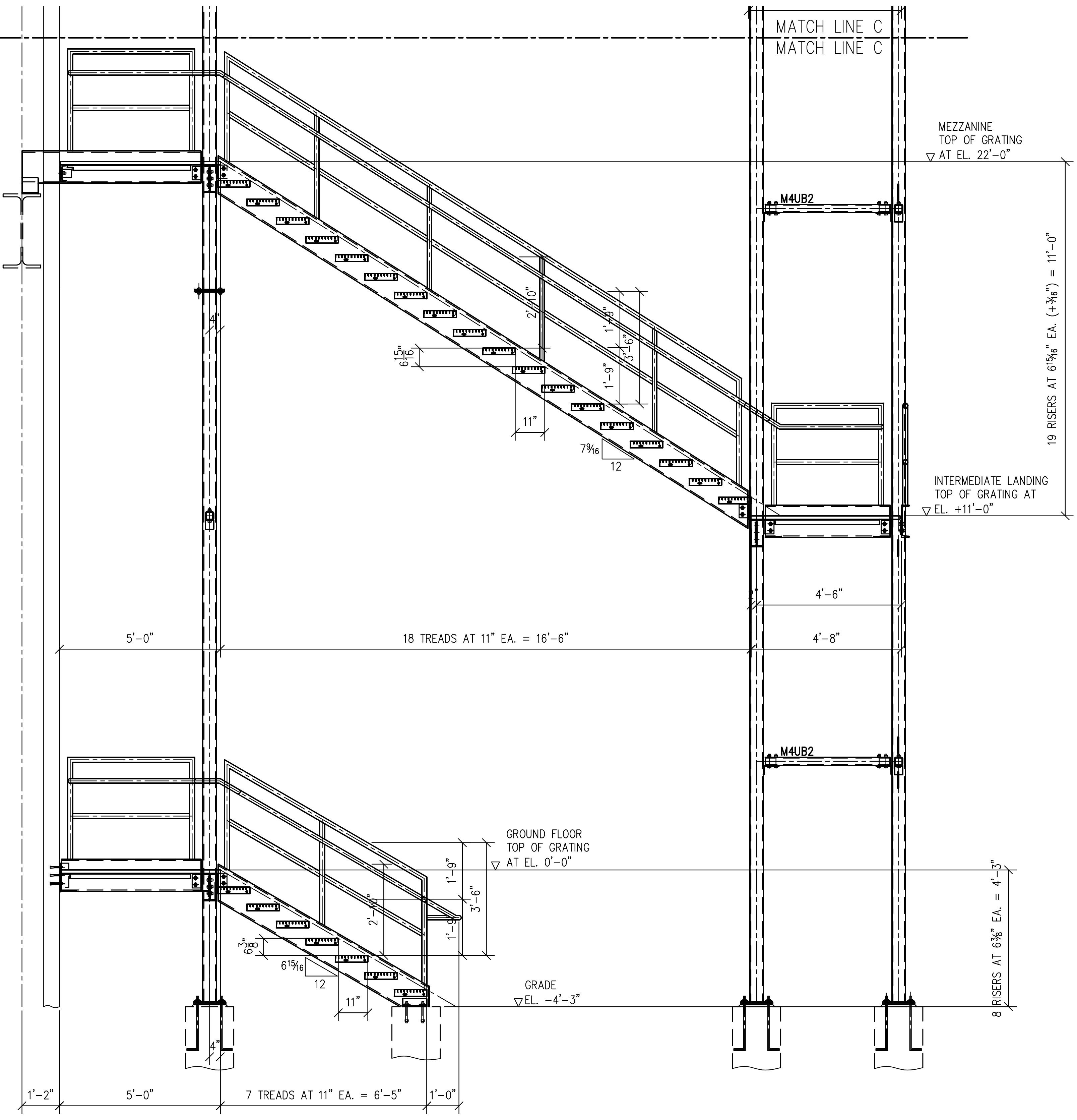
FOR FAB. & ERECTION:
 1/10/2017

REFERENCE DESIGN DRAWINGS:
 A-302, S-507

JOB NAME: LIDL DISTRIBUTION CENTER	ITEM NUMBER: -
JOB LOCATION: PERRYSVILLE, MD	DATE: 1/12/2017
GENERAL CONTRACTOR:	DETAILER: TS
ITEM: EXTERIOR GRATING STAIR (3/A302)	DRAWING NO.: M4-4



DETAIL KEY:
 M4-AB: TYPICAL BASE PLATE DETAILS
 M4-2: TYPICAL DETAILS
 M4-10: DETAILS 1-12
 M4-11: DETAILS 13-26



SECTION C
 SCALE 1/2"=1'-0"

GENERAL NOTES:

1. V.I.F. INDICATES DIMENSION TO BE VERIFIED IN FIELD
2. F.V. INDICATES FIELD VERIFIED DIMENSION
3. ALL CHANNELS, ANGLES, AND PLATES TO BE ASTM A36 U.O.N.
4. ALL WIDE FLANGE SECTIONS TO BE ASTM A992 U.O.N.
5. ALL HSS SECTIONS TO BE ASTM A500 GRADE B U.O.N.
6. ALL PIPE TO BE ASTM A500 GRADE B U.O.N.
7. ALL MECHANICAL TUBE TO BE ASTM A513 U.O.N.

REVISION	DESCRIPTION	DATE	BY
2	SHOP DRAWINGS FOR FAB. & ERECTION	1/11/2017	TS
1	SHOP DRAWINGS FOR COORDINATION	11/16/2016	TS
0	SHOP DRAWINGS FOR APPROVAL	10/20/2016	TS

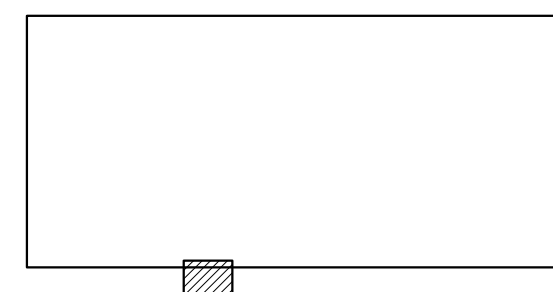
WELDS: E70XX U.O.N. HOLES: 1/16" Ø U.O.N.
 FINISH: HOT-DIPPED GALVANIZED U.O.N.



FOR FAB. & ERECTION:
 1/10/2017

REFERENCE DESIGN DRAWINGS:
 A-302, S-507

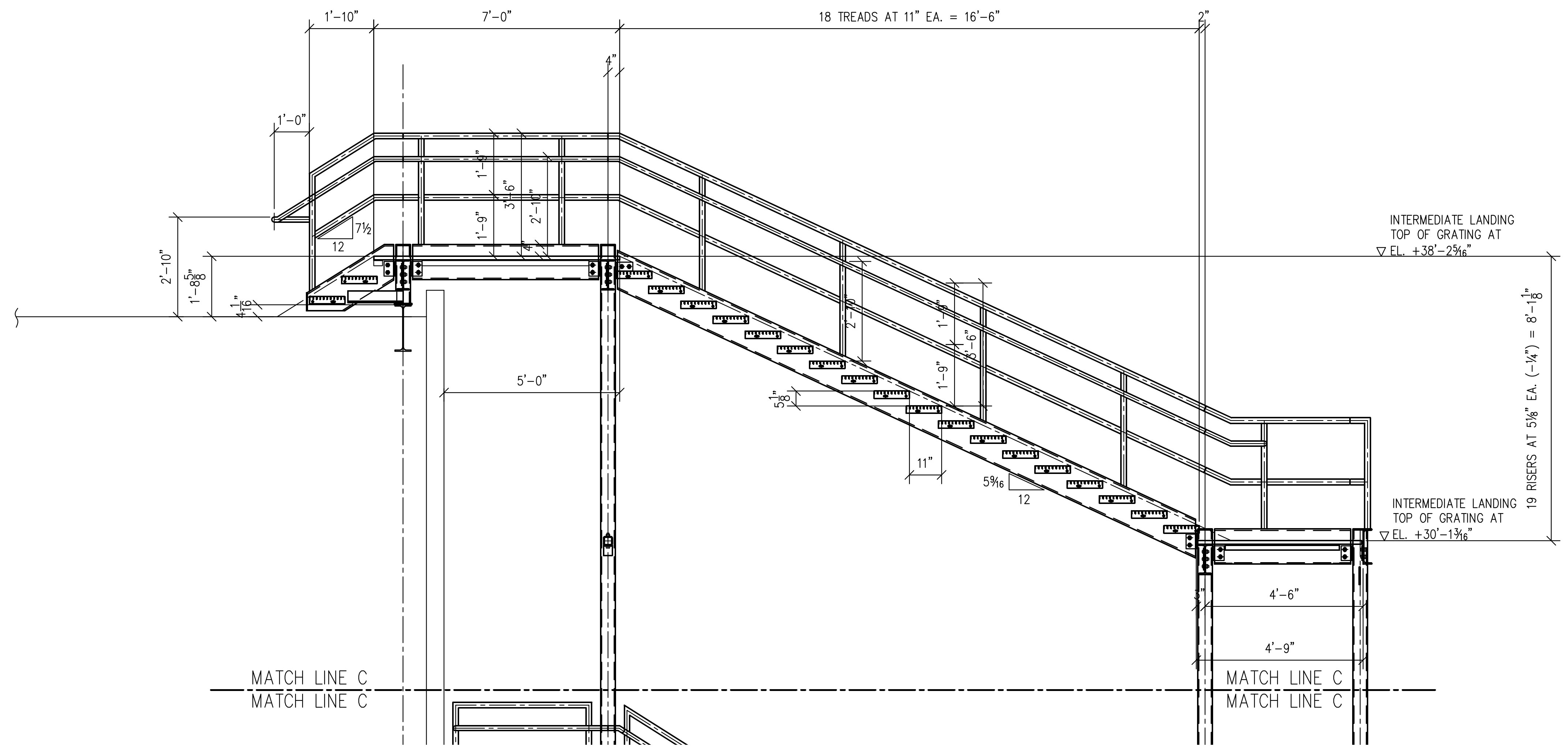
JOB NAME: LIDL DISTRIBUTION CENTER	ITEM NUMBER: -
JOB LOCATION: PERRYSVILLE, MD	DATE: 1/12/2017
GENERAL CONTRACTOR:	DETAILER: TS
ITEM: EXTERIOR GRATING STAIR (3/A302)	DRAWING NO.: M4-7



= AREA OF WORK
 KEY PLAN



DETAIL KEY:
 M4-AB: TYPICAL BASE PLATE DETAILS
 M4-2: TYPICAL DETAILS
 M4-10: DETAILS 1-12
 M4-11: DETAILS 13-26



SECTION C CONT.
 SCALE 1/2"=1'-0"

GENERAL NOTES:

1. V.I.F. INDICATES DIMENSION TO BE VERIFIED IN FIELD
2. F.V. INDICATES FIELD VERIFIED DIMENSION
3. ALL CHANNELS, ANGLES, AND PLATES TO BE ASTM A36 U.O.N.
4. ALL WIDE FLANGE SECTIONS TO BE ASTM A992 U.O.N.
5. ALL HSS SECTIONS TO BE ASTM A500 GRADE B U.O.N.
6. ALL PIPE TO BE ASTM A500 GRADE B U.O.N.
7. ALL MECHANICAL TUBE TO BE ASTM A513 U.O.N.

REVISION	DESCRIPTION	DATE	BY
2	SHOP DRAWINGS FOR FAB. & ERECTION	1/11/2017	TS
1	SHOP DRAWINGS FOR COORDINATION	11/16/2016	TS
0	SHOP DRAWINGS FOR APPROVAL	10/20/2016	TS

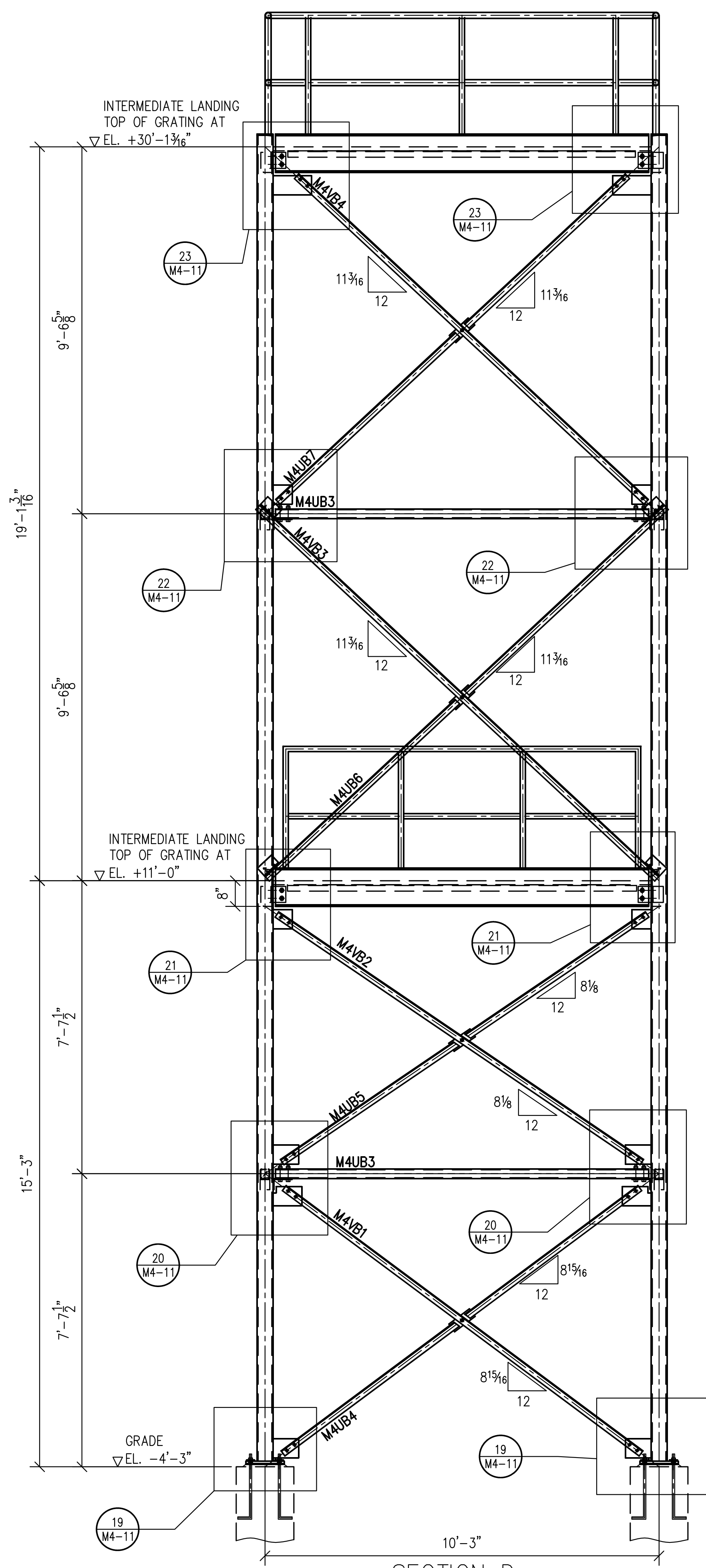
WELDS: E70XX U.O.N. HOLES: 1 3/16" Ø U.O.N.
 FINISH: HOT-DIPPED GALVANIZED U.O.N.



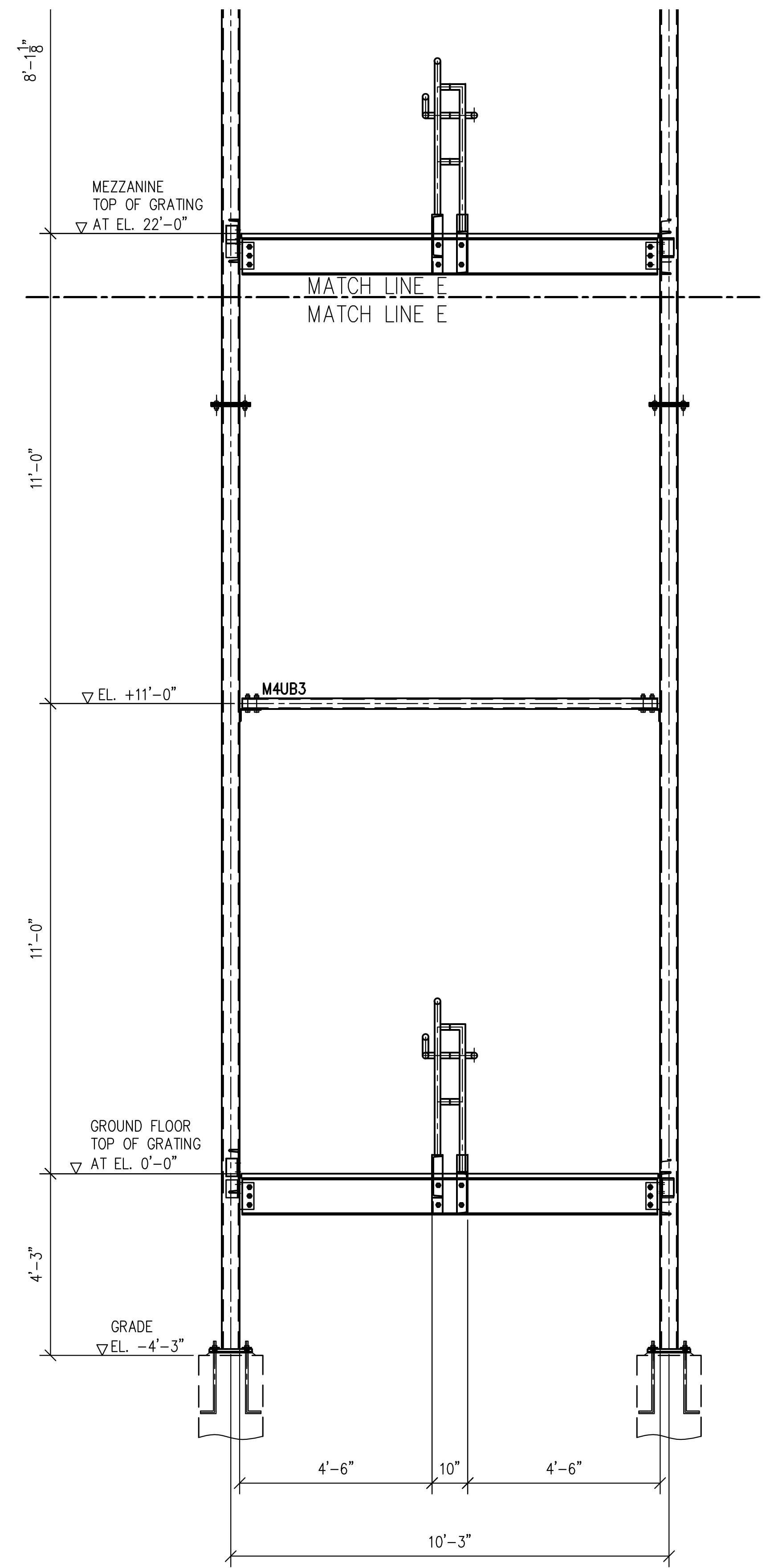
FOR FAB. & ERECTION:
 1/10/2017

REFERENCE DESIGN DRAWINGS:
 A-302, S-507

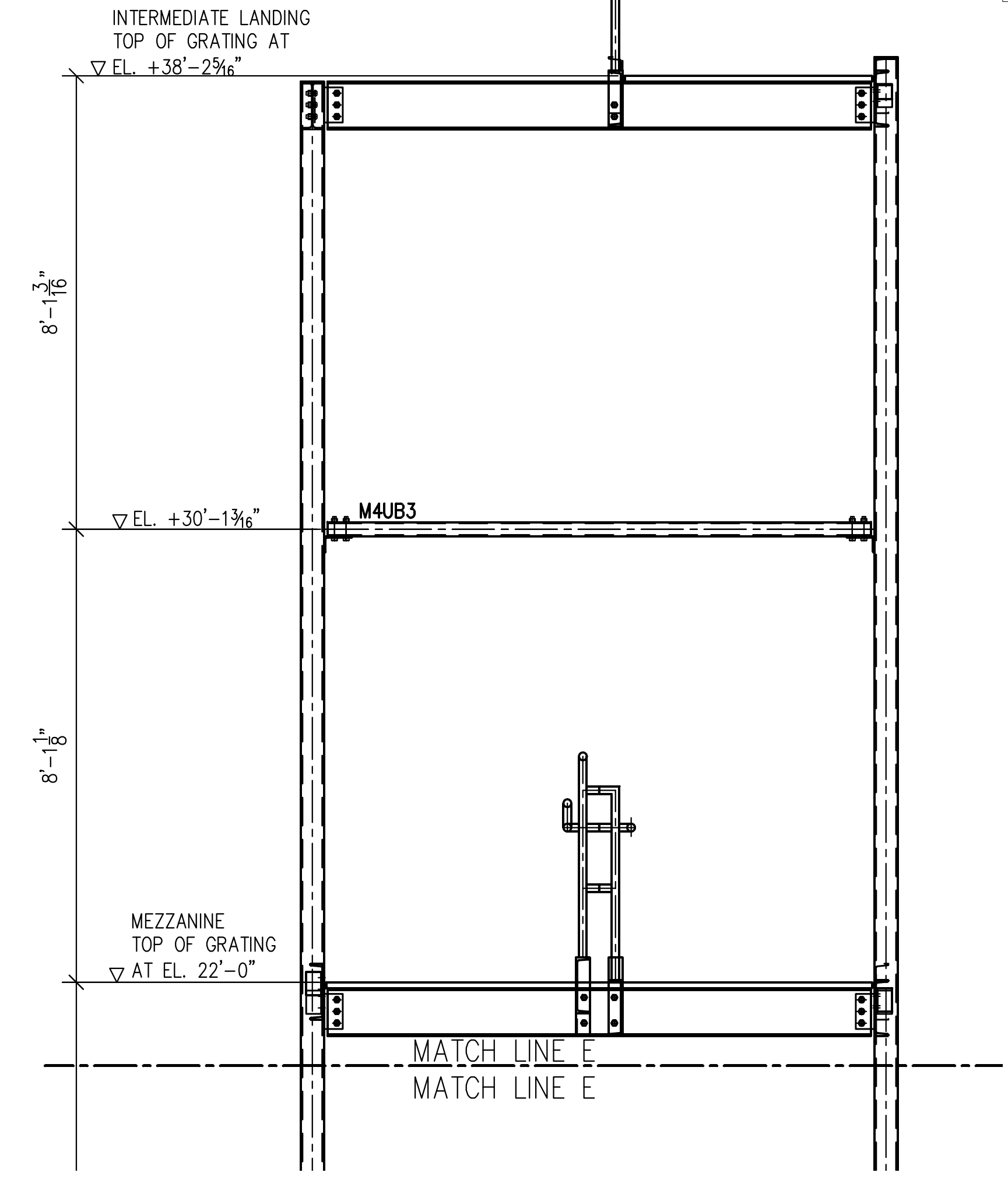
JOB NAME: LIDL DISTRIBUTION CENTER	ITEM NUMBER: -
JOB LOCATION: PERRYSVILLE, MD	DATE: 1/12/2017
GENERAL CONTRACTOR:	DETAILER: TS
ITEM: EXTERIOR GRATING STAIR (3/A302)	DRAWING NO.: M4-8



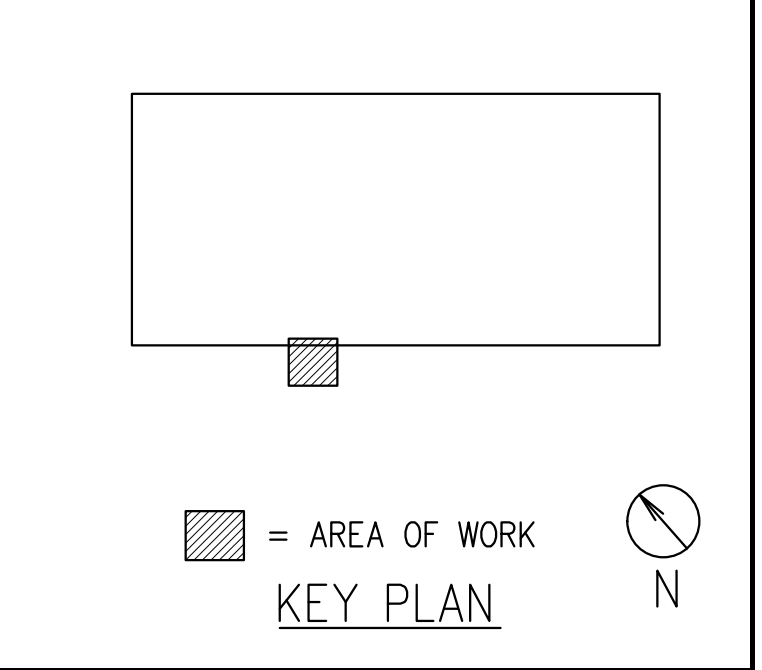
SECTION D
SCALE 1/2"=1'-0"



SECTION E
SCALE 1/2"=1'-0"



SECTION E CONT.
SCALE 1/2"=1'-0"



DETAIL KEY:
M4-AB: TYPICAL BASE PLATE DETAILS
M4-2: TYPICAL DETAILS
M4-10: DETAILS 1-12
M4-11: DETAILS 13-26

GENERAL NOTES:

1. V.I.F. INDICATES DIMENSION TO BE VERIFIED IN FIELD
2. F.V. INDICATES FIELD VERIFIED DIMENSION
3. ALL CHANNELS, ANGLES, AND PLATES TO BE ASTM A36 U.O.N.
4. ALL WIDE FLANGE SECTIONS TO BE ASTM A992 U.O.N.
5. ALL HSS SECTIONS TO BE ASTM A500 GRADE B U.O.N.
6. ALL PIPE TO BE ASTM A500 GRADE B U.O.N.
7. ALL MECHANICAL TUBE TO BE ASTM A513 U.O.N.

REVISION	DESCRIPTION	DATE	BY
2	SHOP DRAWINGS FOR FAB. & ERECTION	1/11/2017	TS
1	SHOP DRAWINGS FOR COORDINATION	11/16/2016	TS
0	SHOP DRAWINGS FOR APPROVAL	10/20/2016	TS

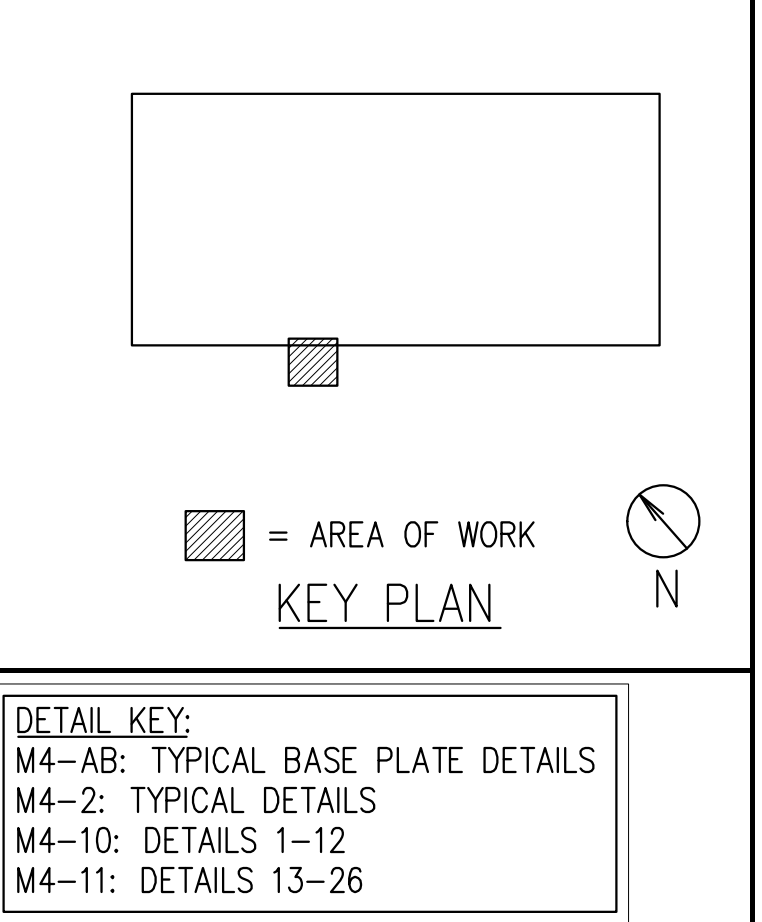
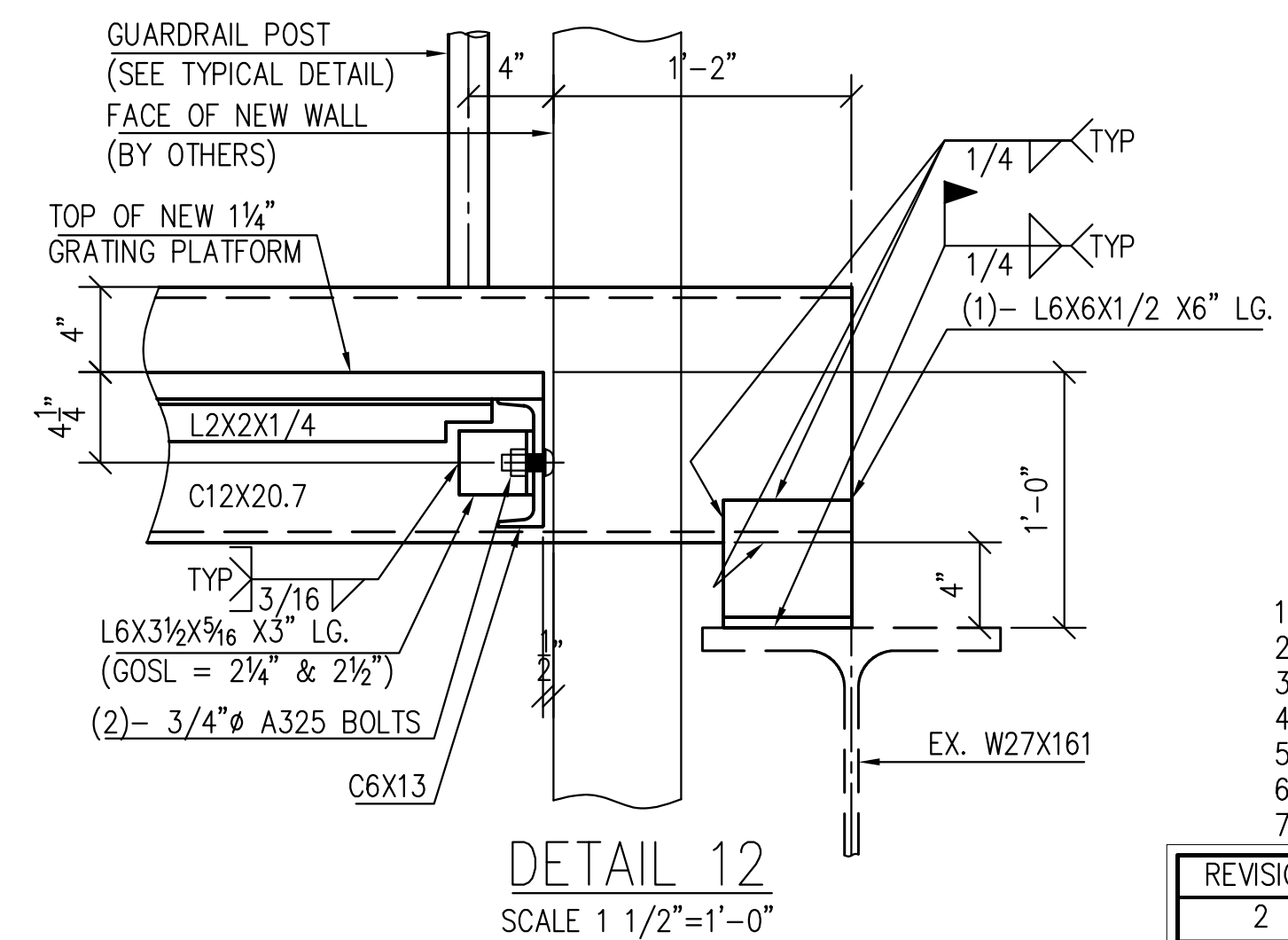
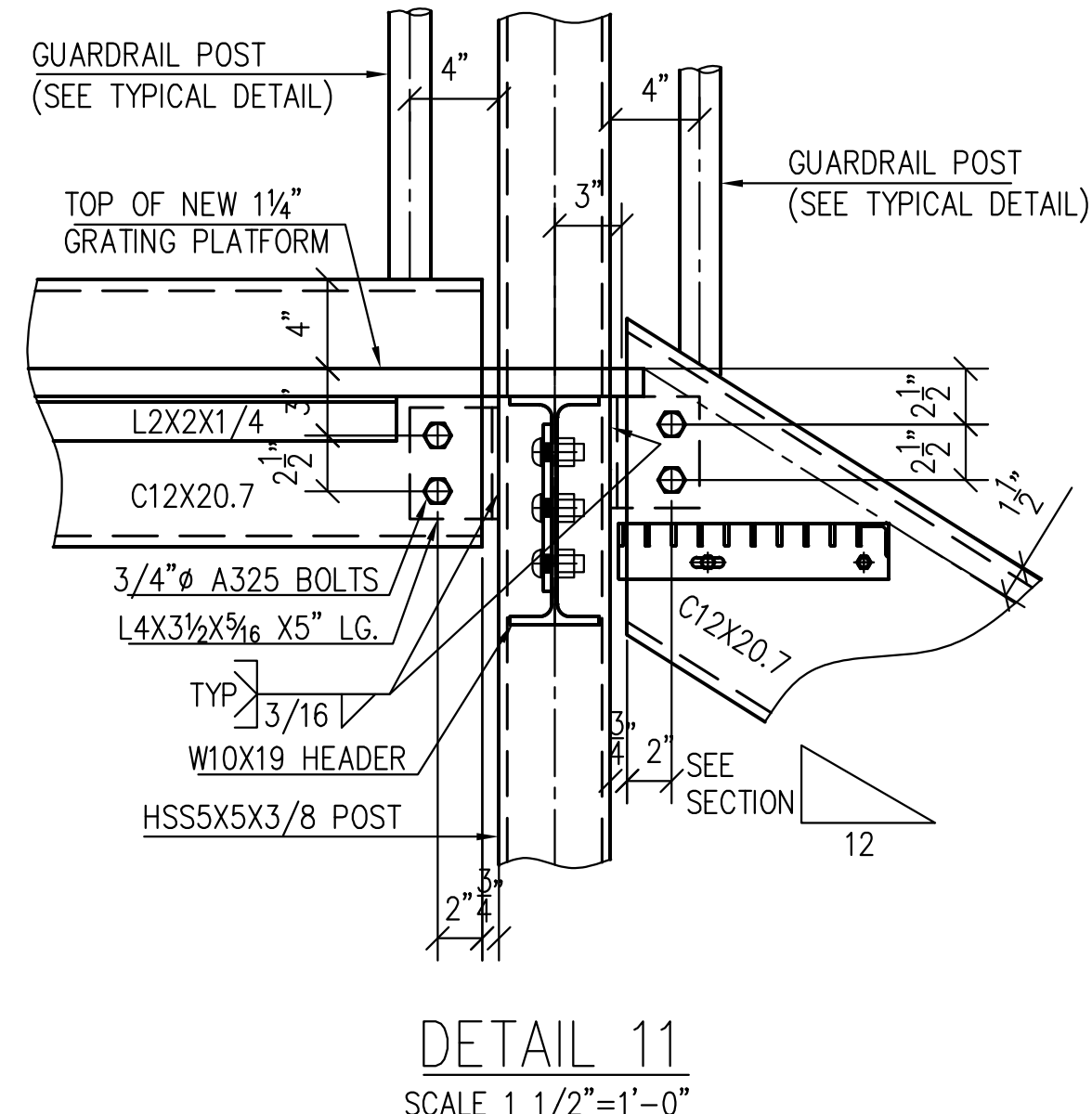
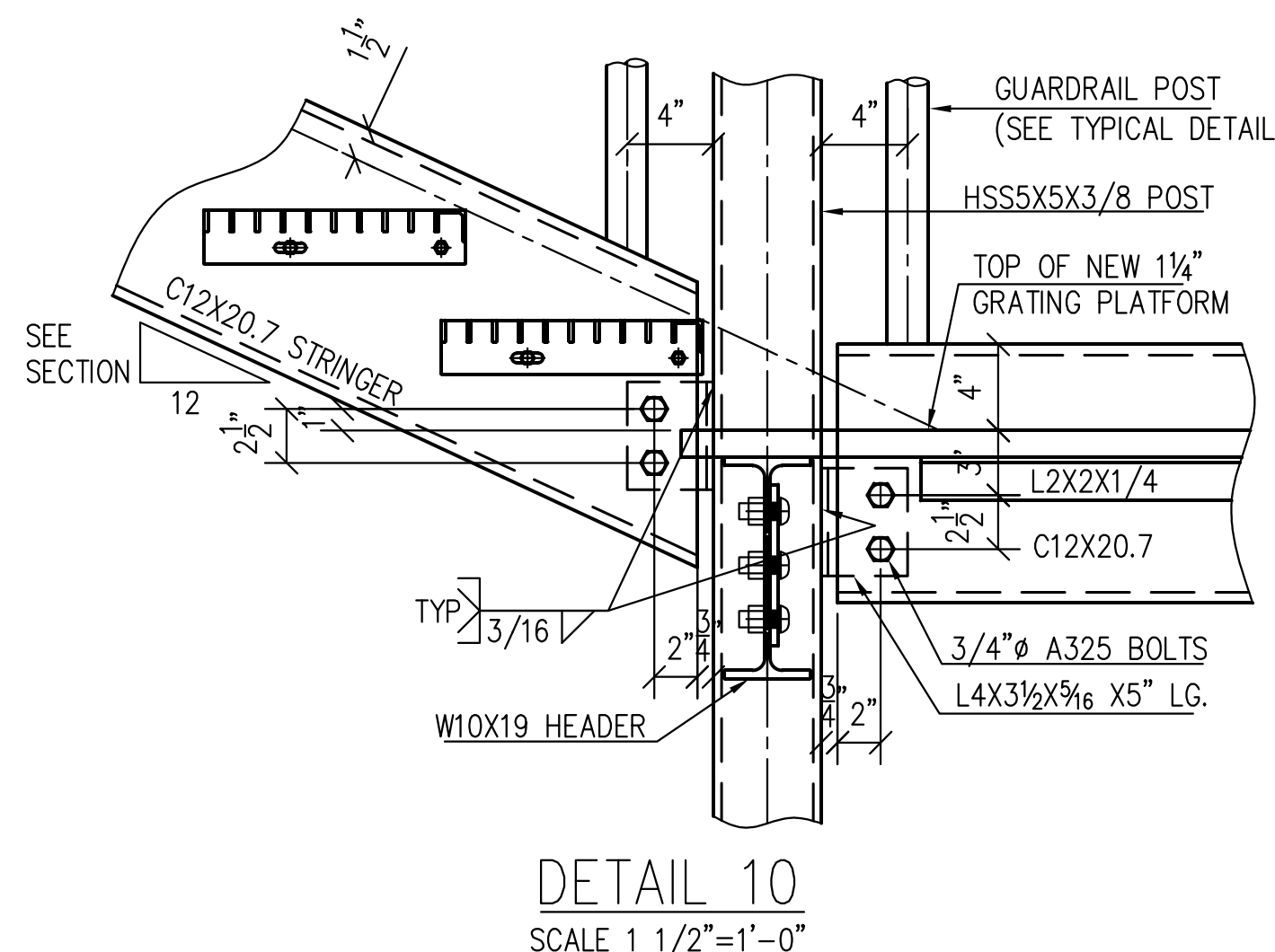
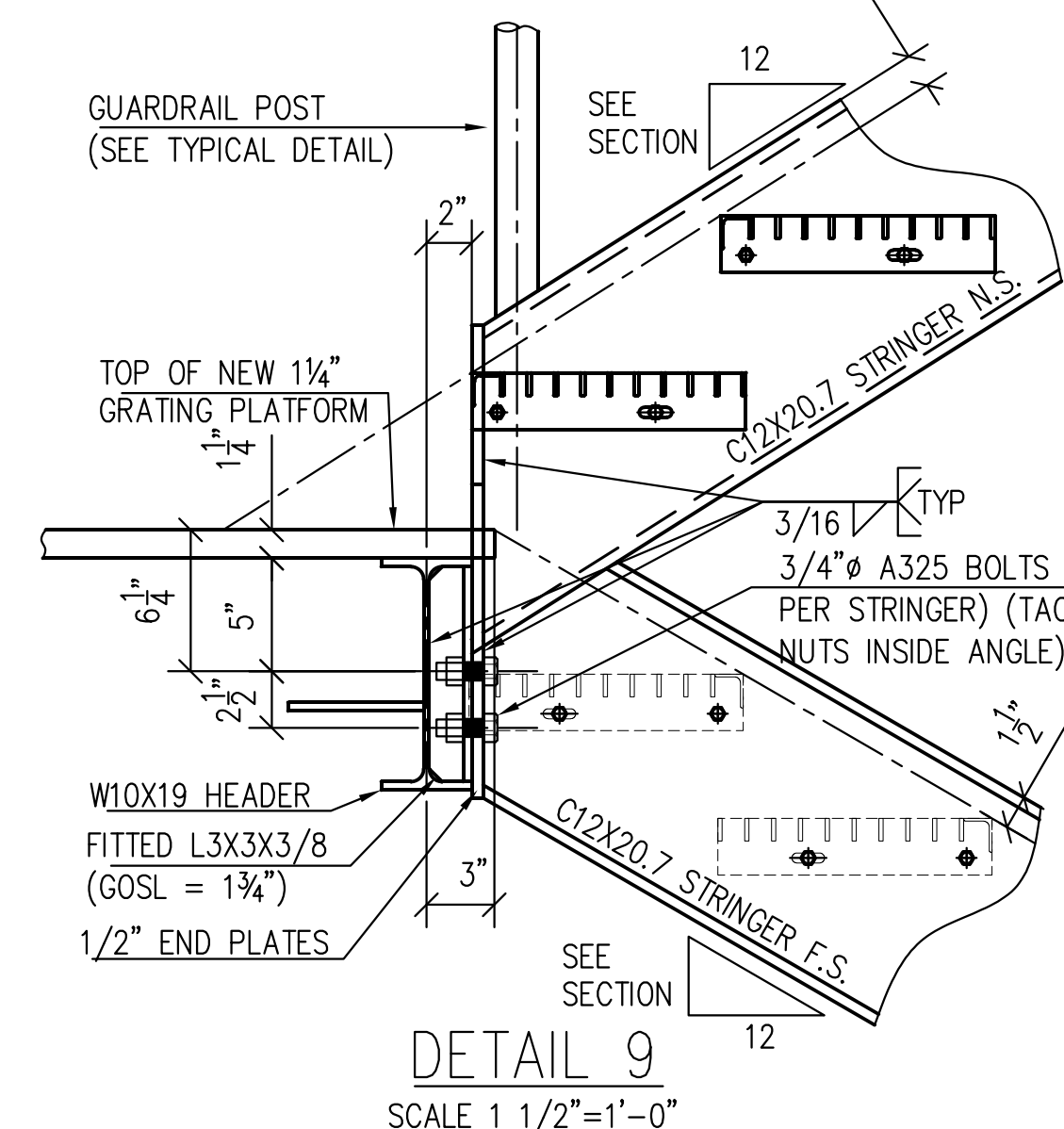
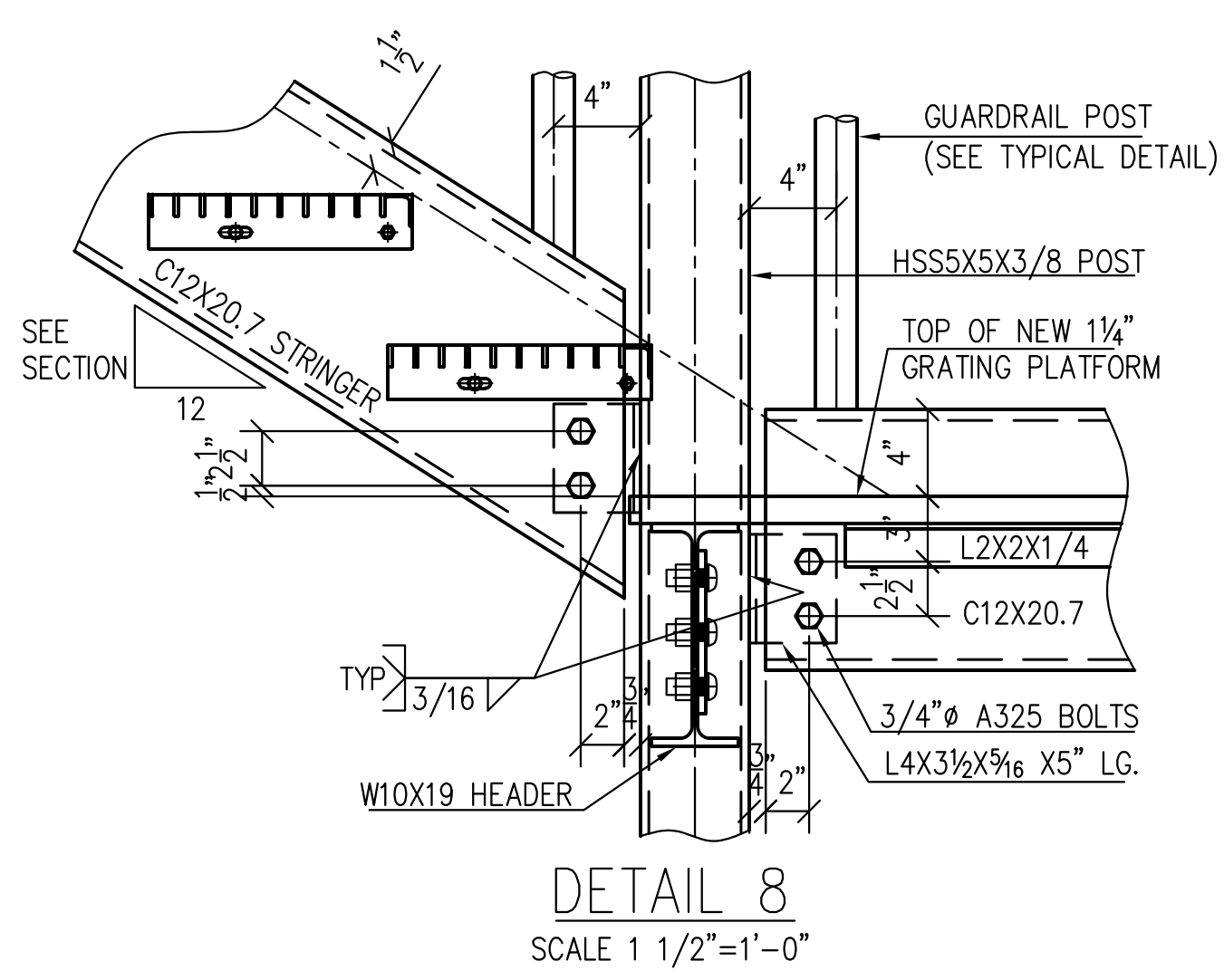
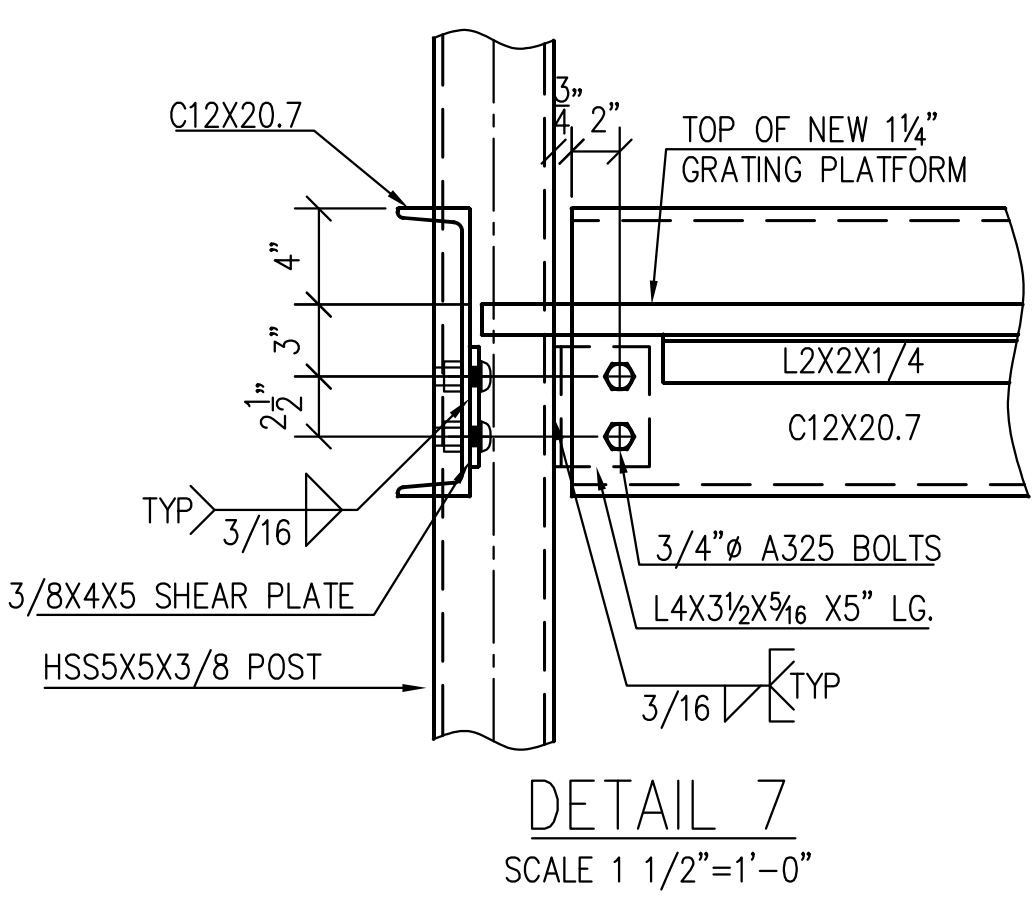
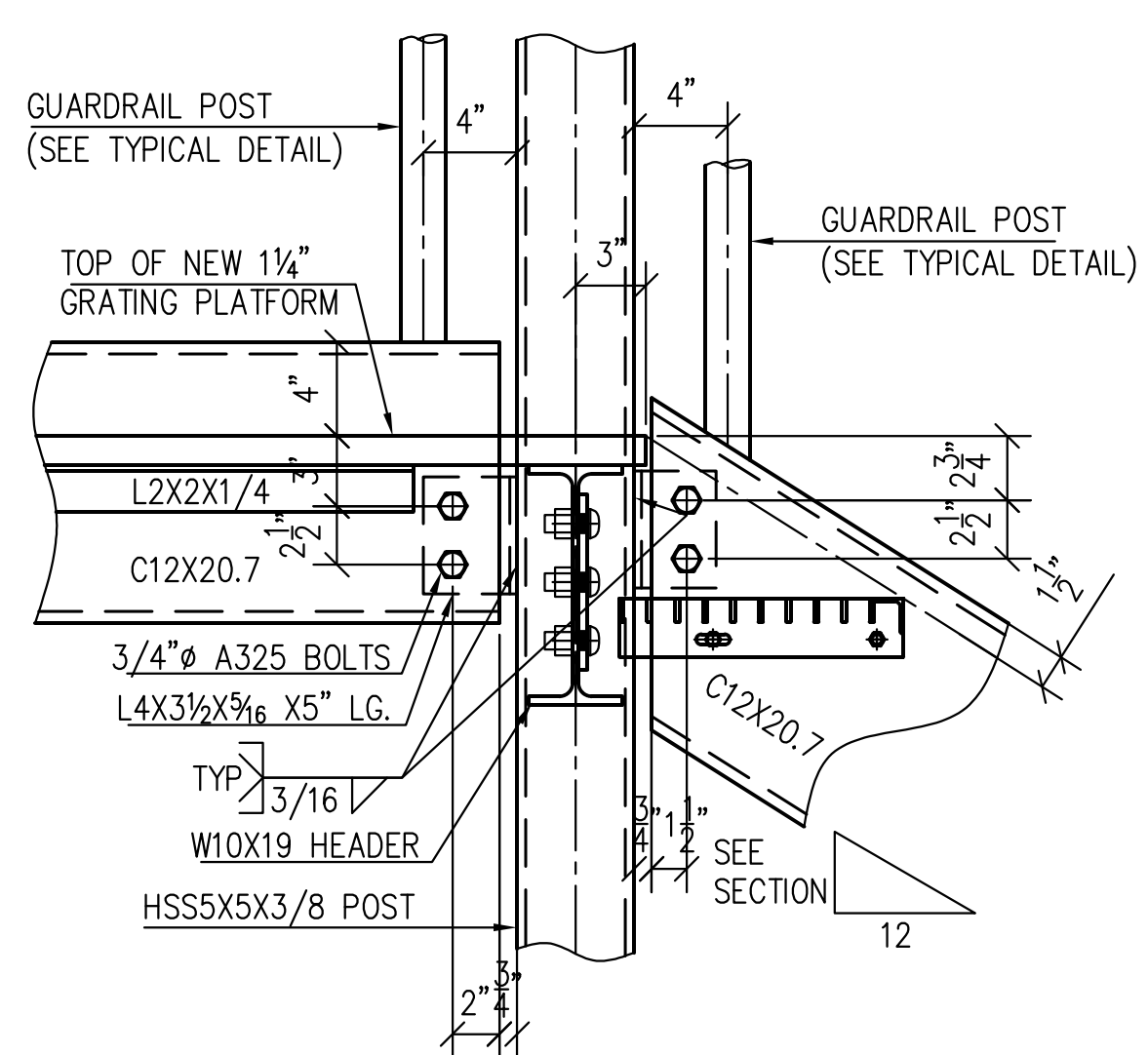
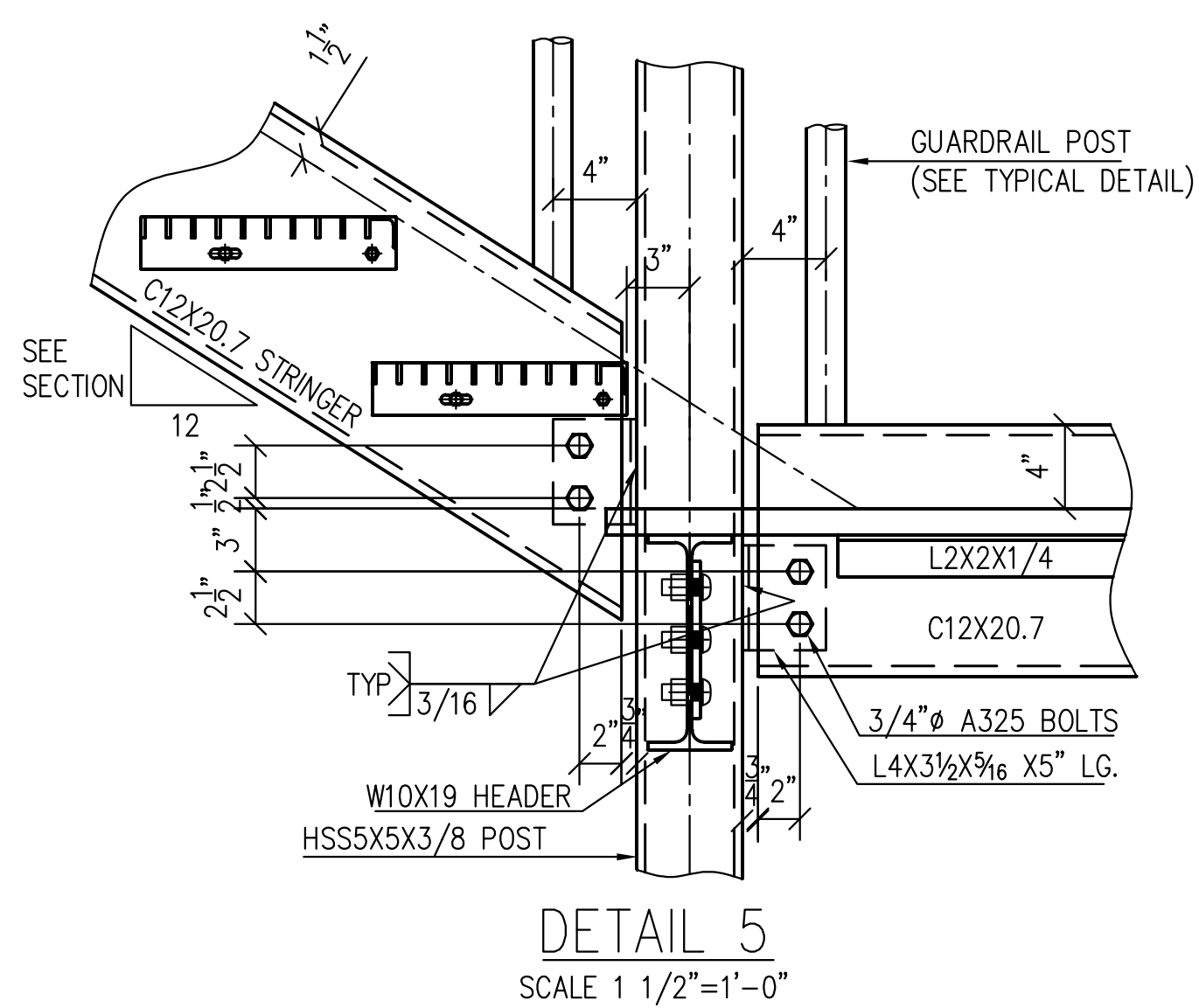
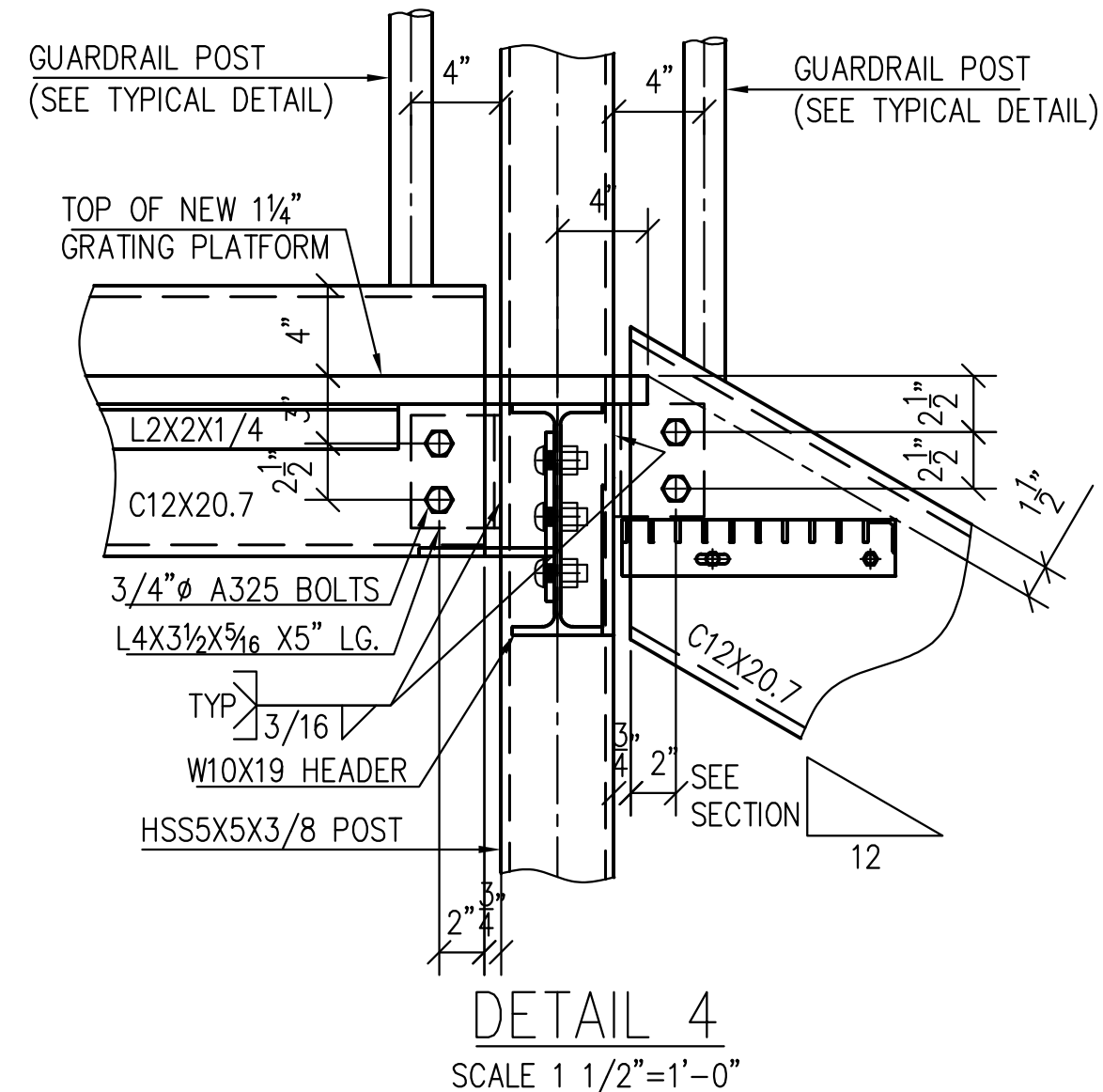
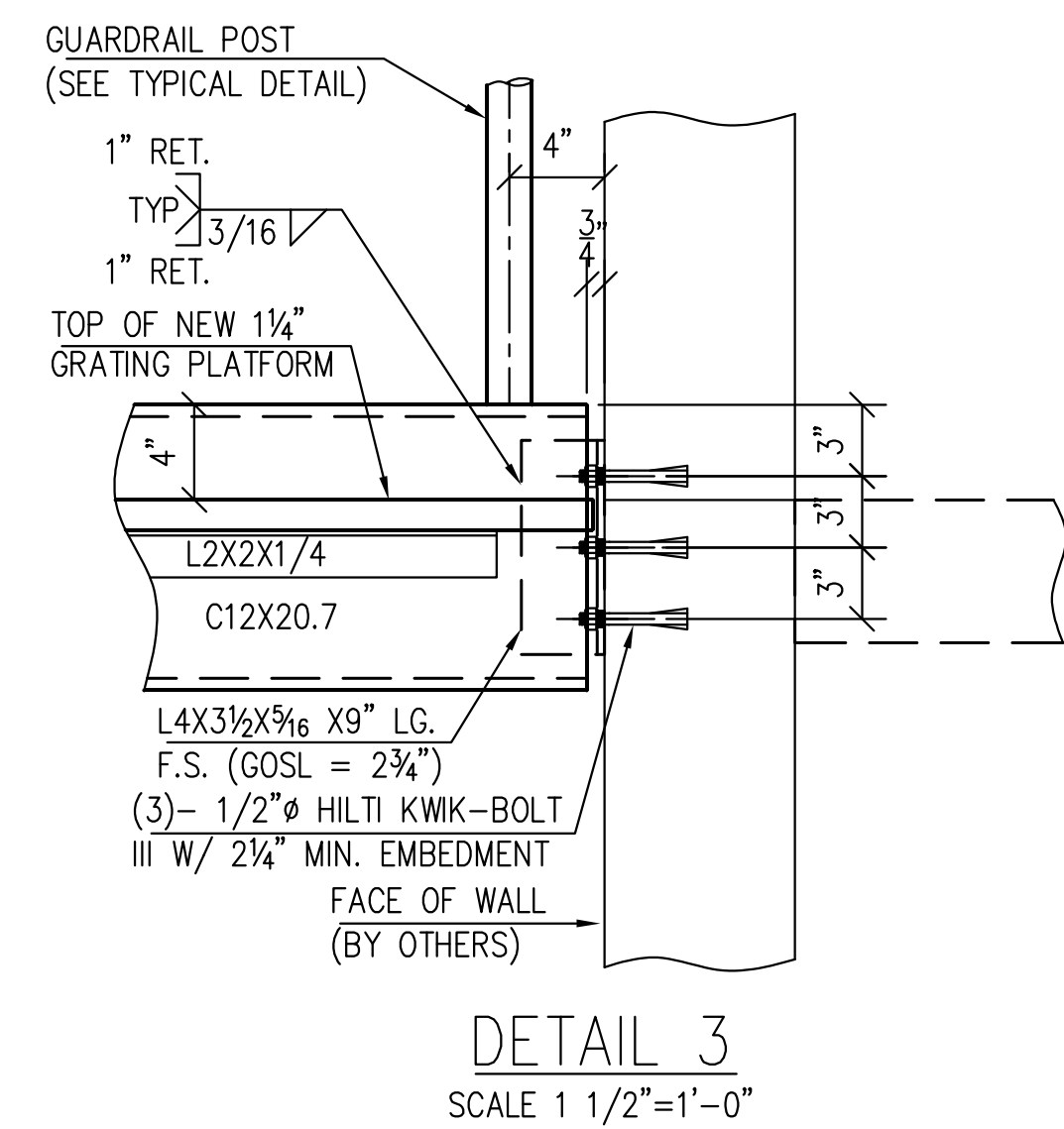
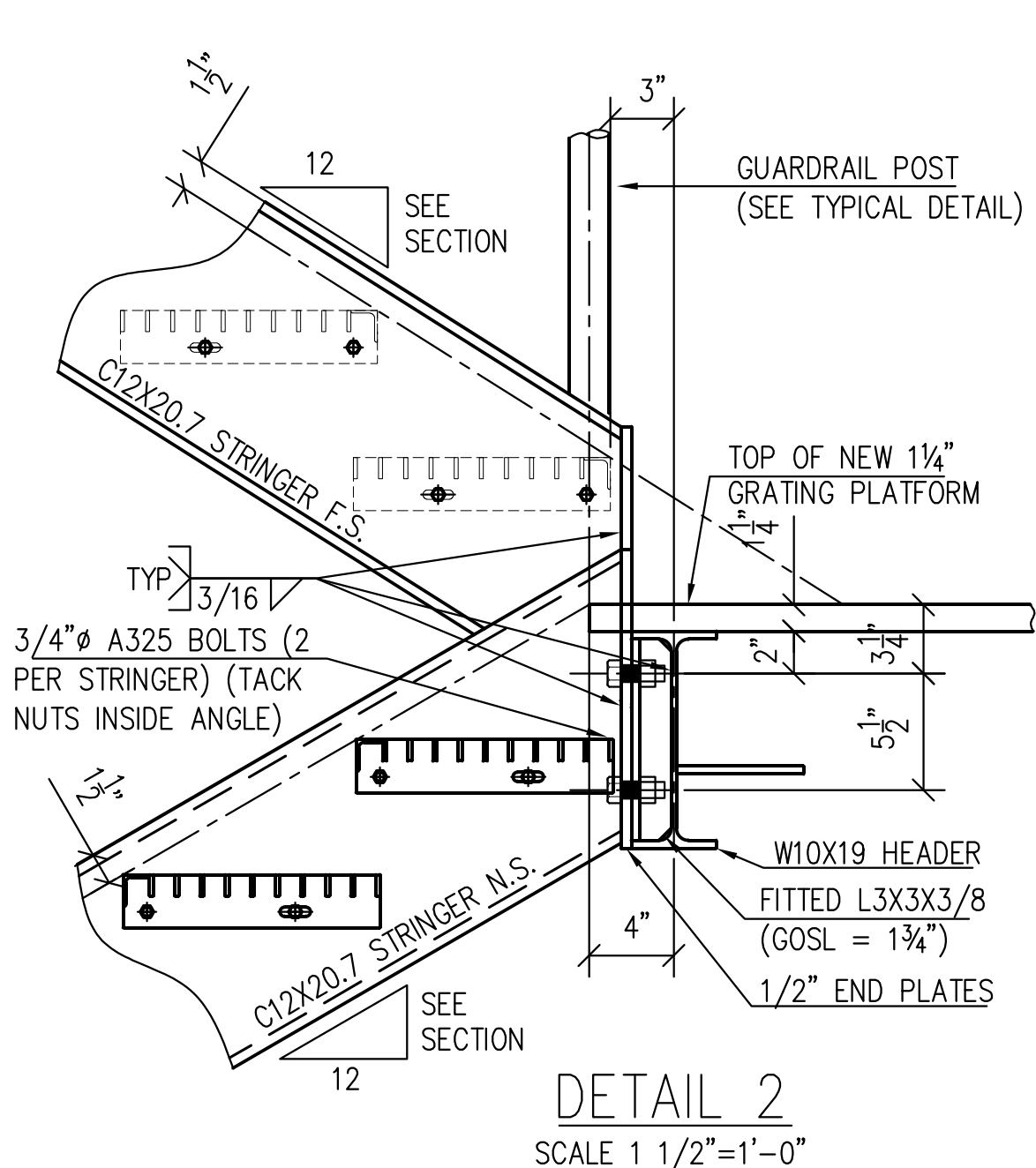
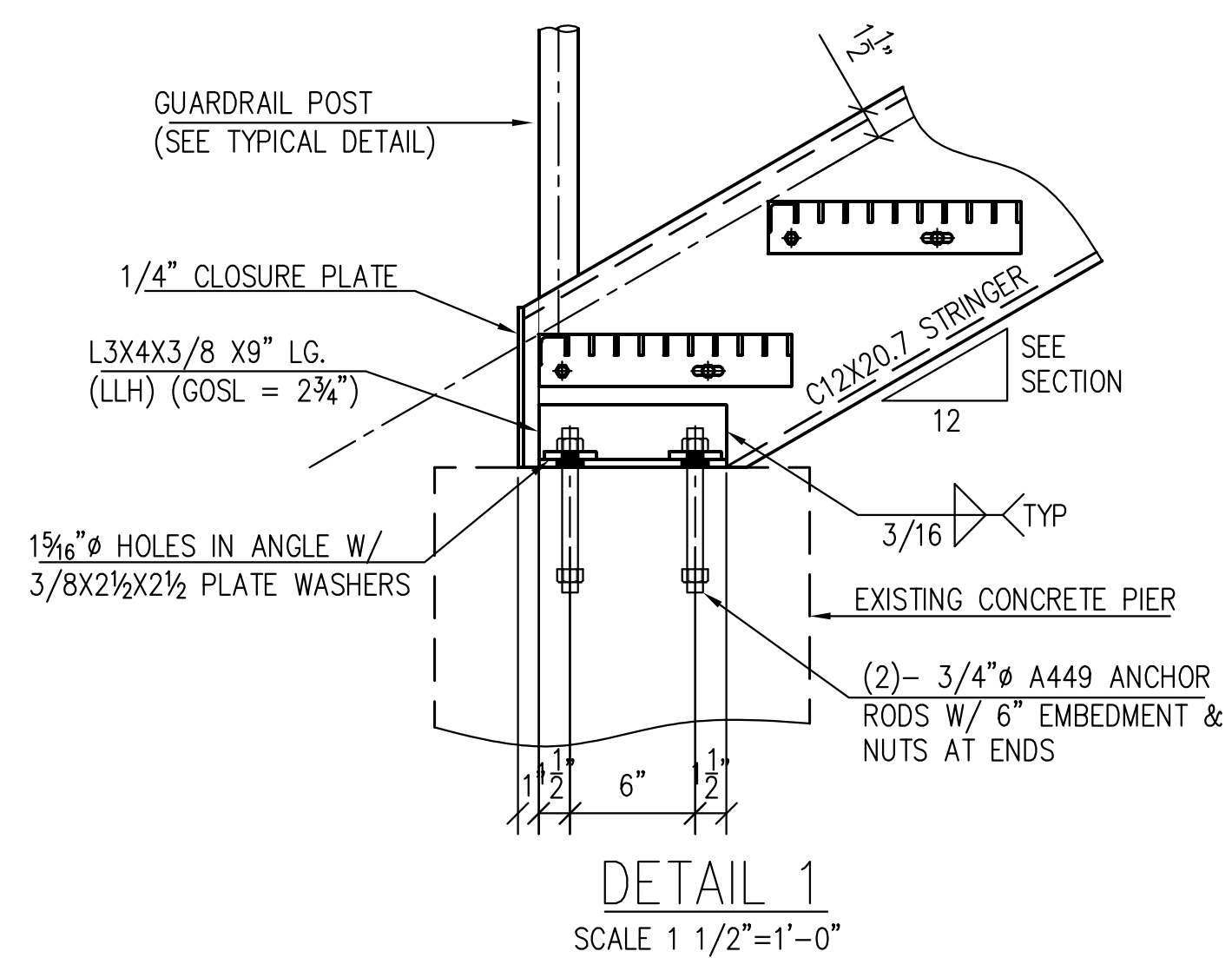
WELDS: E70XX U.O.N. HOLES: 1/16" Ø U.O.N.
FINISH: HOT-DIPPED GALVANIZED U.O.N.



FOR FAB. & ERECTION:
1/10/2017

REFERENCE DESIGN DRAWINGS:
A-302, S-507

JOB NAME: LIDL DISTRIBUTION CENTER	ITEM NUMBER: -
JOB NUMBER: -	
JOB LOCATION: PERRYVILLE, MD	DATE: 1/12/2017
GENERAL CONTRACTOR:	DETAILER: TS
ITEM: EXTERIOR GRATING STAIR (3/A302)	DRAWING NO.: M4-9



DETAIL KEY:
M4-AB: TYPICAL BASE PLATE DETAILS
M4-2: TYPICAL DETAILS
M4-10: DETAILS 1-12
M4-11: DETAILS 13-26

- GENERAL NOTES:**
1. V.I.F. INDICATES DIMENSION TO BE VERIFIED IN FIELD
 2. F.V. INDICATES FIELD VERIFIED DIMENSION
 3. ALL CHANNELS, ANGLES, AND PLATES TO BE ASTM A36 U.O.N.
 4. ALL WIDE FLANGE SECTIONS TO BE ASTM A992 U.O.N.
 5. ALL HSS SECTIONS TO BE ASTM A500 GRADE B U.O.N.
 6. ALL PIPE TO BE ASTM A500 GRADE B U.O.N.
 7. ALL MECHANICAL TUBE TO BE ASTM A513 U.O.N.

REVISION	DESCRIPTION	DATE	BY
2	SHOP DRAWINGS FOR FAB. & ERECTION	11/11/2017	TS
1	SHOP DRAWINGS FOR COORDINATION	11/16/2016	TS
0	SHOP DRAWINGS FOR APPROVAL	10/20/2016	TS

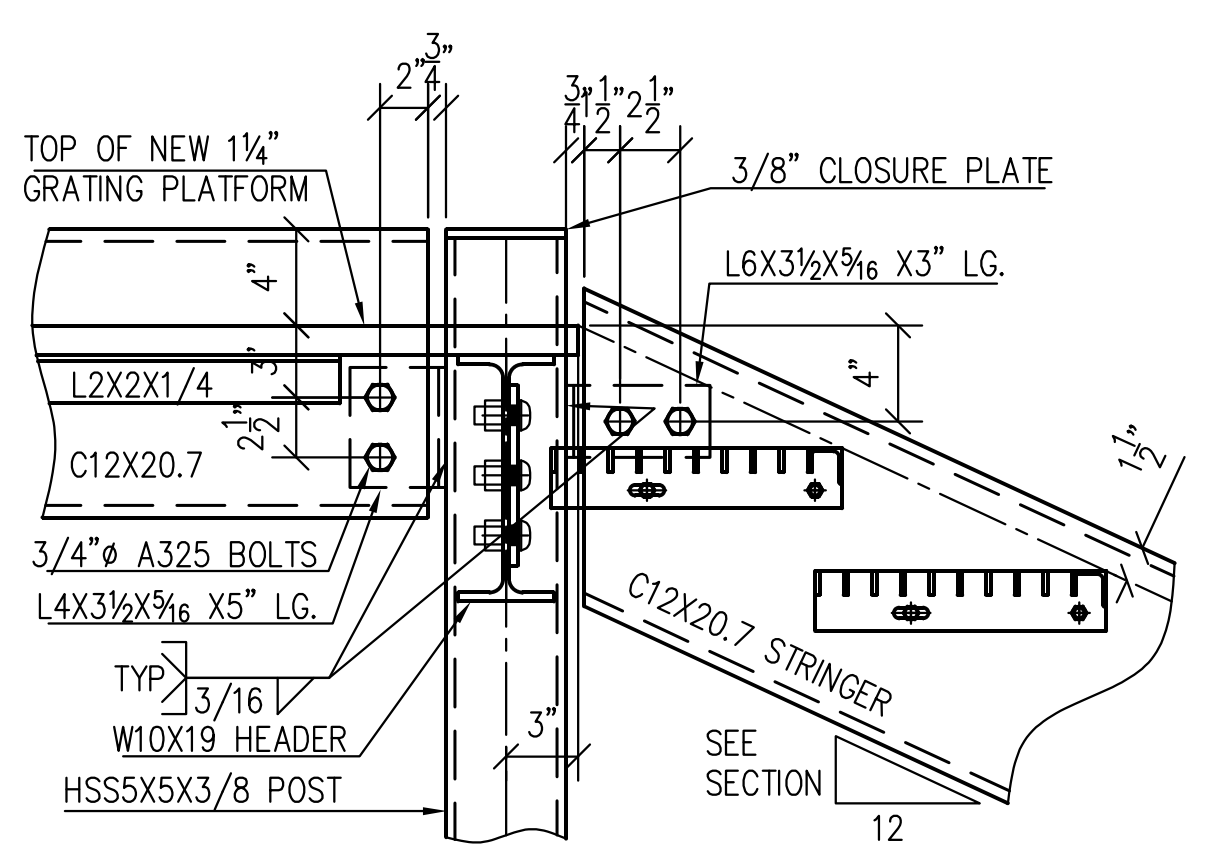
WELDS: E70XX U.O.N. HOLES: 1/16" U.O.N.
FINISH: HOT-DIPPED GALVANIZED U.O.N.

ON CENTER
STEEL DETAILING LLC
OCSTEELDETAILING@GMAIL.COM

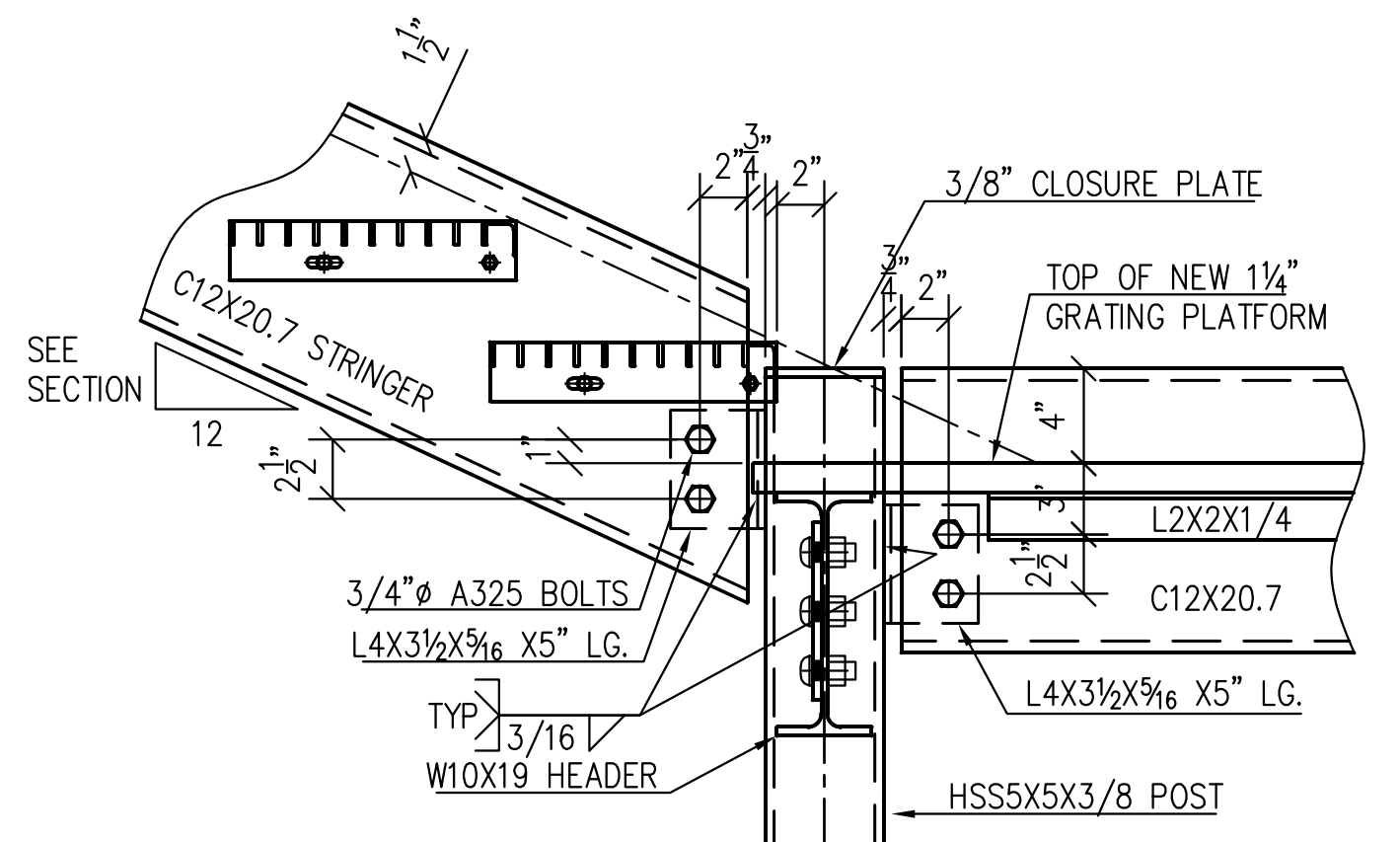
FOR FAB. & ERECTION:
1/10/2017

REFERENCE DESIGN DRAWINGS:
A-302, S-507

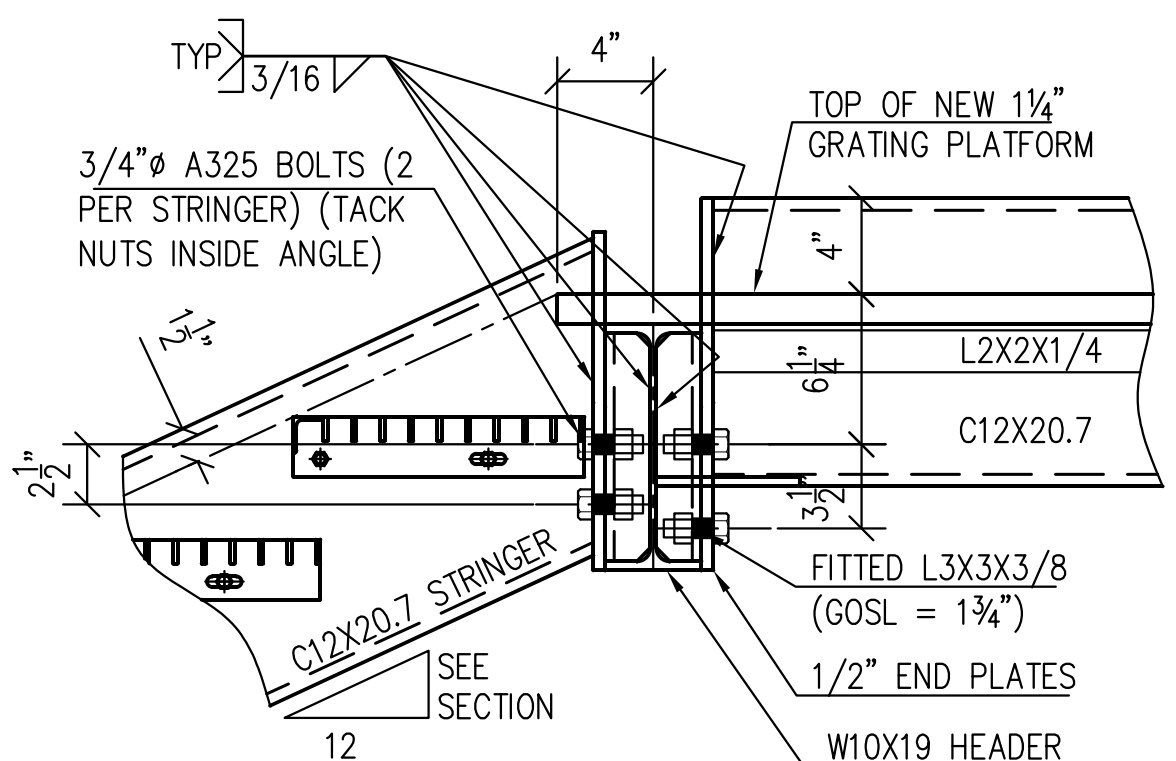
JOB NAME: LIDL DISTRIBUTION CENTER	ITEM NUMBER: -
JOB NUMBER: -	
JOB LOCATION: PERRYSVILLE, MD	DATE: 1/12/2017
GENERAL CONTRACTOR:	DETAILER: TS
ITEM: EXTERIOR GRATING STAIR (3/A302)	DRAWING NO.: M4-10



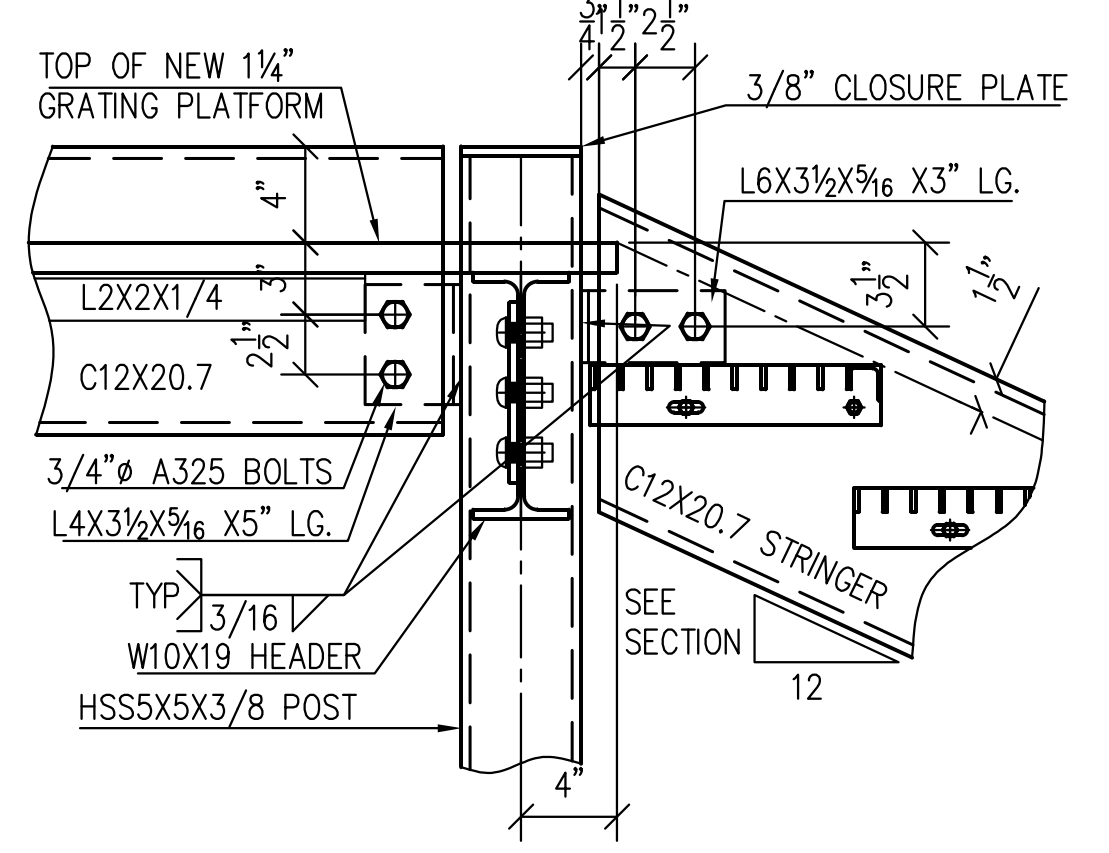
DETAIL 13
SCALE 1 1/2"=1'-0"



DETAIL 14
SCALE 1 1/2"=1'-0"



DETAIL 15
SCALE 1 1/2"=1'-0"

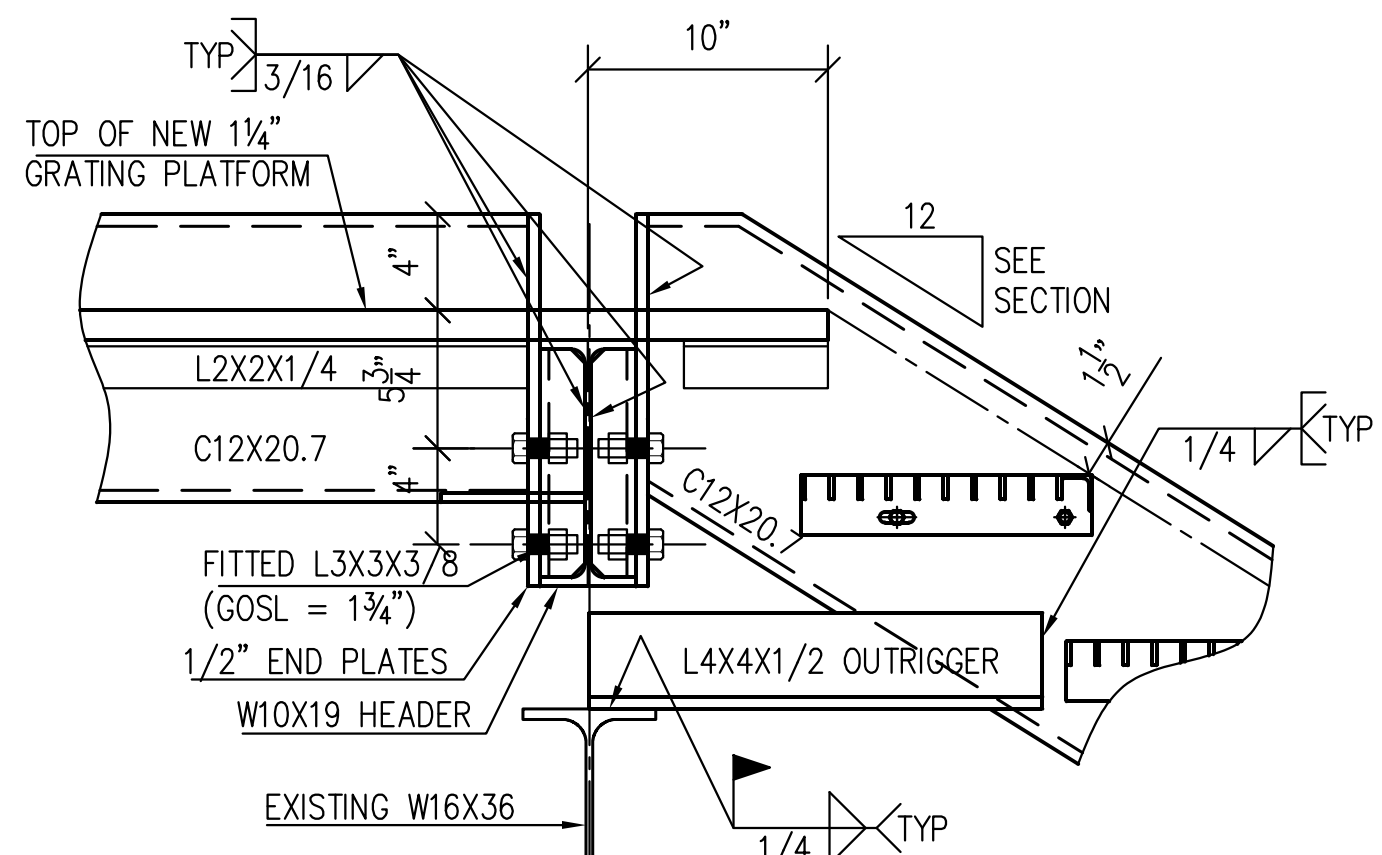


DETAIL 16
SCALE 1 1/2"=1'-0"

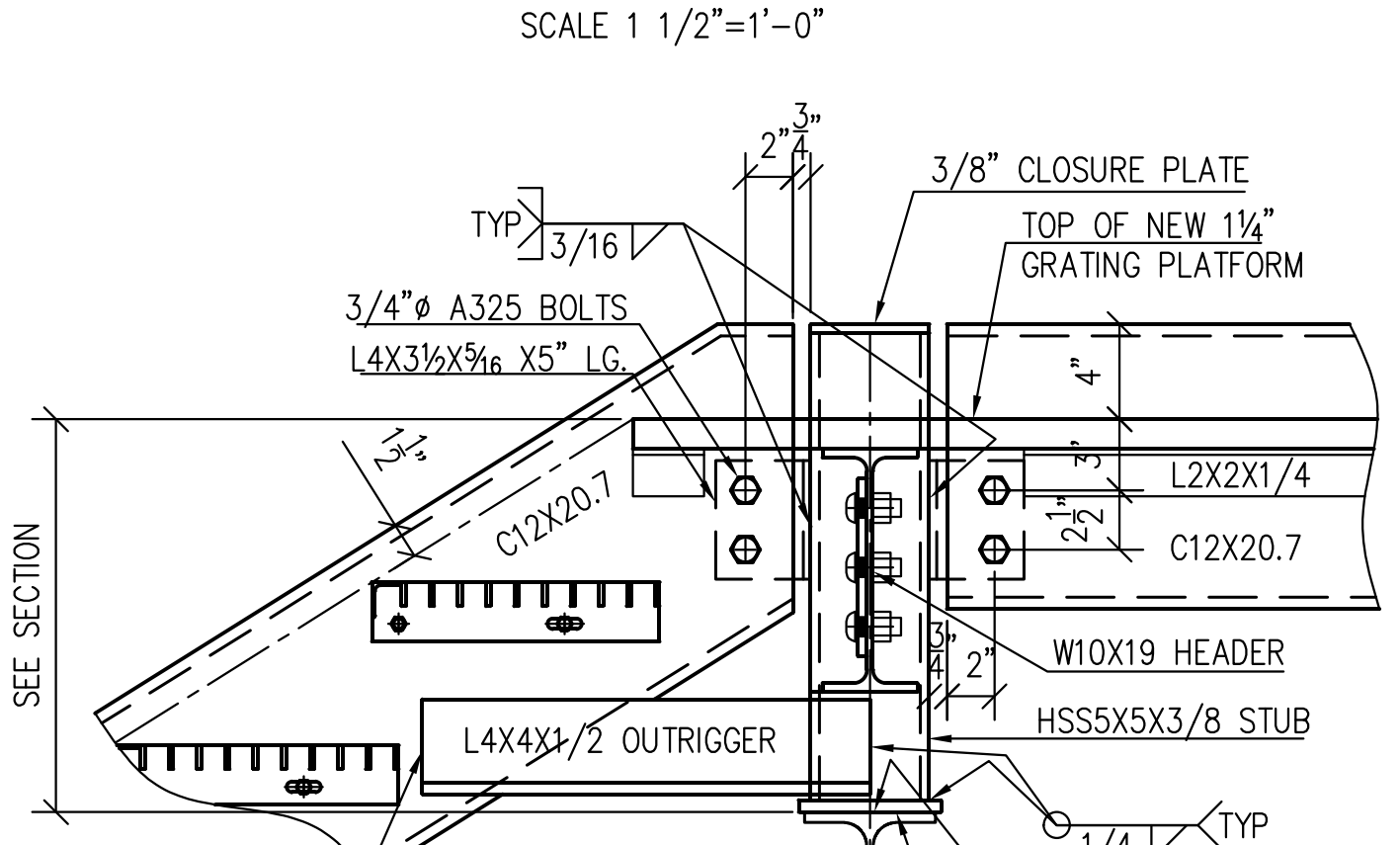
KEY PLAN

AREA OF WORK

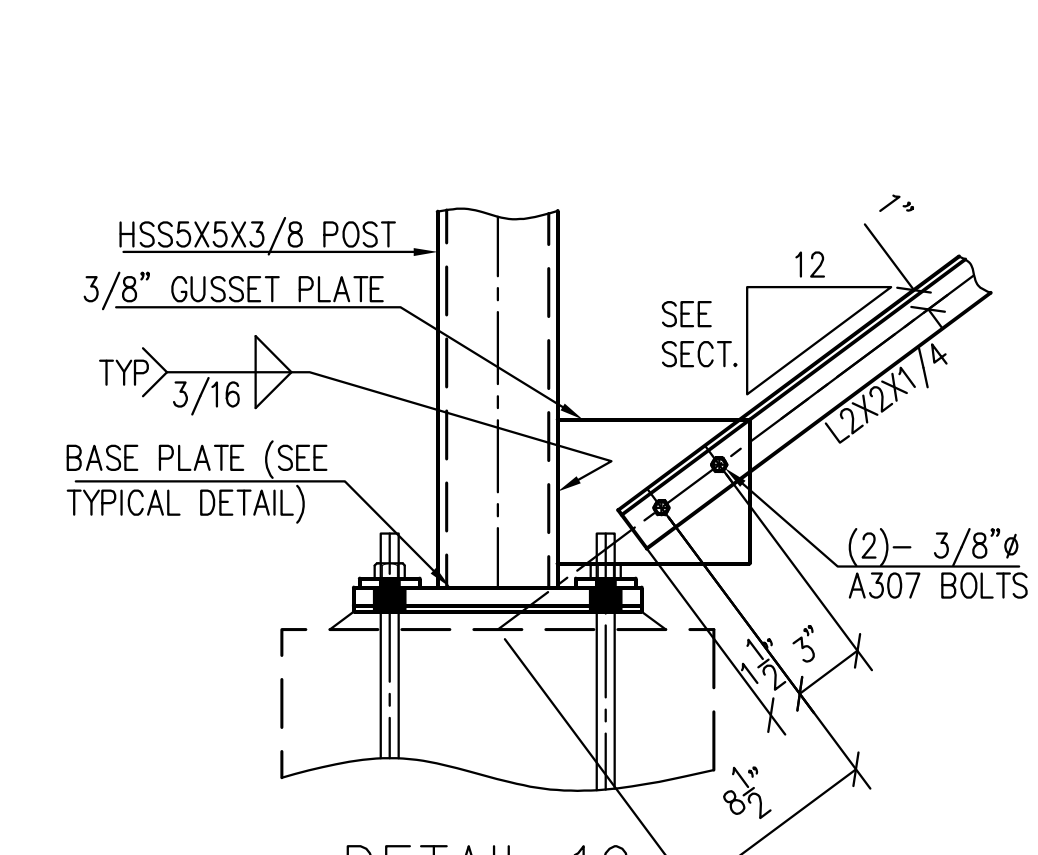
DETAIL KEY:
M4-AB: TYPICAL BASE PLATE DETAILS
M4-2: TYPICAL DETAILS
M4-10: DETAILS 1-12
M4-11: DETAILS 13-26



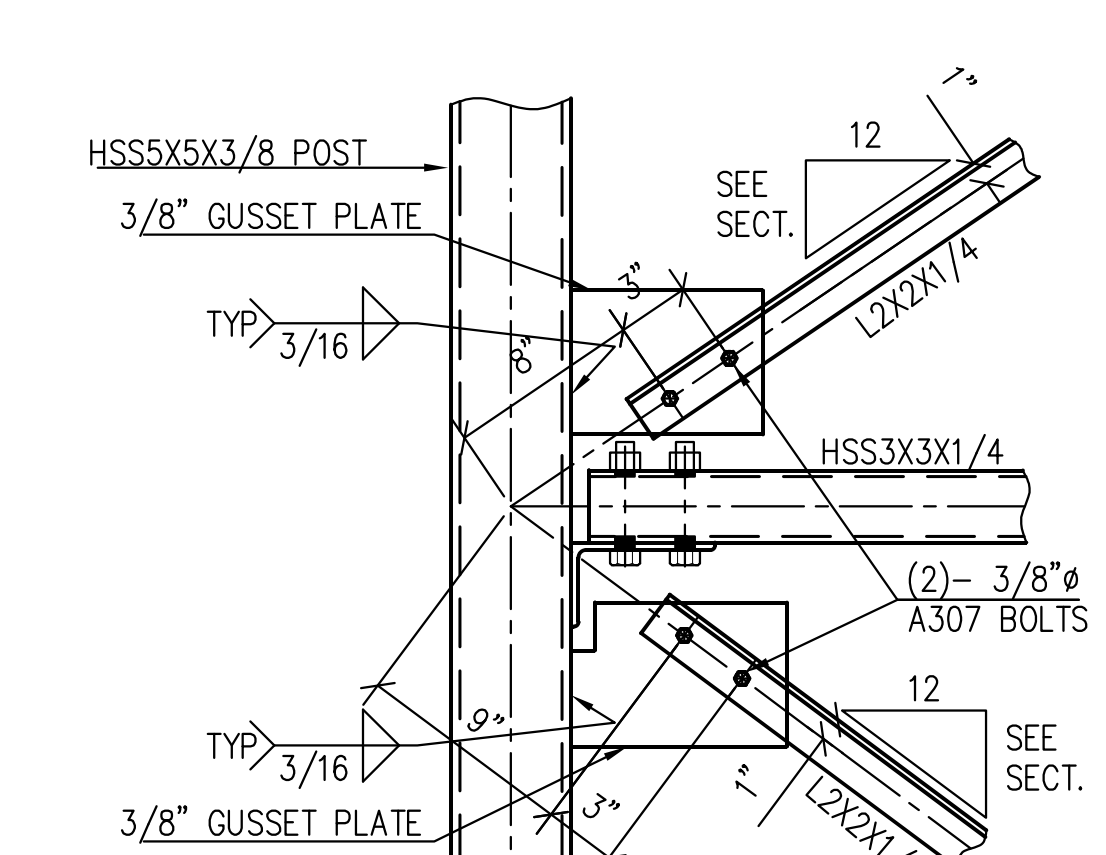
DETAIL 17
SCALE 1 1/2"=1'-0"



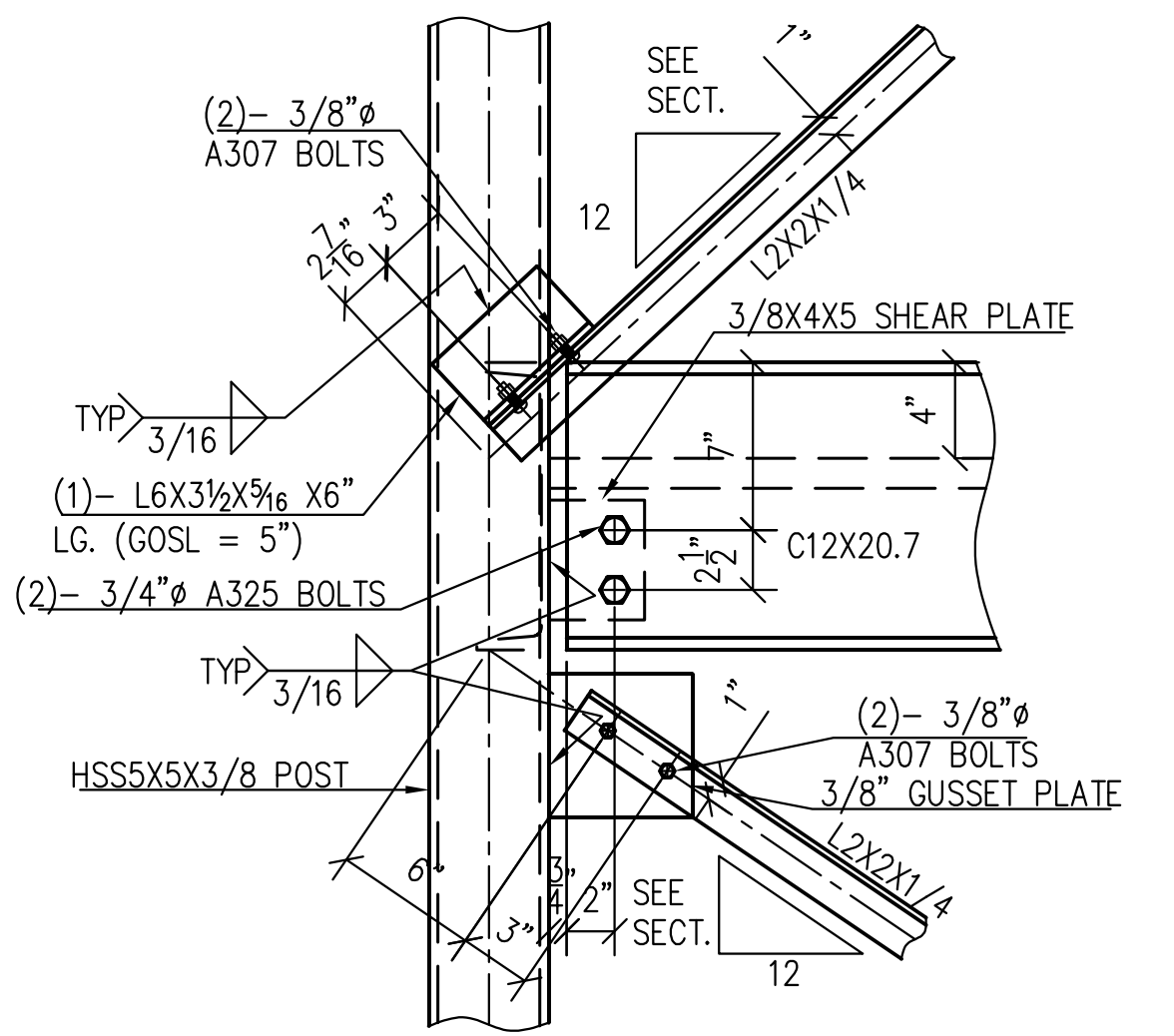
DETAIL 18
SCALE 1 1/2"=1'-0"



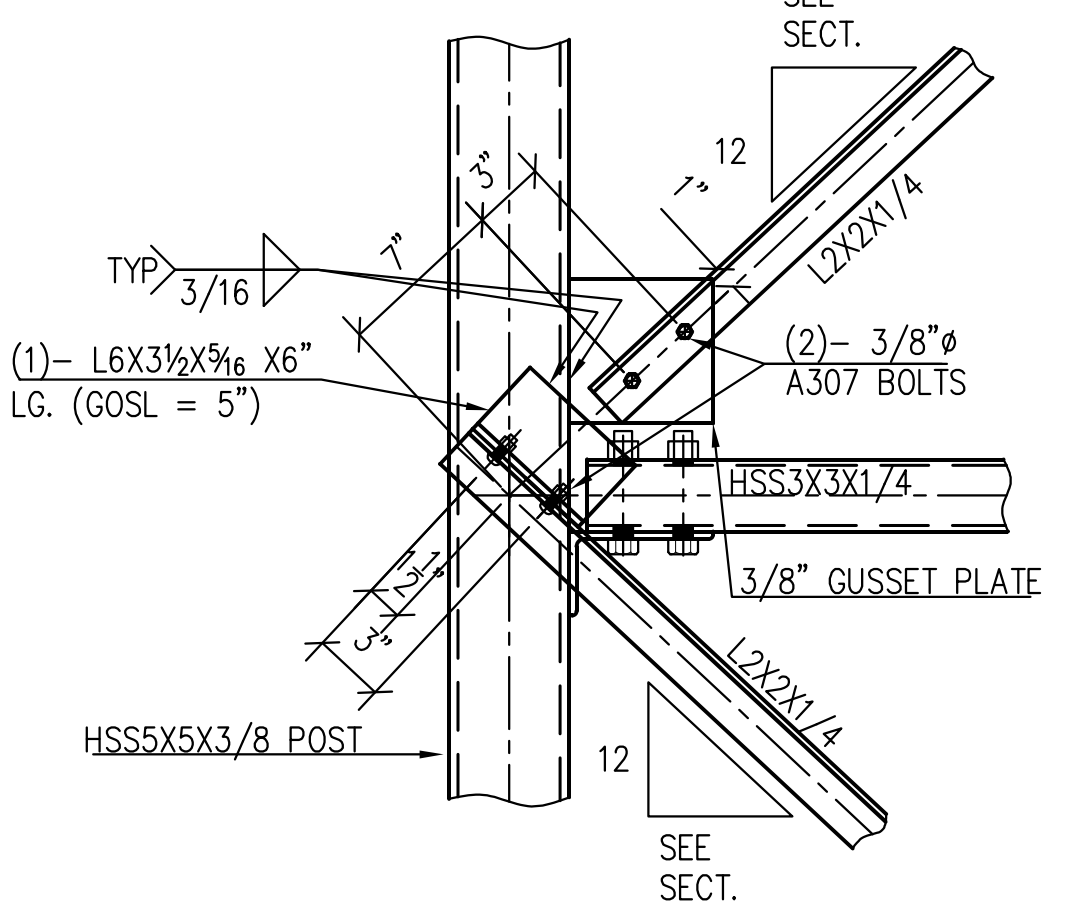
DETAIL 19
SCALE 1 1/2"=1'-0"



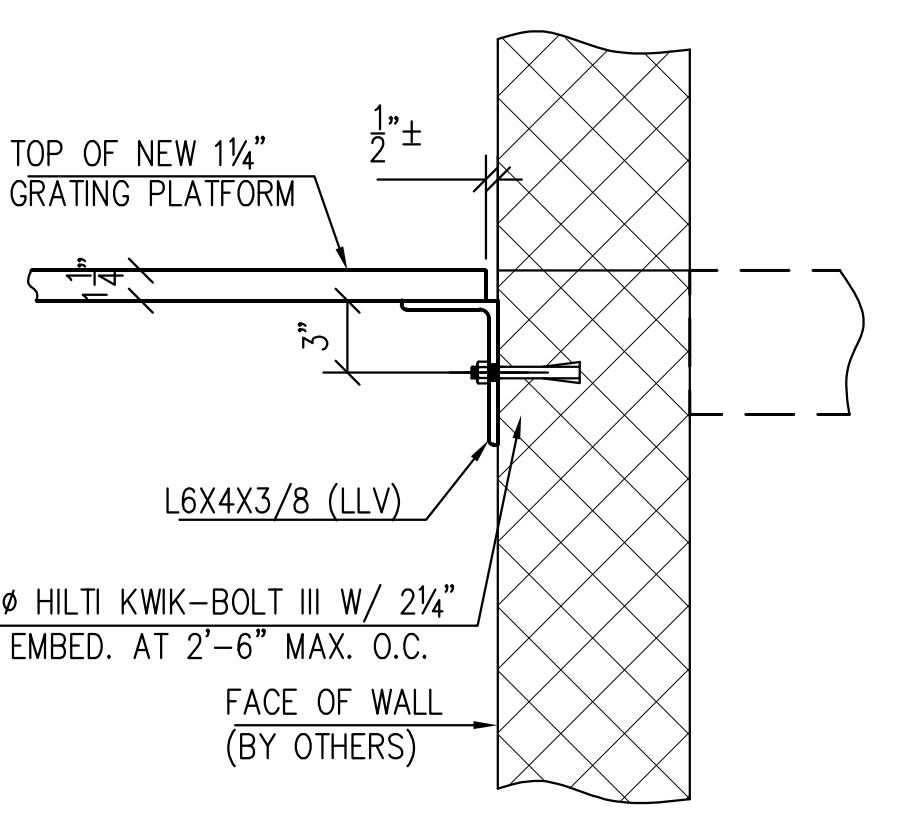
DETAIL 20
SCALE 1 1/2"=1'-0"



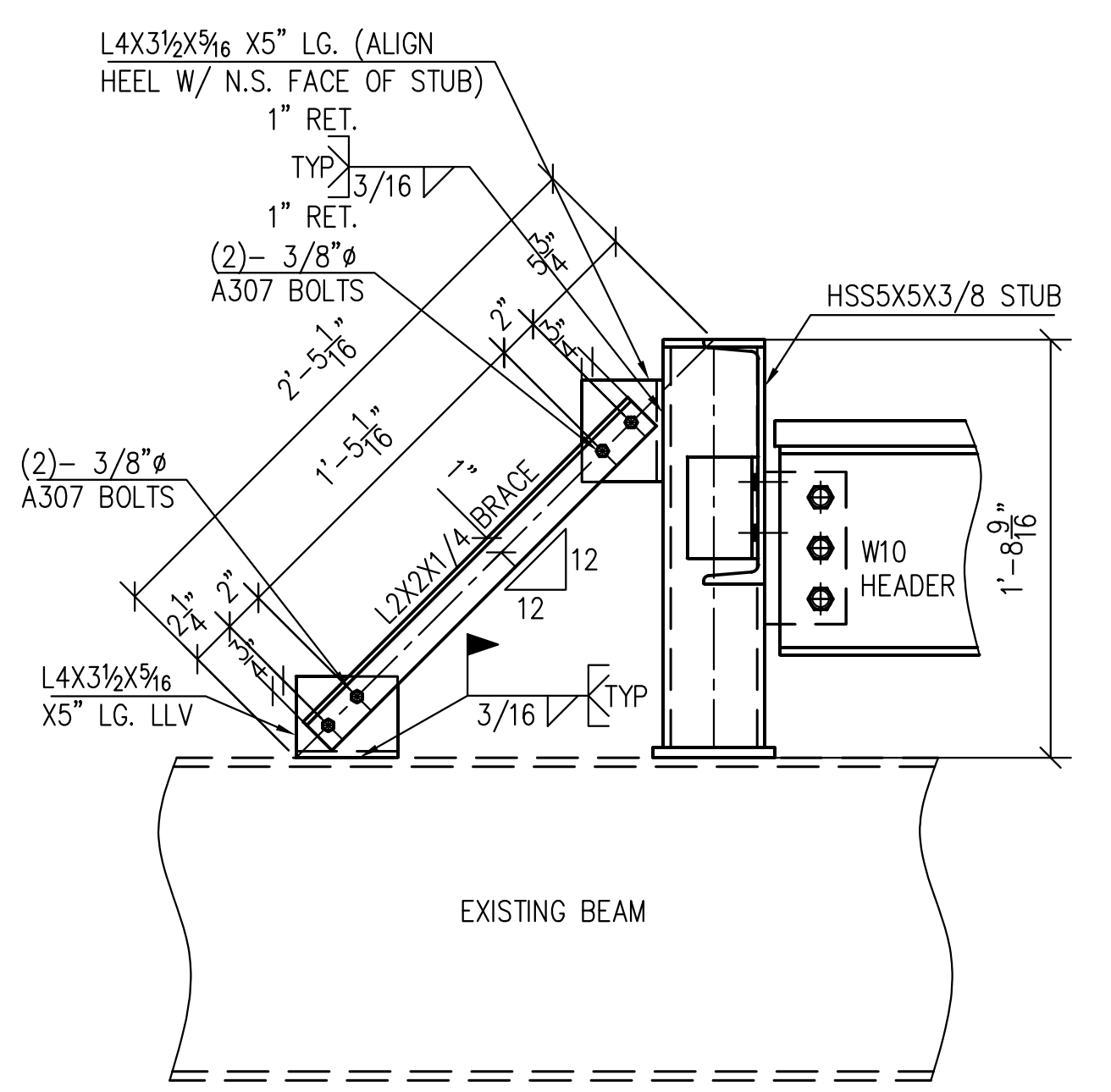
DETAIL 21
SCALE 1 1/2"=1'-0"



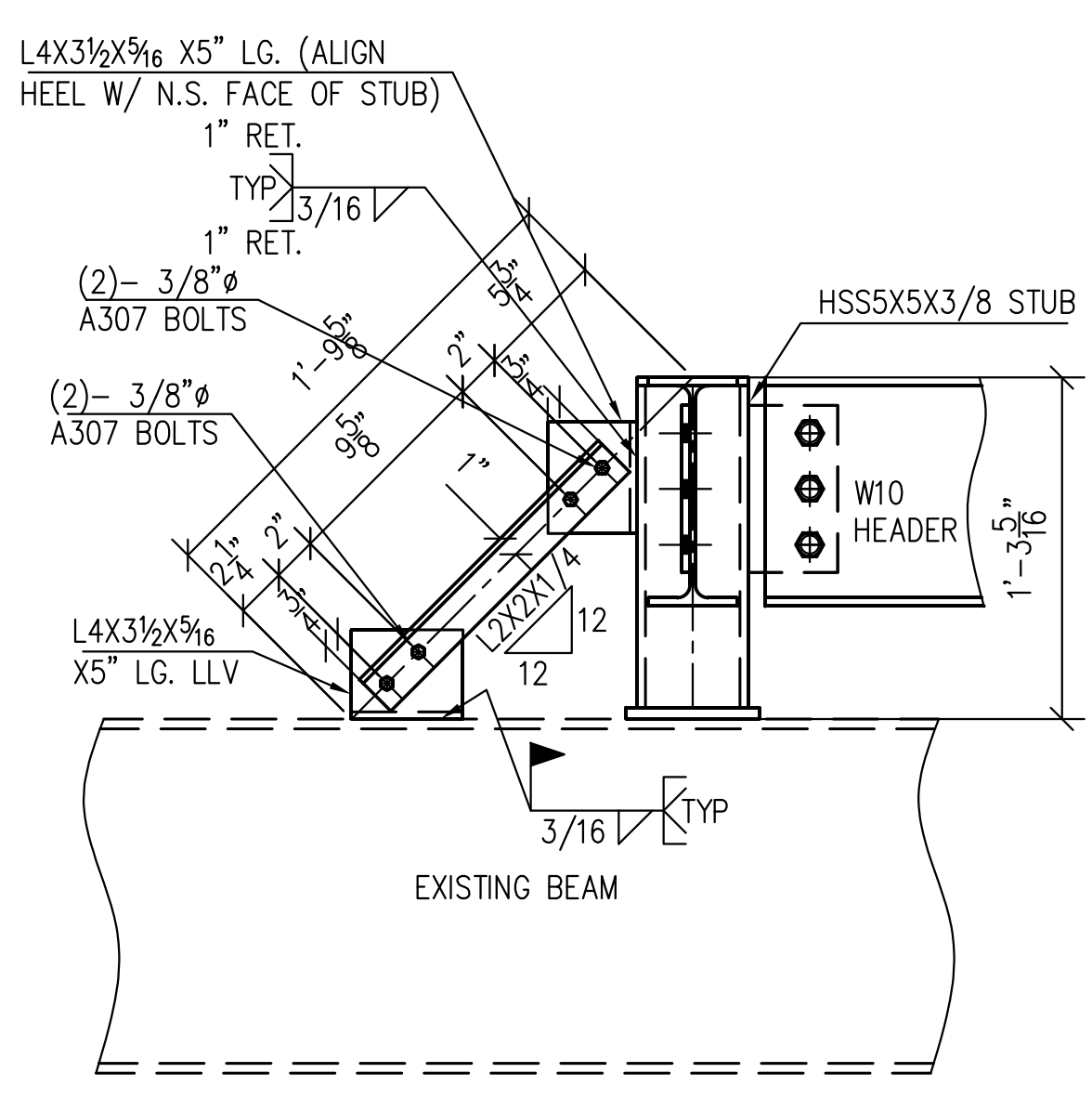
DETAIL 22
SCALE 1 1/2"=1'-0"



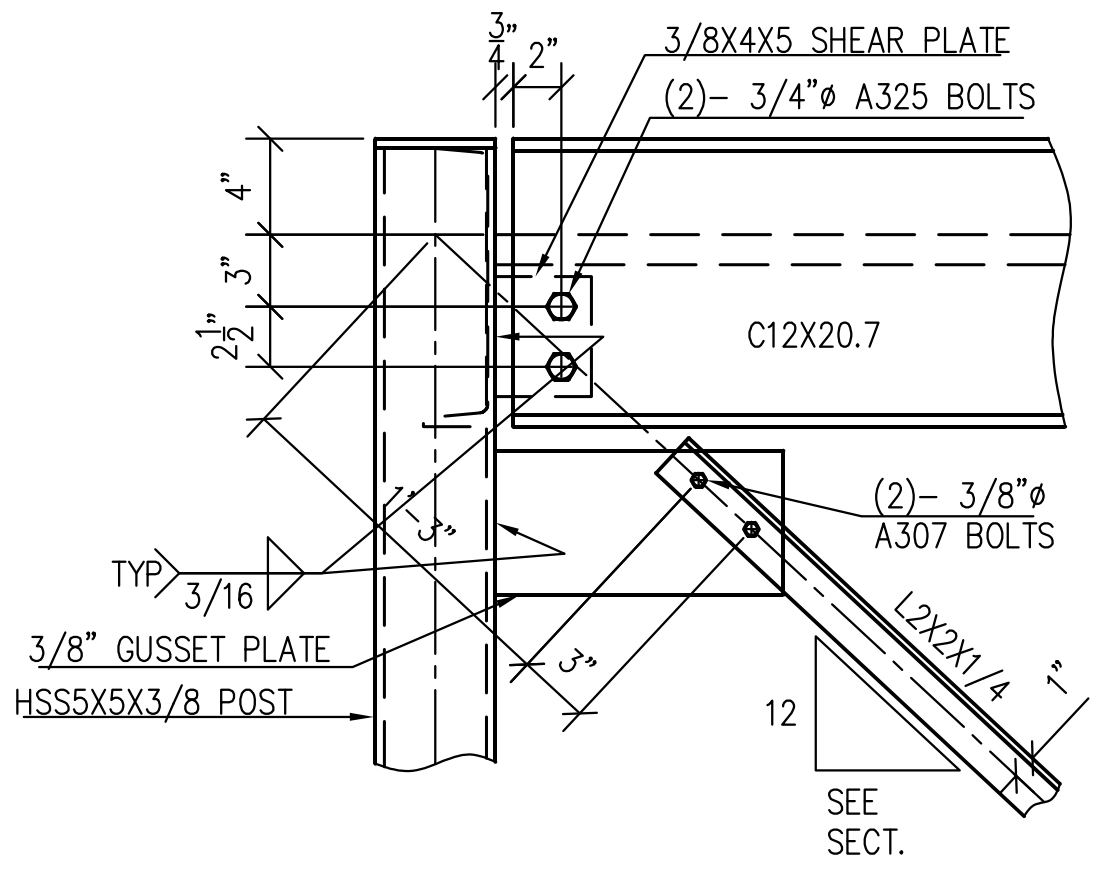
DETAIL 24
SCALE 1 1/2"=1'-0"



DETAIL 25
SCALE 1 1/2"=1'-0"



DETAIL 26
SCALE 1 1/2"=1'-0"



DETAIL 23
SCALE 1 1/2"=1'-0"

GENERAL NOTES:

1. V.I.F. INDICATES DIMENSION TO BE VERIFIED IN FIELD
2. F.V. INDICATES FIELD VERIFIED DIMENSION
3. ALL CHANNELS, ANGLES, AND PLATES TO BE ASTM A36 U.O.N.
4. ALL WIDE FLANGE SECTIONS TO BE ASTM A992 U.O.N.
5. ALL HSS SECTIONS TO BE ASTM A500 GRADE B U.O.N.
6. ALL PIPE TO BE ASTM A500 GRADE B U.O.N.
7. ALL MECHANICAL TUBE TO BE ASTM A513 U.O.N.

REVISION	DESCRIPTION	DATE	BY
2	SHOP DRAWINGS FOR FAB. & ERECTION	1/11/2017	TS
1	SHOP DRAWINGS FOR COORDINATION	11/16/2016	TS
0	SHOP DRAWINGS FOR APPROVAL	10/20/2016	TS

WELDS: E70XX U.O.N. HOLES: 1/16" U.O.N.
FINISH: HOT-DIPPED GALVANIZED U.O.N.



FOR FAB. & ERECTION:
1/10/2017

REFERENCE DESIGN DRAWINGS:
A-302, S-507

JOB NAME: LIDL DISTRIBUTION CENTER	ITEM NUMBER: -
JOB NUMBER: -	
JOB LOCATION: PERRYVILLE, MD	DATE: 1/12/2017
GENERAL CONTRACTOR:	DETAILER: TS
ITEM: EXTERIOR GRATING STAIR (3/A302)	DRAWING NO.: M4-11