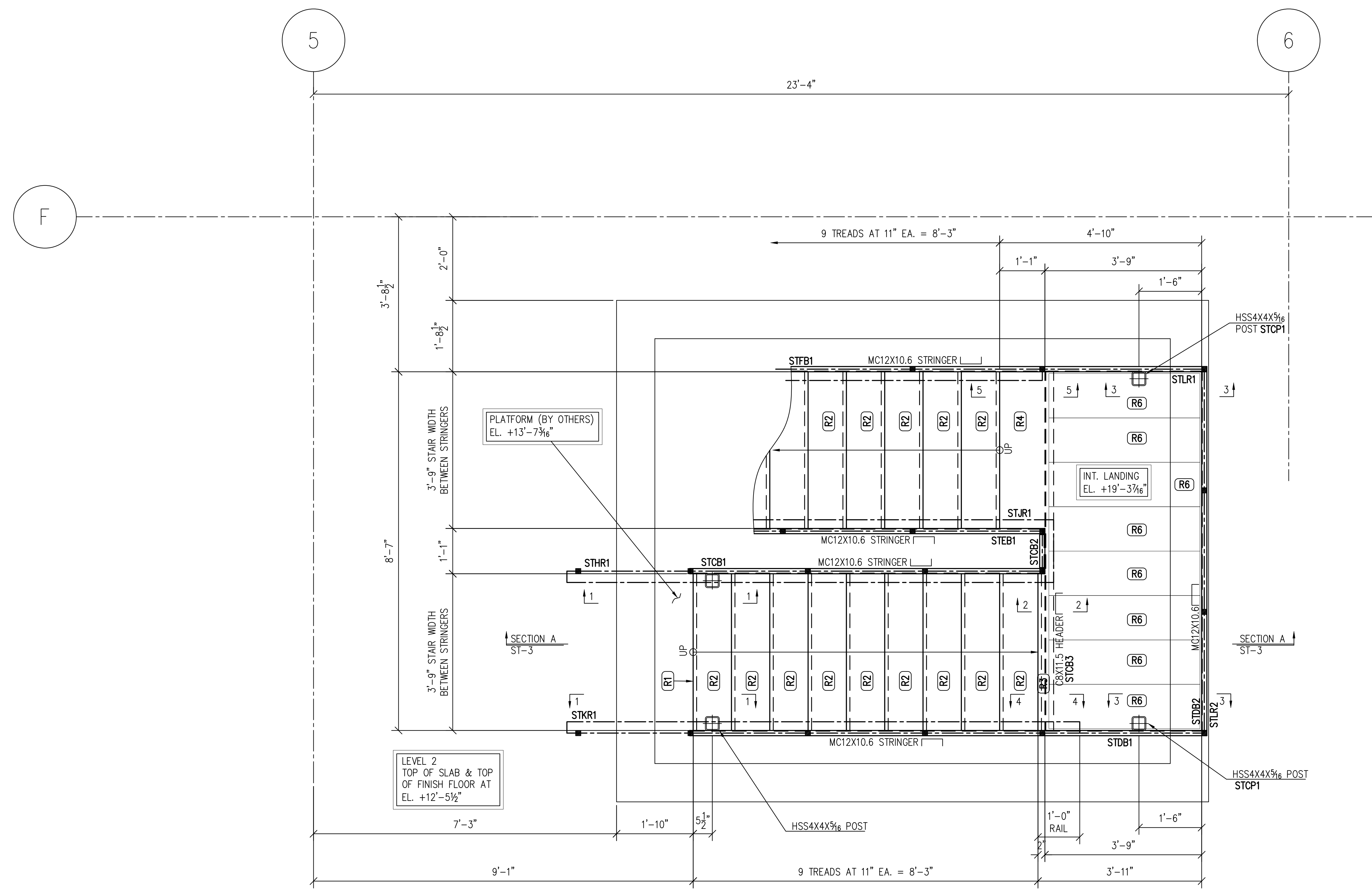


= AREA OF WORK
 KEY PLAN

DETAIL KEY:
 ST-4: DETAILS 12 & 13
 ST-5: TYPICAL, DET. 1-6
 ST-6: DETAILS 7-11 & 14



STAIR PLAN AT SECOND FLOOR
 SCALE 3/4"=1'-0"

GENERAL NOTES:

1. V.I.F. INDICATES DIMENSION TO BE VERIFIED IN FIELD
2. F.V. INDICATES FIELD VERIFIED DIMENSION
3. ALL CHANNELS, ANGLES, AND PLATES TO BE ASTM A36 U.O.N.
4. ALL WIDE FLANGE SECTIONS TO BE ASTM A992 U.O.N.
5. ALL HSS SECTIONS TO BE ASTM A500 GRADE C U.O.N.
6. ALL PIPE TO BE ASTM A500 GRADE B U.O.N.
7. ALL MECHANICAL TUBE TO BE ASTM A513 U.O.N.

REVISION	DESCRIPTION	DATE	BY
2	SHOP DRAWINGS FOR APPROVAL	12/16/2021	TS
1	SHOP DRAWINGS FOR FAB. & ERECTION	11/24/2021	TS
0	SHOP DRAWINGS FOR APPROVAL	10/28/2021	TS

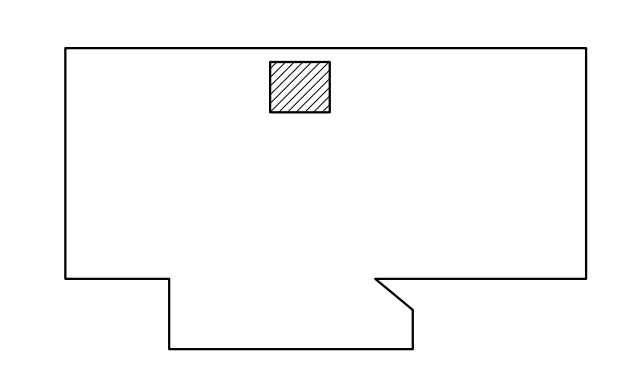
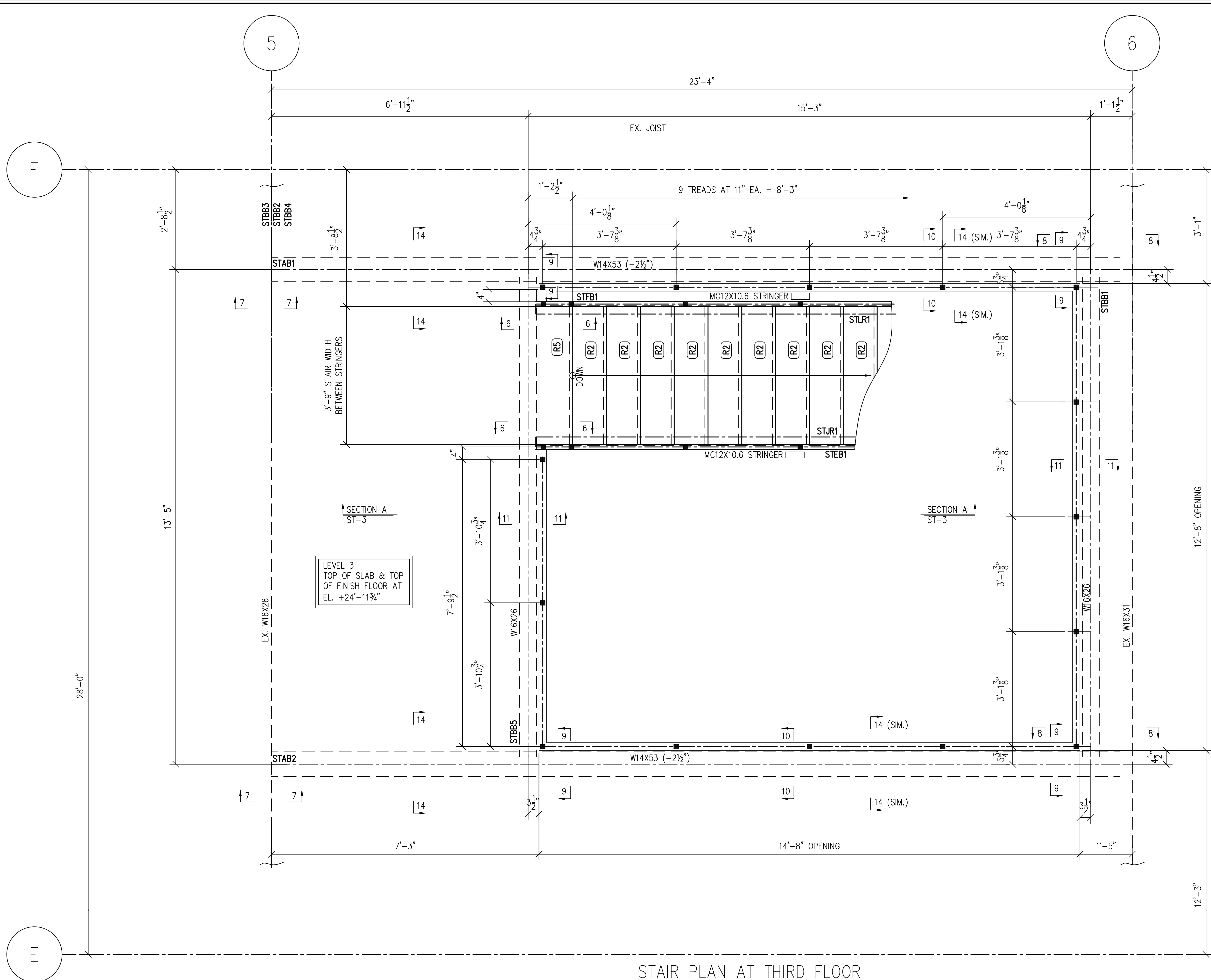
WELDS: E70XX U.O.N. HOLES: 1 3/16" Ø U.O.N.
 FINISH: ONE COAT SHOP PRIMER U.O.N.



FOR APPROVAL:
 12/16/2021

REFERENCE DESIGN DRAWINGS:
 A202, A203, A603, S101, S102

JOB NAME: BUTTERFLY NETWORK, INC.	ITEM NUMBER: -
JOB NUMBER: -	DATE: 10/12/2021
JOB LOCATION: BURLINGTON, MA	DETAILER: TS
GENERAL CONTRACTOR: -	ITEM DESCRIPTION: STAIR
	DRAWING NO.: ST-1



= AREA OF WORK
 KEY PLAN

DETAIL KEY:
 ST-4: DETAILS 12 & 13
 ST-5: TYPICAL, DET. 1-6
 ST-6: DETAILS 7-11 & 14

ON CENTER
 STEEL DETAILING LLC
 STAIRS - MISCELLANEOUS - STRUCTURAL
 OCSTEELDETAILING.COM

LEVEL 3
 TOP OF SLAB & TOP
 OF FINISH FLOOR AT
 EL. +24'-11 3/4"

- GENERAL NOTES:**
- V.I.F. INDICATES DIMENSION TO BE VERIFIED IN FIELD
 - F.V. INDICATES FIELD VERIFIED DIMENSION
 - ALL CHANNELS, ANGLES, AND PLATES TO BE ASTM A36 U.O.N.
 - ALL WIDE FLANGE SECTIONS TO BE ASTM A992 U.O.N.
 - ALL HSS SECTIONS TO BE ASTM A500 GRADE C U.O.N.
 - ALL PIPE TO BE ASTM A500 GRADE B U.O.N.
 - ALL MECHANICAL TUBE TO BE ASTM A513 U.O.N.

REVISION	DESCRIPTION	DATE	BY
2	SHOP DRAWINGS FOR APPROVAL	12/16/2021	TS
1	SHOP DRAWINGS FOR FAB. & ERECTION	11/24/2021	TS
0	SHOP DRAWINGS FOR APPROVAL	10/28/2021	TS

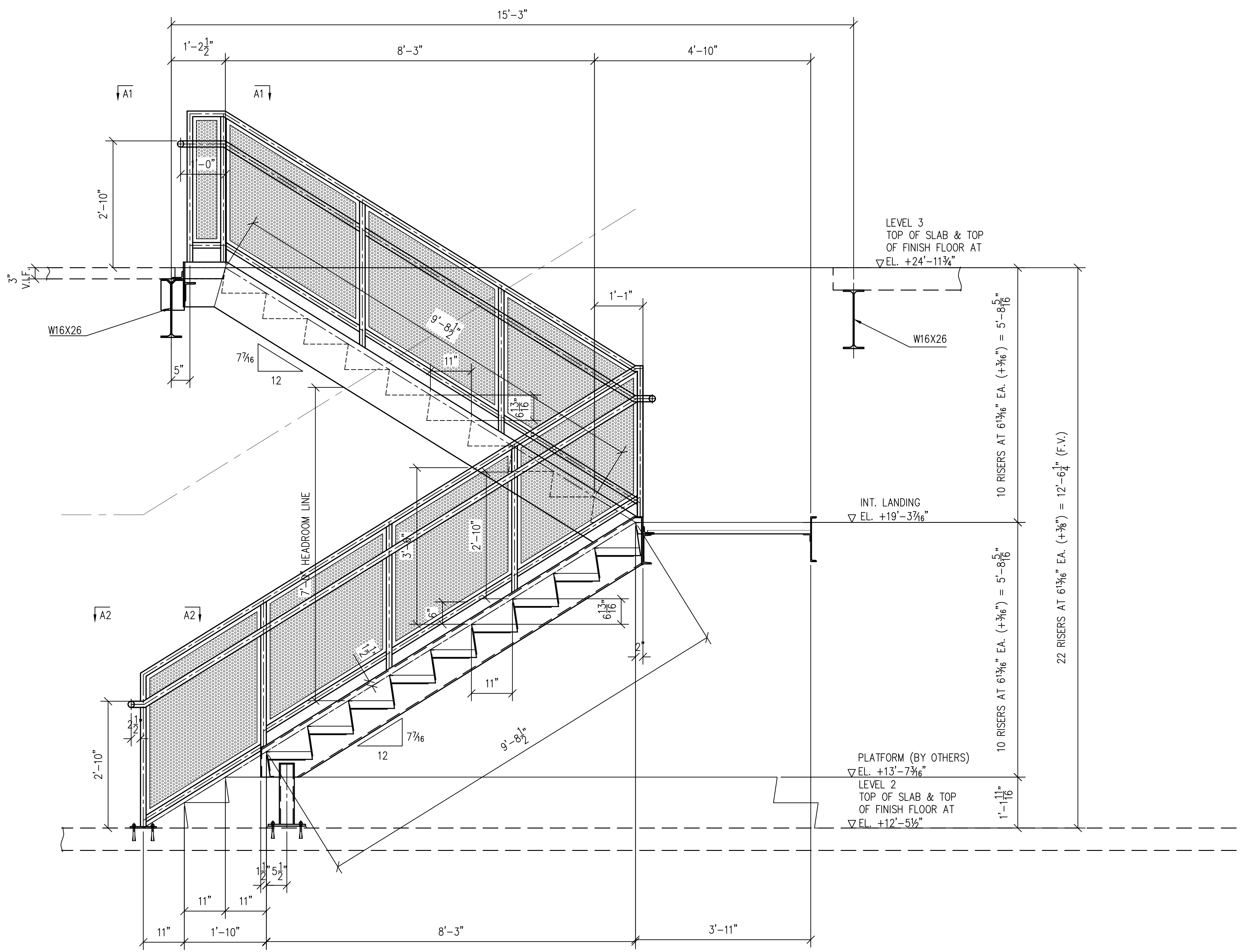
WELDS: E70XX U.O.N. HOLES: 1/16" Ø U.O.N.
 FINISH: ONE COAT SHOP PRIMER U.O.N.

STAIR PLAN AT THIRD FLOOR
 SCALE 3/4"=1'-0"

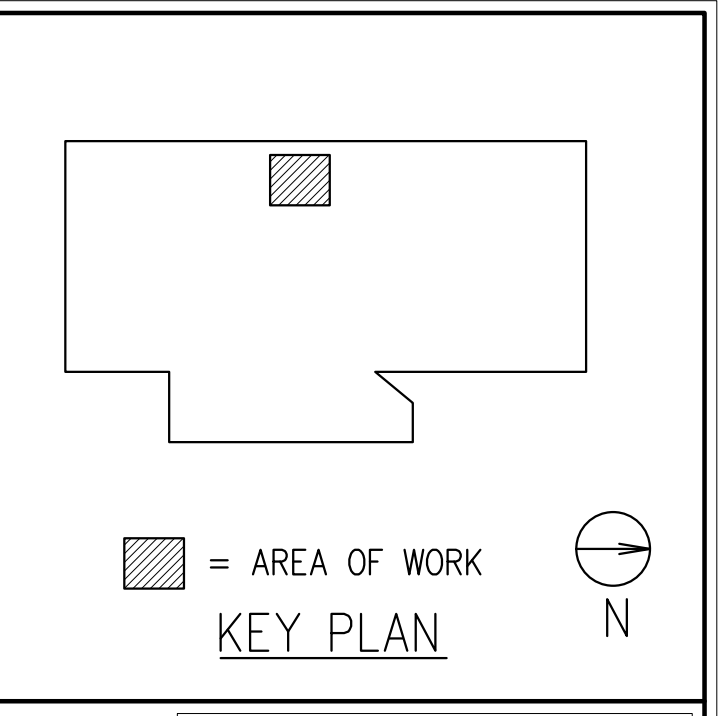
FOR APPROVAL:
 12/16/2021

REFERENCE DESIGN DRAWINGS:
 A202, A203, A603, S101, S102

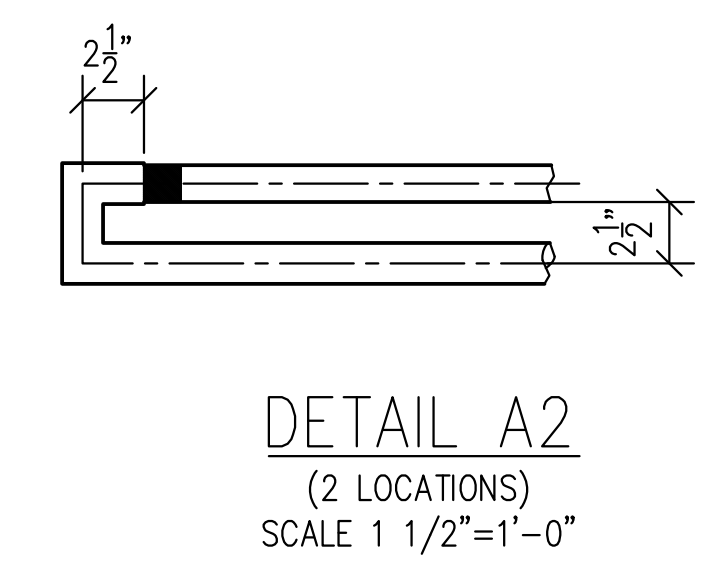
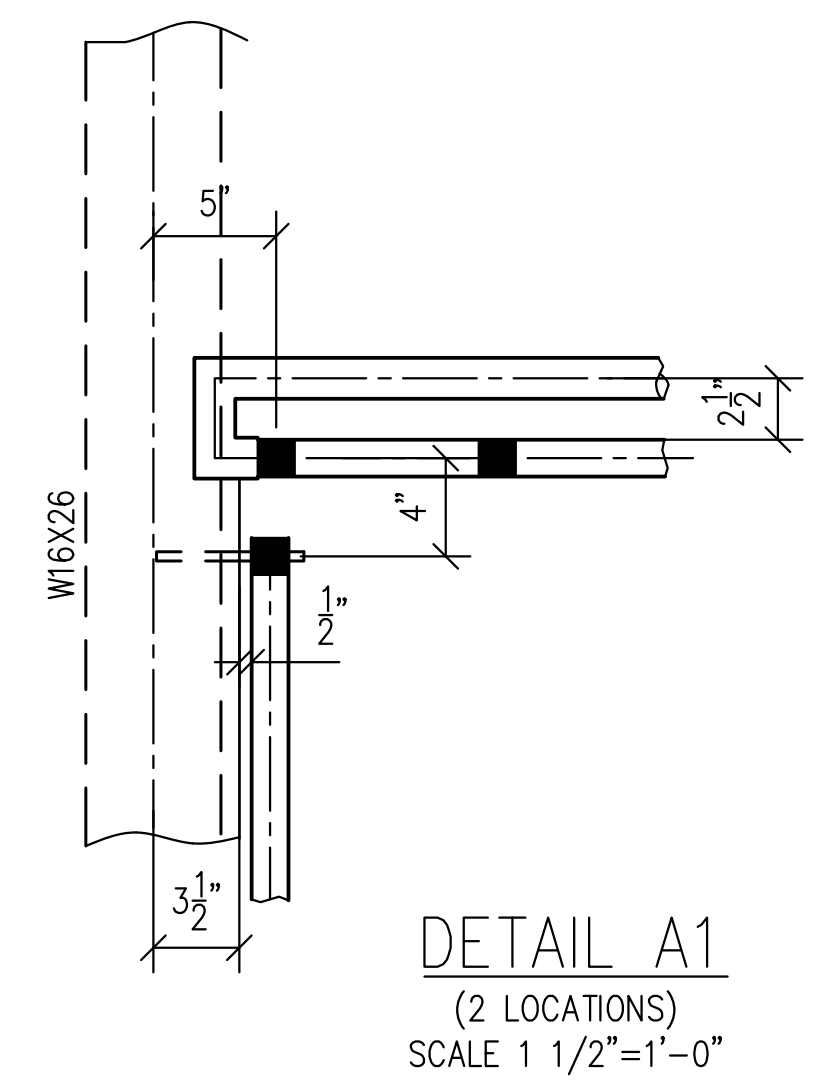
JOB NAME: BUTTERFLY NETWORK, INC.	ITEM NUMBER: -
JOB NUMBER: -	DATE: 10/12/2021
JOB LOCATION: BURLINGTON, MA	DETAILER: TS
GENERAL CONTRACTOR: -	ITEM DESCRIPTION: STAIR
	DRAWING NO.: ST-2



SECTION A
SCALE 3/4"=1'-0"



DETAIL KEY:
ST-4: DETAILS 12 & 13
ST-5: TYPICAL, DET. 1-6
ST-6: DETAILS 7-11 & 14



GENERAL NOTES:

1. V.I.F. INDICATES DIMENSION TO BE VERIFIED IN FIELD
2. F.V. INDICATES FIELD VERIFIED DIMENSION
3. ALL CHANNELS, ANGLES, AND PLATES TO BE ASTM A36 U.O.N.
4. ALL WIDE FLANGE SECTIONS TO BE ASTM A992 U.O.N.
5. ALL HSS SECTIONS TO BE ASTM A500 GRADE C U.O.N.
6. ALL PIPE TO BE ASTM A500 GRADE B U.O.N.
7. ALL MECHANICAL TUBE TO BE ASTM A513 U.O.N.

REVISION	DESCRIPTION	DATE	BY
2	SHOP DRAWINGS FOR APPROVAL	12/16/2021	TS
1	SHOP DRAWINGS FOR FAB. & ERECTION	11/24/2021	TS
0	SHOP DRAWINGS FOR APPROVAL	10/28/2021	TS

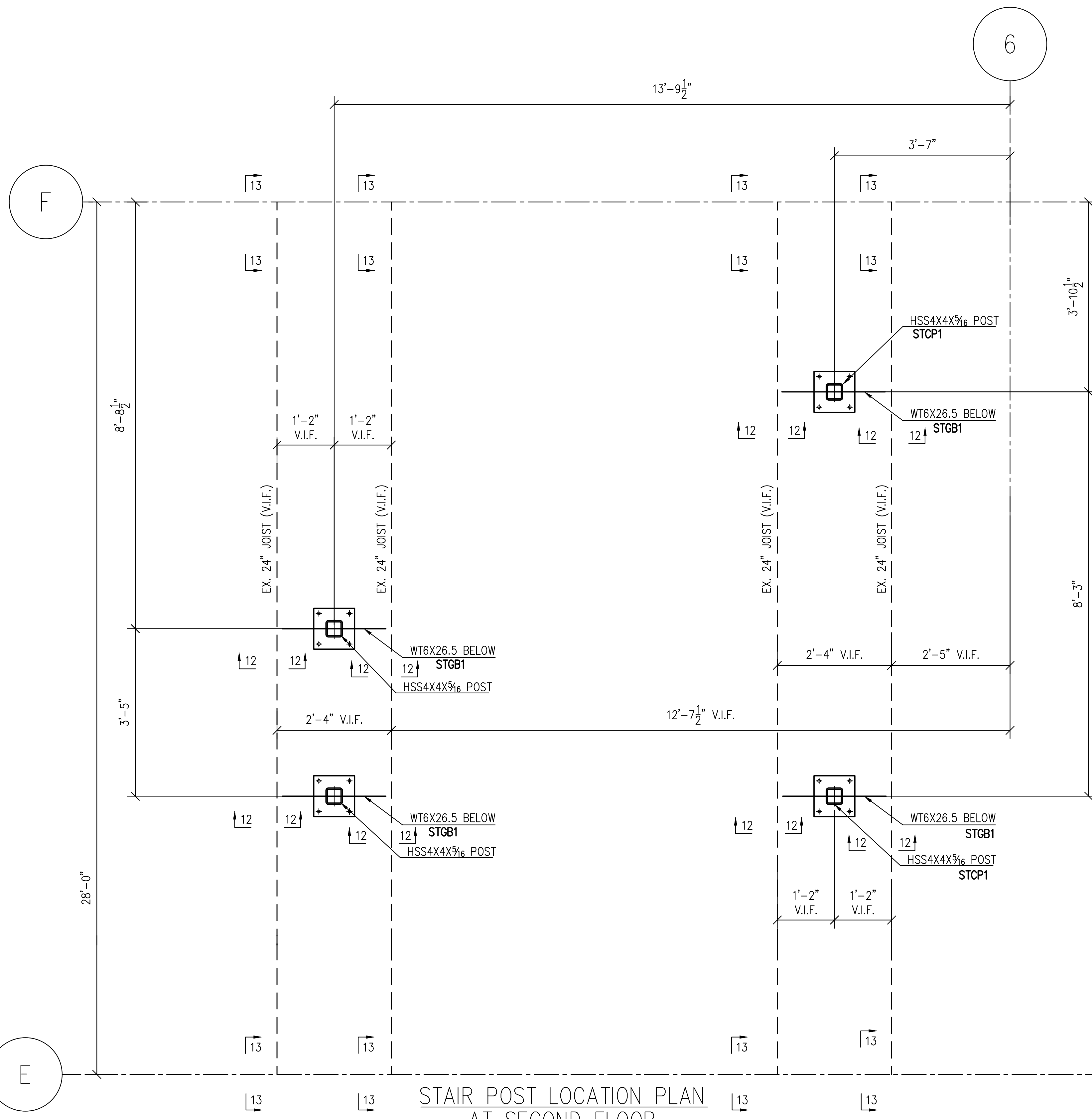
WELDS: E70XX U.O.N. HOLES: 13/16" Ø U.O.N.
FINISH: ONE COAT SHOP PRIMER U.O.N.



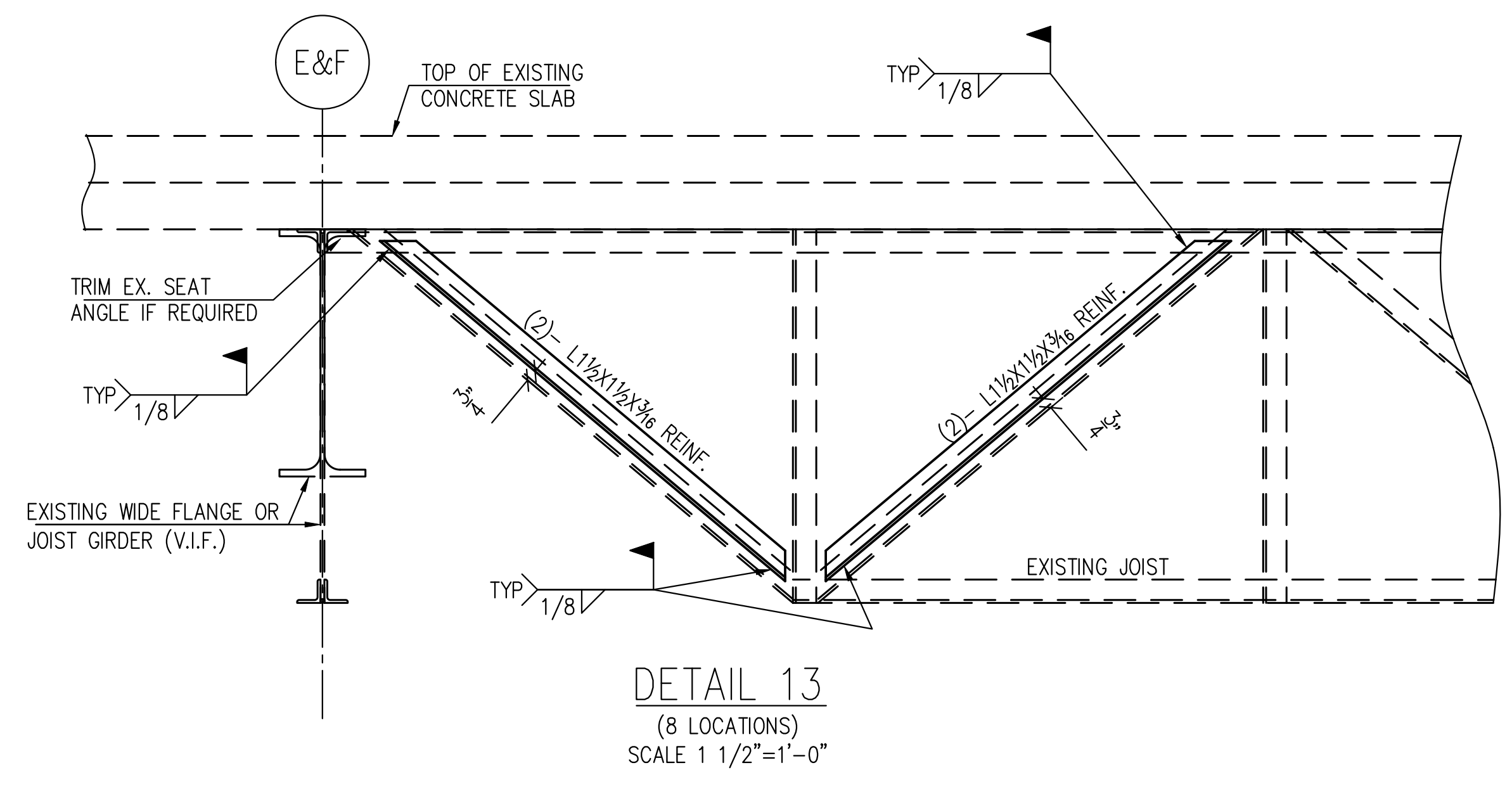
FOR APPROVAL:
12/16/2021

REFERENCE DESIGN DRAWINGS:
A202, A203, A603, S101, S102

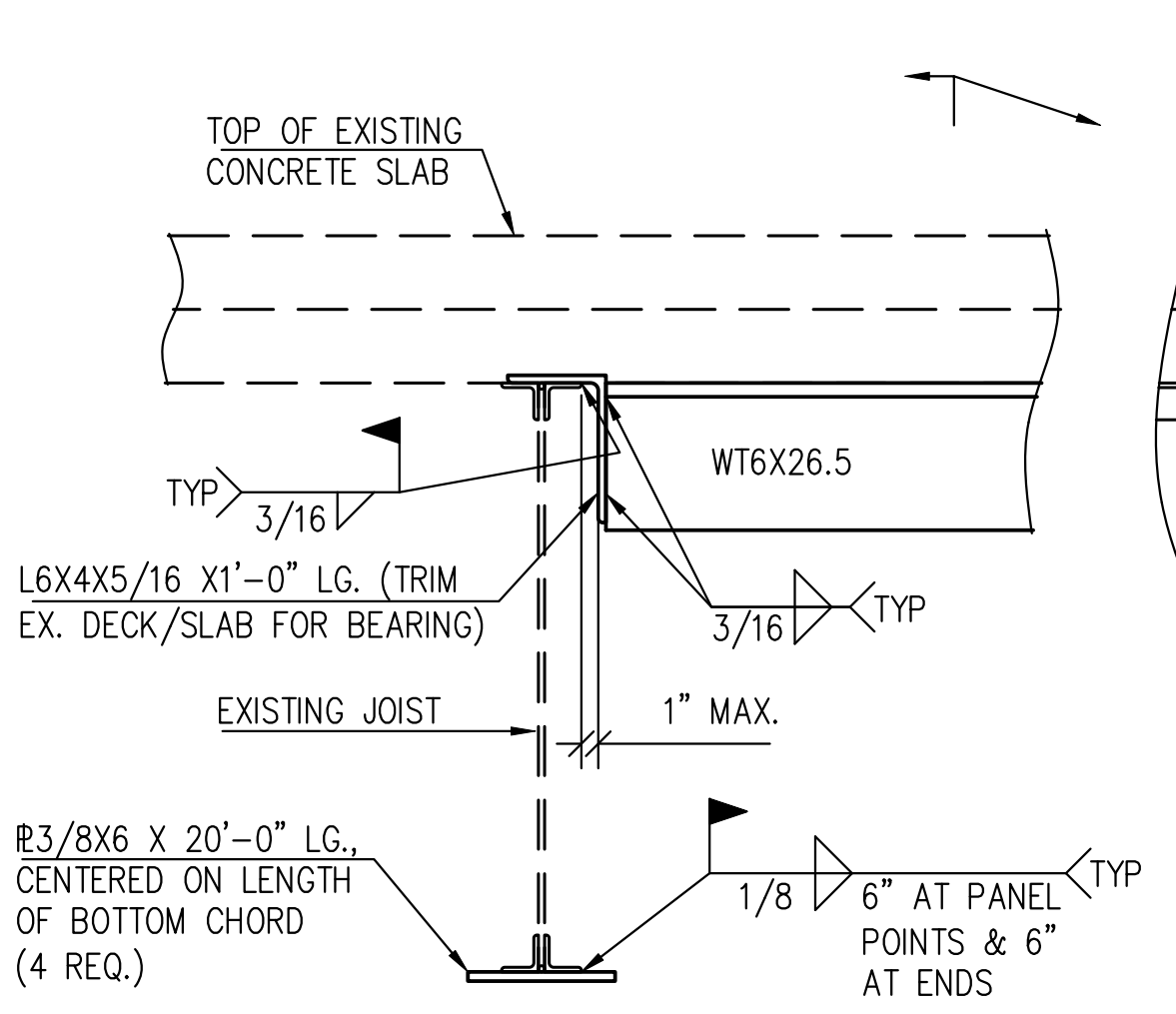
JOB NAME: BUTTERFLY NETWORK, INC.	ITEM NUMBER: -
JOB NUMBER: -	DATE: 10/12/2021
JOB LOCATION: BURLINGTON, MA	DETAILER: TS
GENERAL CONTRACTOR: -	ITEM DESCRIPTION: STAIR
	DRAWING NO.: ST-3



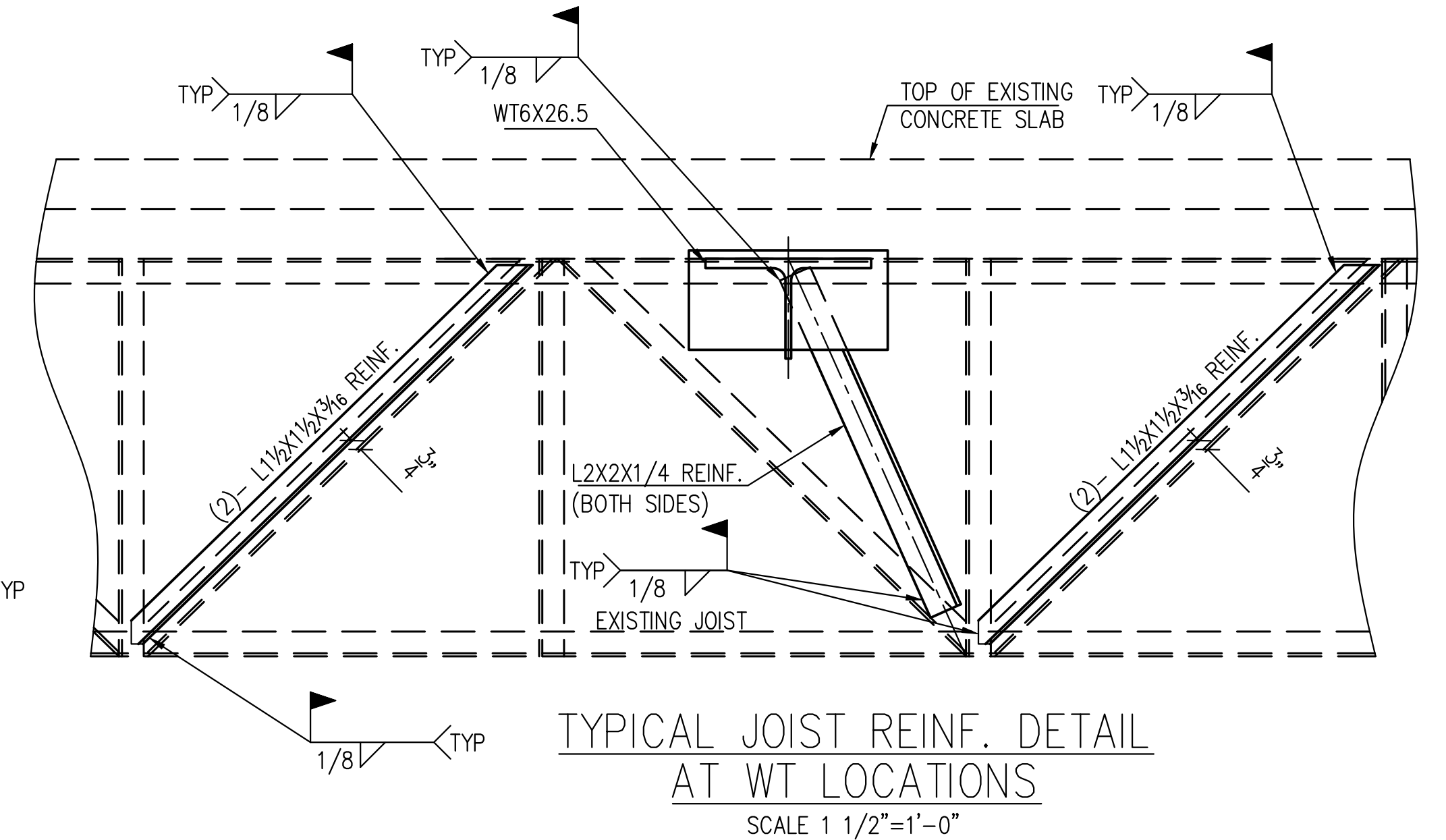
STAIR POST LOCATION PLAN
AT SECOND FLOOR
SCALE 3/4"=1'-0"



DETAIL 13
(8 LOCATIONS)
SCALE 1 1/2"=1'-0"



DETAIL 12
(8 LOCATIONS)
SCALE 1 1/2"=1'-0"



TYPICAL JOIST REIN. DETAIL
AT WT LOCATIONS
SCALE 1 1/2"=1'-0"

- GENERAL NOTES:**
1. V.I.F. INDICATES DIMENSION TO BE VERIFIED IN FIELD
 2. F.V. INDICATES FIELD VERIFIED DIMENSION
 3. ALL CHANNELS, ANGLES, AND PLATES TO BE ASTM A36 U.O.N.
 4. ALL WIDE FLANGE SECTIONS TO BE ASTM A992 U.O.N.
 5. ALL HSS SECTIONS TO BE ASTM A500 GRADE C U.O.N.
 6. ALL PIPE TO BE ASTM A500 GRADE B U.O.N.
 7. ALL MECHANICAL TUBE TO BE ASTM A513 U.O.N.

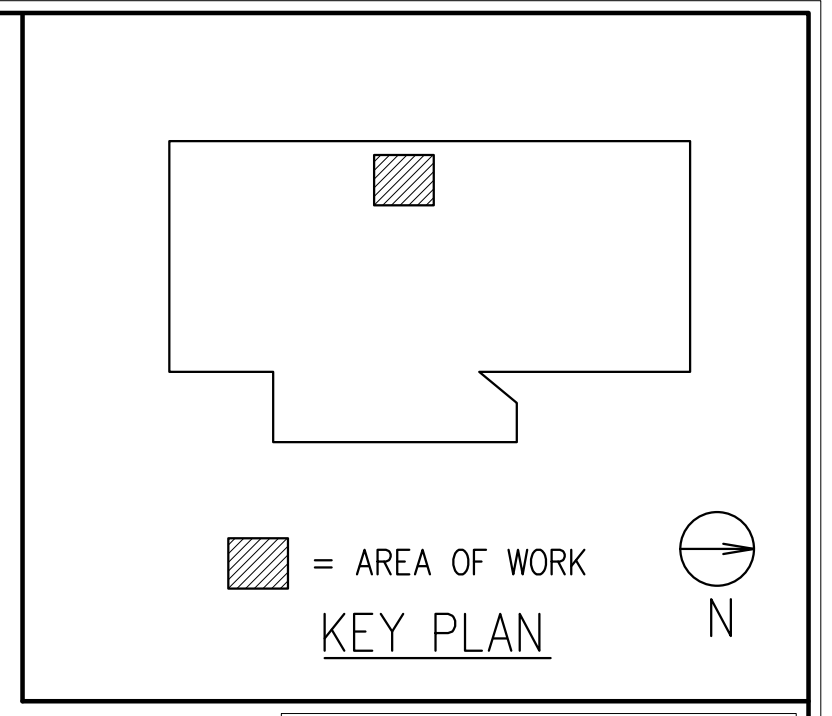
REVISION	DESCRIPTION	DATE	BY
2	SHOP DRAWINGS FOR APPROVAL	12/16/2021	TS
1	SHOP DRAWINGS FOR FAB. & ERECTION	11/24/2021	TS
0	SHOP DRAWINGS FOR APPROVAL	10/28/2021	TS

WELDS: E70XX U.O.N. HOLES: 1/16" Ø U.O.N.
FINISH: ONE COAT SHOP PRIMER U.O.N.

FOR APPROVAL:
12/16/2021

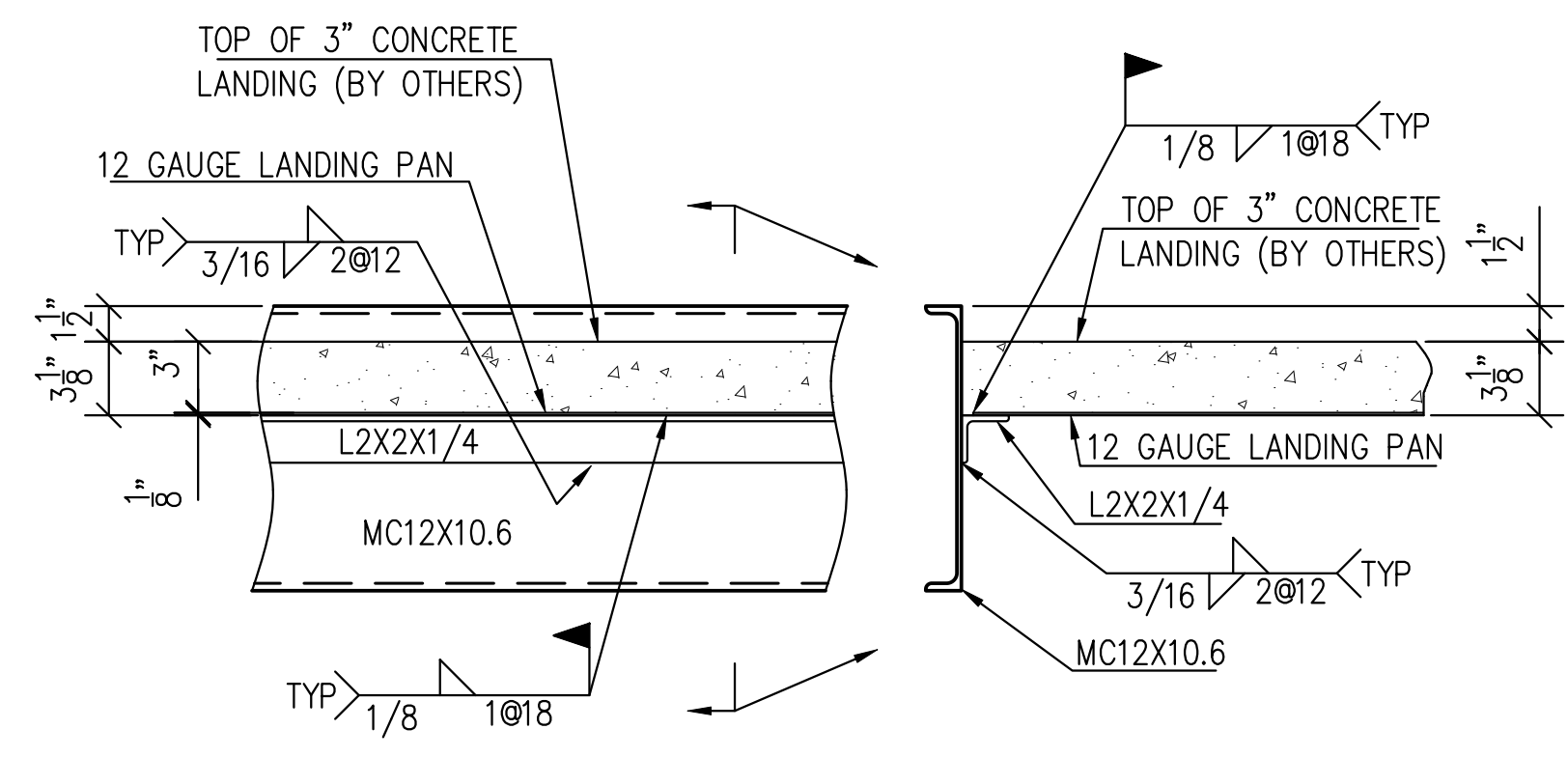
REFERENCE DESIGN DRAWINGS:
A202, A203, A603, S101, S102

JOB NAME: BUTTERFLY NETWORK, INC.	ITEM NUMBER: -
JOB NUMBER: -	DATE: 10/12/2021
JOB LOCATION: BURLINGTON, MA	DETAILER: TS
GENERAL CONTRACTOR: -	ITEM DESCRIPTION: STAIR
	DRAWING NO.: ST-4

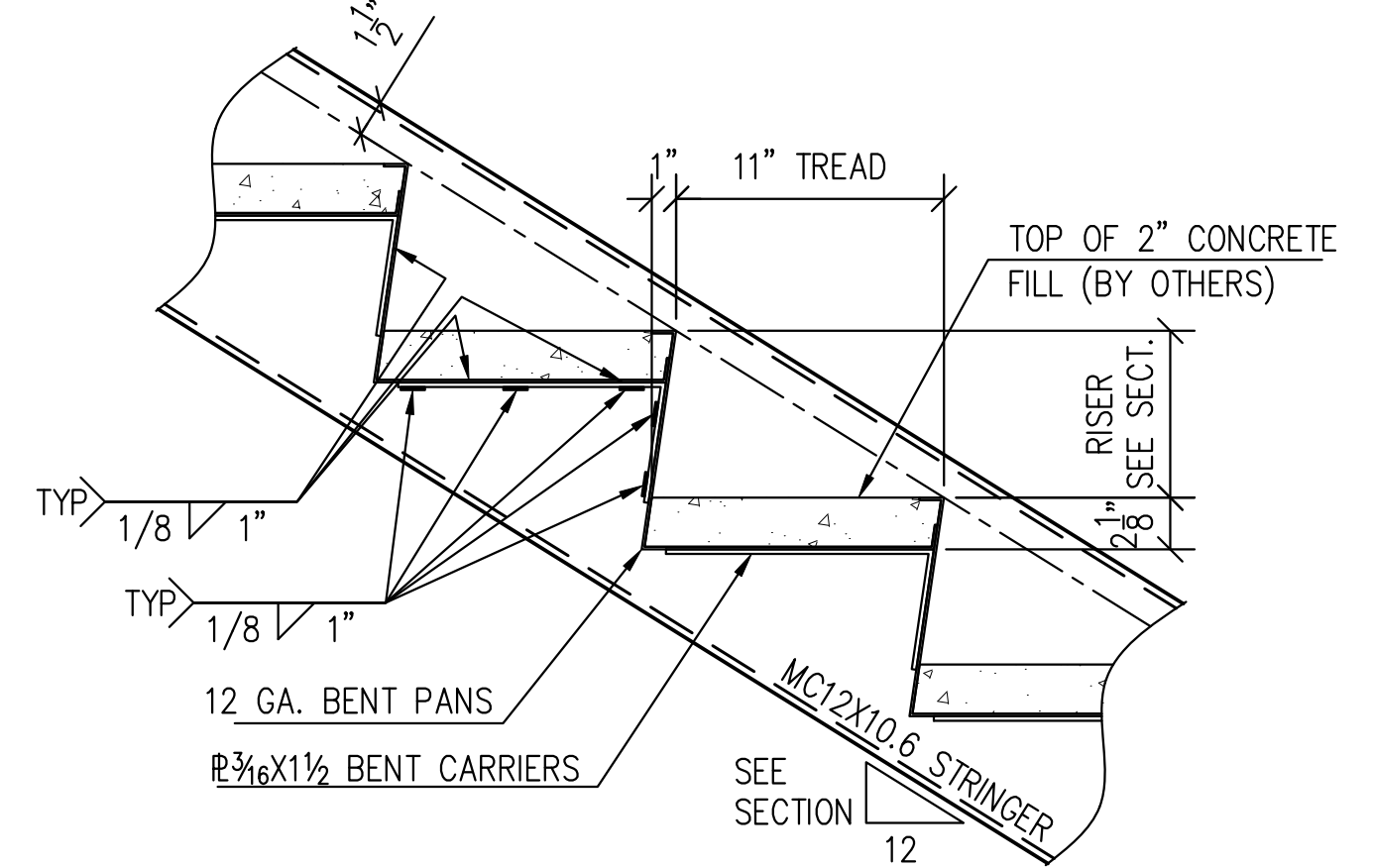


DETAIL KEY:
ST-4: DETAILS 12 & 13
ST-5: TYPICAL, DET. 1-6
ST-6: DETAILS 7-11 & 14

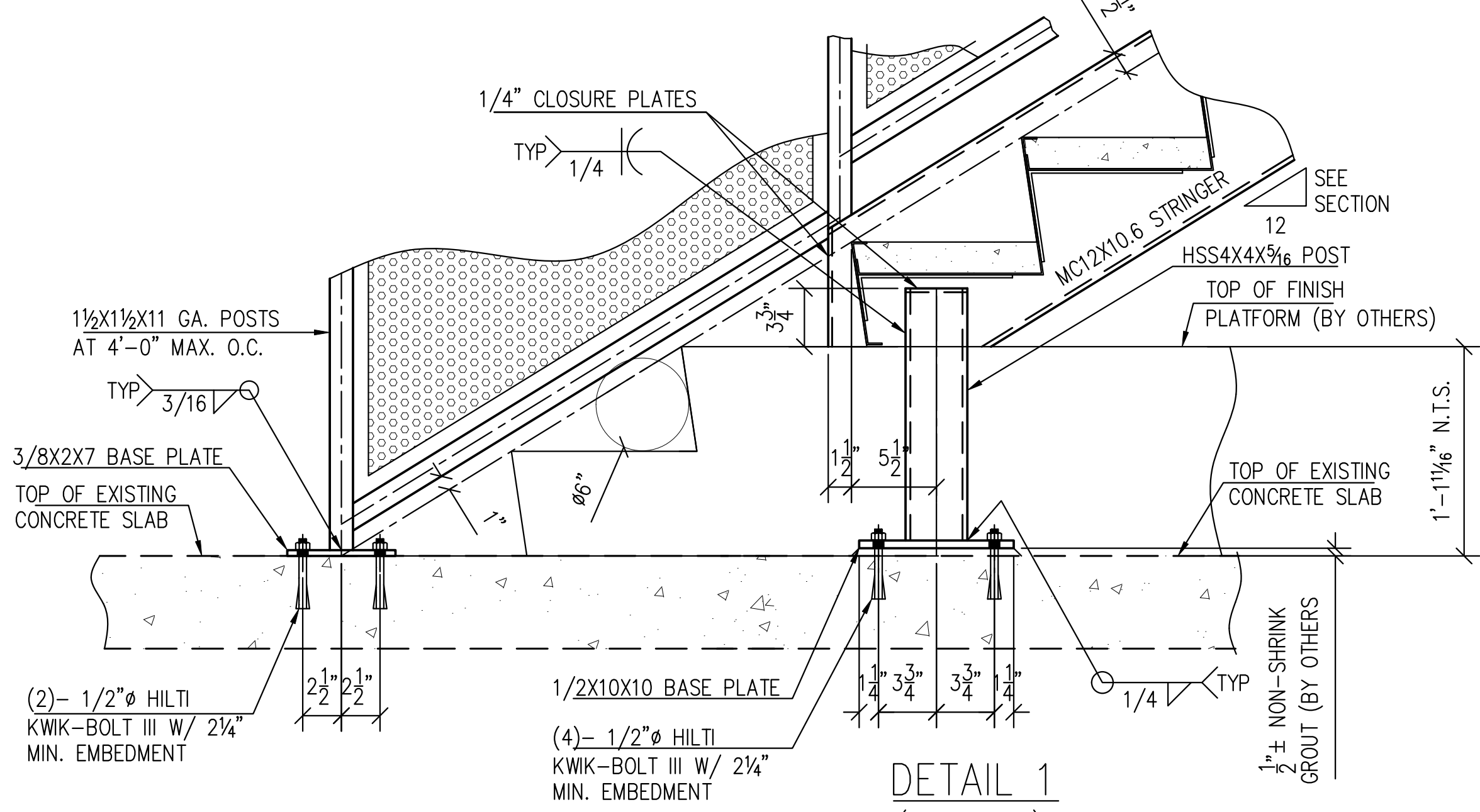
ON CENTER
STEEL DETAILING LLC
STEEL - MISCELLANEOUS - STRUCTURAL
OCSTEELDETAILING.COM



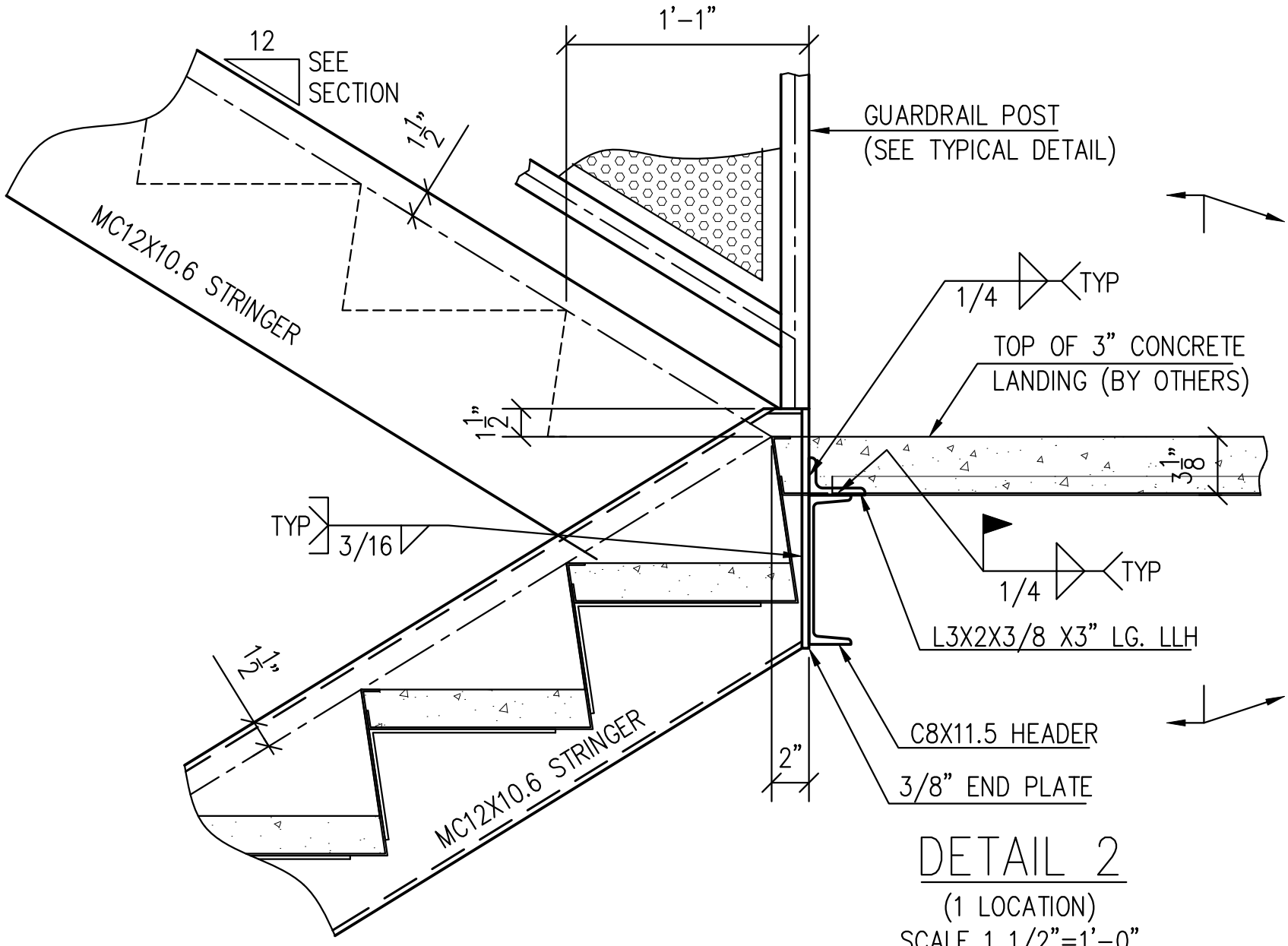
TYPICAL LANDING DETAIL
SCALE 1 1/2"=1'-0"



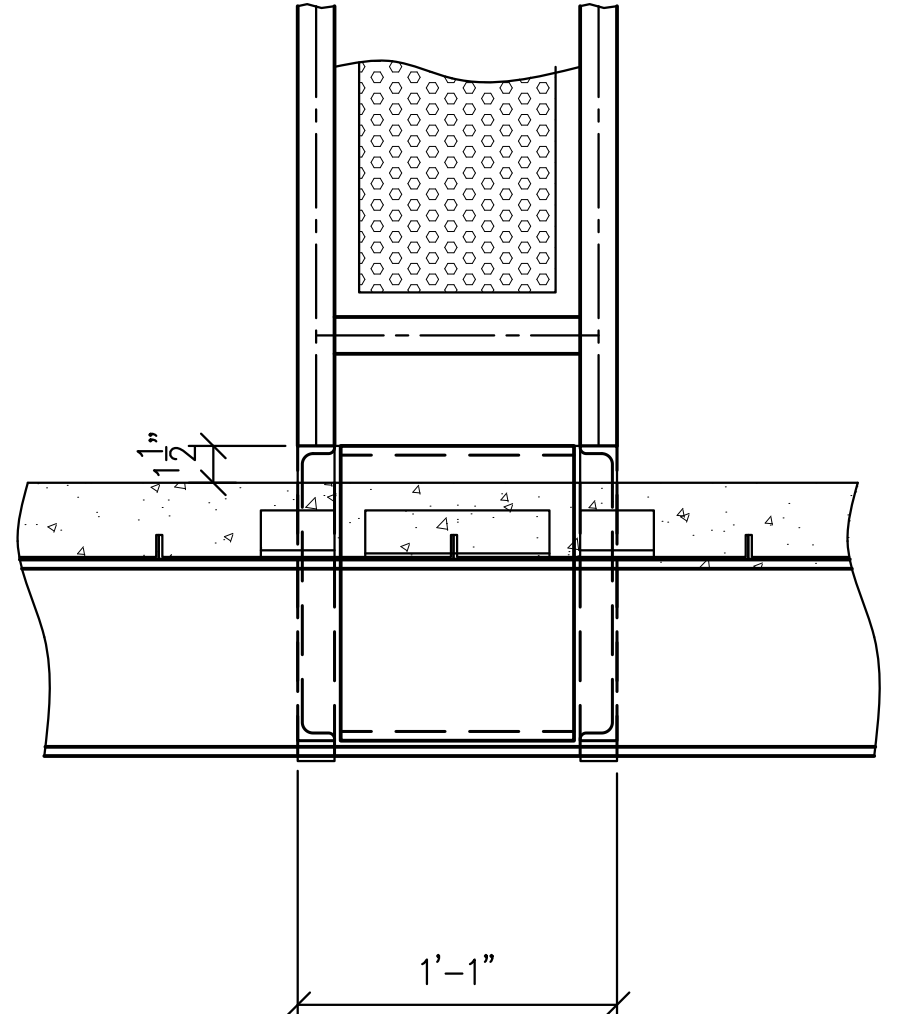
TYPICAL TREAD DETAIL
SCALE 1 1/2"=1'-0"



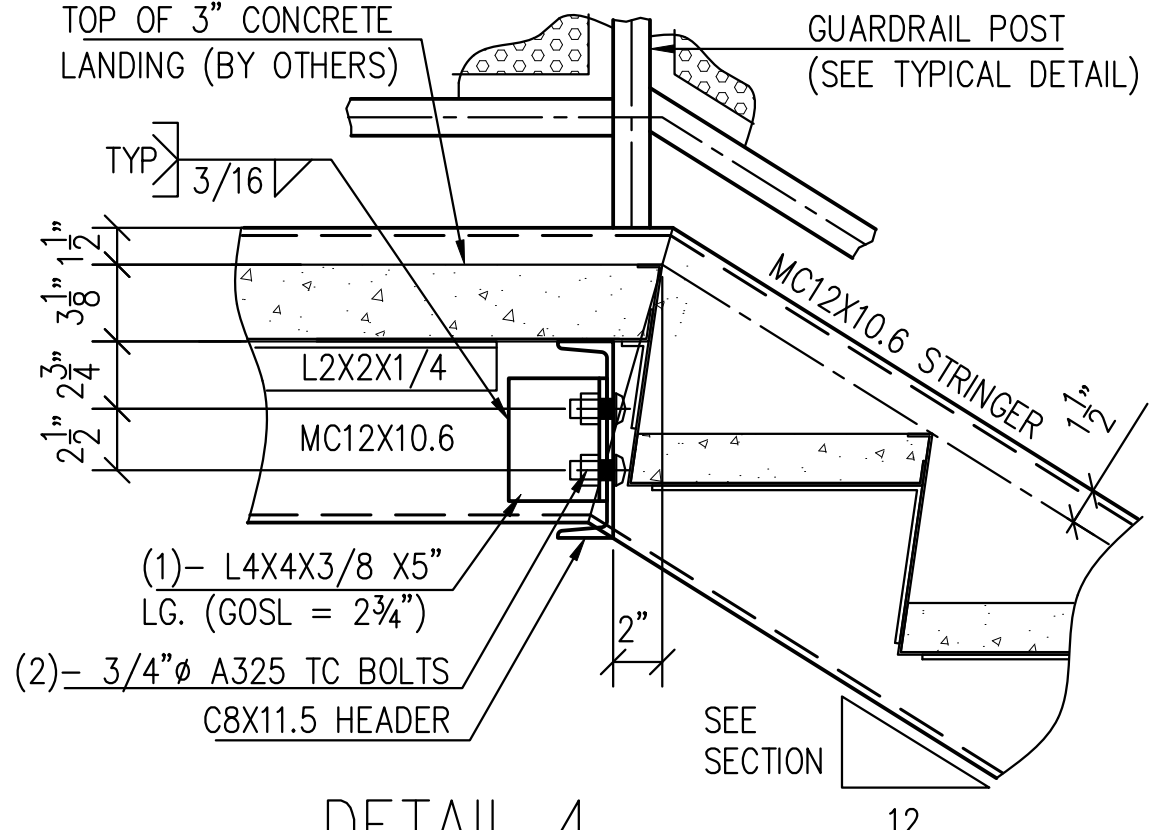
DETAIL 1
(2 LOCATIONS)
SCALE 1 1/2"=1'-0"



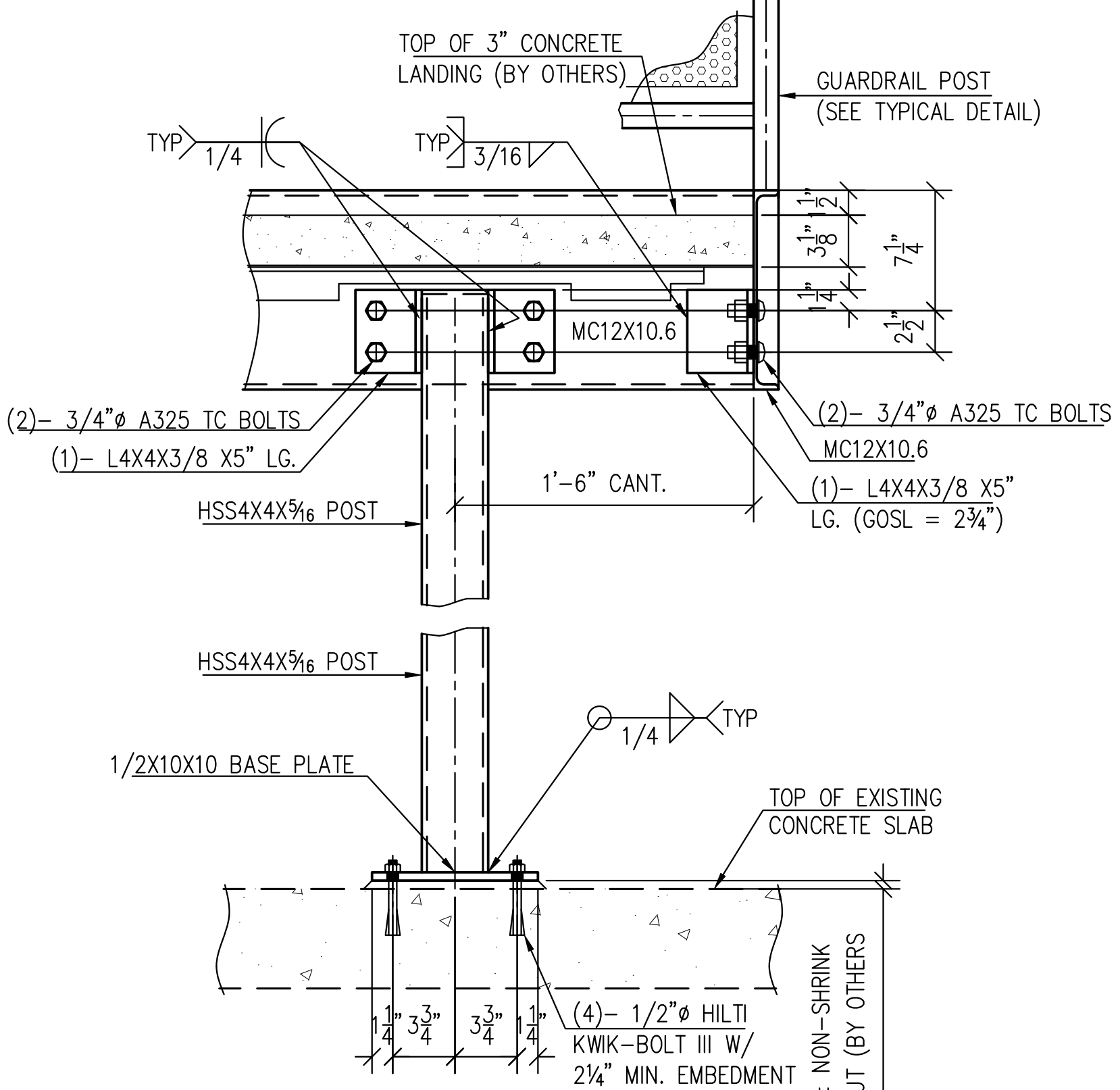
DETAIL 2
(1 LOCATION)
SCALE 1 1/2"=1'-0"



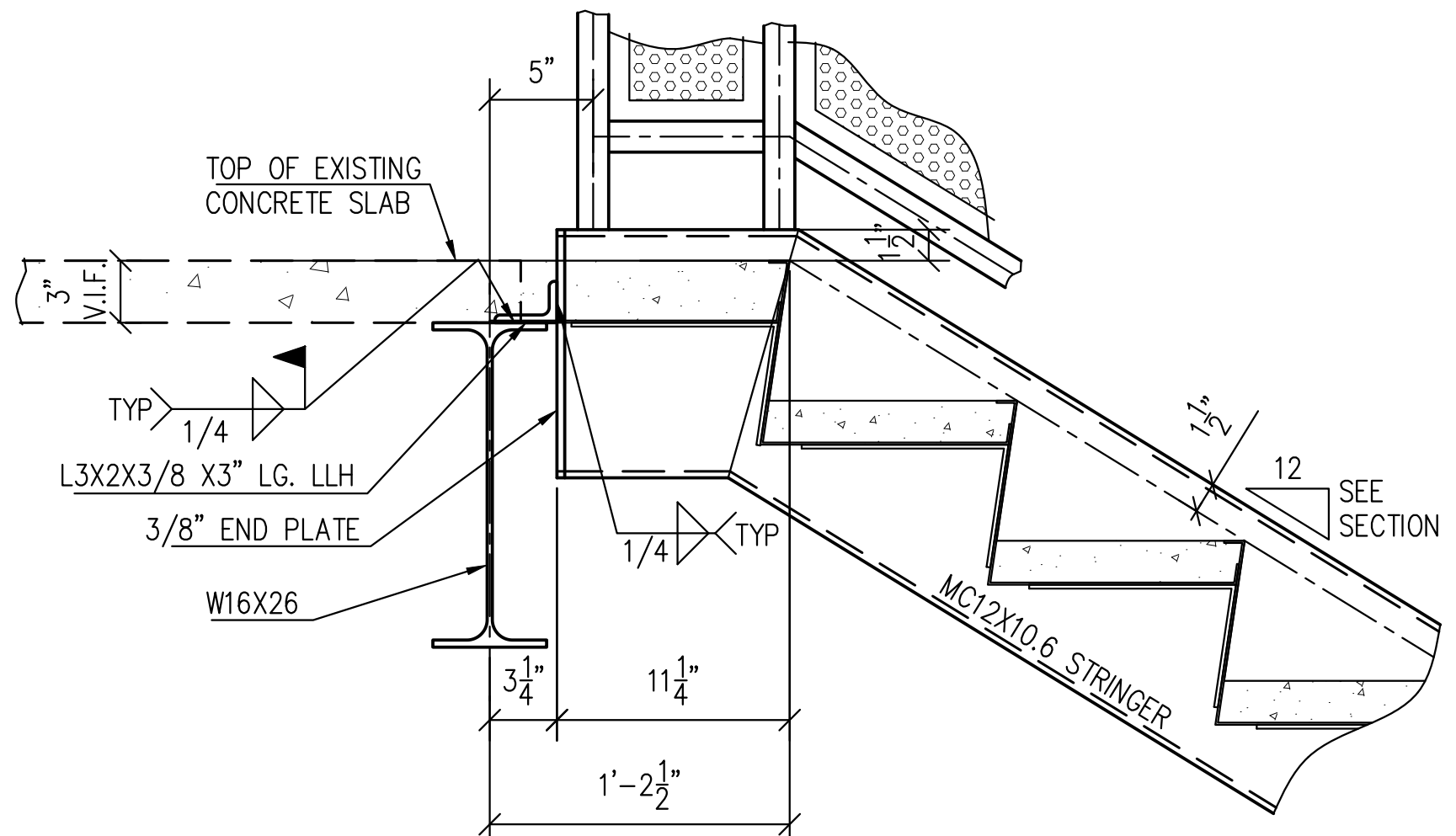
DETAIL 3
(2 LOCATIONS)
SCALE 1 1/2"=1'-0"



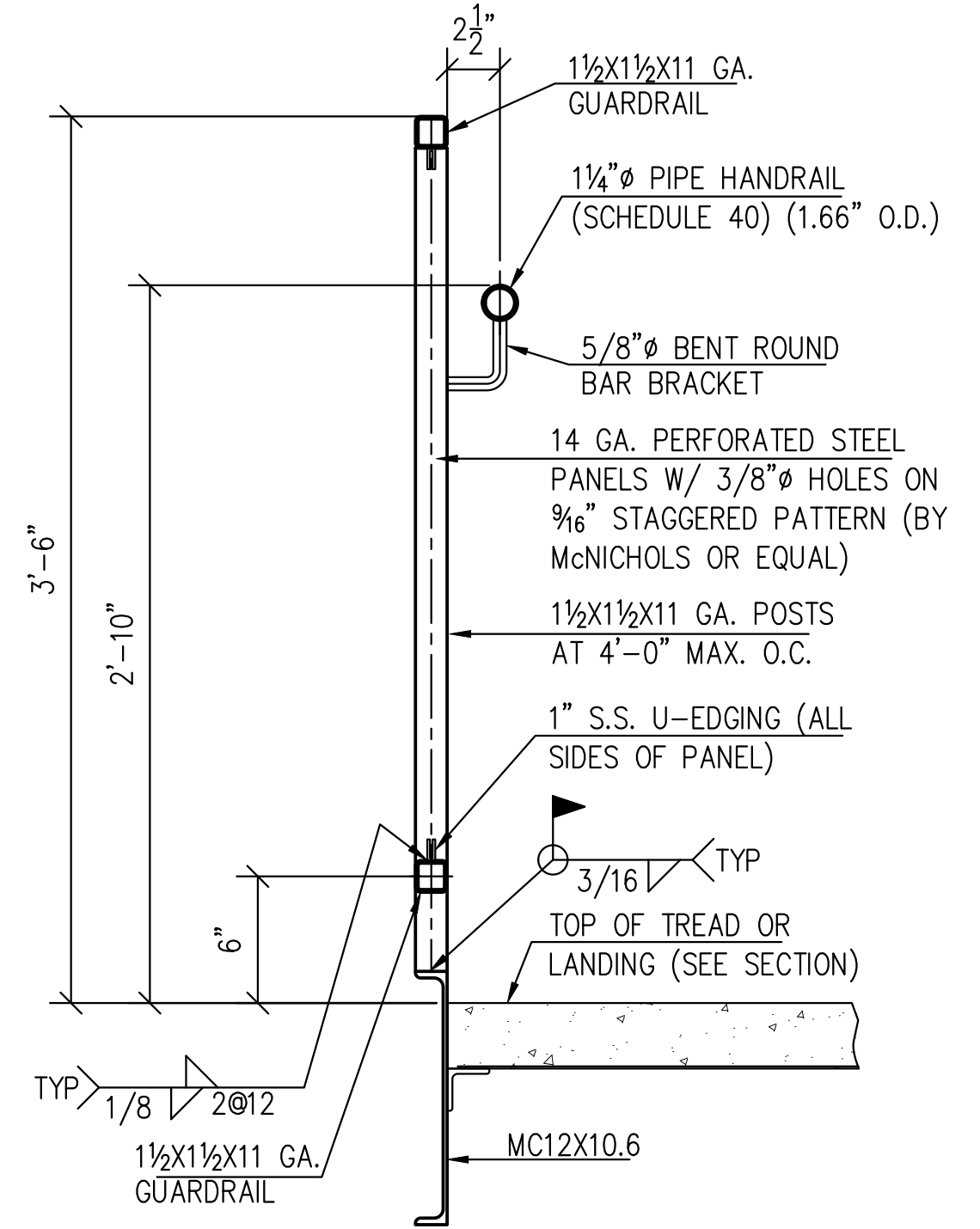
DETAIL 4
(1 LOCATION)
SCALE 1 1/2"=1'-0"



DETAIL 5
(1 LOCATION)
SCALE 1 1/2"=1'-0"



DETAIL 6
(2 LOCATIONS)
SCALE 1 1/2"=1'-0"



TYPICAL GUARDRAIL DETAIL
SCALE 1 1/2"=1'-0"

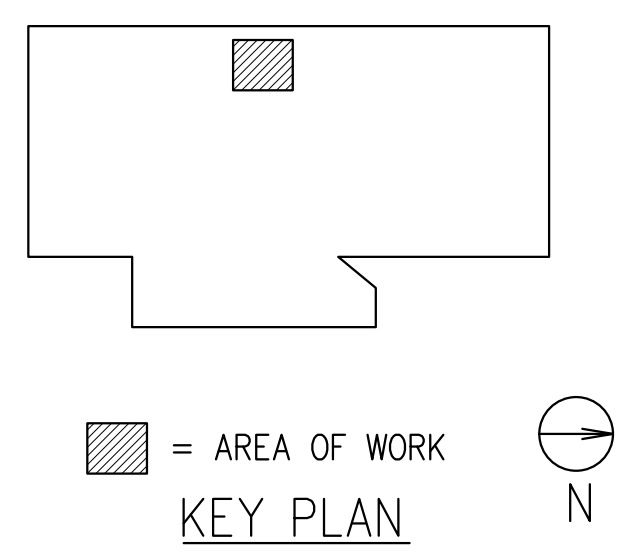
GENERAL NOTES:

- V.I.F. INDICATES DIMENSION TO BE VERIFIED IN FIELD
- F.V. INDICATES FIELD VERIFIED DIMENSION
- ALL CHANNELS, ANGLES, AND PLATES TO BE ASTM A36 U.O.N.
- ALL WIDE FLANGE SECTIONS TO BE ASTM A992 U.O.N.
- ALL HSS SECTIONS TO BE ASTM A500 GRADE C U.O.N.
- ALL PIPE TO BE ASTM A500 GRADE B U.O.N.
- ALL MECHANICAL TUBE TO BE ASTM A513 U.O.N.

REVISION	DESCRIPTION	DATE	BY
2	SHOP DRAWINGS FOR APPROVAL	12/16/2021	TS
1	SHOP DRAWINGS FOR FAB. & ERECTION	11/24/2021	TS
0	SHOP DRAWINGS FOR APPROVAL	10/28/2021	TS

WELDS: E70XX U.O.N. HOLES: 13/16" Ø U.O.N.
FINISH: ONE COAT SHOP PRIMER U.O.N.

JOB NAME: BUTTERFLY NETWORK, INC.	ITEM NUMBER: -
JOB NUMBER: -	DATE: 10/12/2021
JOB LOCATION: BURLINGTON, MA	DETAILER: TS
GENERAL CONTRACTOR: -	DRAWING NO.: ST-5

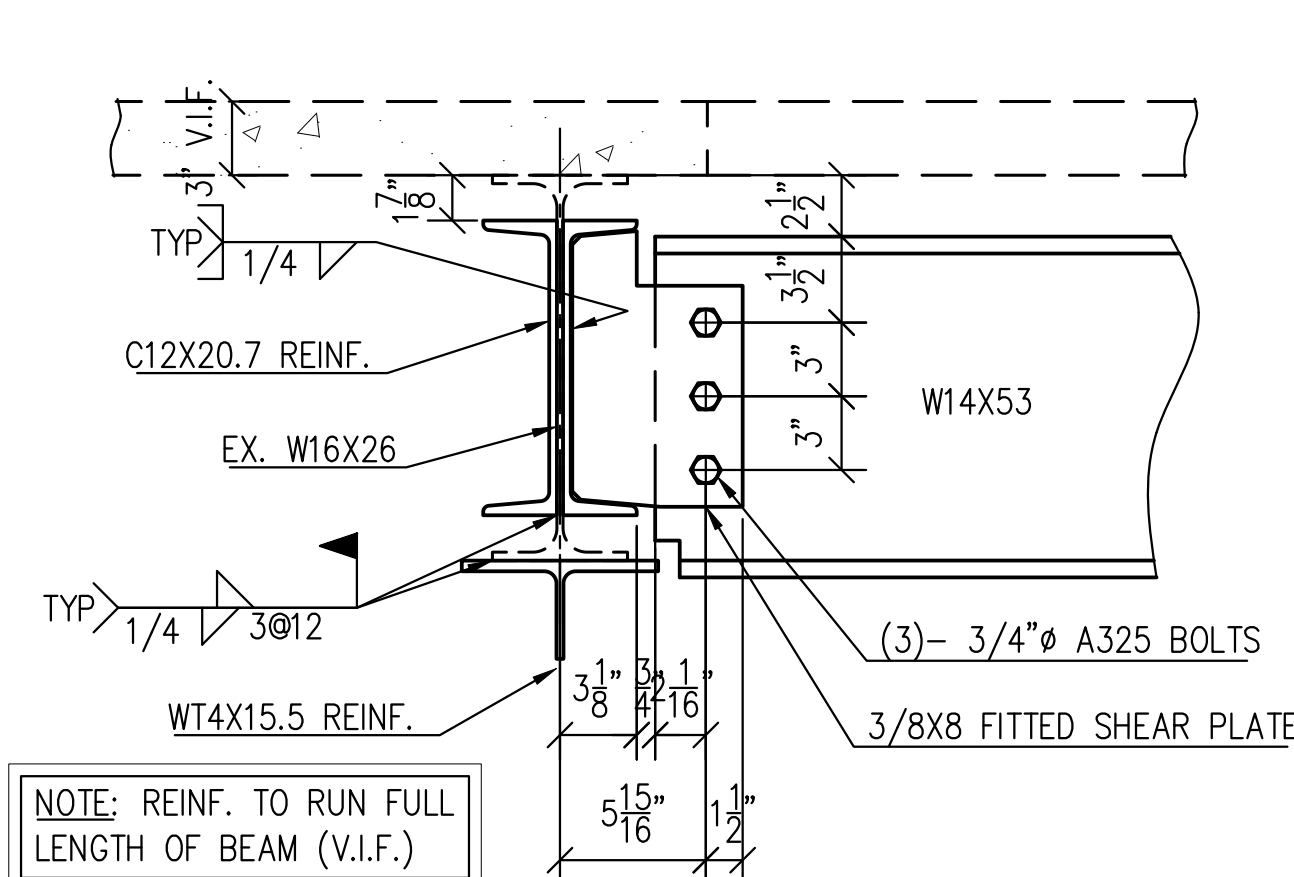


DETAIL KEY:
ST-4: DETAILS 12 & 13
ST-5: TYPICAL, DET. 1-6
ST-6: DETAILS 7-11 & 14

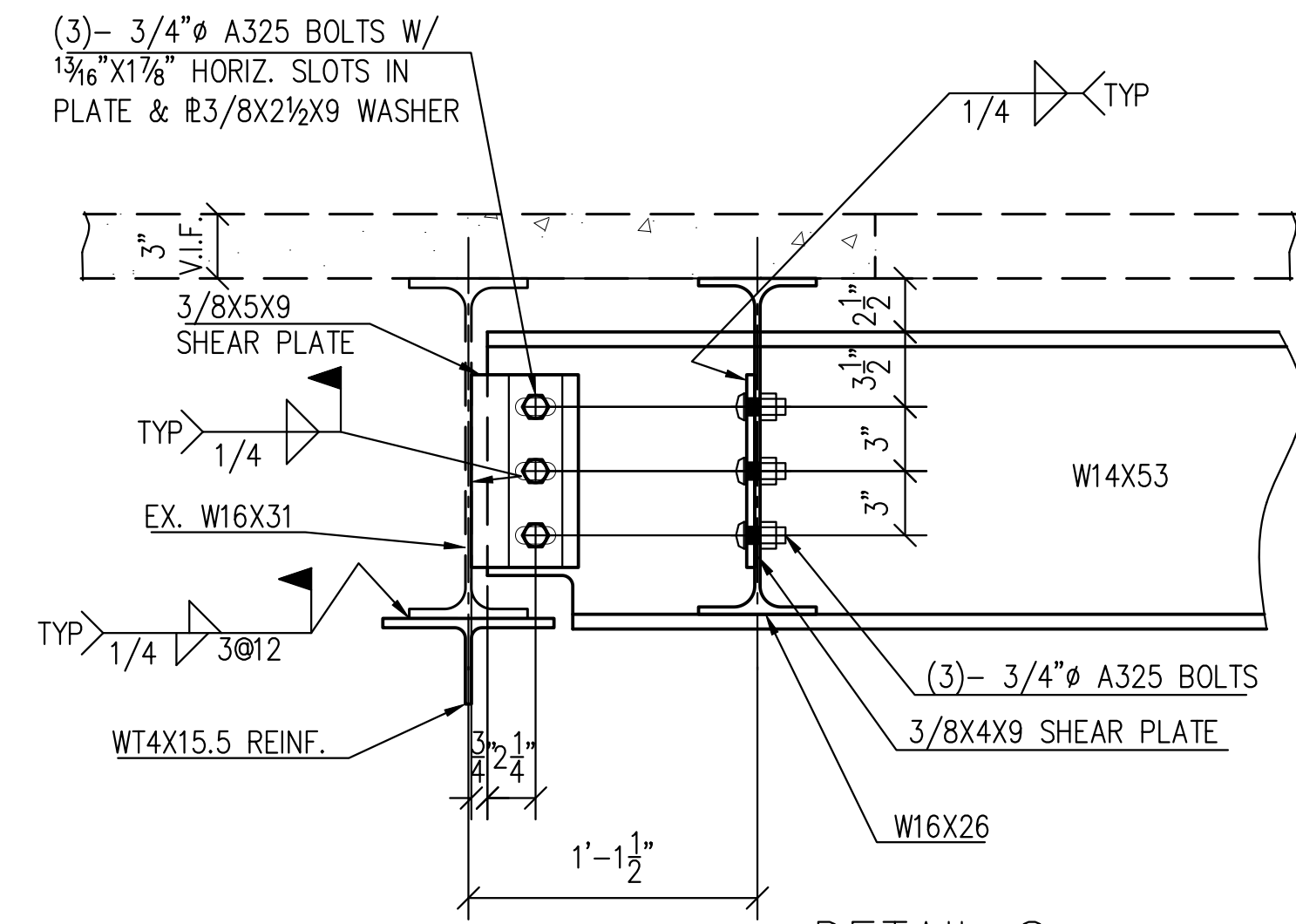
ON CENTER
STEEL DETAILING LLC
STAIRS - MECHANICAL - STRUCTURAL
OCSTEELDETAILING.COM

FOR APPROVAL:
12/16/2021

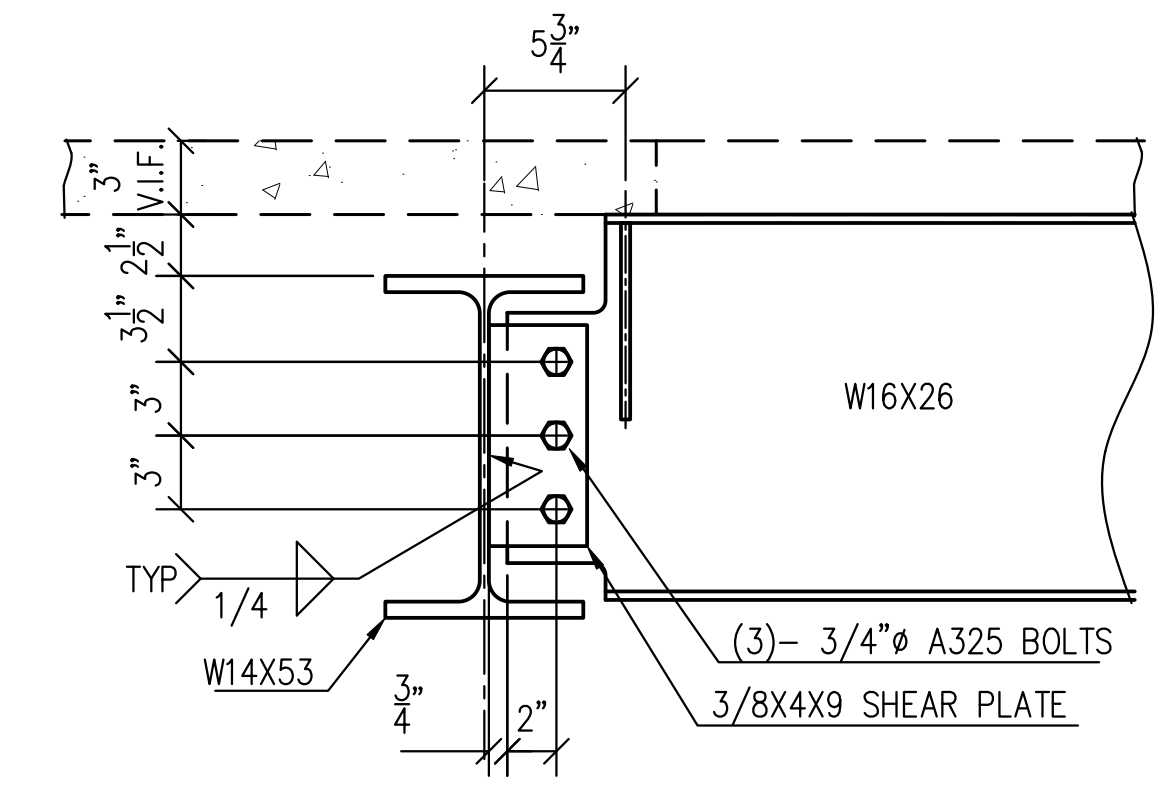
REFERENCE DESIGN DRAWINGS:
A202, A203, A603, S101, S102



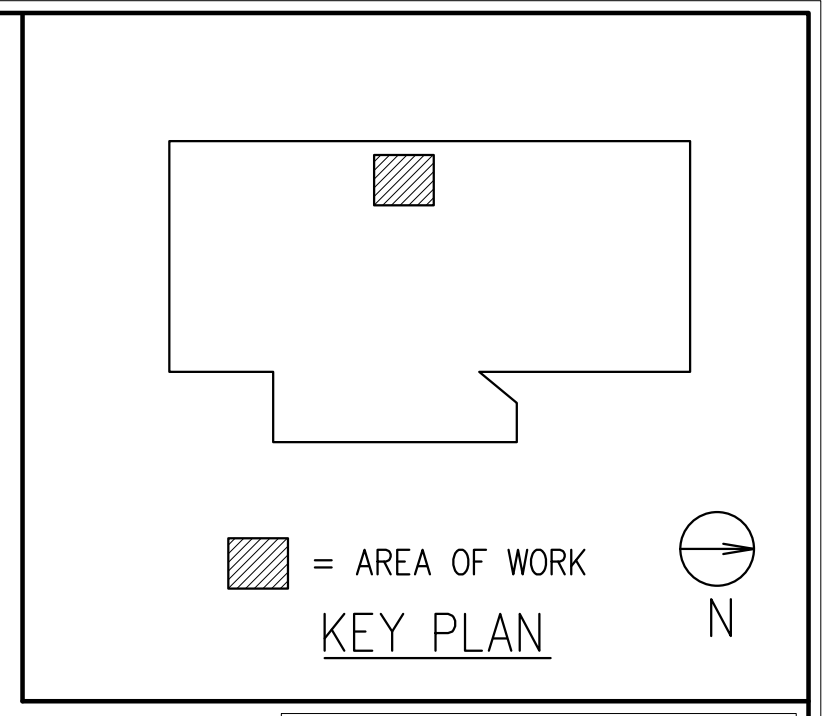
DETAIL 7
(2 LOCATIONS)
SCALE 1 1/2"=1'-0"



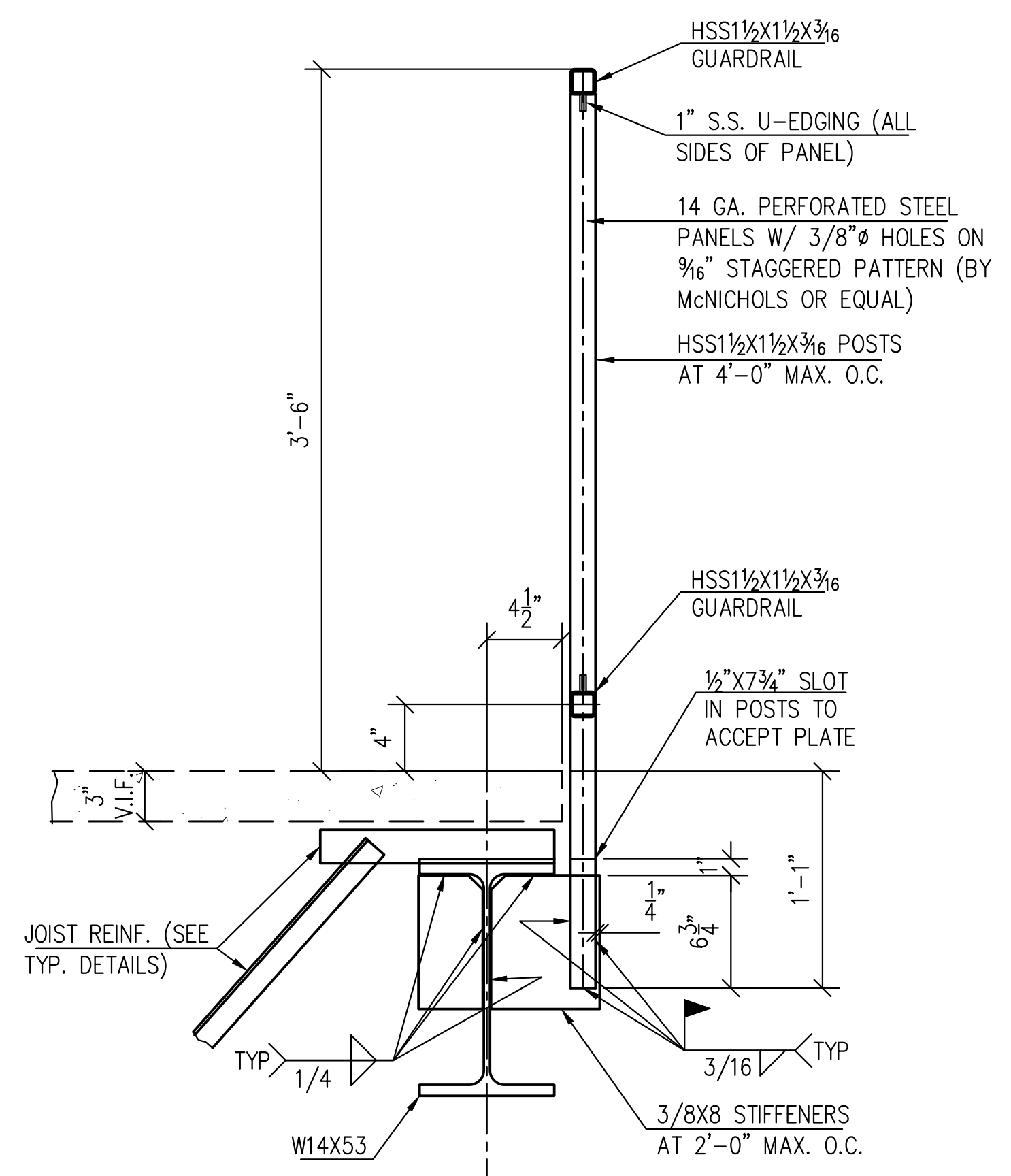
DETAIL 8
(2 LOCATIONS)
SCALE 1 1/2"=1'-0"



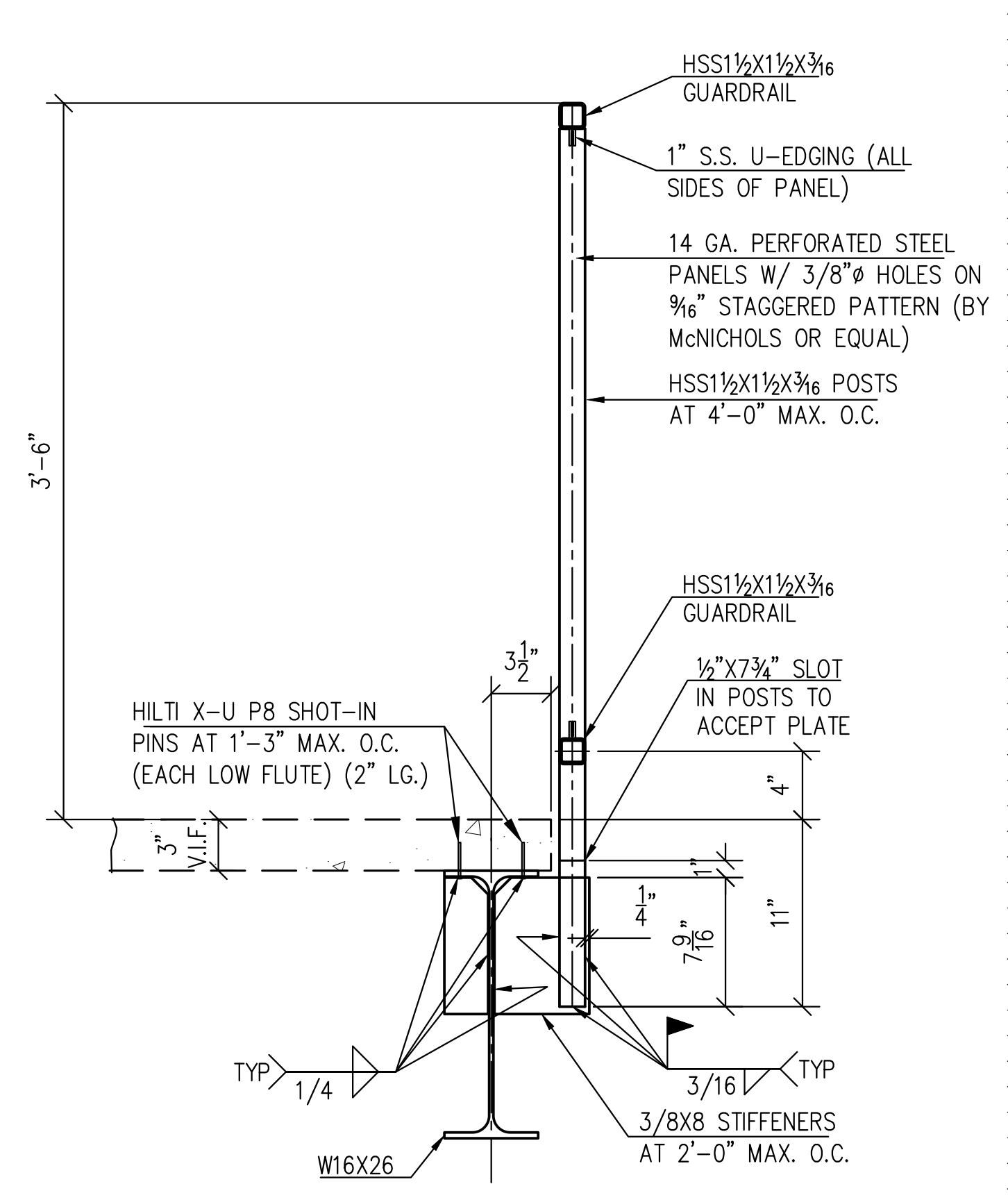
DETAIL 9
(4 LOCATIONS)
SCALE 1 1/2"=1'-0"



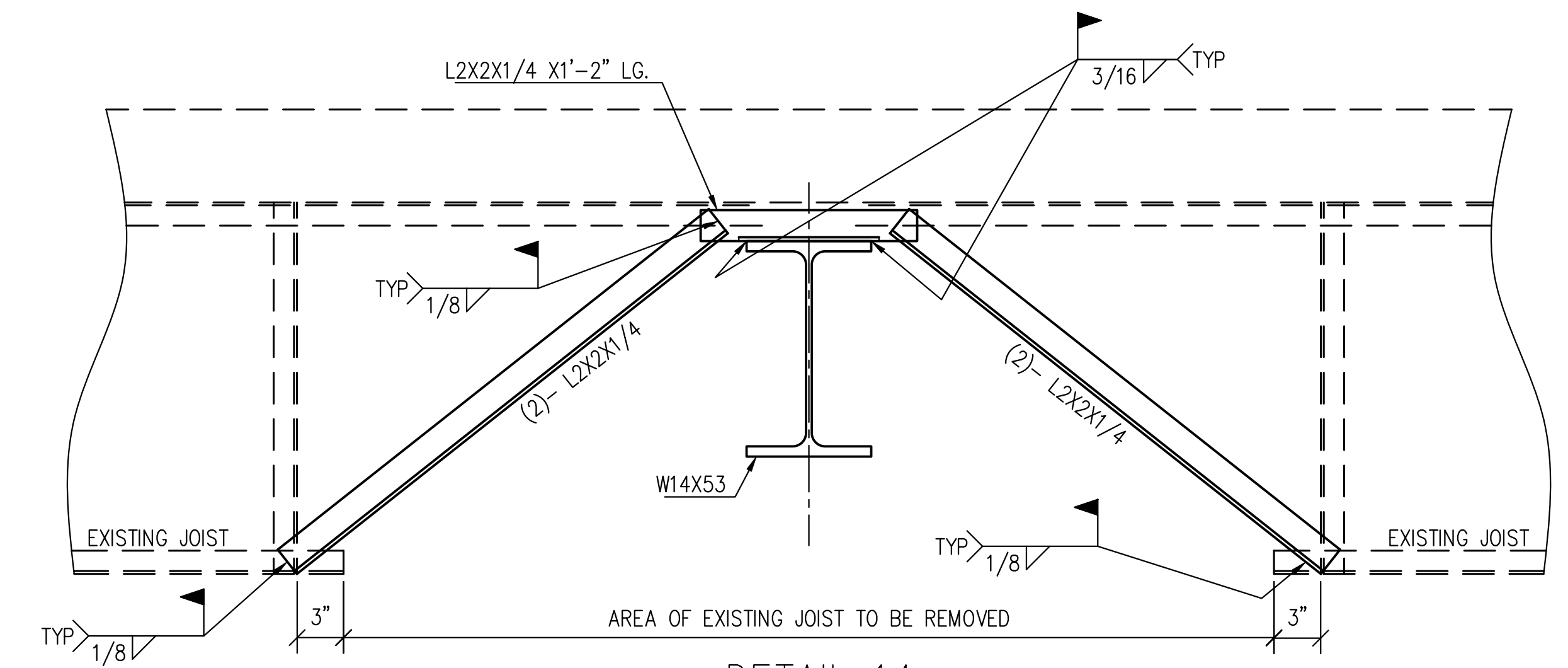
DETAIL KEY:
ST-4: DETAILS 12 & 13
ST-5: TYPICAL, DET. 1-6
ST-6: DETAILS 7-11 & 14



DETAIL 10
SCALE 1 1/2"=1'-0"



DETAIL 11
SCALE 1 1/2"=1'-0"



DETAIL 14
TYPICAL JOIST RE-ATTACHMENT AT LEVEL 3
SCALE 1 1/2"=1'-0"

GENERAL NOTES:

1. V.I.F. INDICATES DIMENSION TO BE VERIFIED IN FIELD
2. F.V. INDICATES FIELD VERIFIED DIMENSION
3. ALL CHANNELS, ANGLES, AND PLATES TO BE ASTM A36 U.O.N.
4. ALL WIDE FLANGE SECTIONS TO BE ASTM A992 U.O.N.
5. ALL HSS SECTIONS TO BE ASTM A500 GRADE C U.O.N.
6. ALL PIPE TO BE ASTM A500 GRADE B U.O.N.
7. ALL MECHANICAL TUBE TO BE ASTM A513 U.O.N.

REVISION	DESCRIPTION	DATE	BY
2	SHOP DRAWINGS FOR APPROVAL	12/16/2021	TS
1	SHOP DRAWINGS FOR FAB. & ERECTION	11/24/2021	TS
0	SHOP DRAWINGS FOR APPROVAL	10/28/2021	TS

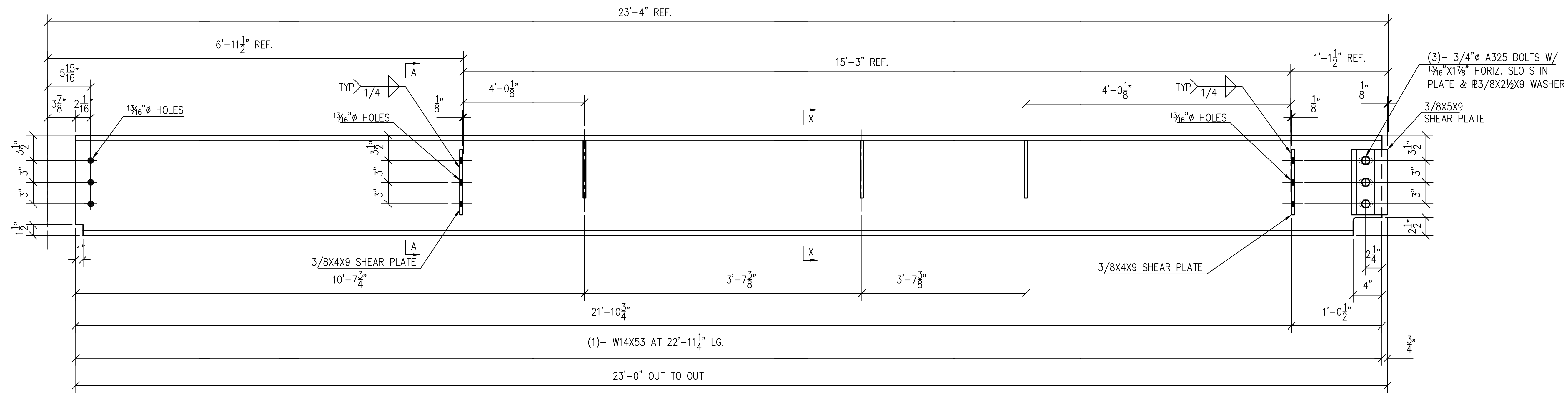
WELDS: E70XX U.O.N. HOLES: 13/16" Ø U.O.N.
FINISH: ONE COAT SHOP PRIMER U.O.N.



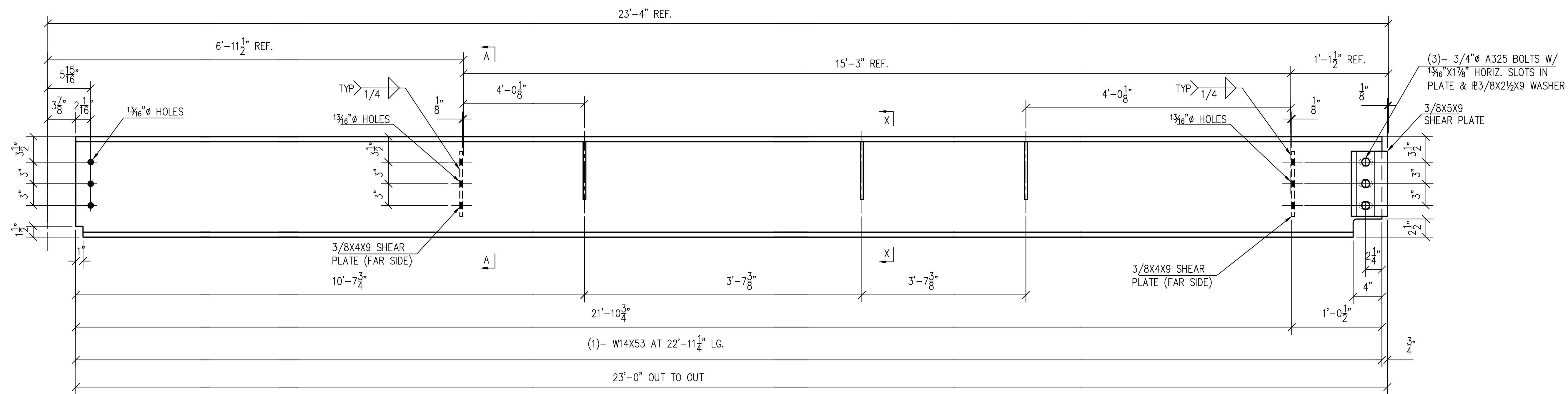
FOR APPROVAL:
12/16/2021

REFERENCE DESIGN DRAWINGS:
A202, A203, A603, S101, S102

JOB NAME: BUTTERFLY NETWORK, INC.	ITEM NUMBER: -
JOB NUMBER: -	DATE: 10/12/2021
JOB LOCATION: BURLINGTON, MA	DETAILER: TS
GENERAL CONTRACTOR: -	ITEM DESCRIPTION: STAIR
	DRAWING NO.: ST-6

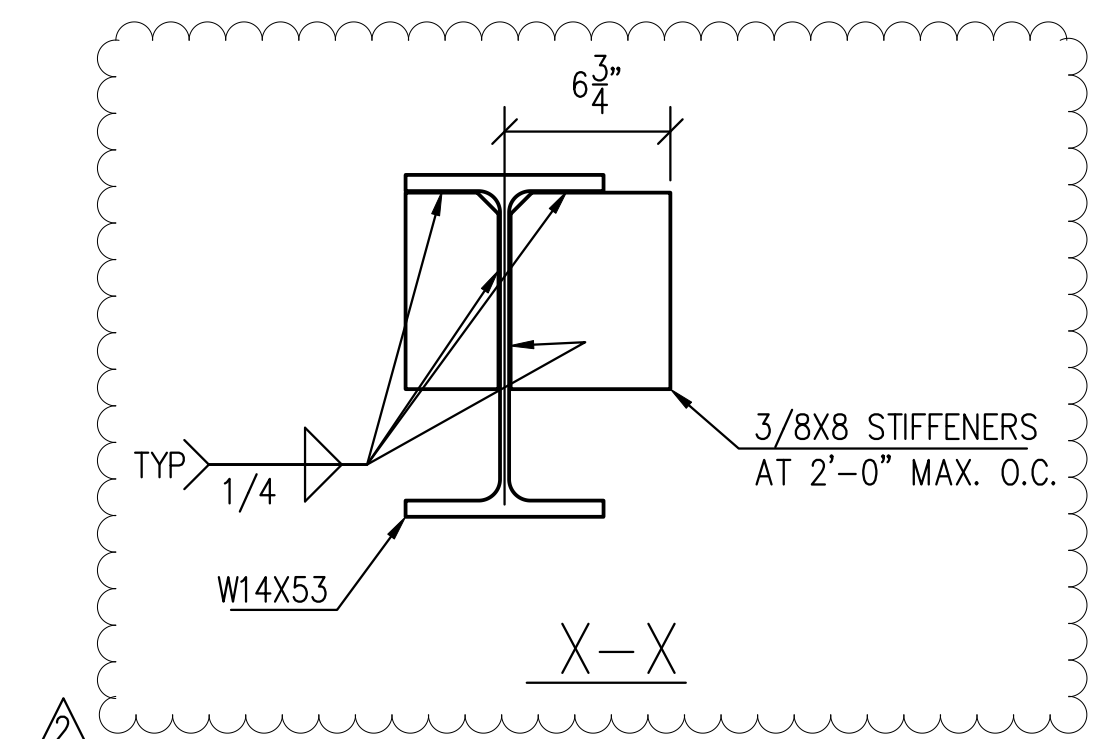


STAB1
(1 REQ.)



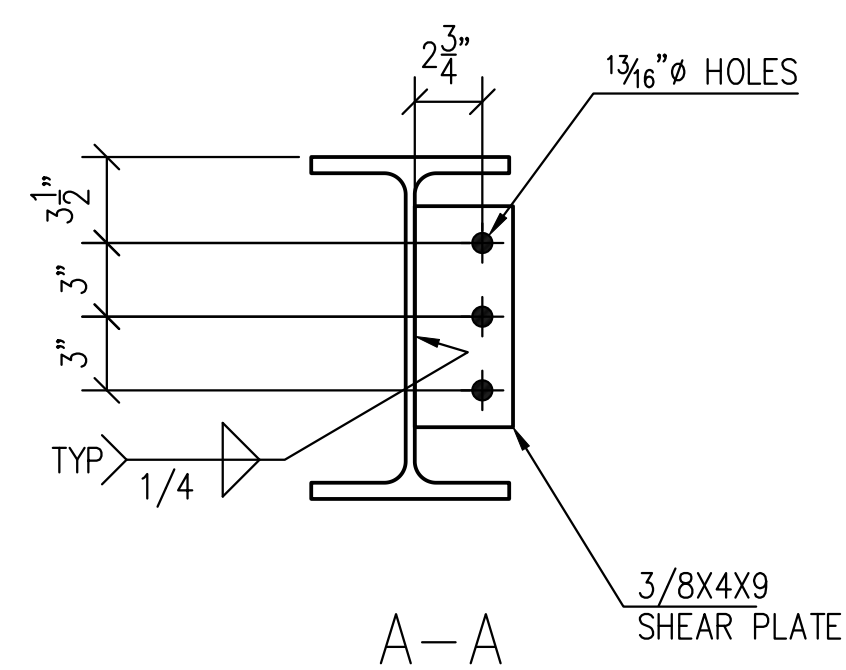
STAB2
(1 REQ.)

BILL OF MATERIALS				
REQ.	PC. MARK	SHAPE	LENGTH	REMARKS
1	STAB1	W14X53	22' 11 1/4"	-
3	pa1	3/8X3 1/2	0' 8"	-
3	pb1	3/8X6 1/2	0' 8"	-
1	pc1	3/8X5	0' 9"	-
1	pd1	3/8X2 1/2	0' 9"	-
3	SHOP BOLT	3/4" A325 BOLTS	0' 2 1/4"	-
1	STBB1	W14X53	22' 11 1/4"	-
3	pa1	3/8X3 1/2	0' 8"	-
3	pb1	3/8X6 1/2	0' 8"	-
1	pc1	3/8X5	0' 9"	-
1	pd1	3/8X2 1/2	0' 9"	-
3	SHOP BOLT	3/4" A325 BOLTS	0' 2 1/4"	-



GENERAL NOTES:

1. V.I.F. INDICATES DIMENSION TO BE VERIFIED IN FIELD
2. F.V. INDICATES FIELD VERIFIED DIMENSION
3. ALL CHANNELS, ANGLES, AND PLATES TO BE ASTM A36 U.O.N.
4. ALL WIDE FLANGE SECTIONS TO BE ASTM A992 U.O.N.
5. ALL HSS SECTIONS TO BE ASTM A500 GRADE C U.O.N.
6. ALL PIPE TO BE ASTM A500 GRADE B U.O.N.
7. ALL MECHANICAL TUBE TO BE ASTM A513 U.O.N.



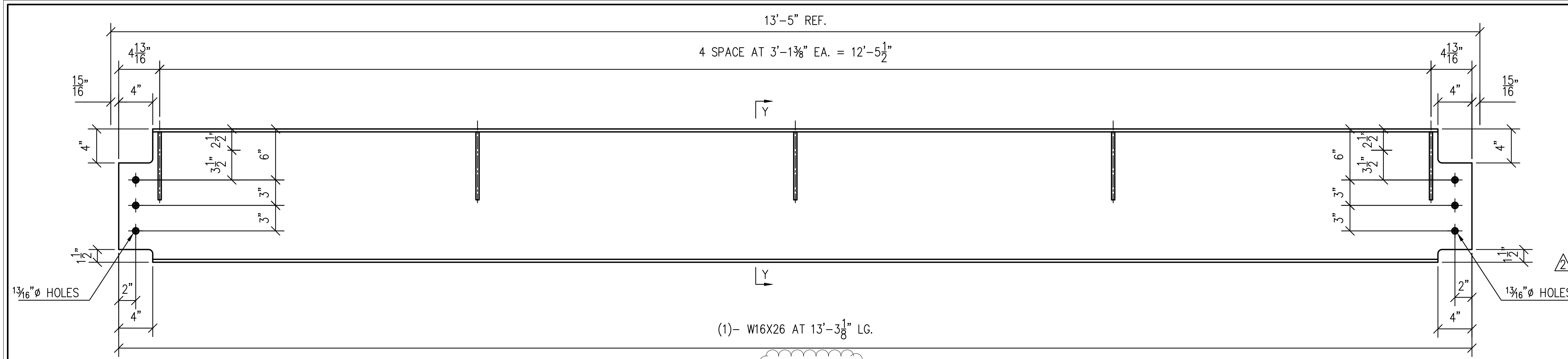
FOR APPROVAL:
12/16/2021

REFERENCE DESIGN DRAWINGS:
A202, A203, A603, S101, S102

REVISION	DESCRIPTION	DATE	BY
2	SHOP DRAWINGS FOR APPROVAL	12/16/2021	TS
1	SHOP DRAWINGS FOR FAB. & ERECTION	11/24/2021	TS
0	SHOP DRAWINGS FOR APPROVAL	10/28/2021	TS

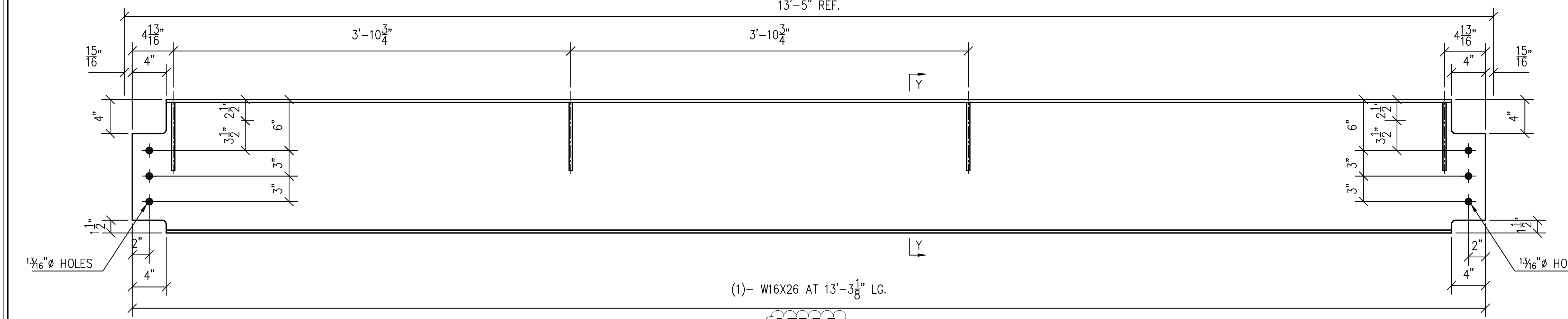
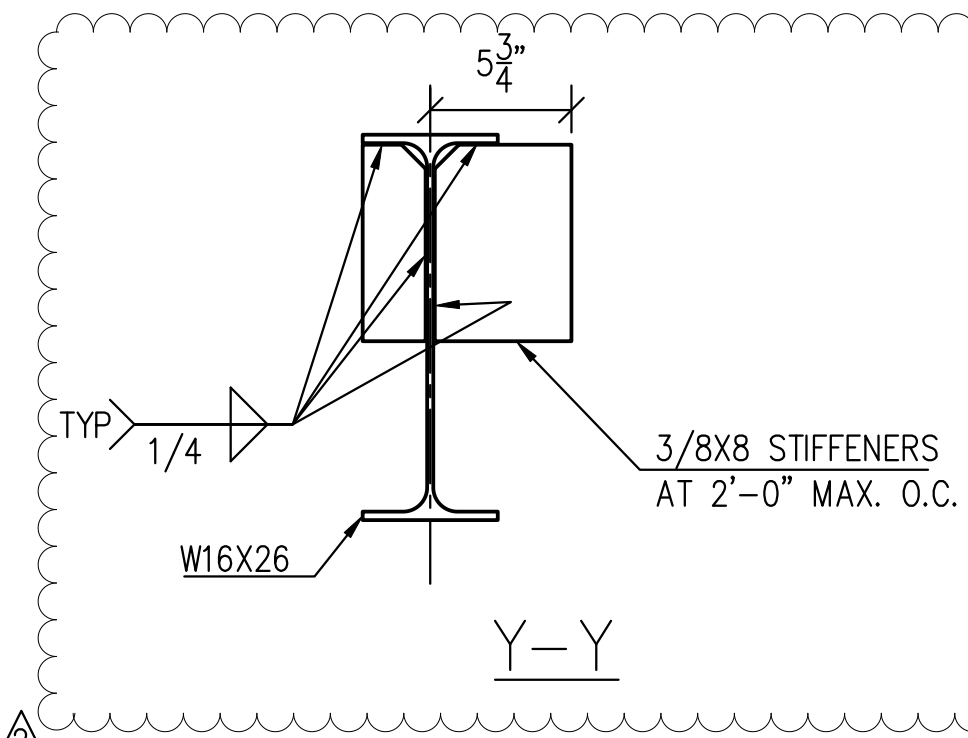
WELDS: E70XX U.O.N. HOLES: 13/16" U.O.N.
FINISH: ONE COAT SHOP PRIMER U.O.N.

JOB NAME: BUTTERFLY NETWORK, INC.	ITEM NUMBER: -
JOB NUMBER: -	DATE: 10/12/2021
JOB LOCATION: BURLINGTON, MA	DETAILER: TS
GENERAL CONTRACTOR: -	ITEM DESCRIPTION: STAIR
	DRAWING NO.: STA



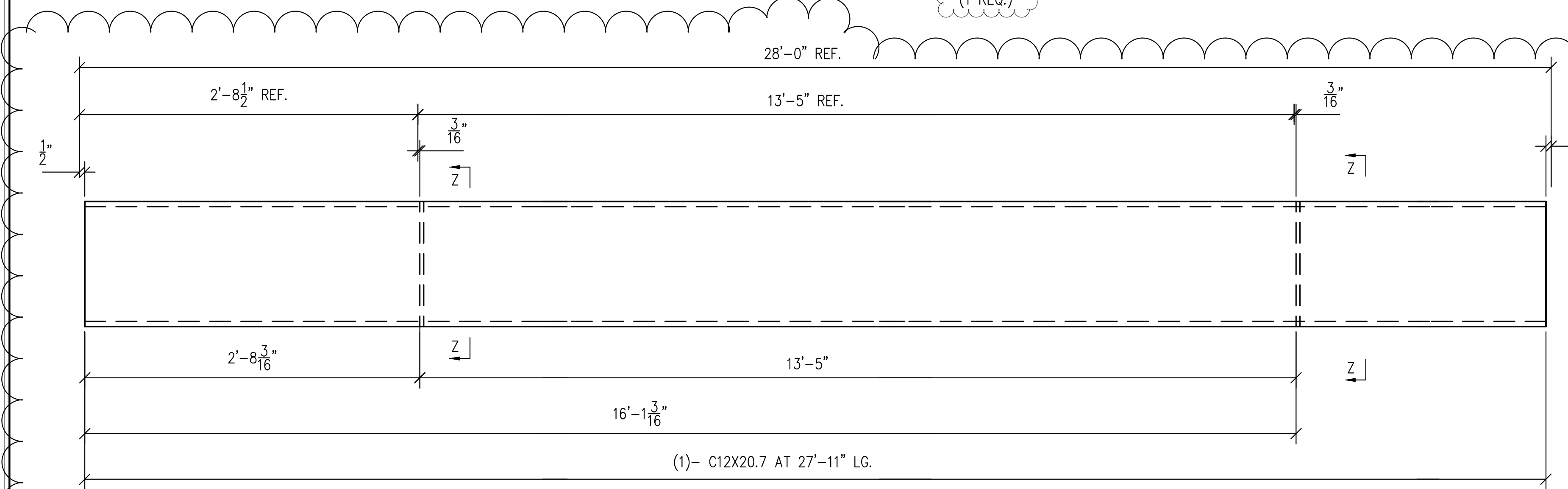
(1)- W16X26 AT 13'-3 1/8" LG.

STBB1
(1 REQ.)



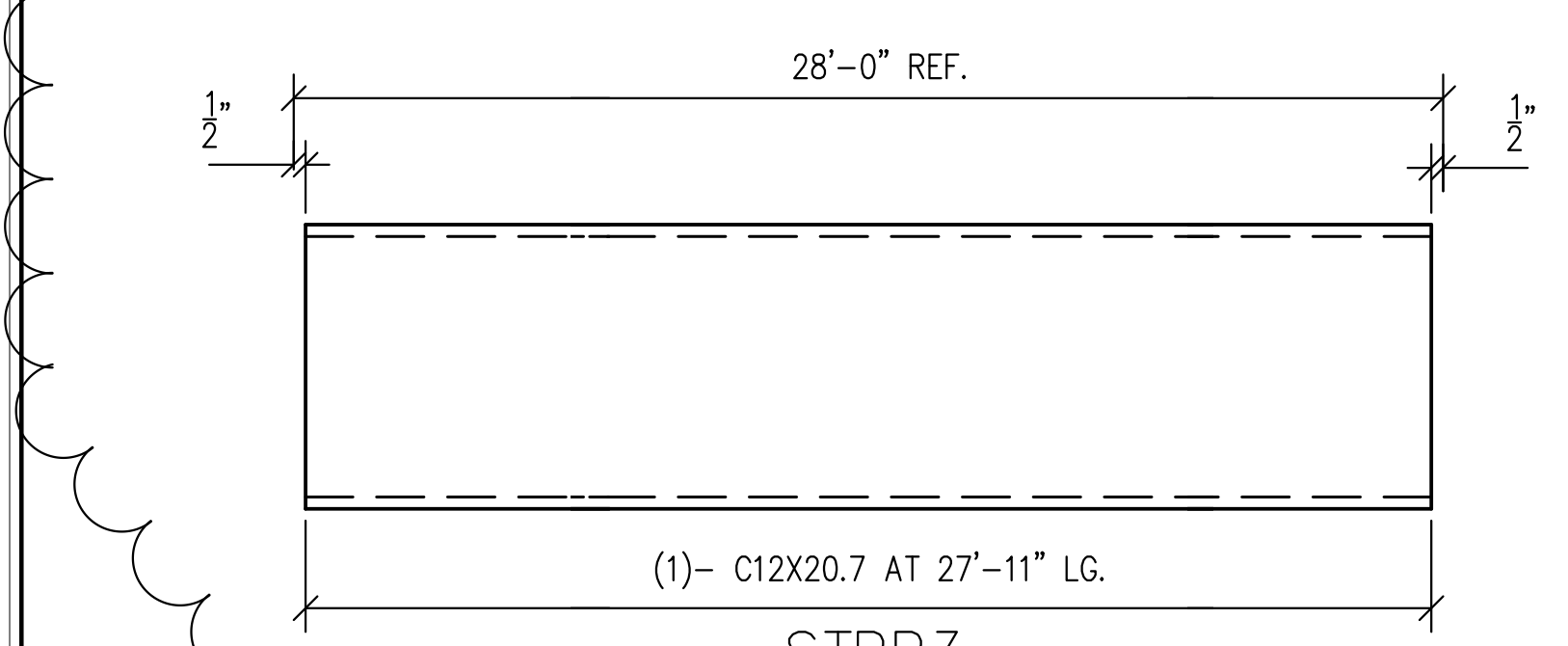
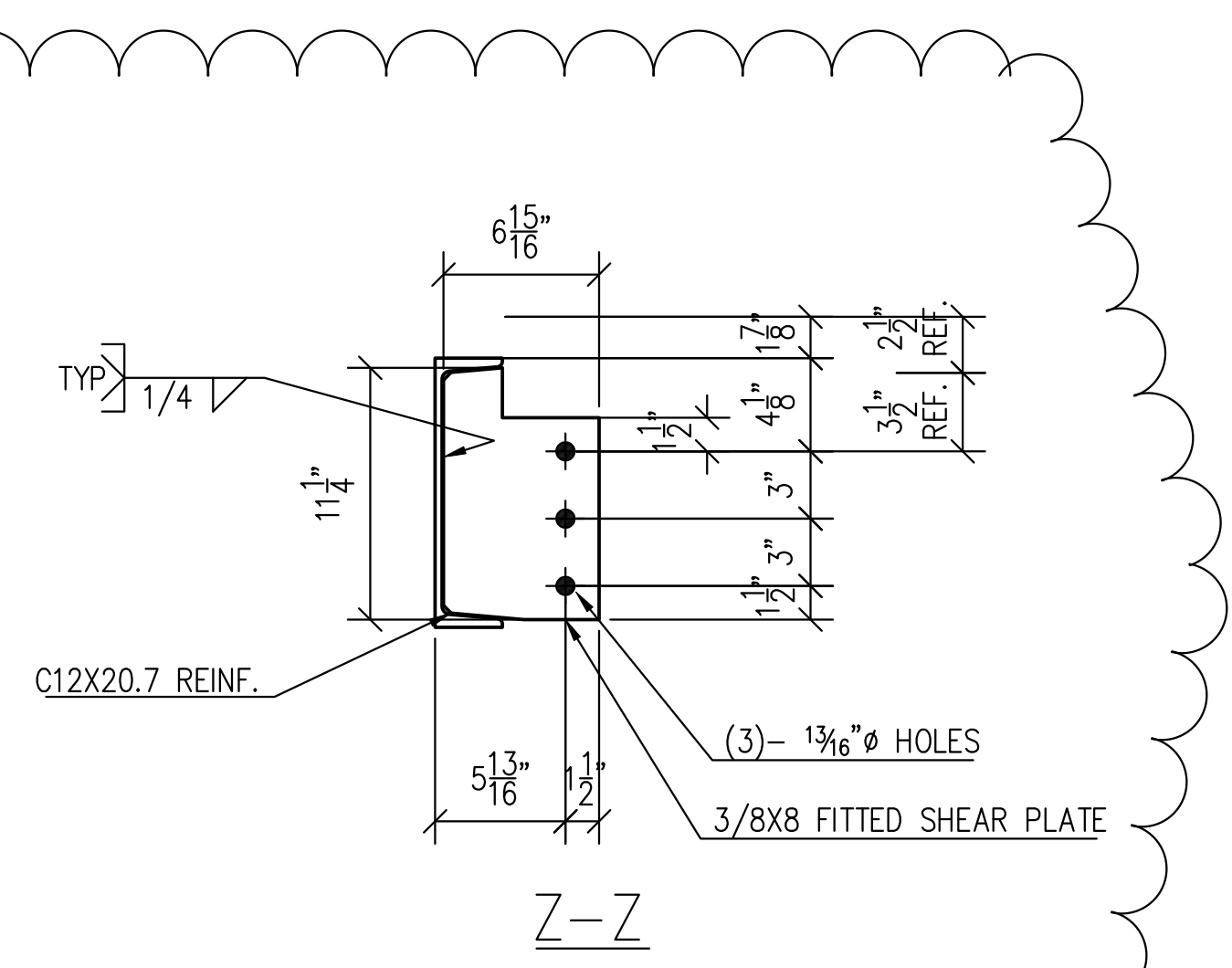
(1)- W16X26 AT 13'-3 1/8" LG.

STBB5
(1 REQ.)



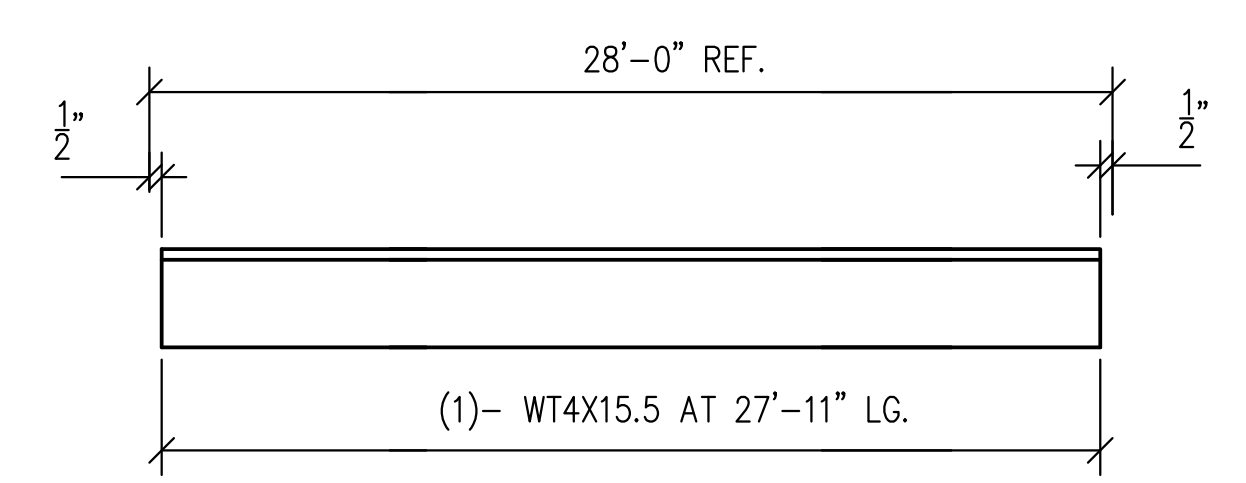
(1)- C12X20.7 AT 27'-11" LG.

STBB2
(1 REQ.)



(1)- C12X20.7 AT 27'-11" LG.

STBB3
(1 REQ.)



(1)- WT4X15.5 AT 27'-11" LG.

STBB4
(1 REQ.)

NOTE: END CONNECTIONS AT EXISTING BEAMS MUST BE FIELD VERIFIED PRIOR TO FABRICATION OF THESE REINFORCEMENT PIECES (REF. ST-2 & ST-6).

ON CENTER
STEEL DETAILING LLC
STAIRS - MISCELLANEOUS - STRUCTURAL
OCSTEELDETAILING.COM

FOR APPROVAL:
12/16/2021

REFERENCE DESIGN DRAWINGS:
A202, A203, A603, S101, S102

BILL OF MATERIALS				
REQ.	PC. MARK	SHAPE	LENGTH	REMARKS
1	STBB1	W16X26	13' 3 1/8"	-
5	pa2	3/8X2 1/16	0' 8"	-
5	pb2	3/8X5 1/16	0' 8"	-
1	STBB2	C12X20.7	27' 11"	-
2	pc2	3/8X6 1/16	0' 11 1/4"	-
1	STBB3	C12X20.7	27' 11"	-
1	STBB4	WT4X15.5	27' 11"	-
1	STBB5	W16X26	13' 3 1/8"	-
4	pa2	3/8X2 1/16	0' 8"	-
4	pb2	3/8X5 1/16	0' 8"	-

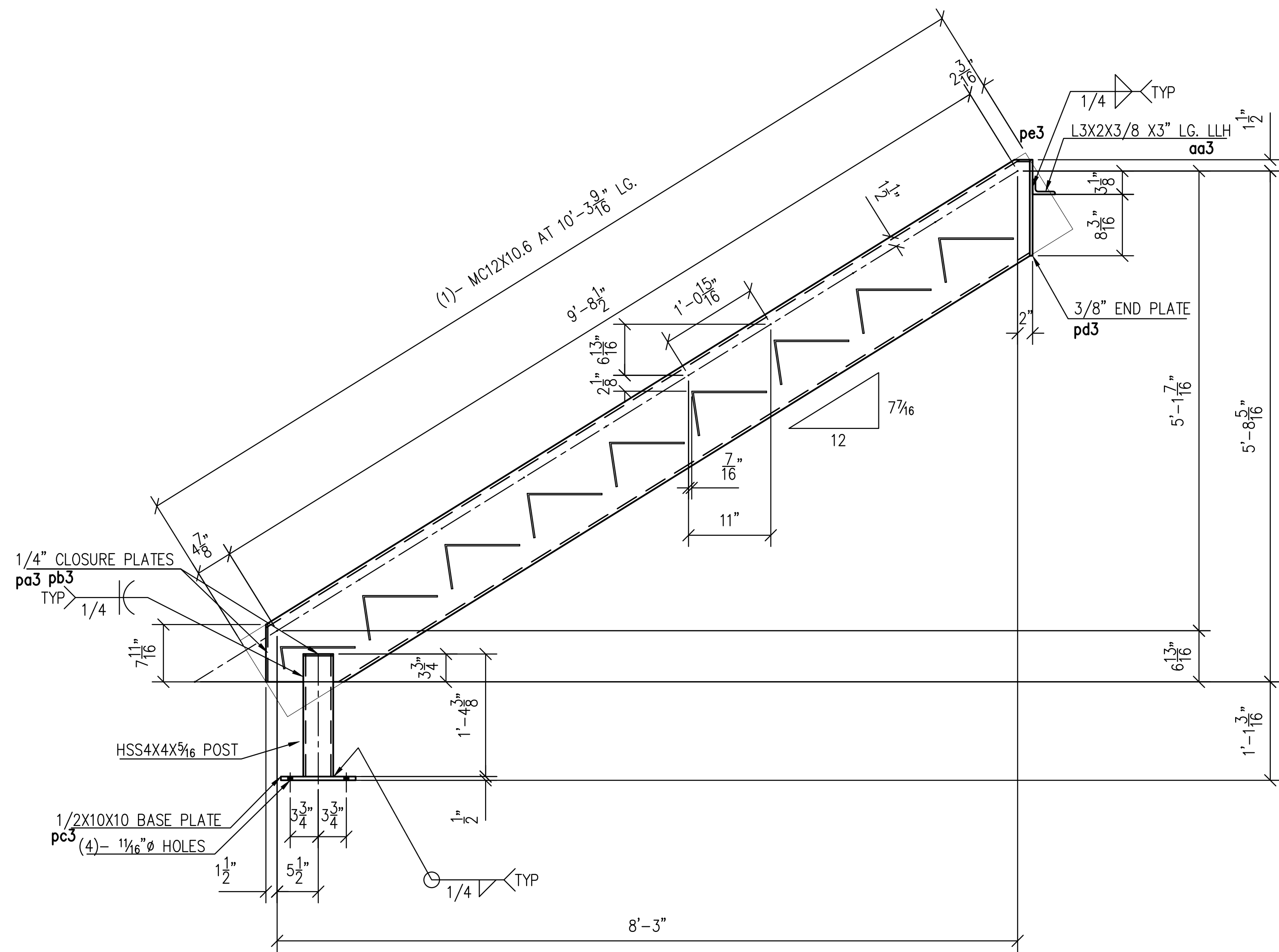
GENERAL NOTES:

- V.I.F. INDICATES DIMENSION TO BE VERIFIED IN FIELD
- F.V. INDICATES FIELD VERIFIED DIMENSION
- ALL CHANNELS, ANGLES, AND PLATES TO BE ASTM A36 U.O.N.
- ALL WIDE FLANGE SECTIONS TO BE ASTM A992 U.O.N.
- ALL HSS SECTIONS TO BE ASTM A500 GRADE C U.O.N.
- ALL PIPE TO BE ASTM A500 GRADE B U.O.N.
- ALL MECHANICAL TUBE TO BE ASTM A513 U.O.N.

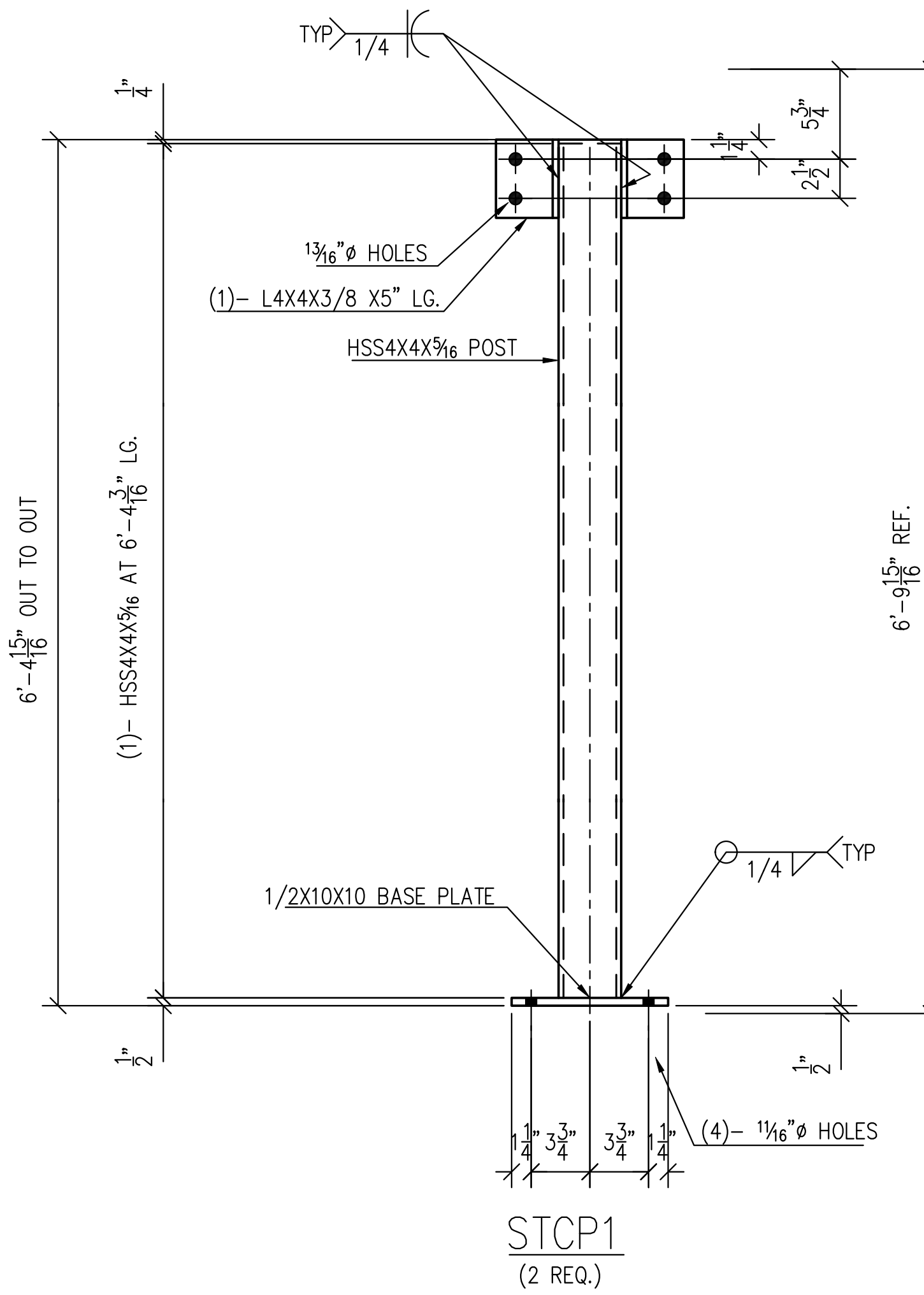
REVISION	DESCRIPTION	DATE	BY
2	SHOP DRAWINGS FOR APPROVAL	12/16/2021	TS
1	SHOP DRAWINGS FOR FAB. & ERECTION	11/24/2021	TS
0	SHOP DRAWINGS FOR APPROVAL	10/28/2021	TS

WELDS: E70XX U.O.N. HOLES: 1 3/16" Ø U.O.N.
FINISH: ONE COAT SHOP PRIMER U.O.N.

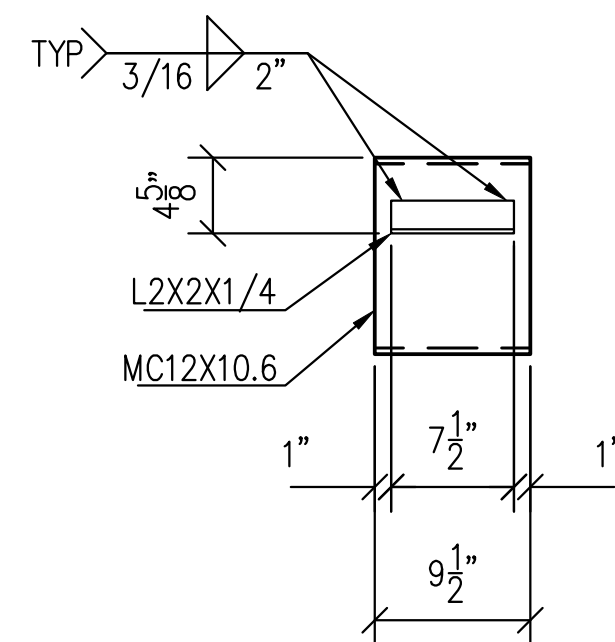
JOB NAME: BUTTERFLY NETWORK, INC.	ITEM NUMBER: -
JOB NUMBER: -	
JOB LOCATION: BURLINGTON, MA	DATE: 10/12/2021
GENERAL CONTRACTOR: -	DETAILER: TS
ITEM DESCRIPTION: STAIR	DRAWING NO.: STB



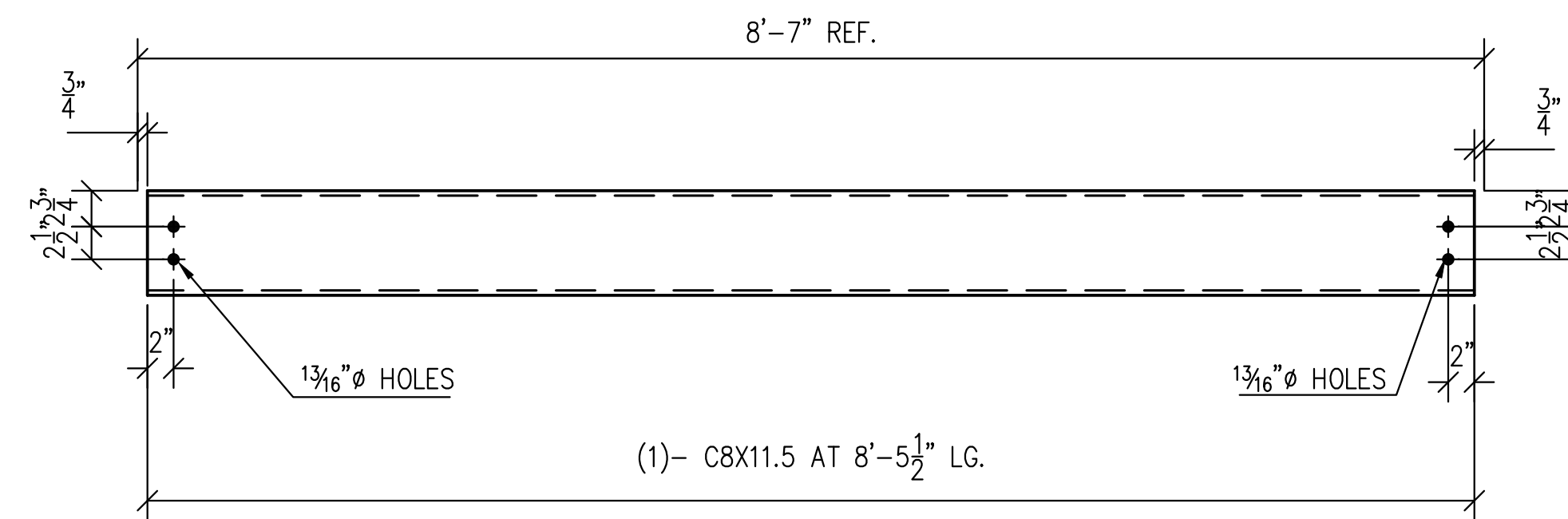
STCB1
(1 REQ.)



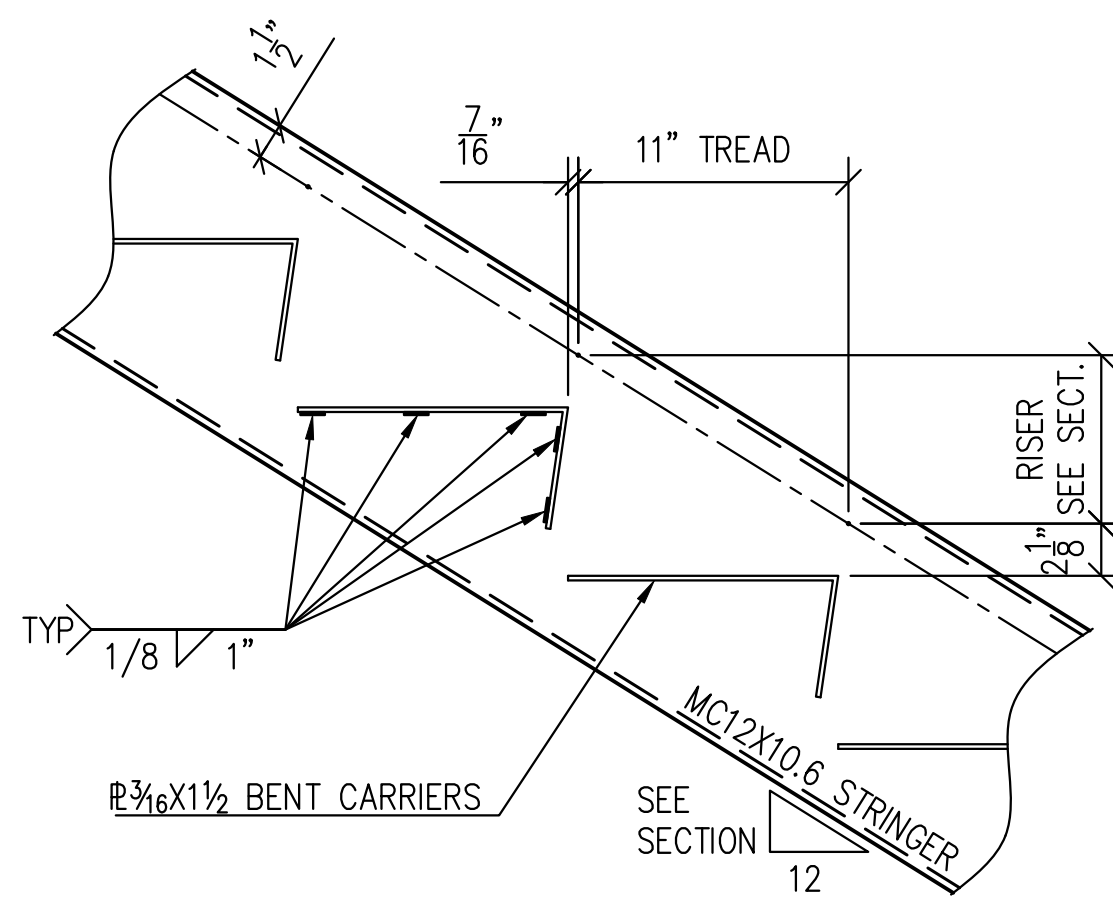
STCP1
(2 REQ.)



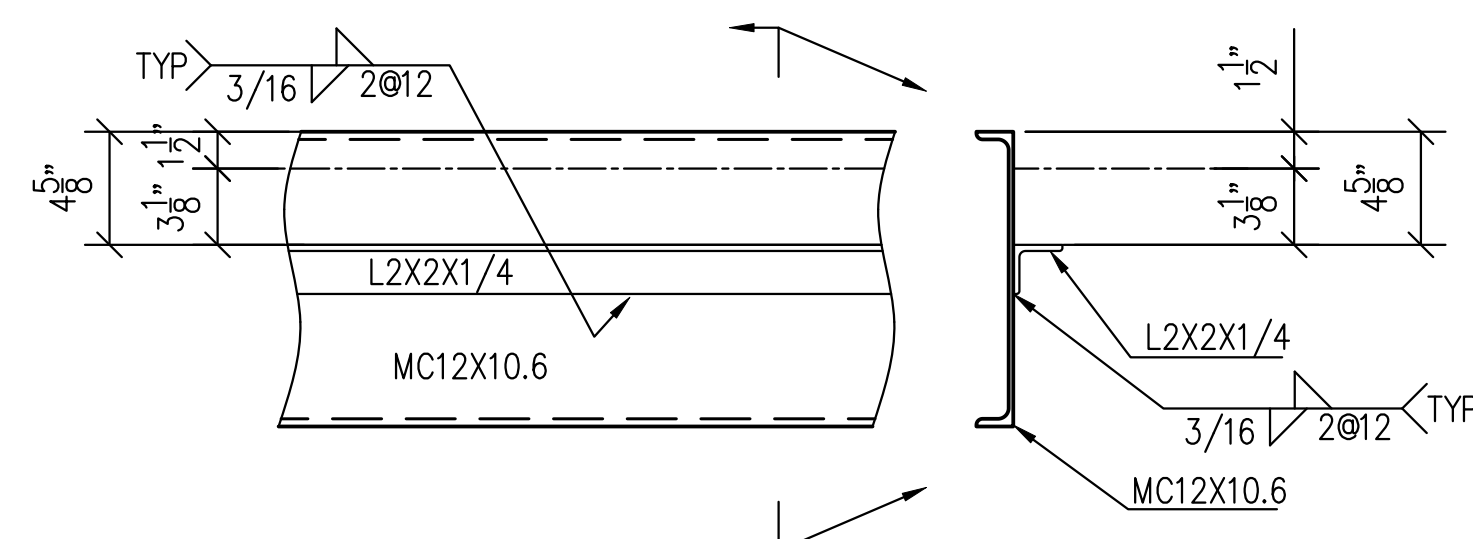
STCB2
(1 REQ.)



STCB3
(1 REQ.)



TYPICAL CARRIER DETAIL
SCALE 1 1/2"=1'-0"



TYPICAL LANDING DETAIL
SCALE 1 1/2"=1'-0"

BILL OF MATERIALS				
REQ.	PC. MARK	SHAPE	LENGTH	REMARKS
1	STCB1	MC12X10.6	10' 3 3/8"	-
1	ma3	HSS4X4X5/16	1' 4 1/8"	-
8	mb3	R3/16X1 1/2	1' 4" ±	-
1	mc3	R3/16X1 1/2	1' 2" ±	-
1	pa3	R1/4X1 1/2	0' 7 1/16"	-
1	pb3	R1/4X4	0' 4"	-
1	pc3	R1/2X10	0' 10"	-
1	pd3	R3/8X1 1/2	1' 0 13/16"	-
1	pe3	R1/4X1 1/2	0' 2"	-
1	aa3	L3X2X3/8	0' 3"	-
2	STCP1	HSS4X4X5/16	6' 4 3/8"	-
2	pc3	R1/2X10	0' 10"	-
2	pb3	R1/4X4	0' 4"	-
4	ab3	L4X4X3/8	0' 5"	-
1	STCB2	MC12X10.6	0' 9 1/2"	-
1	ac3	L2X2X1/4	0' 7 1/2"	-
1	STCB3	C8X11.5	8' 5 1/2"	-

GENERAL NOTES:

- V.I.F. INDICATES DIMENSION TO BE VERIFIED IN FIELD
- F.V. INDICATES FIELD VERIFIED DIMENSION
- ALL CHANNELS, ANGLES, AND PLATES TO BE ASTM A36 U.O.N.
- ALL WIDE FLANGE SECTIONS TO BE ASTM A992 U.O.N.
- ALL HSS SECTIONS TO BE ASTM A500 GRADE C U.O.N.
- ALL PIPE TO BE ASTM A500 GRADE B U.O.N.
- ALL MECHANICAL TUBE TO BE ASTM A513 U.O.N.

REVISION	DESCRIPTION	DATE	BY
2	SHOP DRAWINGS FOR APPROVAL	12/16/2021	TS
1	SHOP DRAWINGS FOR FAB. & ERECTION	11/24/2021	TS
0	SHOP DRAWINGS FOR APPROVAL	10/28/2021	TS

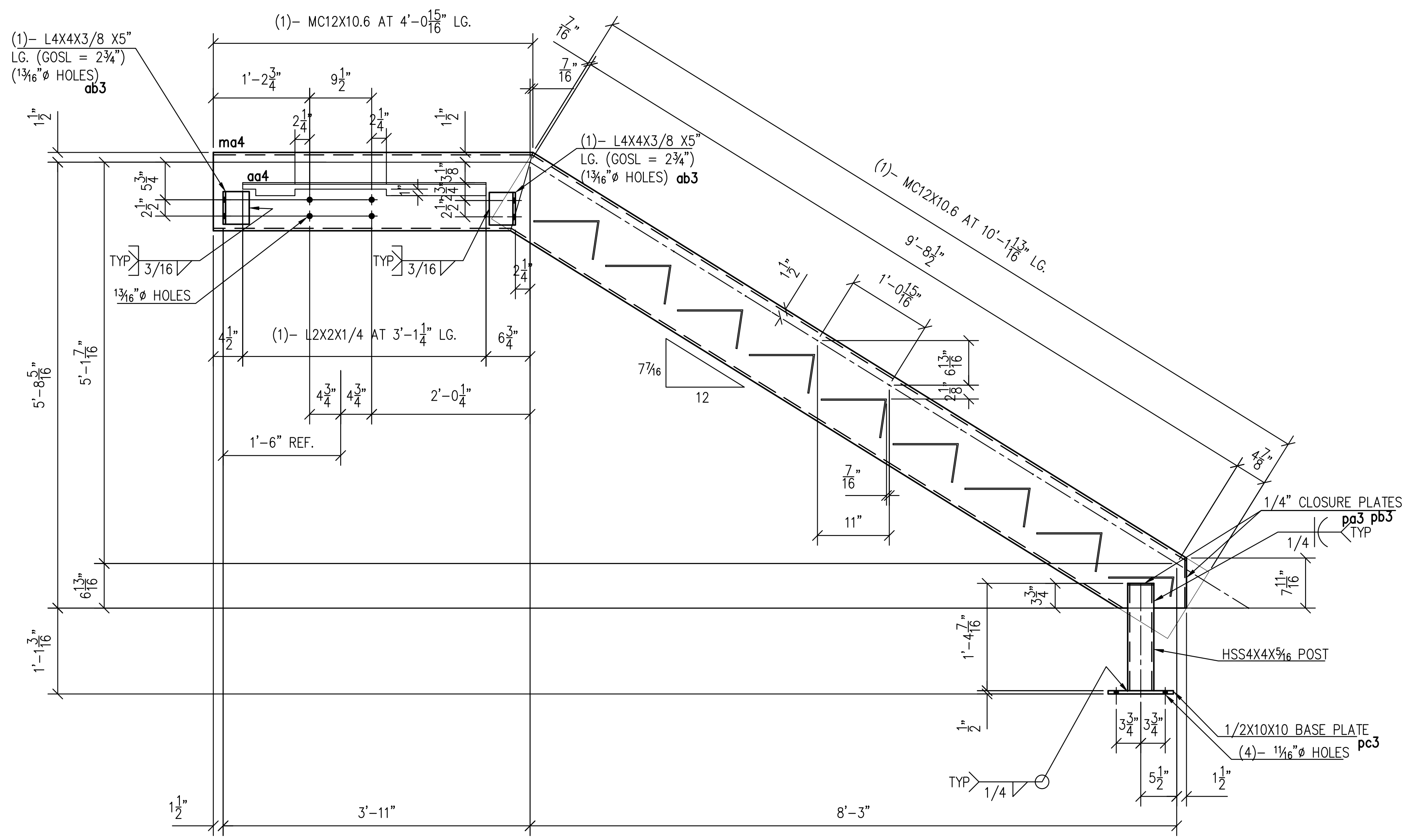
WELDS: E70XX U.O.N. HOLES: 1 3/16" Ø U.O.N.
FINISH: ONE COAT SHOP PRIMER U.O.N.



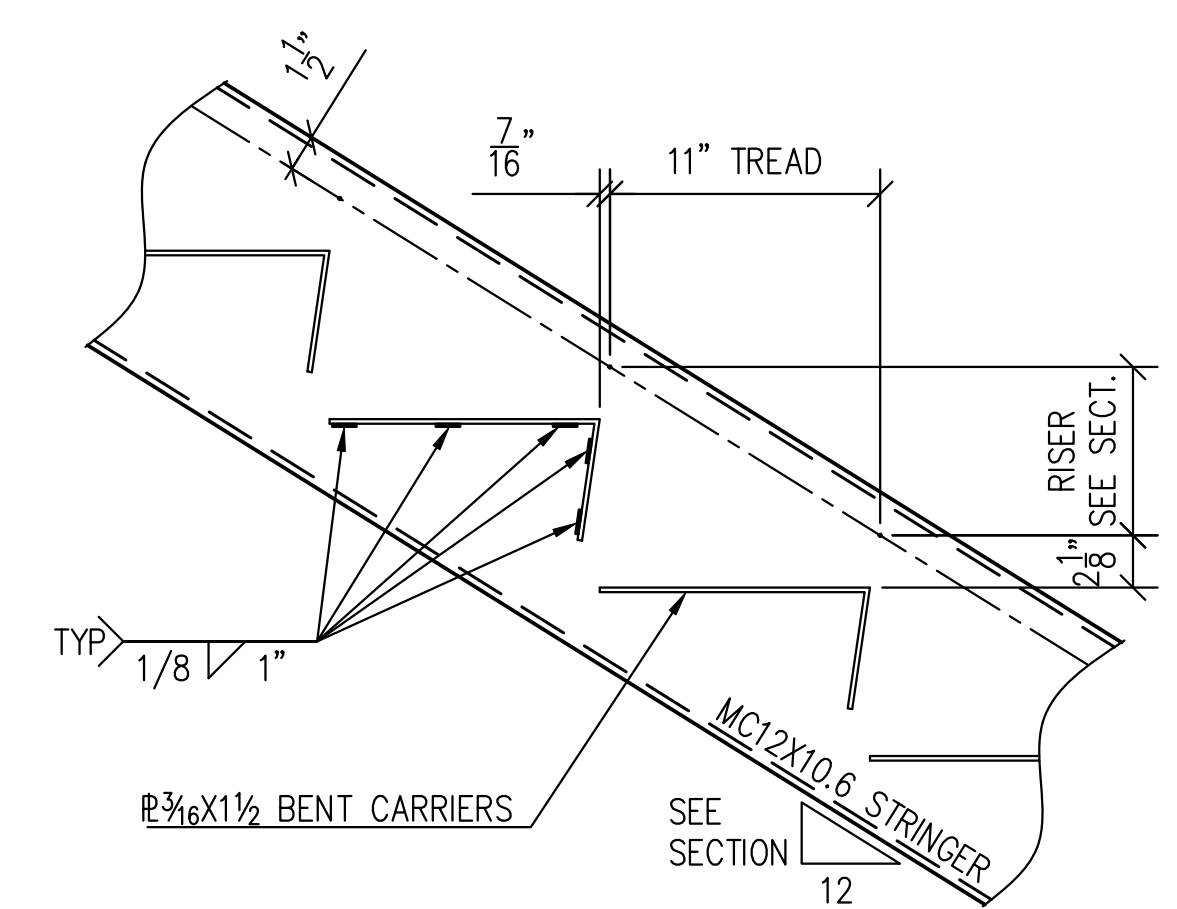
FOR APPROVAL:
12/16/2021

REFERENCE DESIGN DRAWINGS:
A202, A203, A603, S101, S102

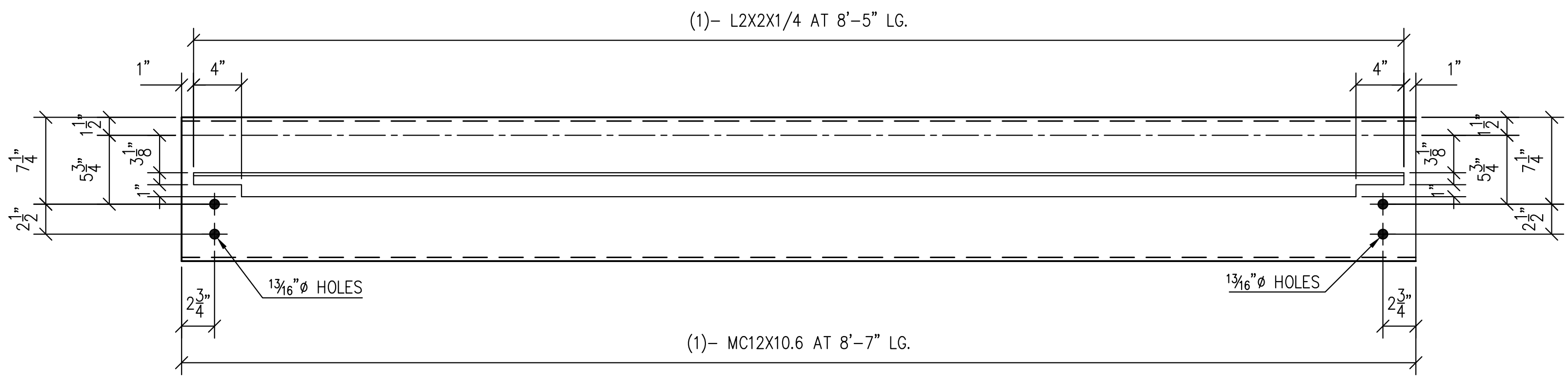
JOB NAME: BUTTERFLY NETWORK, INC.	ITEM NUMBER: -
JOB NUMBER: -	DATE: 10/12/2021
JOB LOCATION: BURLINGTON, MA	DETAILER: TS
GENERAL CONTRACTOR: -	DRAWING NO.: STC



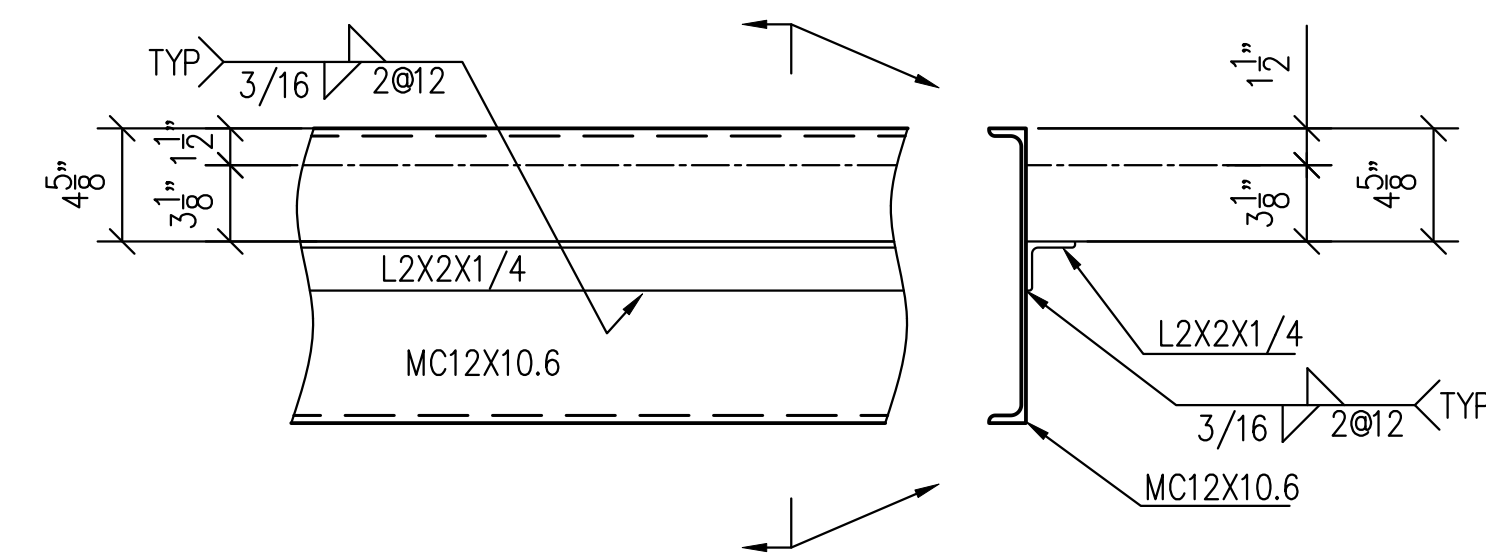
STDB1
(1 REQ.)



TYPICAL CARRIER DETAIL
SCALE 1 1/2"=1'-0"



STDB2
(1 REQ.)



TYPICAL LANDING DETAIL
SCALE 1 1/2"=1'-0"

BILL OF MATERIALS				
REQ.	PC. MARK	SHAPE	LENGTH	REMARKS
1	STDB1	MC12X10.6	10' 11 3/8"	-
1	ma4	MC12X10.6	4' 0 5/8"	-
1	ma3	HSS4X4X3/8	1' 4 1/8"	-
8	mb3	R 3/8X1 1/2	1' 4" ±	-
1	mc3	R 3/8X1 1/2	1' 2" ±	-
1	pa3	R 1/4X1 1/2	0' 7 1/8"	-
1	pb3	R 1/4X4	0' 4"	-
1	pc3	R 1/2X10	0' 10"	-
2	ab3	L4X4X3/8	0' 5"	-
1	aa4	L2X2X1/4	3' 1 1/4"	-
1	STDB2	MC12X10.6	8' 7"	-
1	ab4	L2X2X1/4	8' 5"	-

- GENERAL NOTES:**
- V.I.F. INDICATES DIMENSION TO BE VERIFIED IN FIELD
 - F.V. INDICATES FIELD VERIFIED DIMENSION
 - ALL CHANNELS, ANGLES, AND PLATES TO BE ASTM A36 U.O.N.
 - ALL WIDE FLANGE SECTIONS TO BE ASTM A992 U.O.N.
 - ALL HSS SECTIONS TO BE ASTM A500 GRADE C U.O.N.
 - ALL PIPE TO BE ASTM A500 GRADE B U.O.N.
 - ALL MECHANICAL TUBE TO BE ASTM A513 U.O.N.

REVISION	DESCRIPTION	DATE	BY
2	SHOP DRAWINGS FOR APPROVAL	12/16/2021	TS
1	SHOP DRAWINGS FOR FAB. & ERECTION	11/24/2021	TS
0	SHOP DRAWINGS FOR APPROVAL	10/28/2021	TS

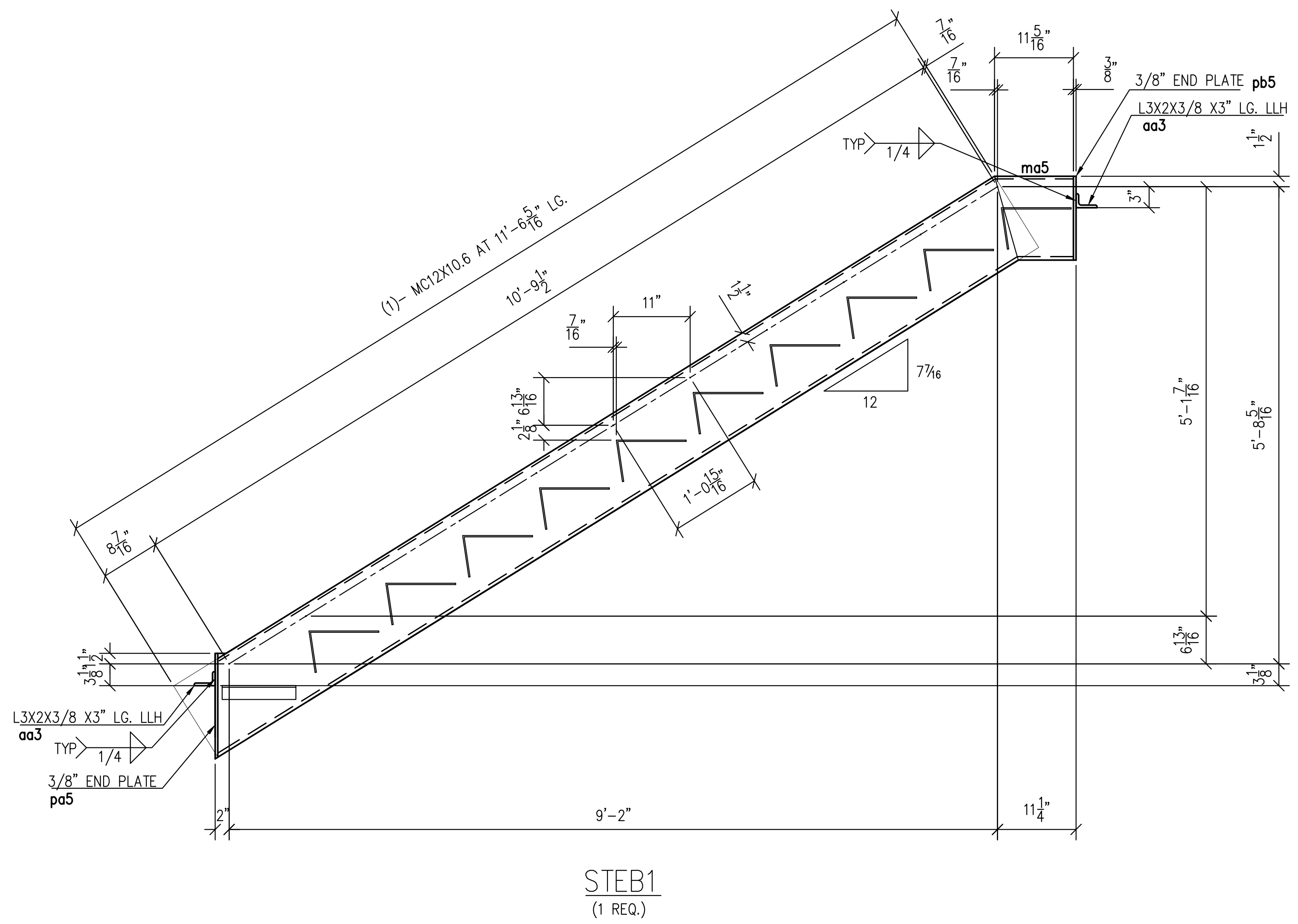
WELDS: E70XX U.O.N. HOLES: 1 3/16" Ø U.O.N.
FINISH: ONE COAT SHOP PRIMER U.O.N.



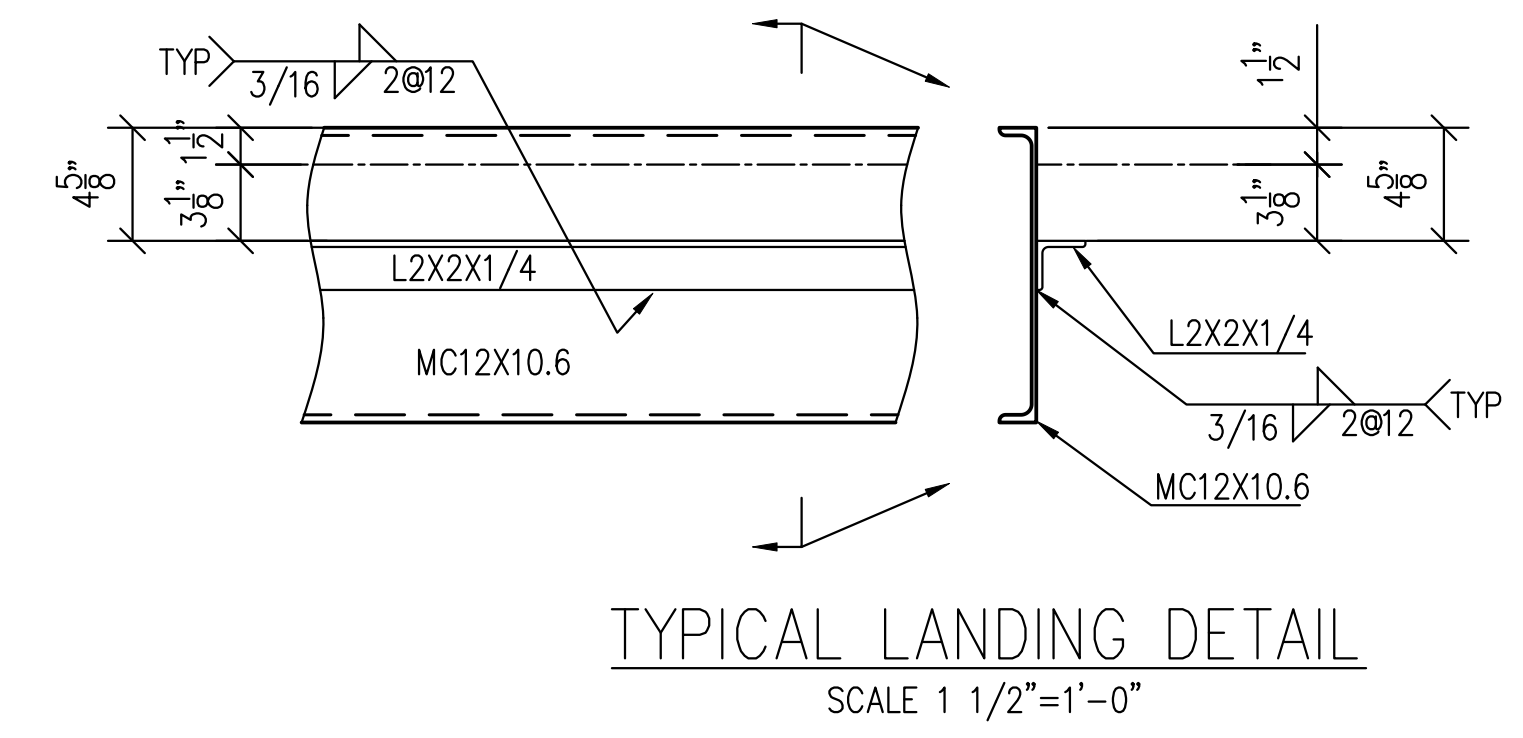
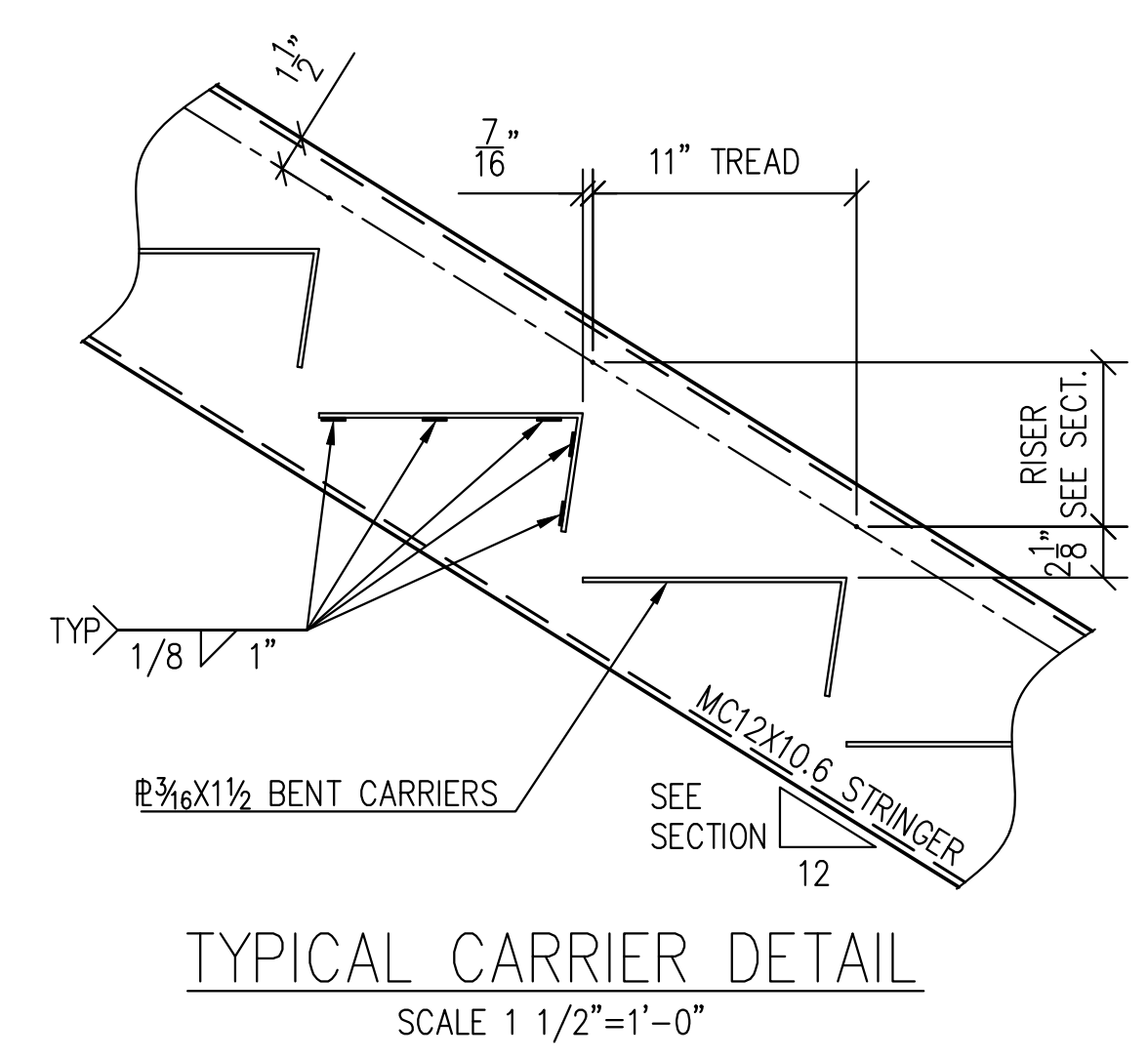
FOR APPROVAL:
12/16/2021

REFERENCE DESIGN DRAWINGS:
A202, A203, A603, S101, S102

JOB NAME: BUTTERFLY NETWORK, INC.	ITEM NUMBER: -
JOB NUMBER: -	DATE: 10/12/2021
JOB LOCATION: BURLINGTON, MA	DETAILER: TS
GENERAL CONTRACTOR: -	DRAWING NO.: STD



BILL OF MATERIALS				
REQ.	PC. MARK	SHAPE	LENGTH	REMARKS
1	STEB1	MC12X10.6	11' 6 5/16"	--
1	ma5	MC12X10.6	0' 11 5/16"	--
10	mb3	R 3/8 X 1 1/2	1' 4" ±	--
1	pa5	R 3/8 X 1 1/2	1' 3 1/8"	--
1	pb5	R 3/8 X 1 1/2	1' 0"	--
2	aa3	L3X2X3/8	0' 3"	--
1	aa5	L2X2X1/4	0' 10 1/2"	--



GENERAL NOTES:

1. V.I.F. INDICATES DIMENSION TO BE VERIFIED IN FIELD
2. F.V. INDICATES FIELD VERIFIED DIMENSION
3. ALL CHANNELS, ANGLES, AND PLATES TO BE ASTM A36 U.O.N.
4. ALL WIDE FLANGE SECTIONS TO BE ASTM A992 U.O.N.
5. ALL HSS SECTIONS TO BE ASTM A500 GRADE C U.O.N.
6. ALL PIPE TO BE ASTM A500 GRADE B U.O.N.
7. ALL MECHANICAL TUBE TO BE ASTM A513 U.O.N.

REVISION	DESCRIPTION	DATE	BY
2	SHOP DRAWINGS FOR APPROVAL	12/16/2021	TS
1	SHOP DRAWINGS FOR FAB. & ERECTION	11/24/2021	TS
0	SHOP DRAWINGS FOR APPROVAL	10/28/2021	TS

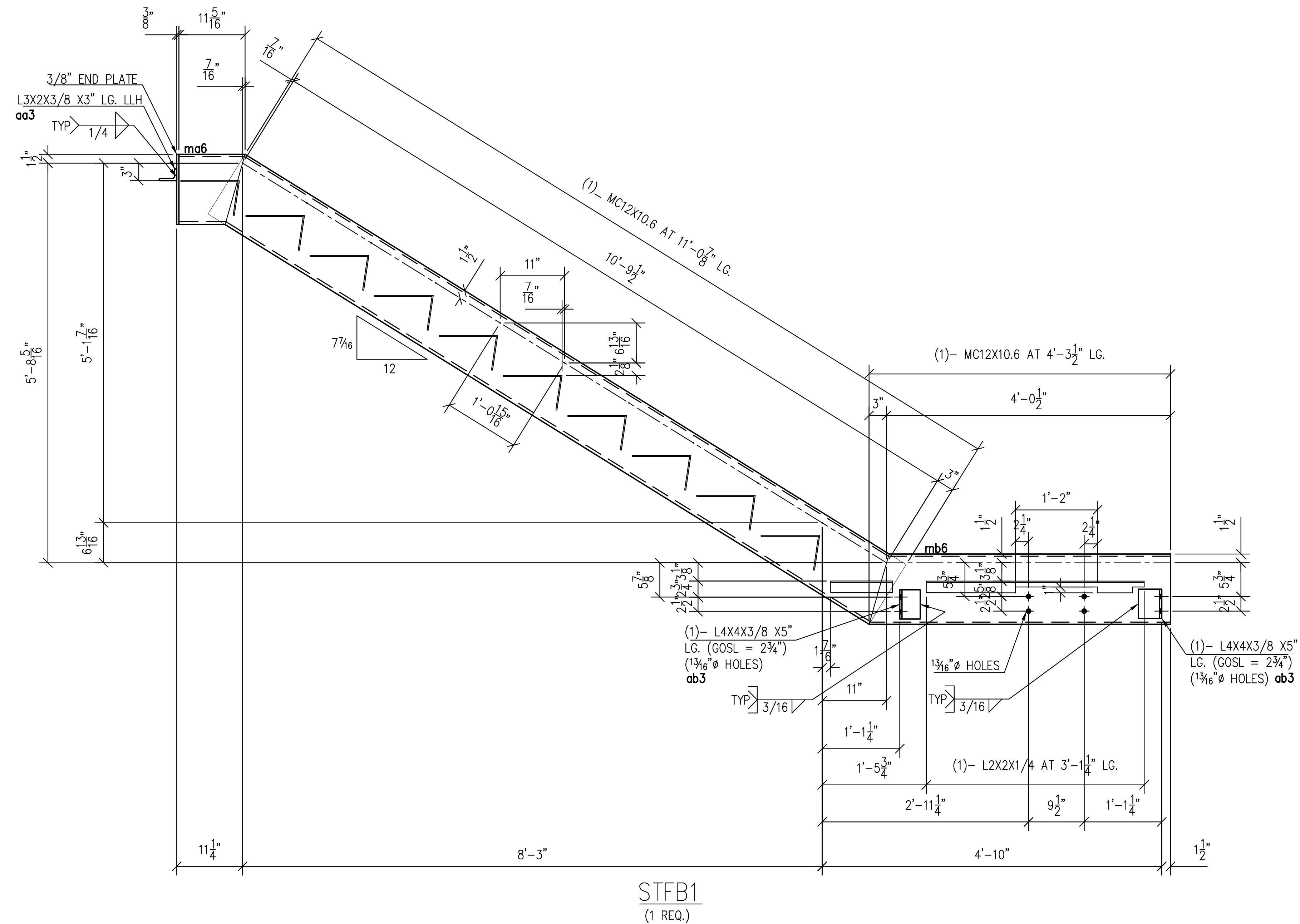
WELDS: E70XX U.O.N. HOLES: 13/16" Ø U.O.N.
FINISH: ONE COAT SHOP PRIMER U.O.N.



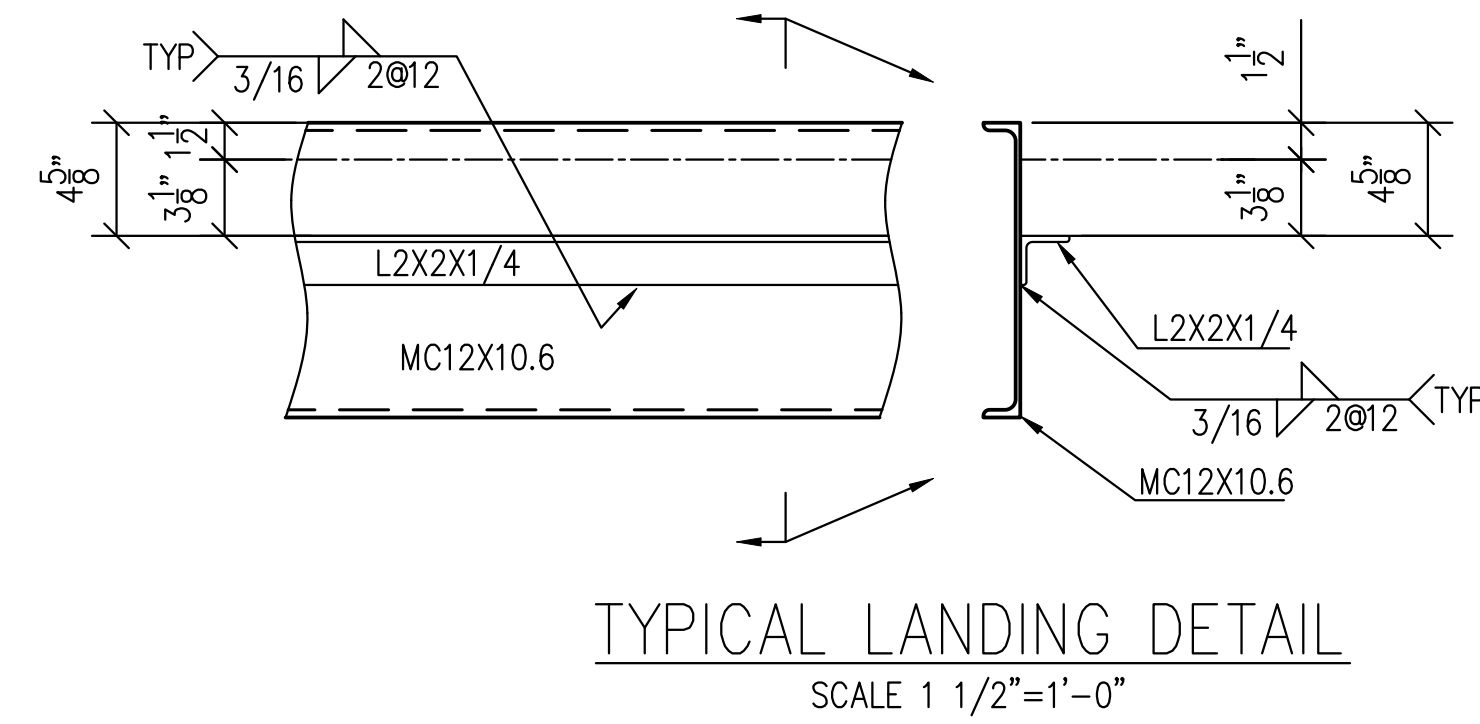
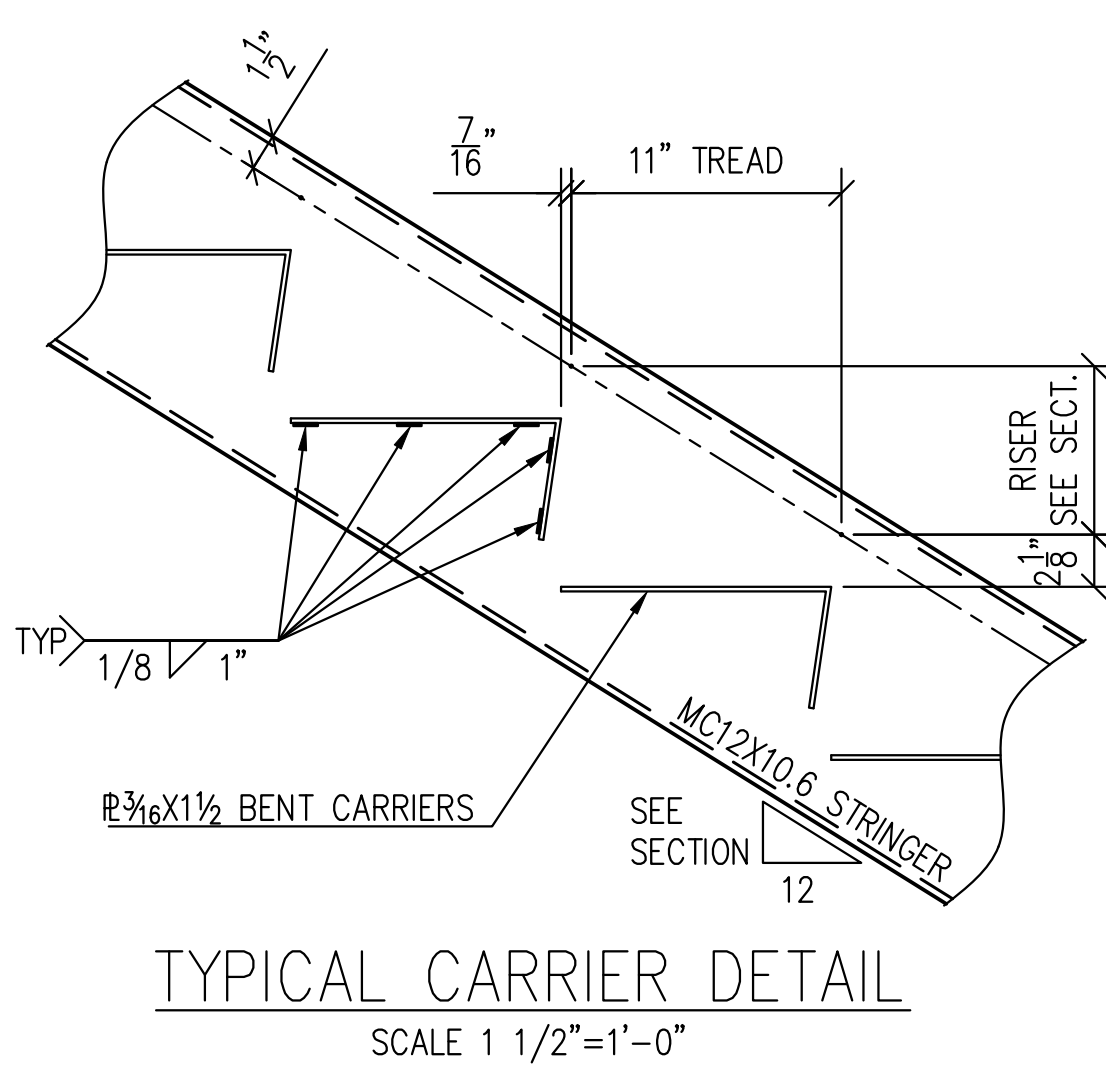
FOR APPROVAL:
12/16/2021

REFERENCE DESIGN DRAWINGS:
A202, A203, A603, S101, S102

JOB NAME: BUTTERFLY NETWORK, INC.	ITEM NUMBER: --
JOB LOCATION: BURLINGTON, MA	DATE: 10/12/2021
GENERAL CONTRACTOR: --	DETAILER: TS
ITEM DESCRIPTION: STAIR	DRAWING NO.: STE



BILL OF MATERIALS				
REQ.	PC. MARK	SHAPE	LENGTH	REMARKS
1	STFB1	MC12X10.6	11' 0 ⁷ / ₁₆ "	-
1	ma6	MC12X10.6	0' 11 ⁵ / ₁₆ "	-
1	mb6	MC12X10.6	4' 3 ¹ / ₂ "	-
10	mb3	R3 ³ / ₈ X1 ¹ / ₂	1' 4"±	-
1	pb5	R3 ³ / ₈ X1 ¹ / ₂	1' 0"	-
2	ab3	L4X4X3/8	0' 5"	-
1	aa3	L3X2X3/8	0' 3"	-
1	aa5	L2X2X1/4	0' 10 ¹ / ₂ "	-
1	aa6	L2X2X1/4	3' 1 ¹ / ₄ "	-



GENERAL NOTES:

1. V.I.F. INDICATES DIMENSION TO BE VERIFIED IN FIELD
2. F.V. INDICATES FIELD VERIFIED DIMENSION
3. ALL CHANNELS, ANGLES, AND PLATES TO BE ASTM A36 U.O.N.
4. ALL WIDE FLANGE SECTIONS TO BE ASTM A992 U.O.N.
5. ALL HSS SECTIONS TO BE ASTM A500 GRADE C U.O.N.
6. ALL PIPE TO BE ASTM A500 GRADE B U.O.N.
7. ALL MECHANICAL TUBE TO BE ASTM A513 U.O.N.

REVISION	DESCRIPTION	DATE	BY
2	SHOP DRAWINGS FOR APPROVAL	12/16/2021	TS
1	SHOP DRAWINGS FOR FAB. & ERECTION	11/24/2021	TS
0	SHOP DRAWINGS FOR APPROVAL	10/28/2021	TS

WELDS: E70XX U.O.N. HOLES: 13/16"Ø U.O.N.
FINISH: ONE COAT SHOP PRIMER U.O.N.

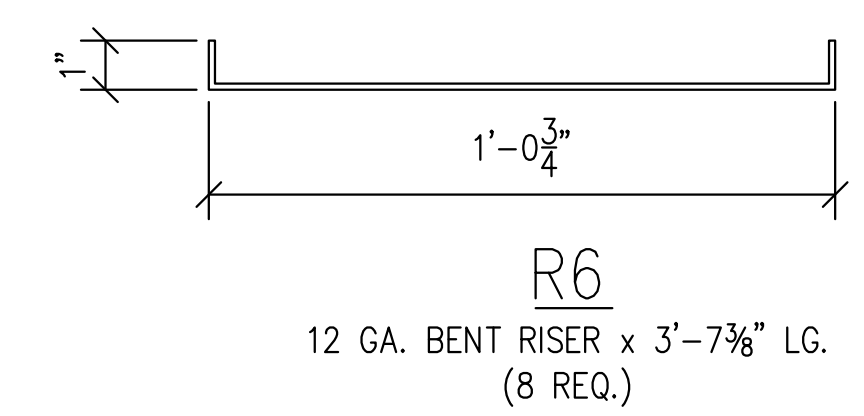
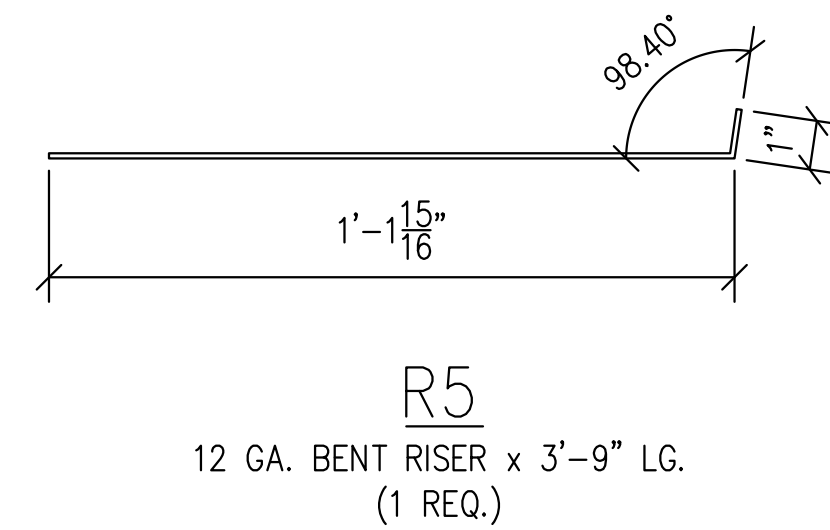
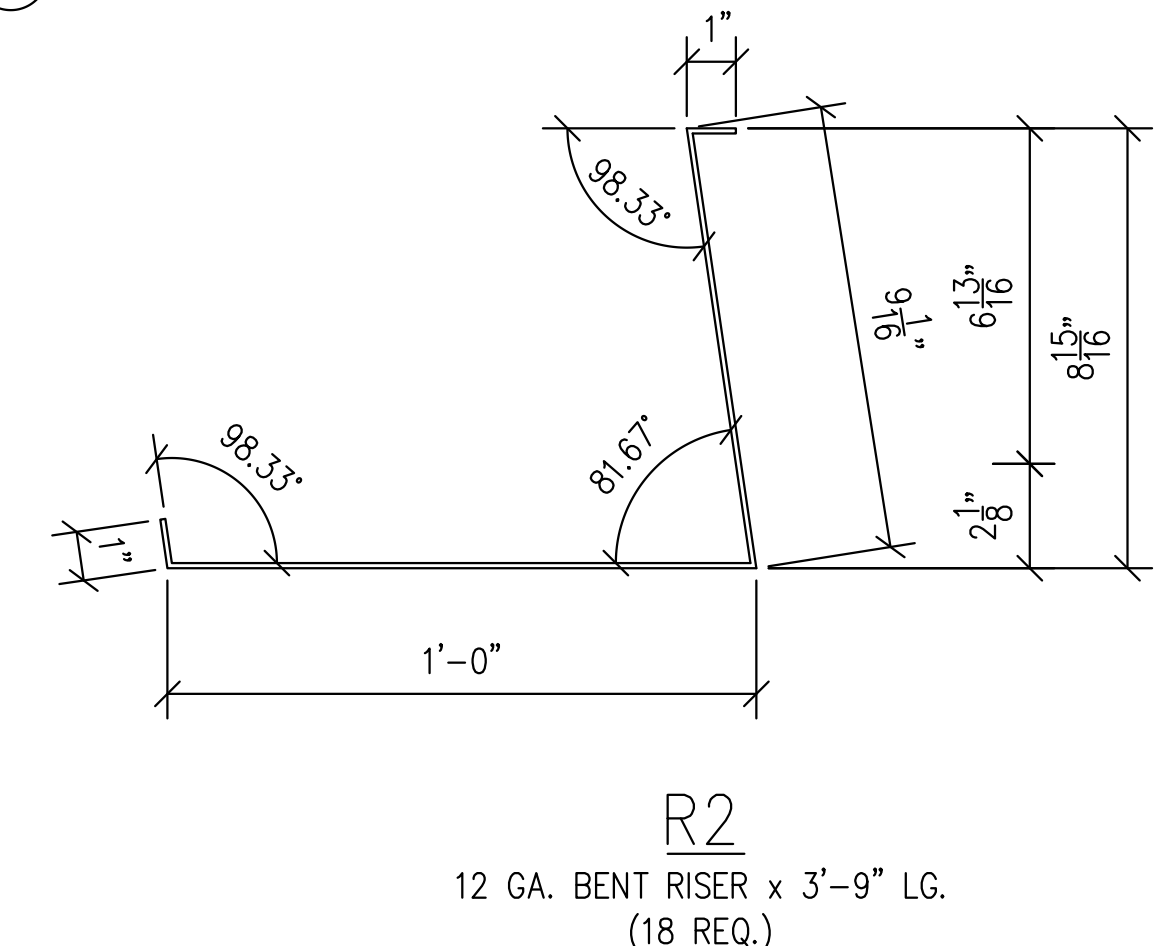
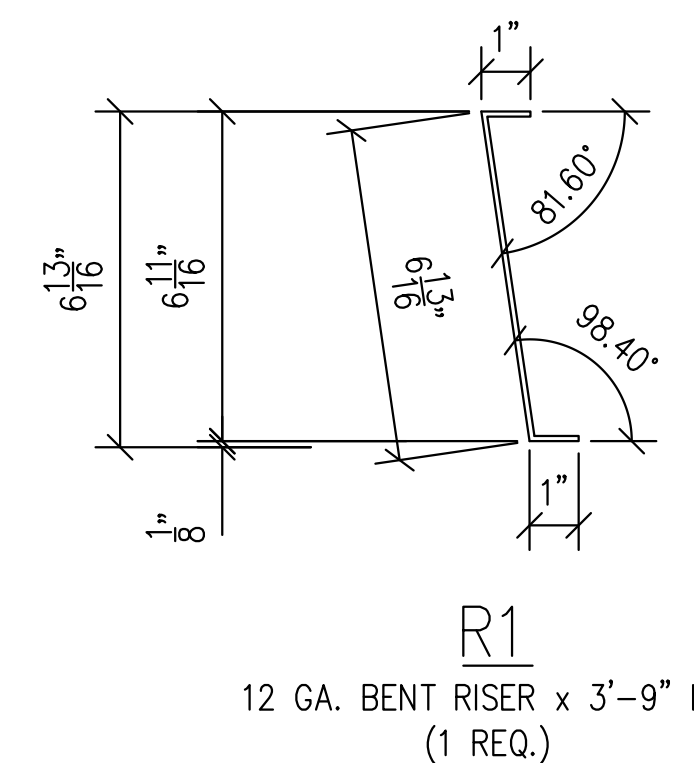
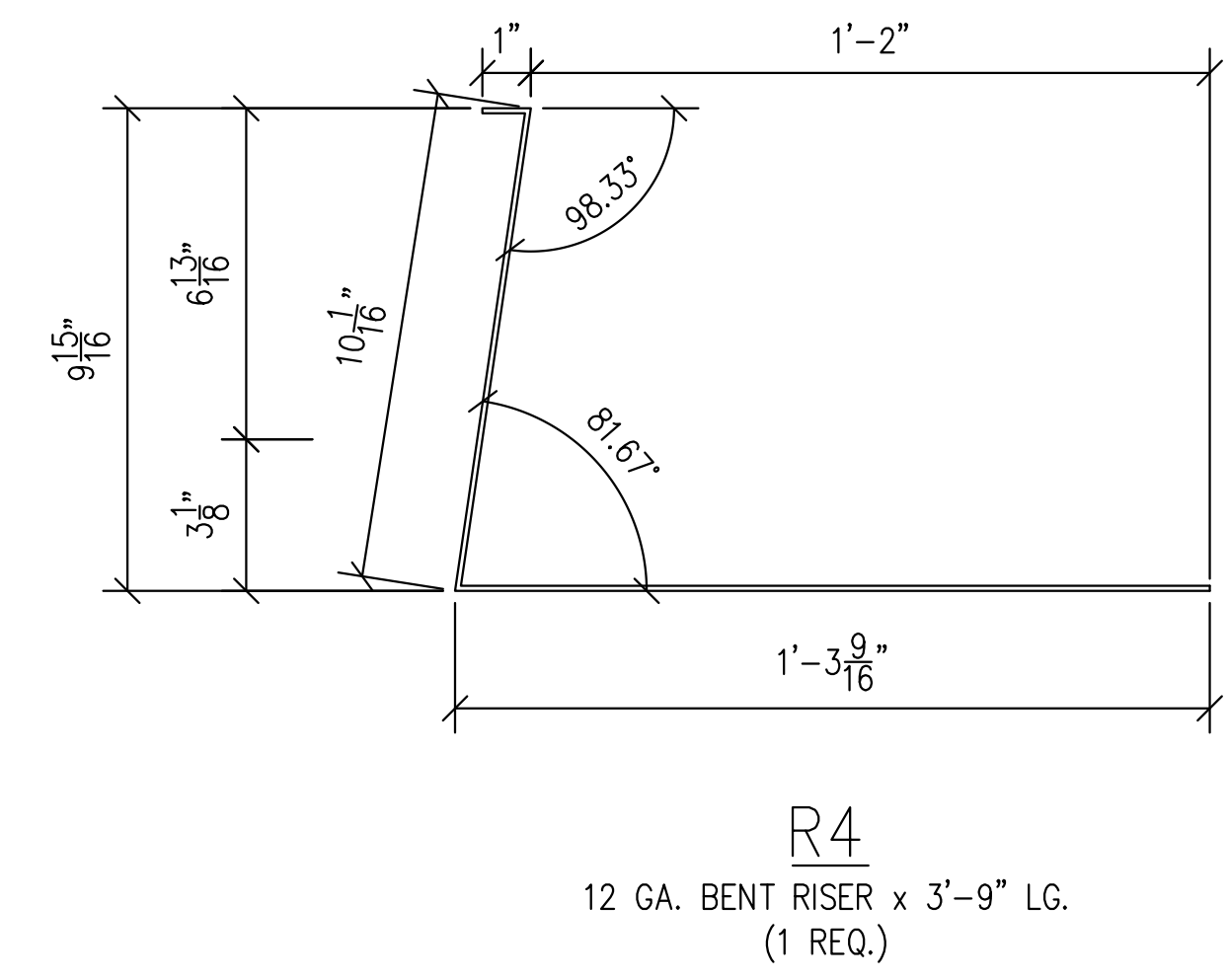
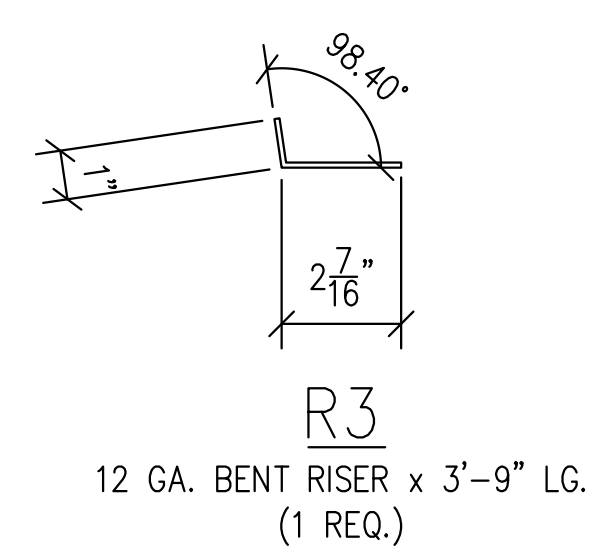
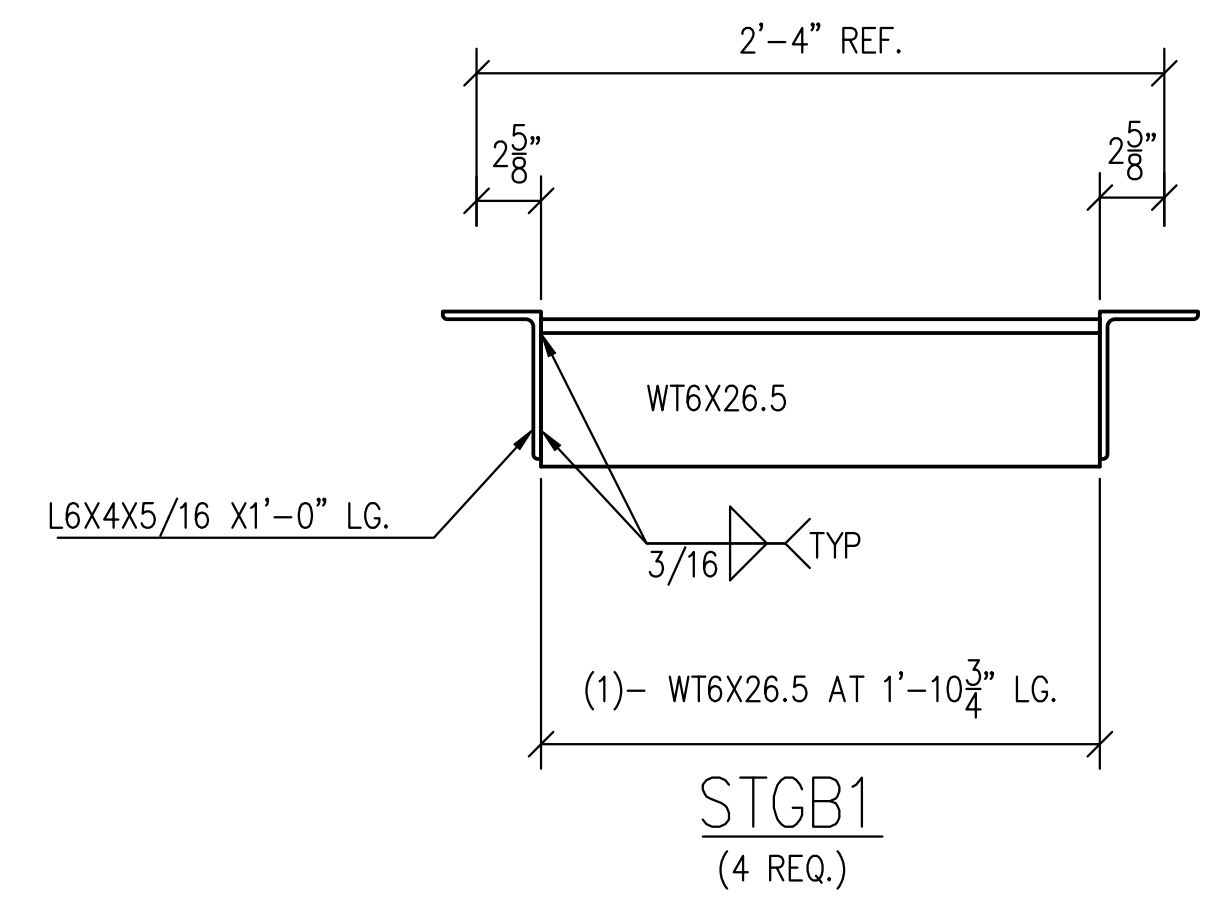
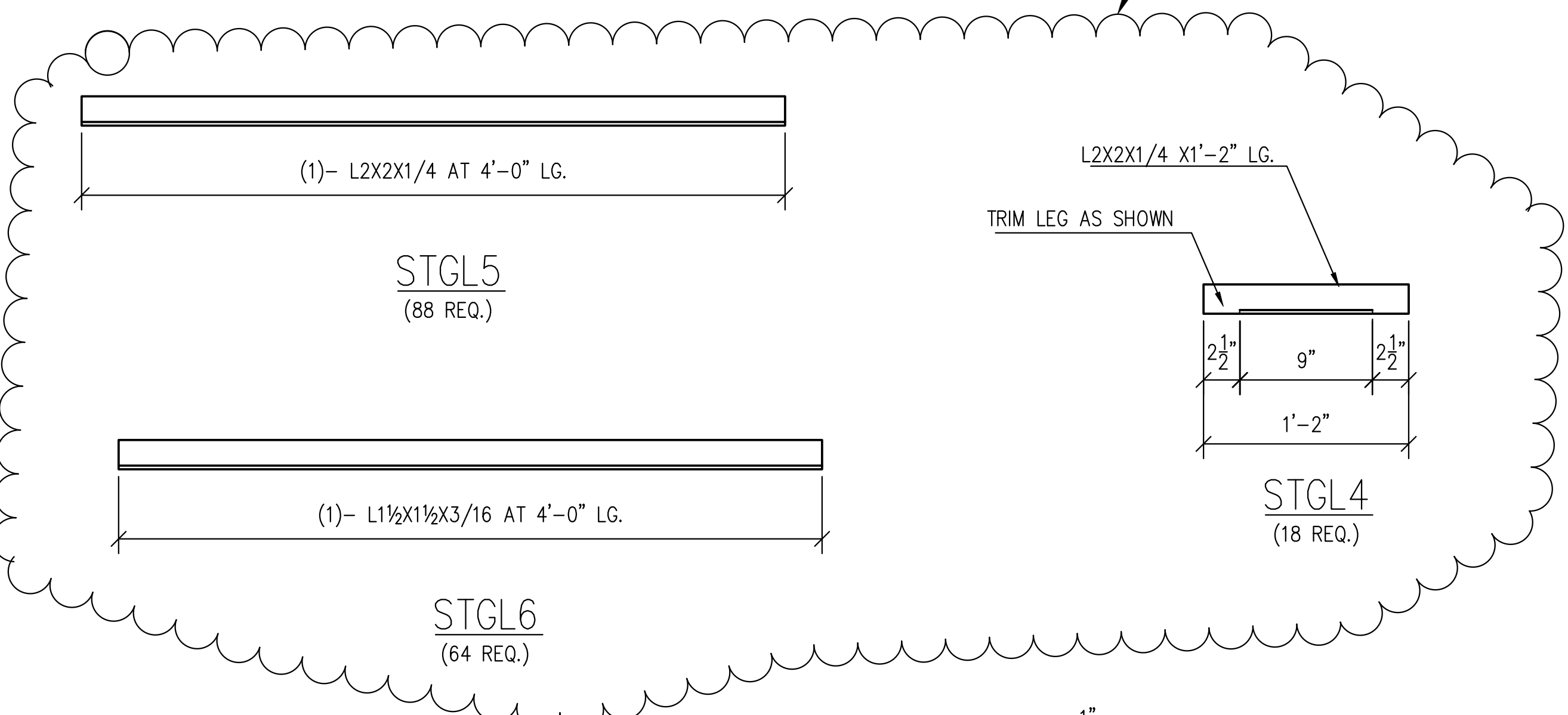


FOR APPROVAL:
12/16/2021

REFERENCE DESIGN DRAWINGS:
A202, A203, A603, S101, S102

JOB NAME: BUTTERFLY NETWORK, INC.	ITEM NUMBER: -
JOB NUMBER: -	
JOB LOCATION: BURLINGTON, MA	DATE: 10/12/2021
GENERAL CONTRACTOR: -	DETAILER: TS
ITEM DESCRIPTION: STAIR	DRAWING NO.: STF

NOTE: JOIST DEPTH & CHORD LENGTHS MUST BE FIELD VERIFIED PRIOR TO FABRICATION OF THESE REINFORCEMENT PIECES (REF. ST-2, ST-4, & ST-6).



BILL OF MATERIALS				
REQ.	PC. MARK	SHAPE	LENGTH	REMARKS
4	STGB1	WT6X26.5	1' 10 3/4"	-
8	aa7	L6X4X5/16	1' 0"	-
1	STGL4	L2X2X1/4	1' 2"	-
1	STGL5	L2X2X1/4	4' 0"	-
1	STGL6	L1 1/2 X 1 1/2 X 3/16	4' 0"	-
1	R1	12 GA. BENT PAN	3' 9"	-
18	R2	12 GA. BENT PAN	3' 9"	-
1	R3	12 GA. BENT PAN	3' 9"	-
1	R4	12 GA. BENT PAN	3' 9"	-
1	R5	12 GA. BENT PAN	3' 9"	-
8	R6	12 GA. BENT PAN	3' 7 3/8"	-

GENERAL NOTES:

- V.I.F. INDICATES DIMENSION TO BE VERIFIED IN FIELD
- F.V. INDICATES FIELD VERIFIED DIMENSION
- ALL CHANNELS, ANGLES, AND PLATES TO BE ASTM A36 U.O.N.
- ALL WIDE FLANGE SECTIONS TO BE ASTM A992 U.O.N.
- ALL HSS SECTIONS TO BE ASTM A500 GRADE C U.O.N.
- ALL PIPE TO BE ASTM A500 GRADE B U.O.N.
- ALL MECHANICAL TUBE TO BE ASTM A513 U.O.N.

REVISION	DESCRIPTION	DATE	BY
2	SHOP DRAWINGS FOR APPROVAL	12/16/2021	TS
1	SHOP DRAWINGS FOR FAB. & ERECTION	11/24/2021	TS
0	SHOP DRAWINGS FOR APPROVAL	10/28/2021	TS

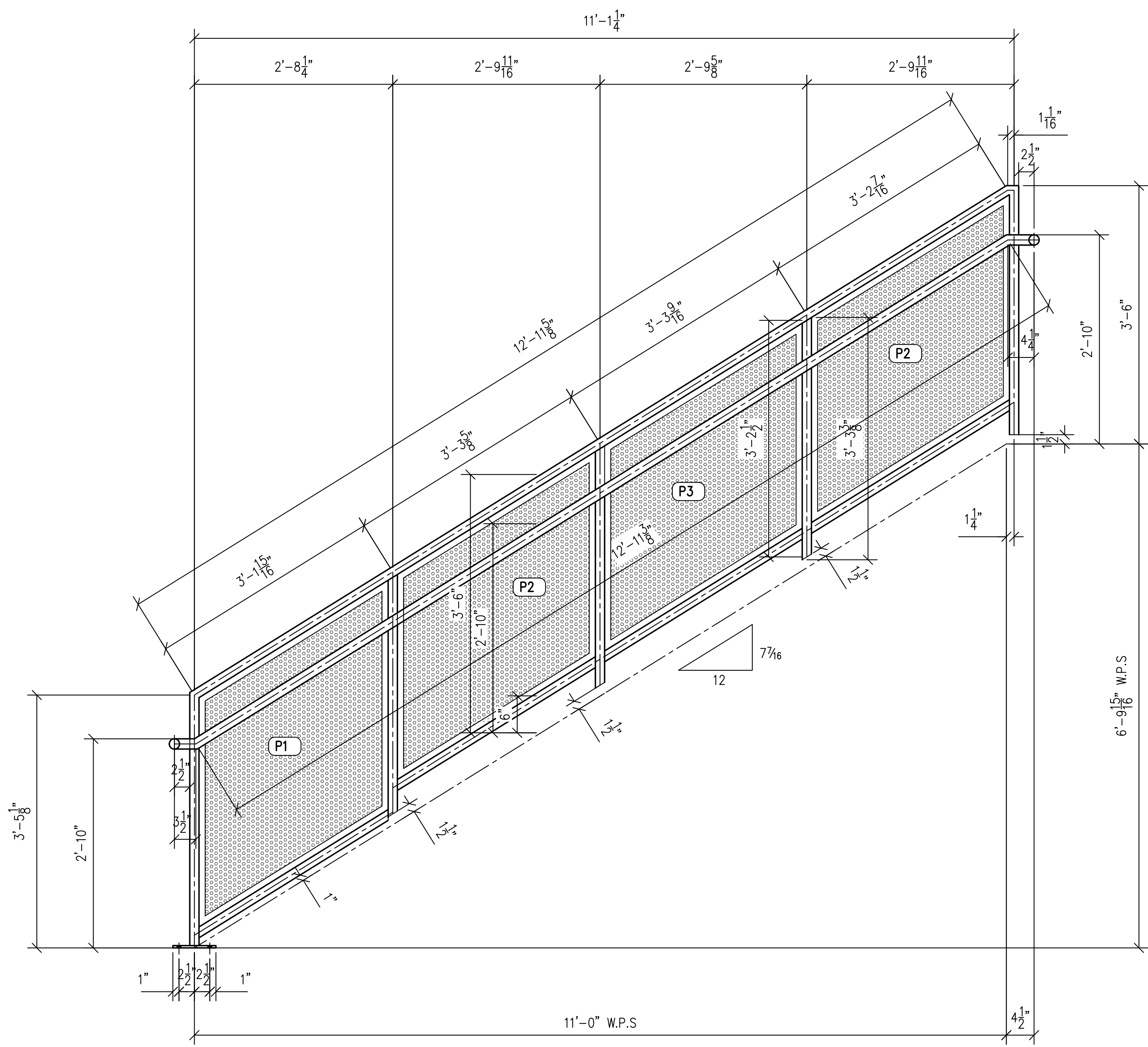
WELDS: E70XX U.O.N. HOLES: 1 3/16" Ø U.O.N.
FINISH: ONE COAT SHOP PRIMER U.O.N.



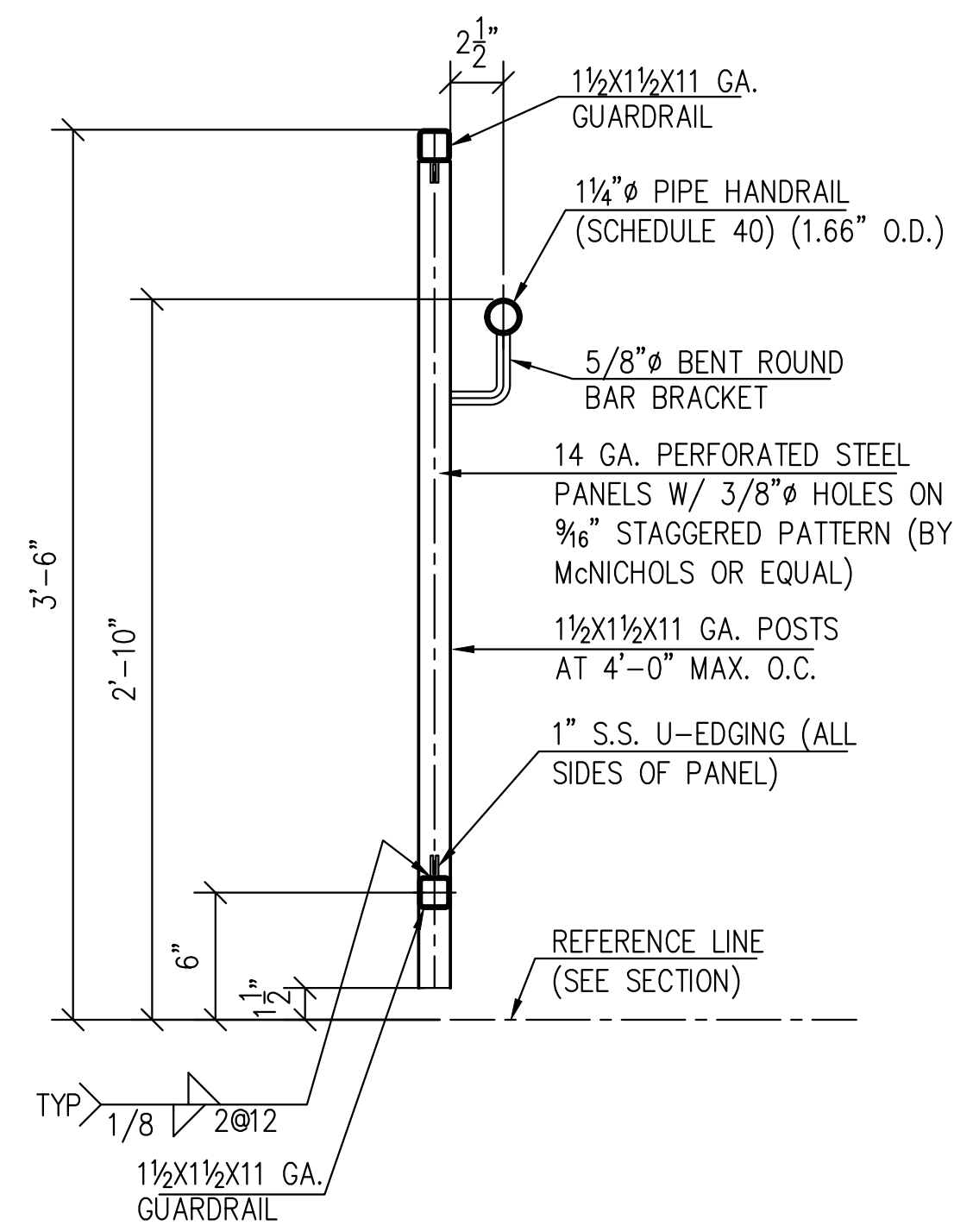
FOR APPROVAL:
12/16/2021

REFERENCE DESIGN DRAWINGS:
A202, A203, A603, S101, S102

JOB NAME: BUTTERFLY NETWORK, INC.	ITEM NUMBER: -
JOB NUMBER: -	DATE: 10/12/2021
JOB LOCATION: BURLINGTON, MA	DETAILER: TS
GENERAL CONTRACTOR: -	DRAWING NO.: STG



STHR1
(1 REQ.)



TYPICAL GUARDRAIL DETAIL
SCALE 1 1/2"=1'-0"

BILL OF MATERIALS				
REQ.	PC. MARK	SHAPE	LENGTH	REMARKS
1	STHR1	GUARDRAIL ASSEMBLY	-'	-"
1	GUARDRAIL	1 1/2 X 1 1/2 11 GA. TUBE	47	LF
1	HANDRAIL	1 1/4" PIPE (SCH. 40)	15	LF
1	P1	14 GA. PERF. PANEL	4' 8 3/8"	2'-6 3/4" LG.
2	P2	14 GA. PERF. PANEL	4' 5 5/8"	2'-8 3/8" LG.
1	P3	14 GA. PERF. PANEL	4' 5 5/8"	2'-8 3/8" LG.
1	P8	14 GA. PERF. PANEL	2' 9 3/4"	10" LG.

GENERAL NOTES:

- V.I.F. INDICATES DIMENSION TO BE VERIFIED IN FIELD
- F.V. INDICATES FIELD VERIFIED DIMENSION
- ALL CHANNELS, ANGLES, AND PLATES TO BE ASTM A36 U.O.N.
- ALL WIDE FLANGE SECTIONS TO BE ASTM A992 U.O.N.
- ALL HSS SECTIONS TO BE ASTM A500 GRADE C U.O.N.
- ALL PIPE TO BE ASTM A500 GRADE B U.O.N.
- ALL MECHANICAL TUBE TO BE ASTM A513 U.O.N.

REVISION	DESCRIPTION	DATE	BY
2	SHOP DRAWINGS FOR APPROVAL	12/16/2021	TS
1	SHOP DRAWINGS FOR FAB. & ERECTION	11/24/2021	TS
0	SHOP DRAWINGS FOR APPROVAL	10/28/2021	TS

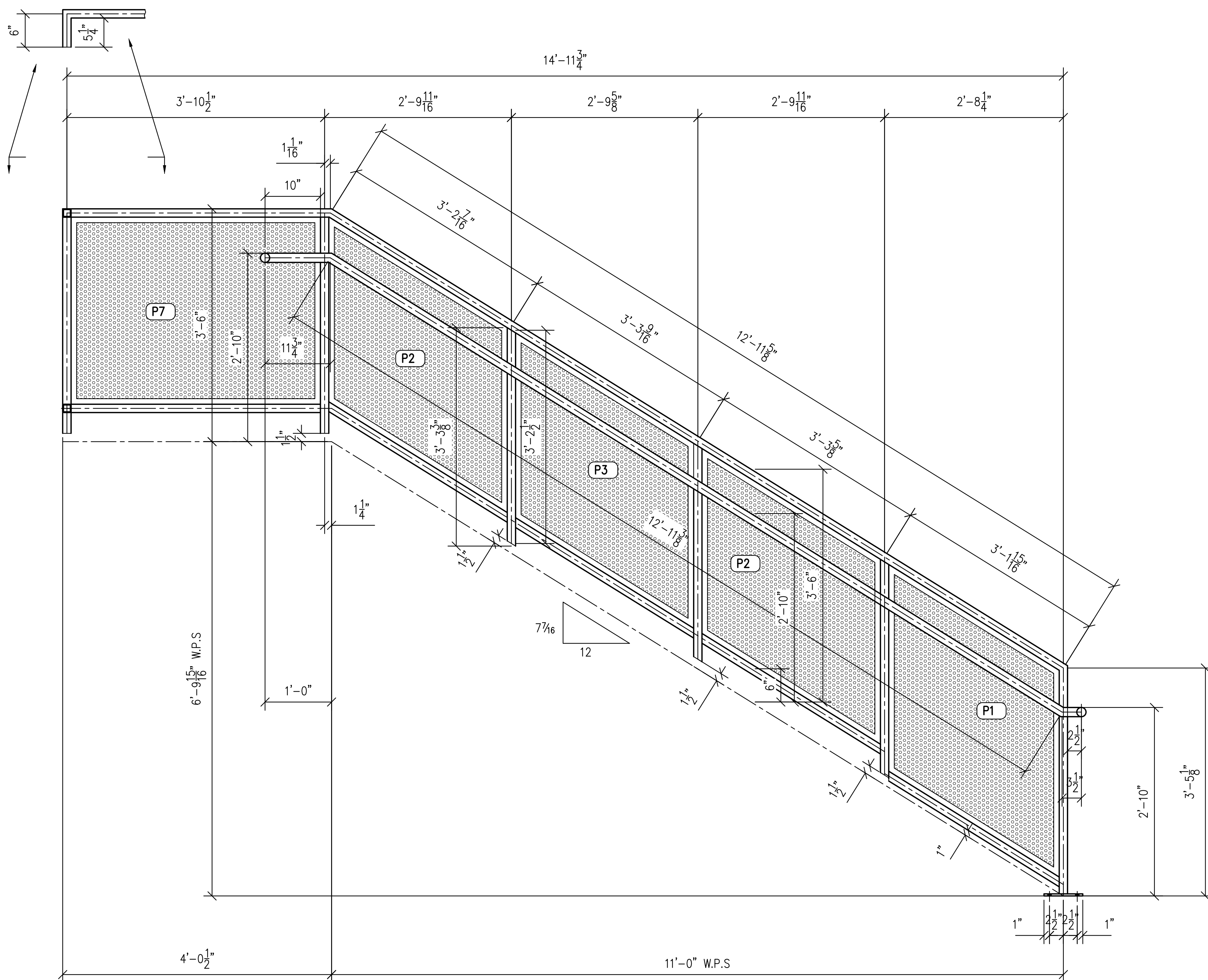
WELDS: E70XX U.O.N. HOLES: 13/16" Ø U.O.N.
FINISH: ONE COAT SHOP PRIMER U.O.N.



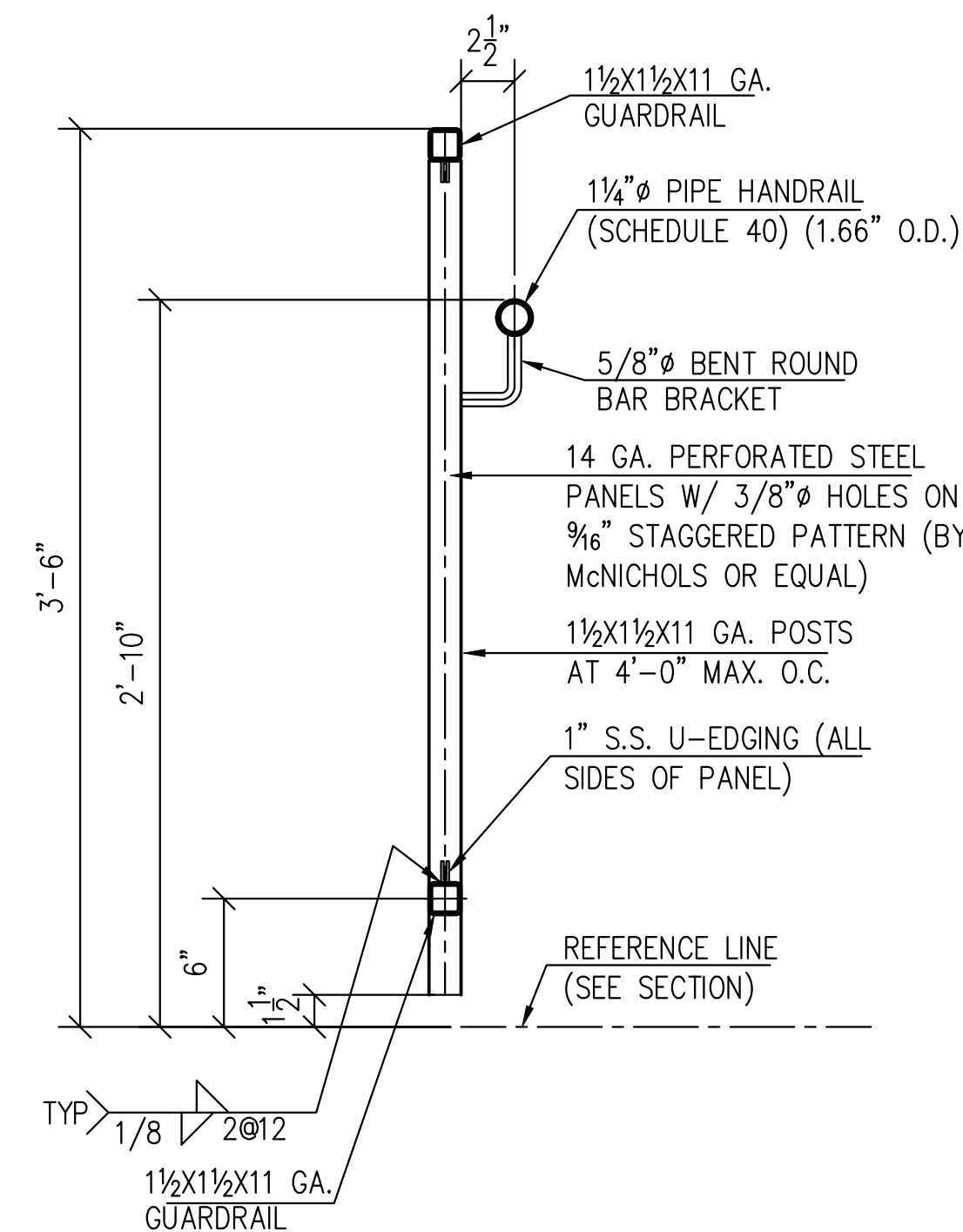
FOR APPROVAL:
12/16/2021

REFERENCE DESIGN DRAWINGS:
A202, A203, A603, S101, S102

JOB NAME: BUTTERFLY NETWORK, INC.	ITEM NUMBER: -
JOB NUMBER: -	DATE: 10/12/2021
JOB LOCATION: BURLINGTON, MA	DETAILER: TS
GENERAL CONTRACTOR: -	DRAWING NO.: STH
ITEM DESCRIPTION: STAIR	



STKR1
(1 REQ.)



TYPICAL GUARDRAIL DETAIL
SCALE 1 1/2"=1'-0"

BILL OF MATERIALS				
REQ.	PC. MARK	SHAPE	LENGTH	REMARKS
1	STKR1	GUARDRAIL ASSEMBLY	--'	--"
1	GUARDRAIL	1 1/2 X 1 1/2 GA. TUBE	55	LF
1	HANDRAIL	1 1/4" PIPE (SCH. 40)	15	LF
1	P1	14 GA. PERF. PANEL	4' 8 3/8"	2'-6 3/4" LG.
2	P2	14 GA. PERF. PANEL	4' 5 5/16"	2'-8 3/16" LG.
1	P3	14 GA. PERF. PANEL	4' 5 5/16"	2'-8 3/16" LG.
1	P7	14 GA. PERF. PANEL	3' 9"	2'-9 3/4" LG.

GENERAL NOTES:

- 1. V.I.F. INDICATES DIMENSION TO BE VERIFIED IN FIELD
- 2. F.V. INDICATES FIELD VERIFIED DIMENSION
- 3. ALL CHANNELS, ANGLES, AND PLATES TO BE ASTM A36 U.O.N.
- 4. ALL WIDE FLANGE SECTIONS TO BE ASTM A992 U.O.N.
- 5. ALL HSS SECTIONS TO BE ASTM A500 GRADE C U.O.N.
- 6. ALL PIPE TO BE ASTM A500 GRADE B U.O.N.
- 7. ALL MECHANICAL TUBE TO BE ASTM A513 U.O.N.

REVISION	DESCRIPTION	DATE	BY
2	SHOP DRAWINGS FOR APPROVAL	12/16/2021	TS
1	SHOP DRAWINGS FOR FAB. & ERECTION	11/24/2021	TS
0	SHOP DRAWINGS FOR APPROVAL	10/28/2021	TS

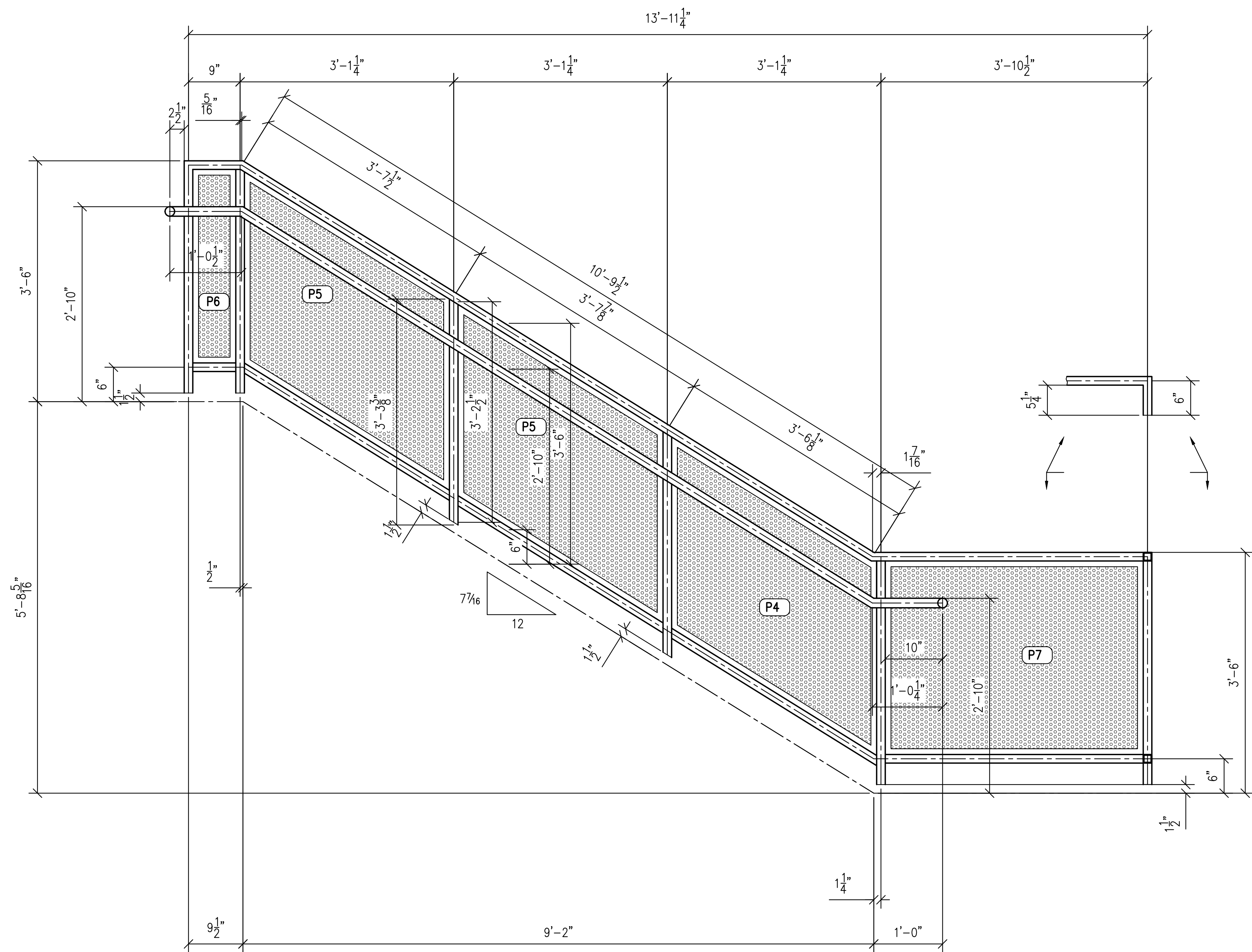
WELDS: E70XX U.O.N. HOLES: 13/16" Ø U.O.N.
FINISH: ONE COAT SHOP PRIMER U.O.N.



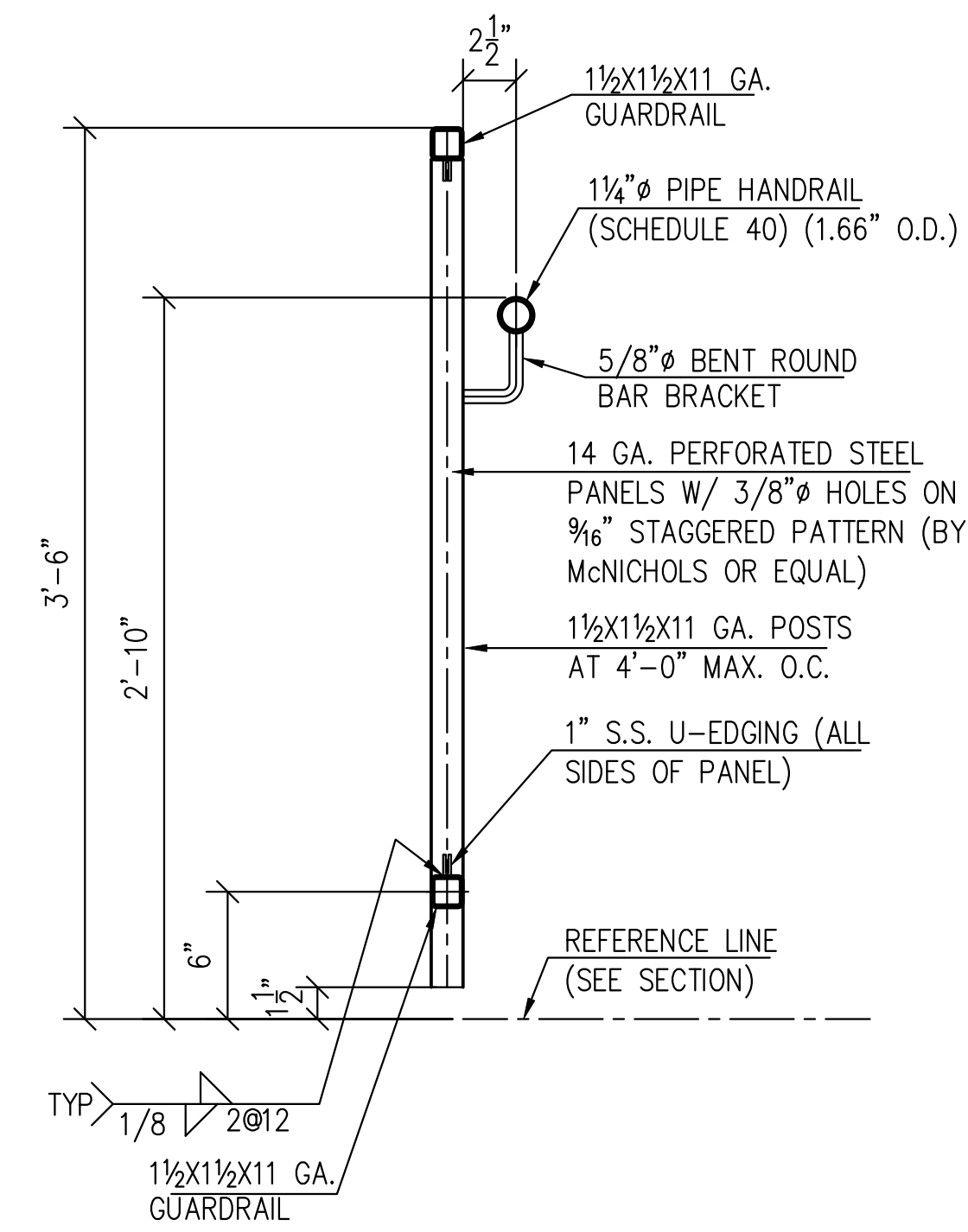
FOR APPROVAL:
12/16/2021

REFERENCE DESIGN DRAWINGS:
A202, A203, A603, S101, S102

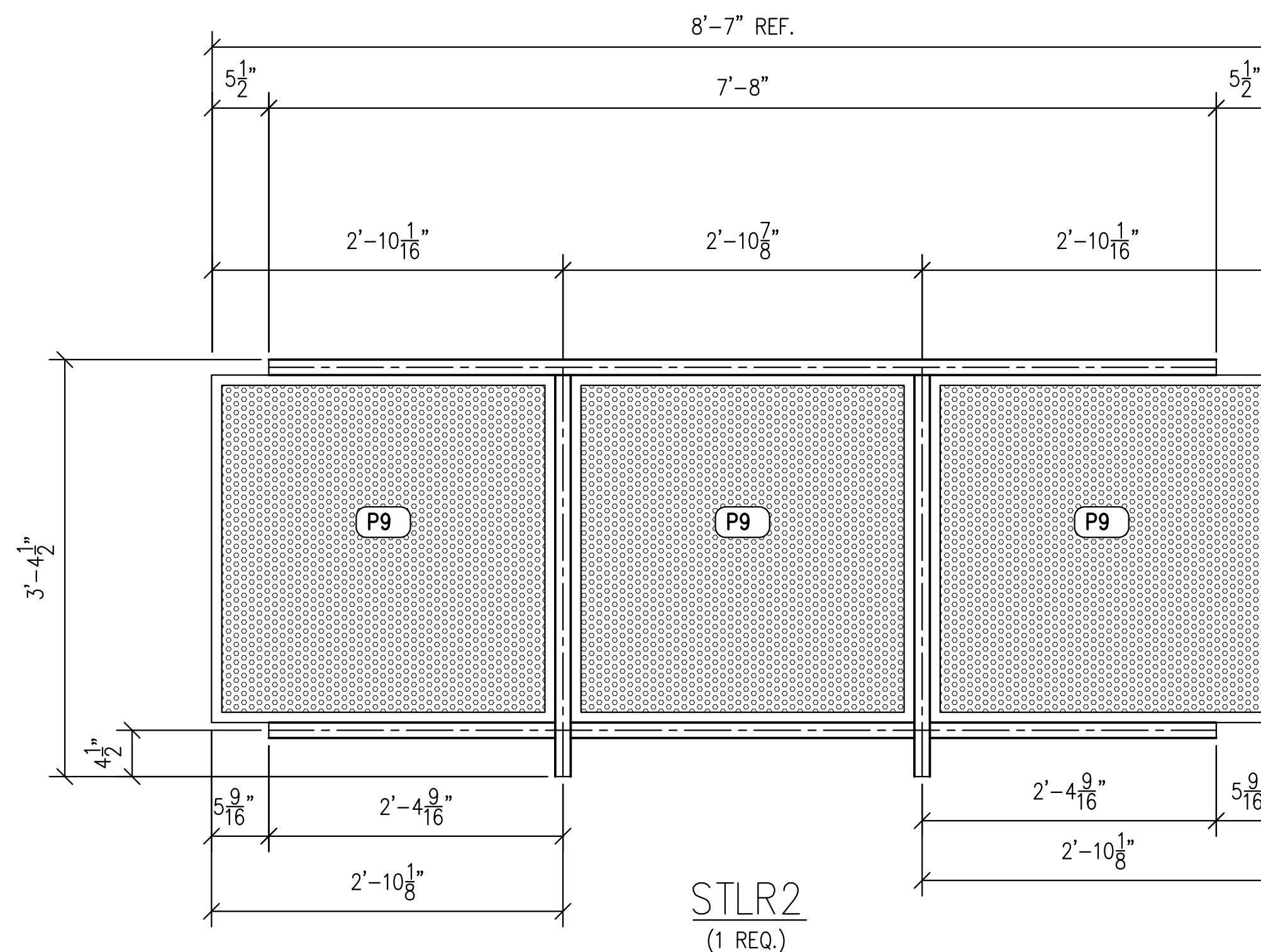
JOB NAME: BUTTERFLY NETWORK, INC.	ITEM NUMBER: --
JOB NUMBER: --	DATE: 10/12/2021
JOB LOCATION: BURLINGTON, MA	DETAILER: TS
GENERAL CONTRACTOR: --	DRAWING NO.: STK
ITEM DESCRIPTION: STAIR	



STLR1
(1 REQ.)



TYPICAL GUARDRAIL DETAIL
SCALE 1 1/2"=1'-0"



STLR2
(1 REQ.)

BILL OF MATERIALS					
REQ.	PC. MARK	SHAPE	LENGTH	REMARKS	
1	STLR1	GUARDRAIL ASSEMBLY	-'	-"	
1	GUARDRAIL	1 1/2 X 1 1/2 11 GA. TUBE	51	LF	
1	HANDRAIL	1 1/4\"	14	LF	
1	P4	14 GA. PERF. PANEL	4'	7 7/8\"	2'-6 3/4\" LG.
2	P5	14 GA. PERF. PANEL	4'	7 7/8\"	2'-11 3/4\" LG.
1	P6	14 GA. PERF. PANEL	2'	9 3/4\"	0'-7 1/2\" LG.
1	P7	14 GA. PERF. PANEL	3'	9\"	2'-9 3/4\" LG.
1	STLR2	GUARDRAIL ASSEMBLY	-'	-"	
1	GUARDRAIL	1 1/2 X 1 1/2 11 GA. TUBE	23	LF	
3	P9	14 GA. PERF. PANEL	2'	9 3/8\"	2'-9 3/4\" LG.

GENERAL NOTES:

- V.I.F. INDICATES DIMENSION TO BE VERIFIED IN FIELD
- F.V. INDICATES FIELD VERIFIED DIMENSION
- ALL CHANNELS, ANGLES, AND PLATES TO BE ASTM A36 U.O.N.
- ALL WIDE FLANGE SECTIONS TO BE ASTM A992 U.O.N.
- ALL HSS SECTIONS TO BE ASTM A500 GRADE C U.O.N.
- ALL PIPE TO BE ASTM A500 GRADE B U.O.N.
- ALL MECHANICAL TUBE TO BE ASTM A513 U.O.N.

REVISION	DESCRIPTION	DATE	BY
2	SHOP DRAWINGS FOR APPROVAL	12/16/2021	TS
1	SHOP DRAWINGS FOR FAB. & ERECTION	11/24/2021	TS
0	SHOP DRAWINGS FOR APPROVAL	10/28/2021	TS

WELDS: E70XX U.O.N. HOLES: 13/16\"

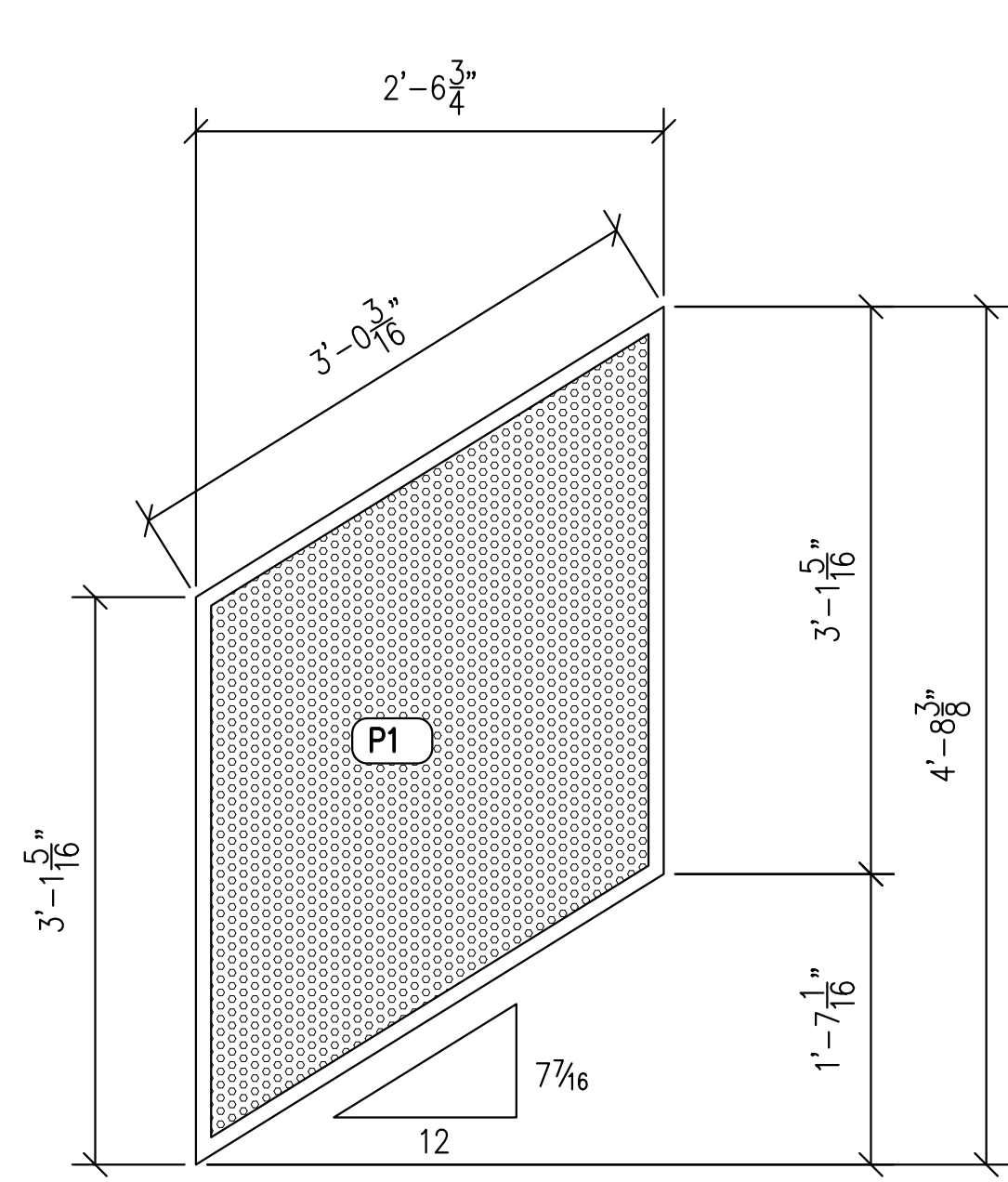
FINISH: ONE COAT SHOP PRIMER U.O.N.



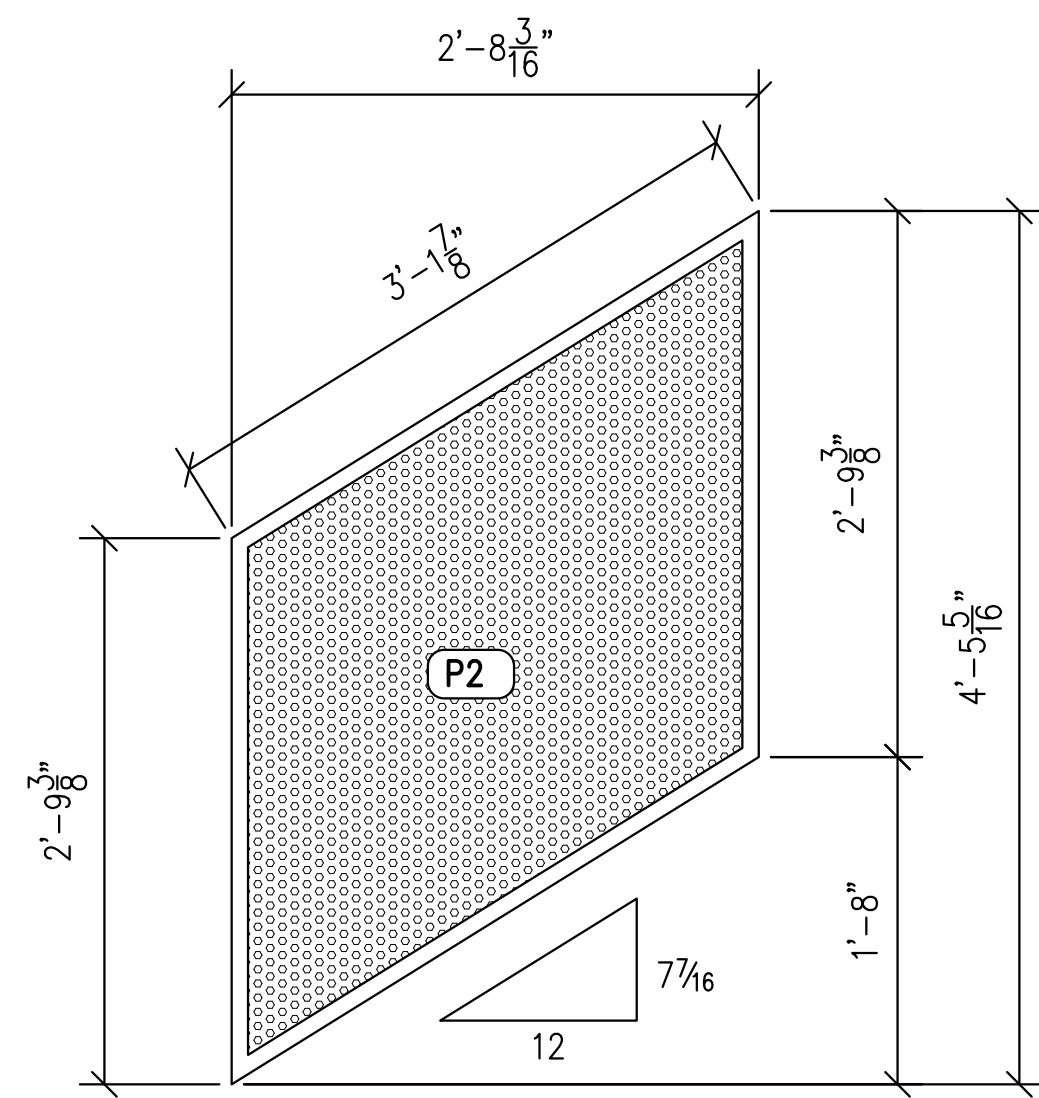
FOR APPROVAL:
12/16/2021

REFERENCE DESIGN DRAWINGS:
A202, A203, A603, S101, S102

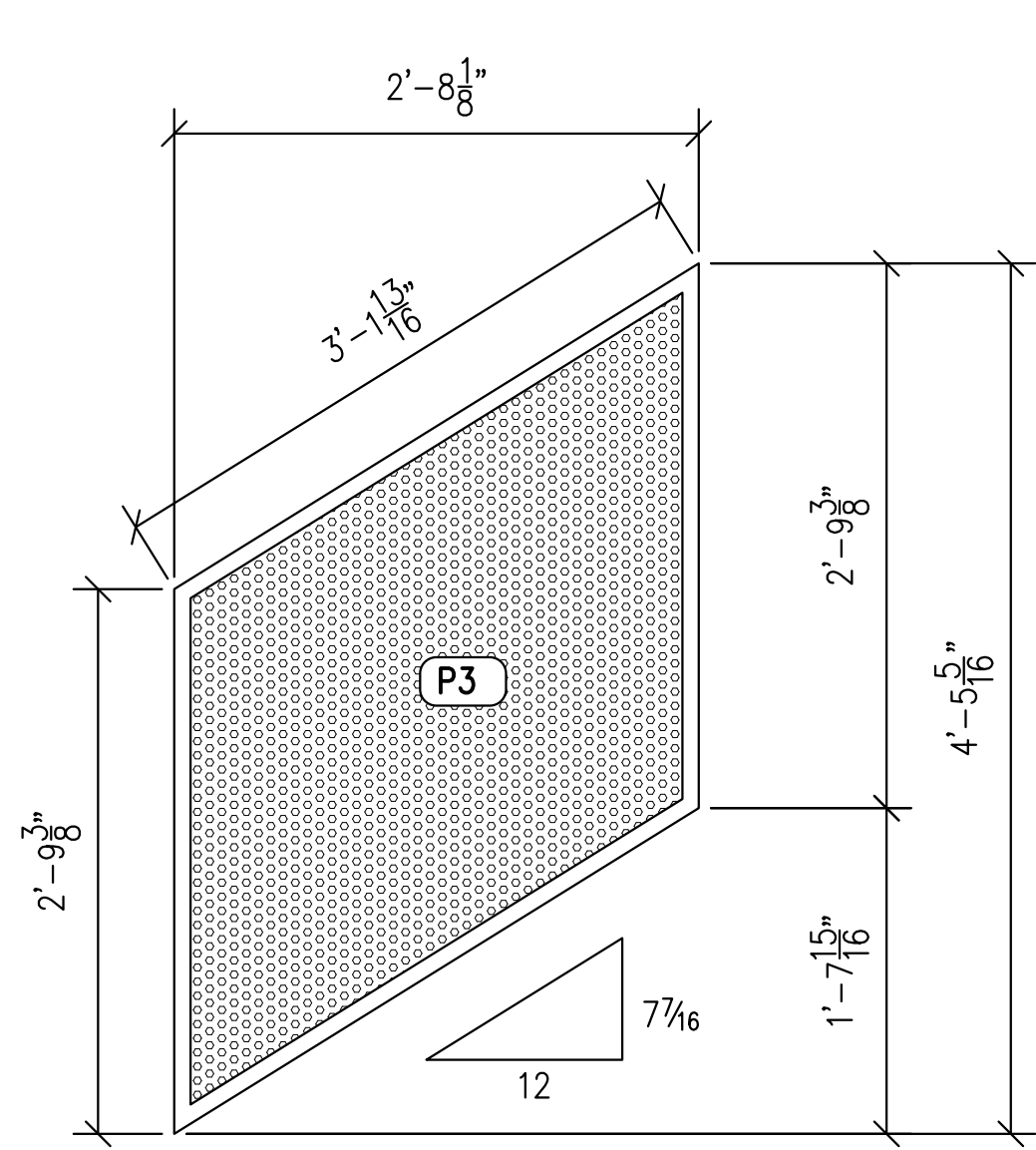
JOB NAME: BUTTERFLY NETWORK, INC.	ITEM NUMBER: -
JOB NUMBER: -	DATE: 10/12/2021
JOB LOCATION: BURLINGTON, MA	DETAILER: TS
GENERAL CONTRACTOR: -	ITEM DESCRIPTION: STAIR
DRAWING NO.: STL	



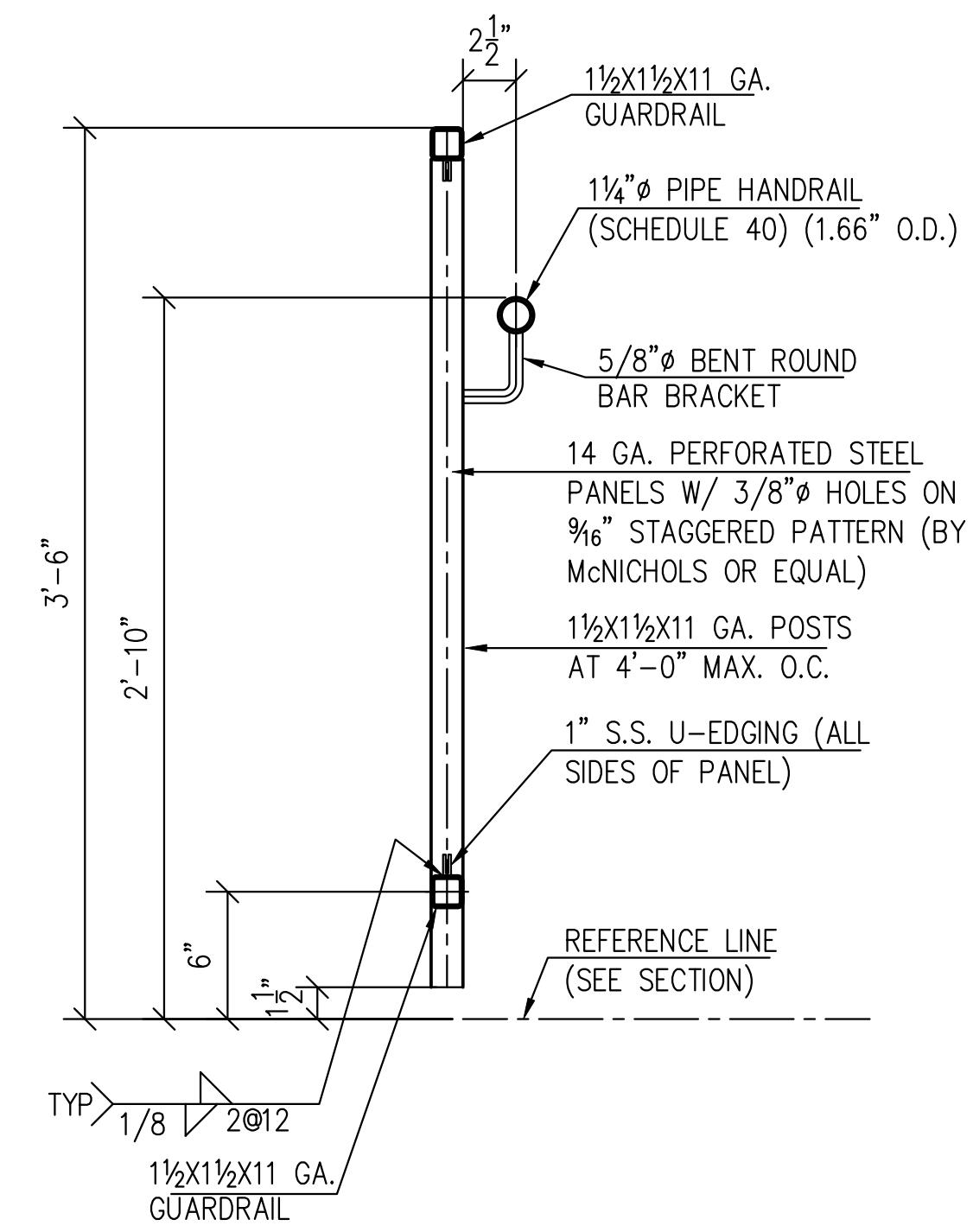
P1
(2 REQ.)



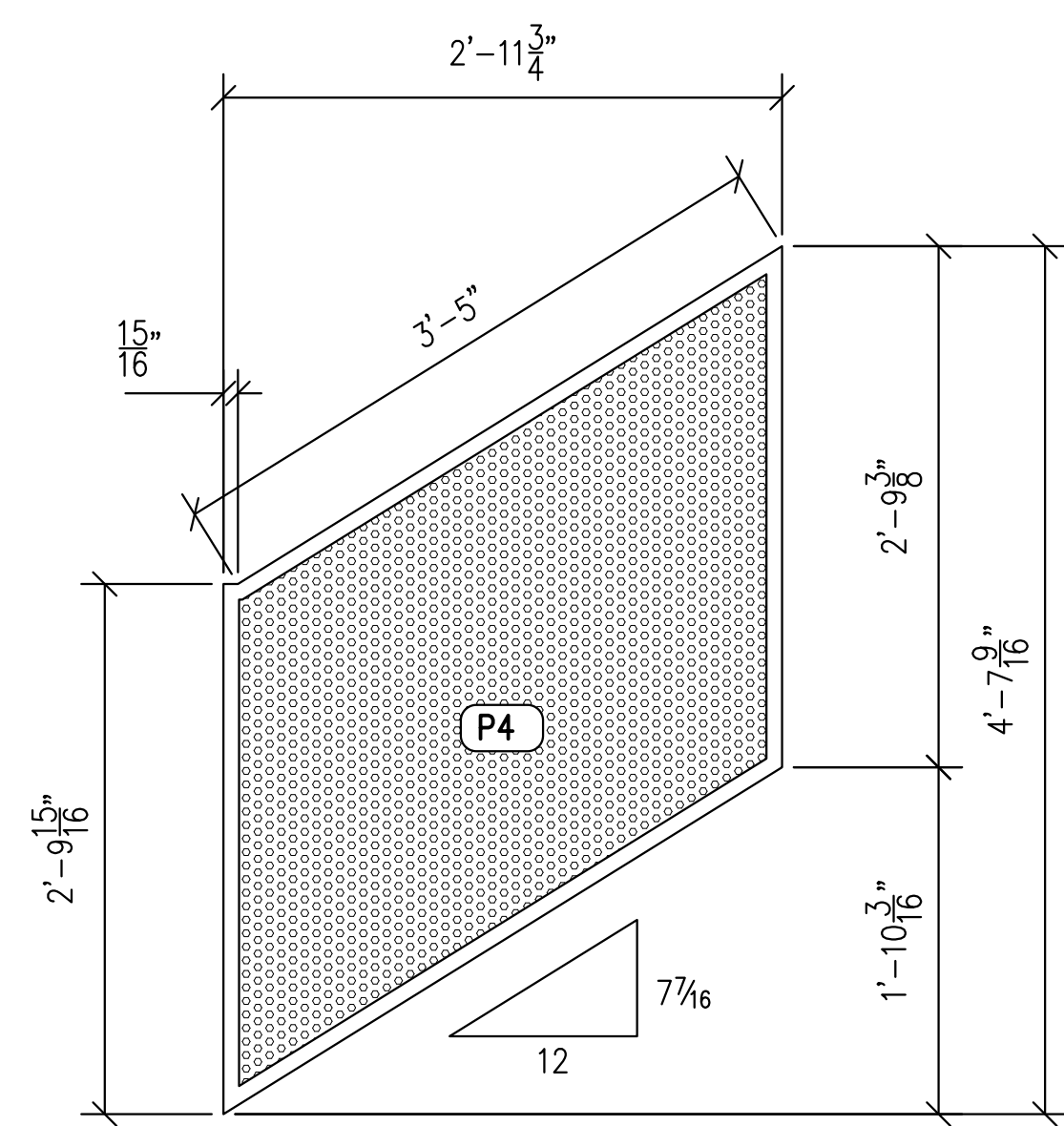
P2
(4 REQ.)



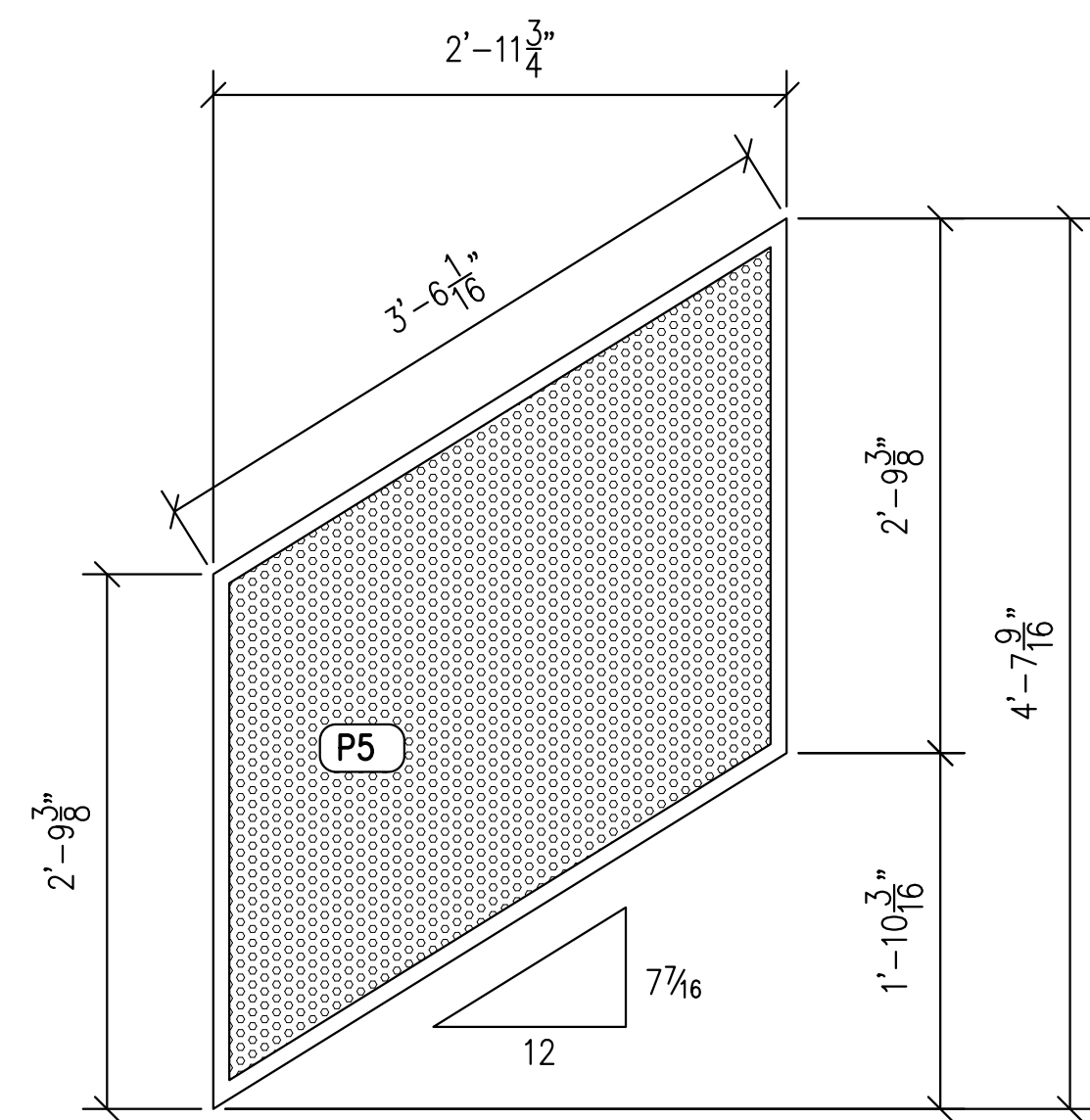
P3
(2 REQ.)



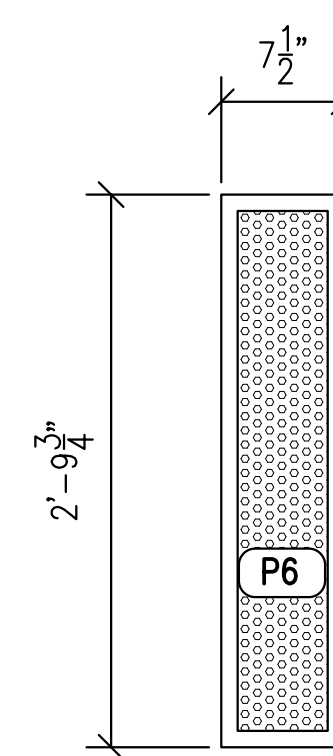
TYPICAL GUARDRAIL DETAIL
SCALE 1 1/2"=1'-0"



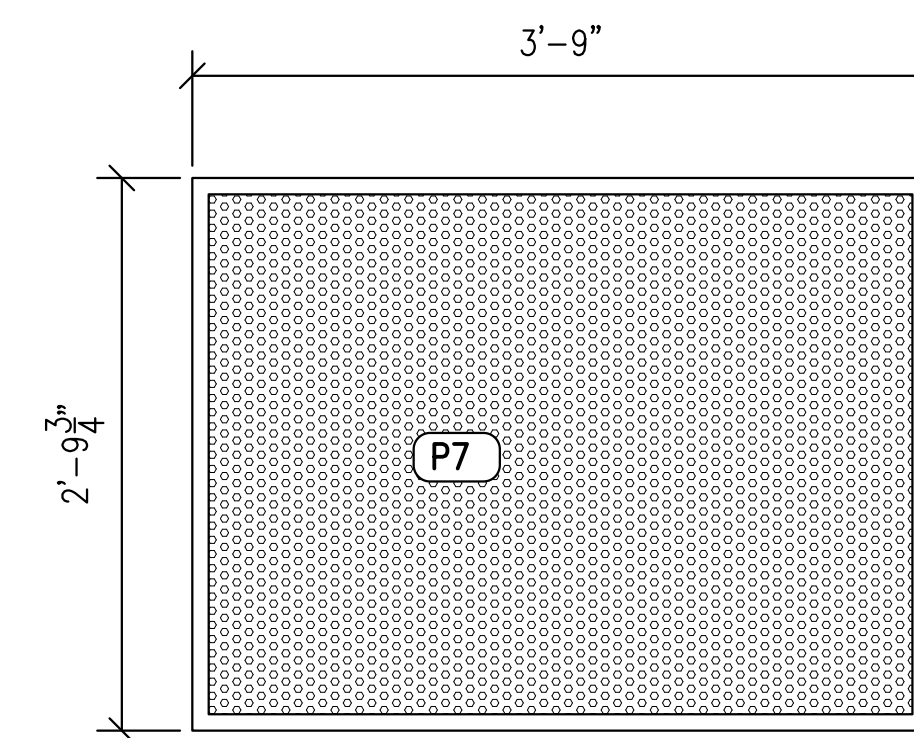
P4
(2 REQ.)



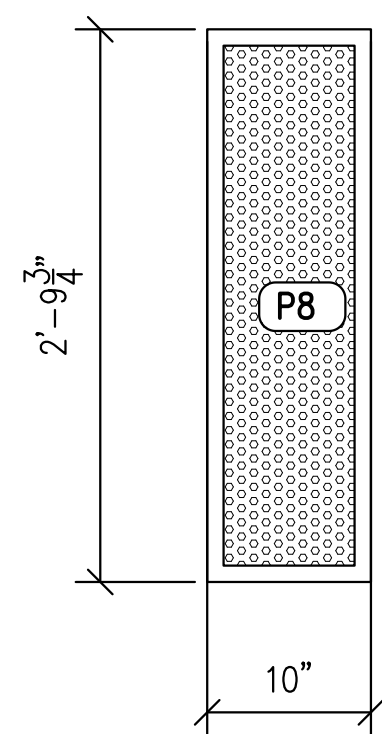
P5
(4 REQ.)



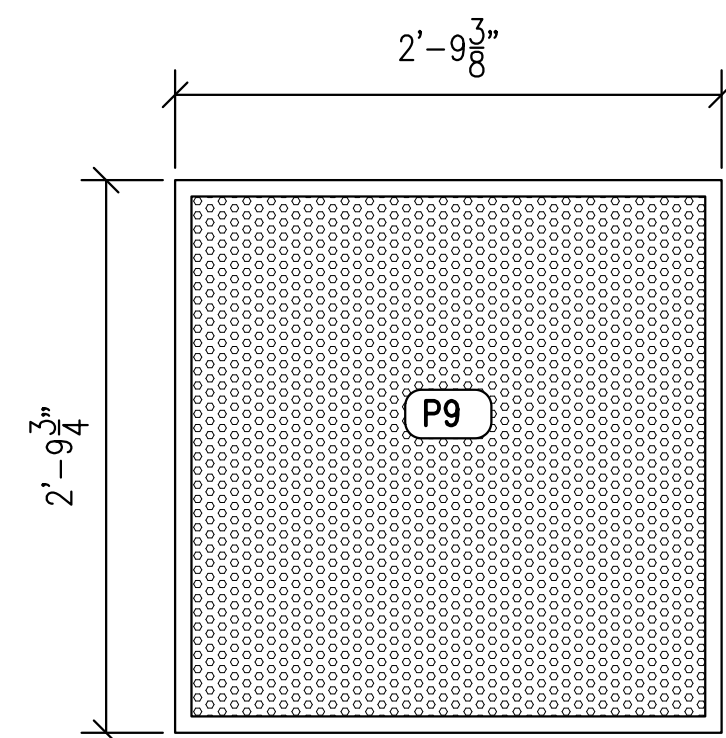
P6
(2 REQ.)



P7
(2 REQ.)



P8
(1 REQ.)



P9
(3 REQ.)

GENERAL NOTES:

1. V.I.F. INDICATES DIMENSION TO BE VERIFIED IN FIELD
2. F.V. INDICATES FIELD VERIFIED DIMENSION
3. ALL CHANNELS, ANGLES, AND PLATES TO BE ASTM A36 U.O.N.
4. ALL WIDE FLANGE SECTIONS TO BE ASTM A992 U.O.N.
5. ALL HSS SECTIONS TO BE ASTM A500 GRADE C U.O.N.
6. ALL PIPE TO BE ASTM A500 GRADE B U.O.N.
7. ALL MECHANICAL TUBE TO BE ASTM A513 U.O.N.

REVISION	DESCRIPTION	DATE	BY
2	SHOP DRAWINGS FOR APPROVAL	12/16/2021	TS
1	SHOP DRAWINGS FOR FAB. & ERECTION	11/24/2021	TS
0	SHOP DRAWINGS FOR APPROVAL	10/28/2021	TS

WELDS: E70XX U.O.N. HOLES: 13/16" Ø U.O.N.
FINISH: ONE COAT SHOP PRIMER U.O.N.



FOR APPROVAL:
12/16/2021

REFERENCE DESIGN DRAWINGS:
A202, A203, A603, S101, S102

JOB NAME: BUTTERFLY NETWORK, INC.	ITEM NUMBER: -
JOB NUMBER: -	DATE: 10/12/2021
JOB LOCATION: BURLINGTON, MA	DETAILER: TS
GENERAL CONTRACTOR: -	DRAWING NO.: STM
ITEM DESCRIPTION: STAIR	