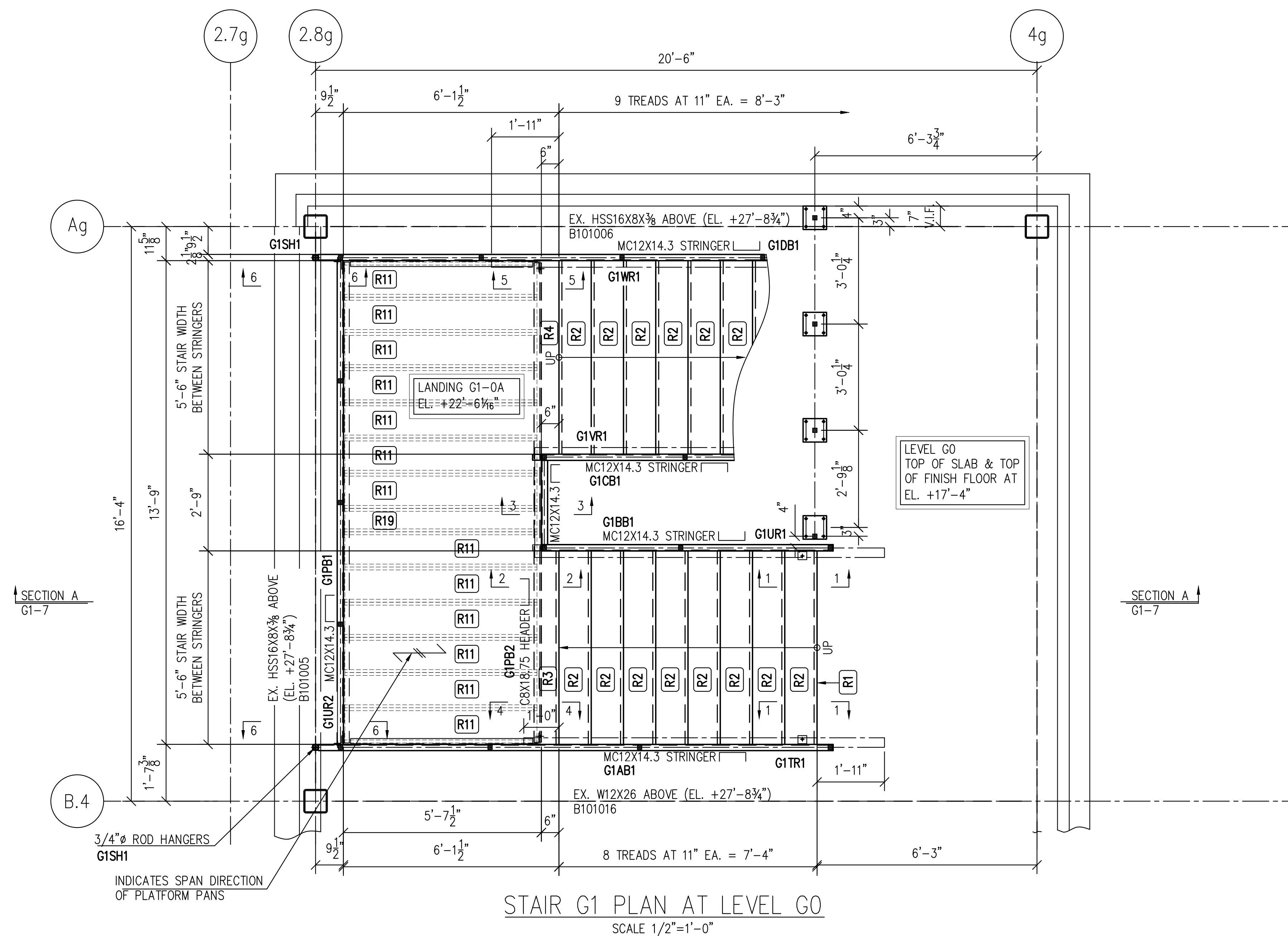


KEY PLAN

DETAIL KEY:
 G1-9: TYPICAL DETAILS
 G1-10: DETAILS 1-7
 G1-11: DETAILS 8-14
 G1-12: DETAILS 15-21



STAIR G1 PLAN AT LEVEL G0
 SCALE 1/2"=1'-0"

GENERAL NOTES:

1. V.I.F. INDICATES DIMENSION TO BE VERIFIED IN FIELD
2. F.V. INDICATES FIELD VERIFIED DIMENSION
3. ALL CHANNELS, ANGLES, AND PLATES TO BE ASTM A36 U.O.N.
4. ALL WIDE FLANGE SECTIONS TO BE ASTM A992 U.O.N.
5. ALL HSS SECTIONS TO BE ASTM A500 GRADE B U.O.N.
6. ALL PIPE TO BE ASTM A500 GRADE B U.O.N.
7. ALL MECHANICAL TUBE TO BE ASTM A513 U.O.N.

REVISION	DESCRIPTION	DATE	BY
5	SHOP DRAWINGS FOR FAB. & ERECTION	9/6/2022	TS
4	SHOP DRAWINGS FOR FAB. & ERECTION	8/29/2022	TS
3	SHOP DRAWINGS FOR APPROVAL	8/17/2022	TS
2	SHOP DRAWINGS FOR APPROVAL	8/4/2022	TS
1	SHOP DRAWINGS FOR COORDINATION	8/1/2022	TS
0	SHOP DRAWINGS FOR APPROVAL	7/15/2022	TS

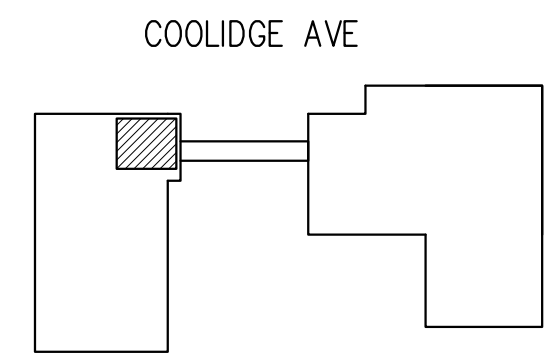
WELDS: E70XX U.O.N. HOLES: 1/16" Ø U.O.N.
 FINISH: ONE COAT SHOP PRIMER U.O.N.



FOR FAB. & ERECTION:
 9/6/2022

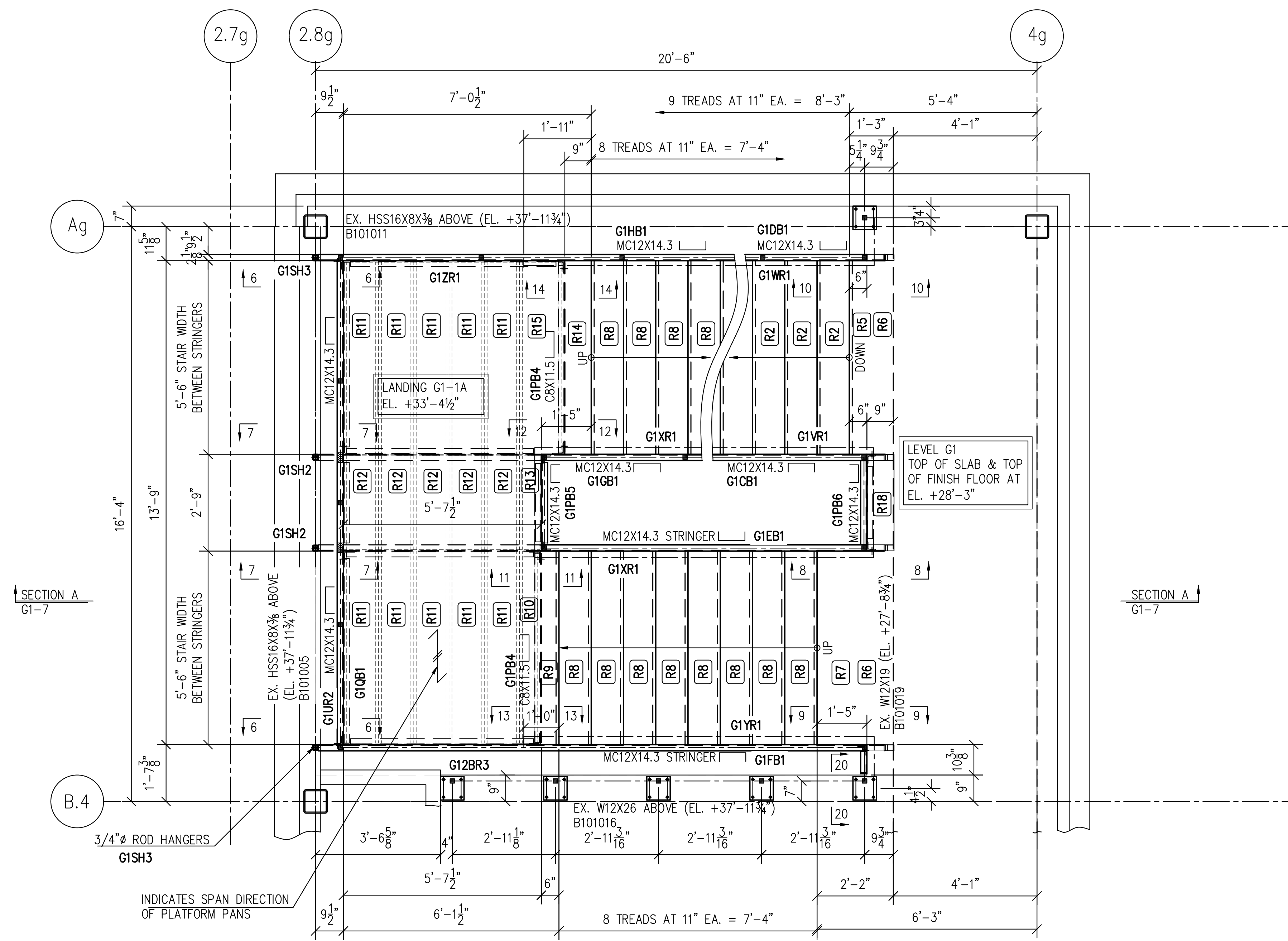
REFERENCE DESIGN DRAWINGS:
 A121, A362, A655, A656, S111

JOB NAME:	ITEM NUMBER: -
JOB NUMBER: -	DATE: 7/14/2022
JOB LOCATION: CAMBRIDGE, MA	DETAILER: TS
GENERAL CONTRACTOR:	ITEM DESCRIPTION: GARAGE STAIR G1
DRAWING NO.: G1-1	



KEY PLAN
= AREA OF WORK
N

DETAIL KEY:
G1-9: TYPICAL DETAILS
G1-10: DETAILS 1-7
G1-11: DETAILS 8-14
G1-12: DETAILS 15-21



STAIR G1 PLAN AT LEVEL G1
SCALE 1/2"=1'-0"

GENERAL NOTES:

- V.I.F. INDICATES DIMENSION TO BE VERIFIED IN FIELD
- F.V. INDICATES FIELD VERIFIED DIMENSION
- ALL CHANNELS, ANGLES, AND PLATES TO BE ASTM A36 U.O.N.
- ALL WIDE FLANGE SECTIONS TO BE ASTM A992 U.O.N.
- ALL HSS SECTIONS TO BE ASTM A500 GRADE B U.O.N.
- ALL PIPE TO BE ASTM A500 GRADE B U.O.N.
- ALL MECHANICAL TUBE TO BE ASTM A513 U.O.N.

REVISION	DESCRIPTION	DATE	BY
5	SHOP DRAWINGS FOR FAB. & ERECTION	9/6/2022	TS
4	SHOP DRAWINGS FOR FAB. & ERECTION	8/29/2022	TS
3	SHOP DRAWINGS FOR APPROVAL	8/17/2022	TS
2	SHOP DRAWINGS FOR APPROVAL	8/4/2022	TS
1	SHOP DRAWINGS FOR COORDINATION	8/1/2022	TS
0	SHOP DRAWINGS FOR APPROVAL	7/15/2022	TS

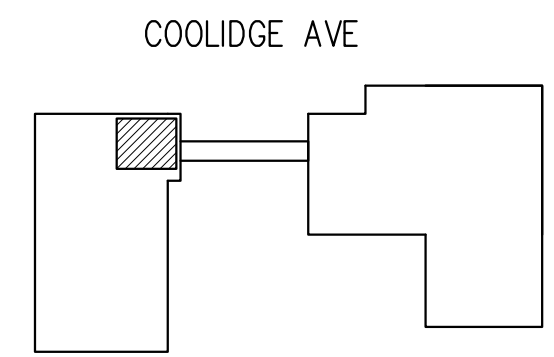
WELDS: E70XX U.O.N. HOLES: 1/16" Ø U.O.N.
FINISH: ONE COAT SHOP PRIMER U.O.N.



FOR FAB. & ERECTION:
9/6/2022

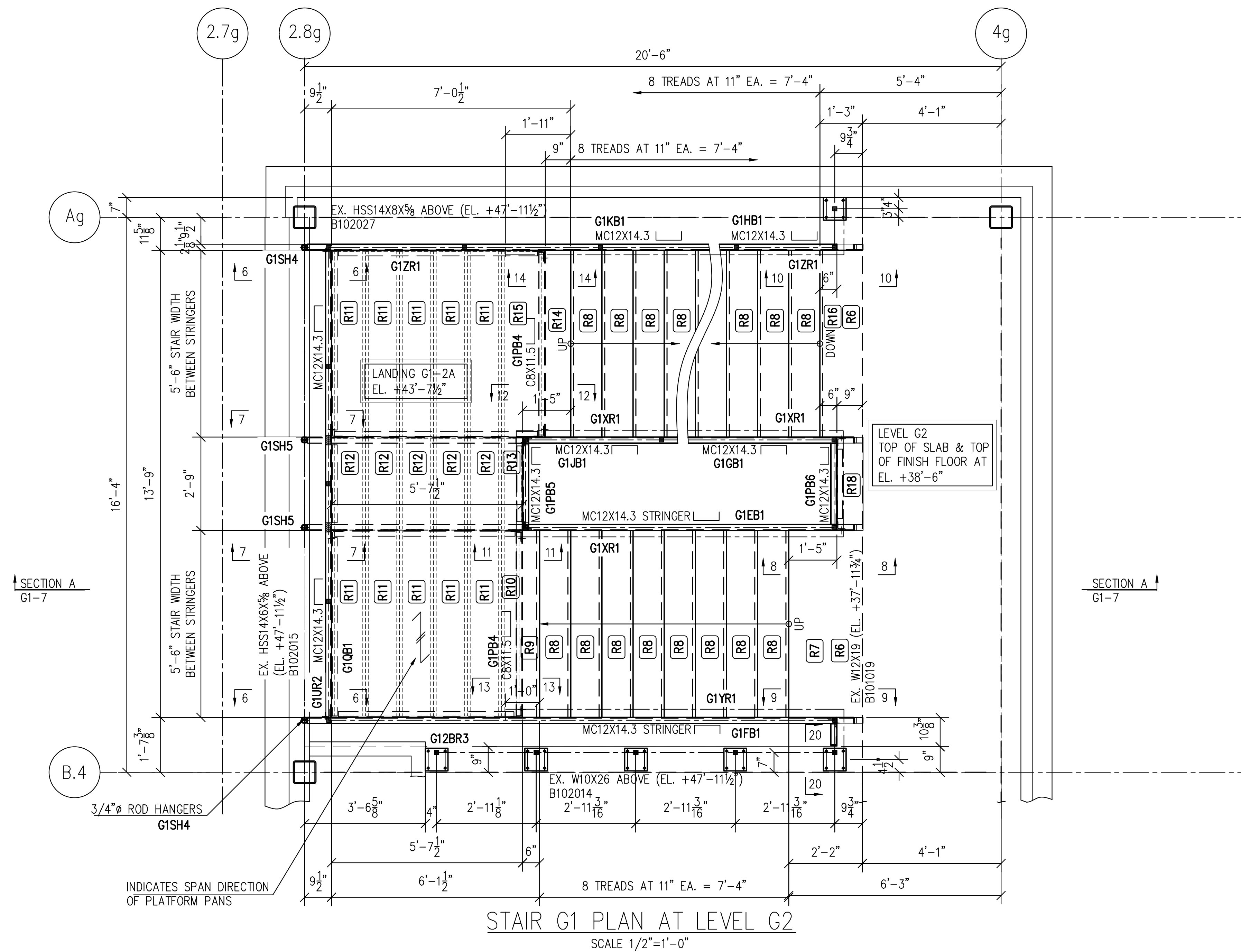
REFERENCE DESIGN DRAWINGS:
A121, A362, A655, A656, S111

JOB NAME:	ITEM NUMBER: -
JOB NUMBER: -	DATE: 7/14/2022
JOB LOCATION: CAMBRIDGE, MA	DETAILER: TS
GENERAL CONTRACTOR:	DRAWING NO.: G1-2



KEY PLAN

DETAIL KEY:
 G1-9: TYPICAL DETAILS
 G1-10: DETAILS 1-7
 G1-11: DETAILS 8-14
 G1-12: DETAILS 15-21



STAIR G1 PLAN AT LEVEL G2
 SCALE 1/2"=1'-0"

GENERAL NOTES:

1. V.I.F. INDICATES DIMENSION TO BE VERIFIED IN FIELD
2. F.V. INDICATES FIELD VERIFIED DIMENSION
3. ALL CHANNELS, ANGLES, AND PLATES TO BE ASTM A36 U.O.N.
4. ALL WIDE FLANGE SECTIONS TO BE ASTM A992 U.O.N.
5. ALL HSS SECTIONS TO BE ASTM A500 GRADE B U.O.N.
6. ALL PIPE TO BE ASTM A500 GRADE B U.O.N.
7. ALL MECHANICAL TUBE TO BE ASTM A513 U.O.N.

REVISION	DESCRIPTION	DATE	BY
5	SHOP DRAWINGS FOR FAB. & ERECTION	9/6/2022	TS
4	SHOP DRAWINGS FOR FAB. & ERECTION	8/29/2022	TS
3	SHOP DRAWINGS FOR APPROVAL	8/17/2022	TS
2	SHOP DRAWINGS FOR APPROVAL	8/4/2022	TS
1	SHOP DRAWINGS FOR COORDINATION	8/1/2022	TS
0	SHOP DRAWINGS FOR APPROVAL	7/15/2022	TS

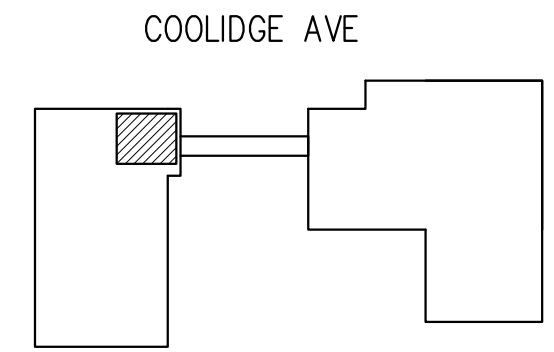
WELDS: E70XX U.O.N. HOLES: 1/16" Ø U.O.N.
 FINISH: ONE COAT SHOP PRIMER U.O.N.



FOR FAB. & ERECTION:
 9/6/2022

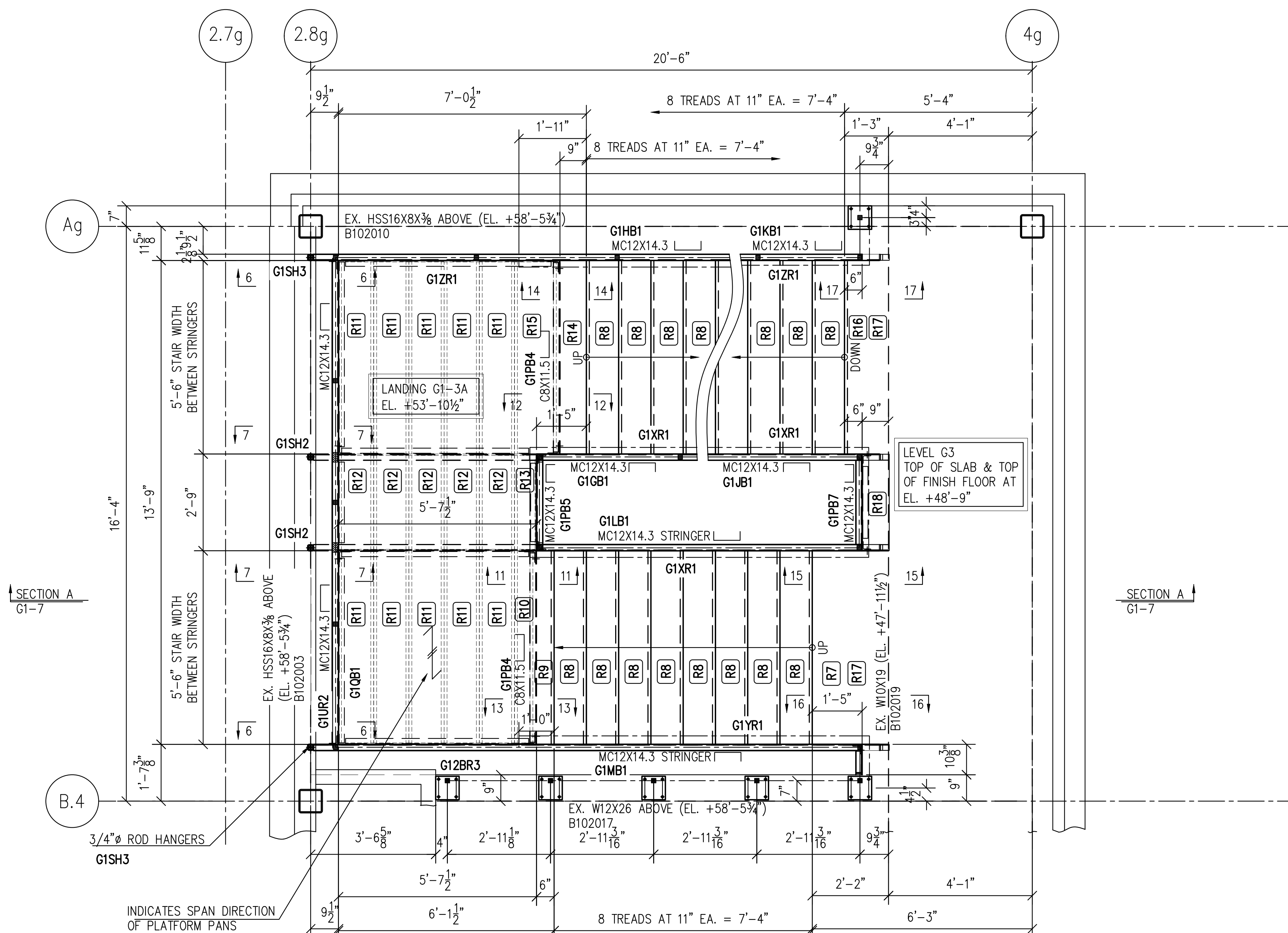
REFERENCE DESIGN DRAWINGS:
 A121, A362, A655, A656, S111

JOB NAME:	ITEM NUMBER: -
JOB NUMBER: -	DATE: 7/14/2022
JOB LOCATION: CAMBRIDGE, MA	DETAILER: TS
GENERAL CONTRACTOR:	ITEM DESCRIPTION: GARAGE STAIR G1
DRAWING NO.: G1-3	



KEY PLAN
N

DETAIL KEY:
G1-9: TYPICAL DETAILS
G1-10: DETAILS 1-7
G1-11: DETAILS 8-14
G1-12: DETAILS 15-21



STAIR G1 PLAN AT LEVEL G3
SCALE 1/2"=1'-0"

GENERAL NOTES:

1. V.I.F. INDICATES DIMENSION TO BE VERIFIED IN FIELD
2. F.V. INDICATES FIELD VERIFIED DIMENSION
3. ALL CHANNELS, ANGLES, AND PLATES TO BE ASTM A36 U.O.N.
4. ALL WIDE FLANGE SECTIONS TO BE ASTM A992 U.O.N.
5. ALL HSS SECTIONS TO BE ASTM A500 GRADE B U.O.N.
6. ALL PIPE TO BE ASTM A500 GRADE B U.O.N.
7. ALL MECHANICAL TUBE TO BE ASTM A513 U.O.N.

REVISION	DESCRIPTION	DATE	BY
5	SHOP DRAWINGS FOR FAB. & ERECTION	9/6/2022	TS
4	SHOP DRAWINGS FOR FAB. & ERECTION	8/29/2022	TS
3	SHOP DRAWINGS FOR APPROVAL	8/17/2022	TS
2	SHOP DRAWINGS FOR APPROVAL	8/4/2022	TS
1	SHOP DRAWINGS FOR COORDINATION	8/1/2022	TS
0	SHOP DRAWINGS FOR APPROVAL	7/15/2022	TS

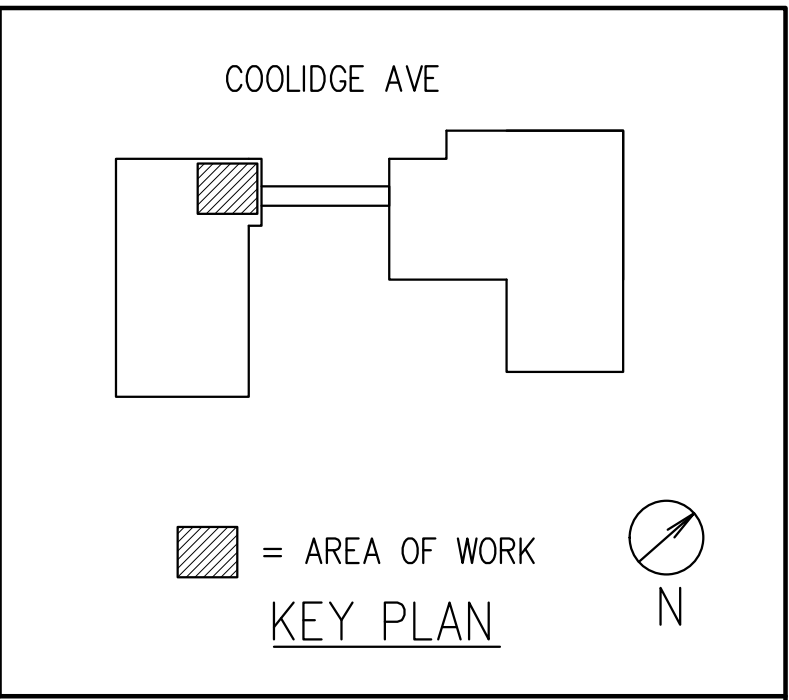
WELDS: E70XX U.O.N. HOLES: 1/16" Ø U.O.N.
FINISH: ONE COAT SHOP PRIMER U.O.N.



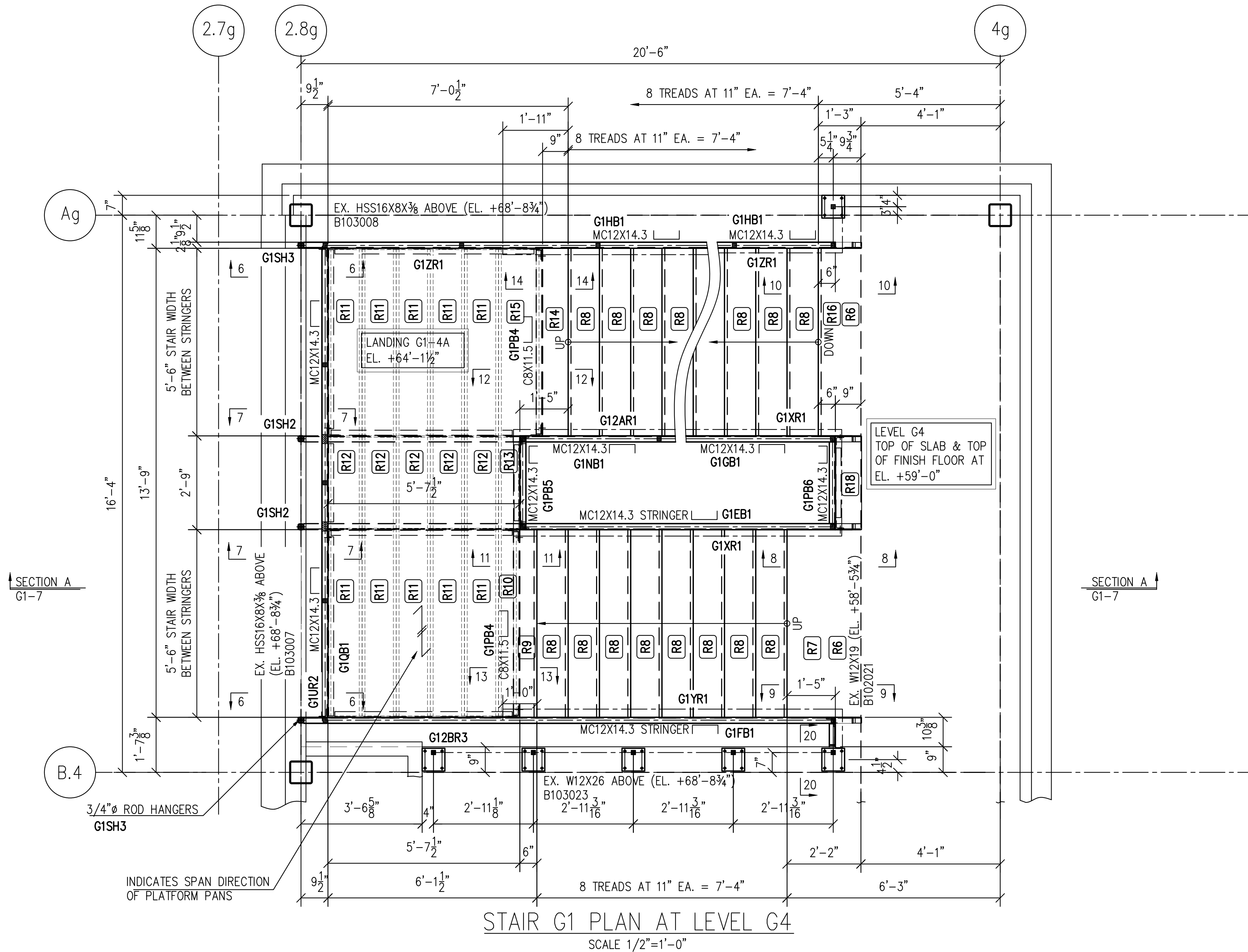
FOR FAB. & ERECTION:
9/6/2022

REFERENCE DESIGN DRAWINGS:
A121, A362, A655, A656, S111

JOB NAME:	ITEM NUMBER: -
JOB NUMBER: -	DATE: 7/14/2022
JOB LOCATION: CAMBRIDGE, MA	DETAILER: TS
GENERAL CONTRACTOR:	ITEM DESCRIPTION: GARAGE STAIR G1
DRAWING NO.: G1-4	



DETAIL KEY:
 G1-9: TYPICAL DETAILS
 G1-10: DETAILS 1-7
 G1-11: DETAILS 8-14
 G1-12: DETAILS 15-21



- GENERAL NOTES:**
1. V.I.F. INDICATES DIMENSION TO BE VERIFIED IN FIELD
 2. F.V. INDICATES FIELD VERIFIED DIMENSION
 3. ALL CHANNELS, ANGLES, AND PLATES TO BE ASTM A36 U.O.N.
 4. ALL WIDE FLANGE SECTIONS TO BE ASTM A992 U.O.N.
 5. ALL HSS SECTIONS TO BE ASTM A500 GRADE B U.O.N.
 6. ALL PIPE TO BE ASTM A500 GRADE B U.O.N.
 7. ALL MECHANICAL TUBE TO BE ASTM A513 U.O.N.

REVISION	DESCRIPTION	DATE	BY
5	SHOP DRAWINGS FOR FAB. & ERECTION	9/6/2022	TS
4	SHOP DRAWINGS FOR FAB. & ERECTION	8/29/2022	TS
3	SHOP DRAWINGS FOR APPROVAL	8/17/2022	TS
2	SHOP DRAWINGS FOR APPROVAL	8/4/2022	TS
1	SHOP DRAWINGS FOR COORDINATION	8/1/2022	TS
0	SHOP DRAWINGS FOR APPROVAL	7/15/2022	TS

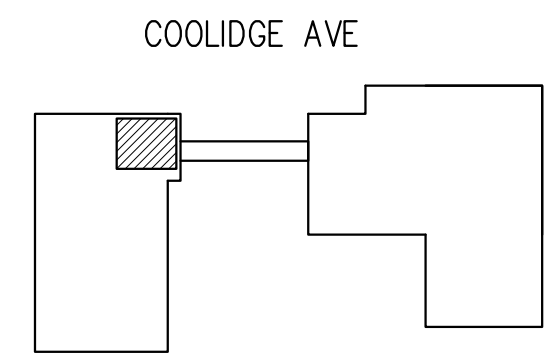
WELDS: E70XX U.O.N. HOLES: 1/16" Ø U.O.N.
 FINISH: ONE COAT SHOP PRIMER U.O.N.



FOR FAB. & ERECTION:
9/6/2022

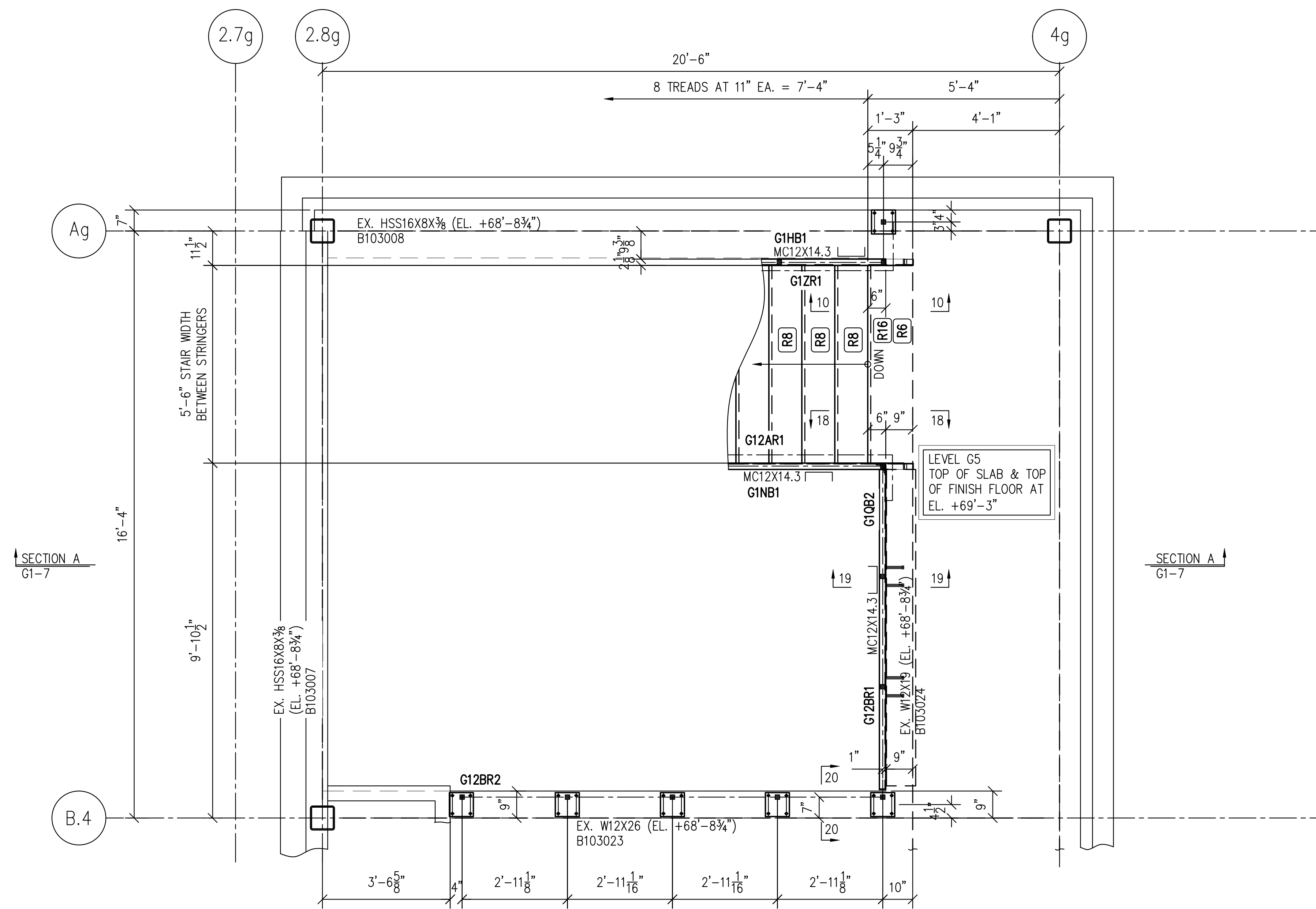
REFERENCE DESIGN DRAWINGS:
A121, A362, A655, A656, S111

JOB NAME:	ITEM NUMBER: -
JOB NUMBER: -	DATE: 7/14/2022
JOB LOCATION: CAMBRIDGE, MA	DETAILER: TS
GENERAL CONTRACTOR:	DRAWING NO.: G1-5
ITEM DESCRIPTION: GARAGE STAIR G1	



KEY PLAN

DETAIL KEY:
 G1-9: TYPICAL DETAILS
 G1-10: DETAILS 1-7
 G1-11: DETAILS 8-14
 G1-12: DETAILS 15-21



STAIR G1 PLAN AT LEVEL G5
 SCALE 1/2"=1'-0"

GENERAL NOTES:

1. V.I.F. INDICATES DIMENSION TO BE VERIFIED IN FIELD
2. F.V. INDICATES FIELD VERIFIED DIMENSION
3. ALL CHANNELS, ANGLES, AND PLATES TO BE ASTM A36 U.O.N.
4. ALL WIDE FLANGE SECTIONS TO BE ASTM A992 U.O.N.
5. ALL HSS SECTIONS TO BE ASTM A500 GRADE B U.O.N.
6. ALL PIPE TO BE ASTM A500 GRADE B U.O.N.
7. ALL MECHANICAL TUBE TO BE ASTM A513 U.O.N.

REVISION	DESCRIPTION	DATE	BY
5	SHOP DRAWINGS FOR FAB. & ERECTION	9/6/2022	TS
4	SHOP DRAWINGS FOR FAB. & ERECTION	8/29/2022	TS
3	SHOP DRAWINGS FOR APPROVAL	8/17/2022	TS
2	SHOP DRAWINGS FOR APPROVAL	8/4/2022	TS
1	SHOP DRAWINGS FOR COORDINATION	8/1/2022	TS
0	SHOP DRAWINGS FOR APPROVAL	7/15/2022	TS

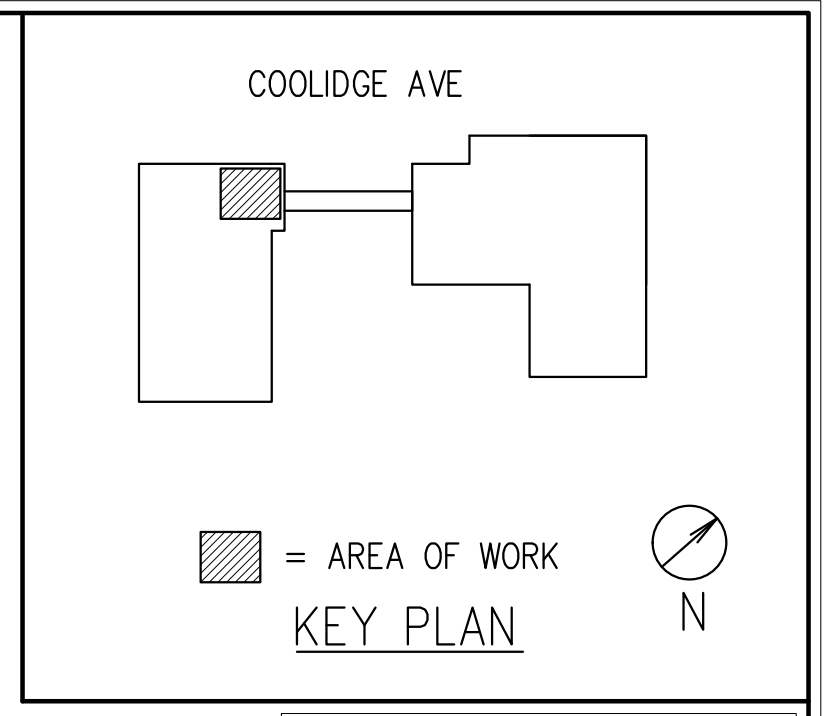
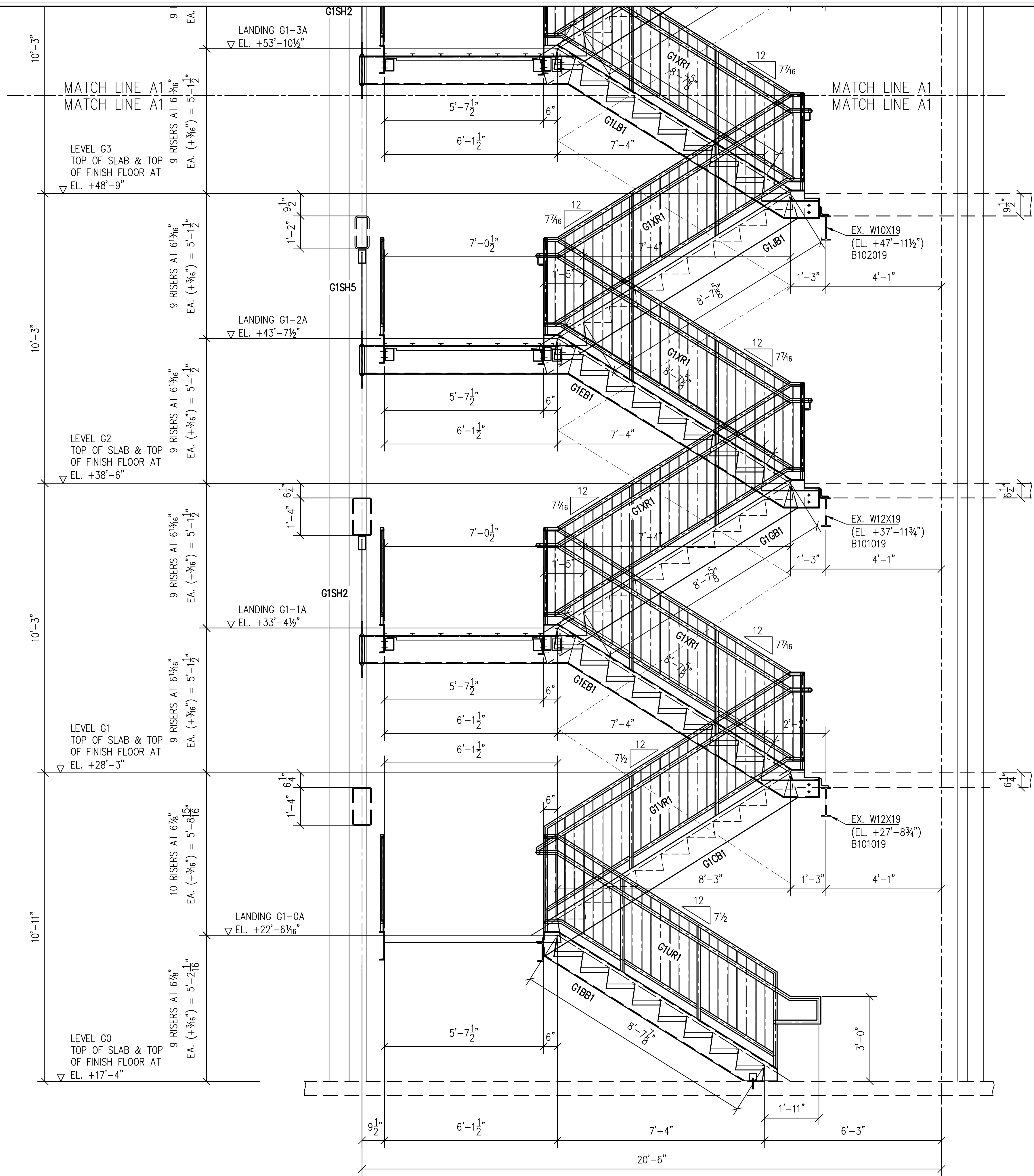
WELDS: E70XX U.O.N. HOLES: 1/16" Ø U.O.N.
 FINISH: ONE COAT SHOP PRIMER U.O.N.



FOR FAB. & ERECTION:
 9/6/2022

REFERENCE DESIGN DRAWINGS:
 A121, A362, A655, A656, S111

JOB NAME:	ITEM NUMBER: -
JOB NUMBER: -	DATE: 7/14/2022
JOB LOCATION: CAMBRIDGE, MA	DETAILER: TS
GENERAL CONTRACTOR:	DRAWING NO.: G1-6
ITEM DESCRIPTION: GARAGE STAIR G1	



DETAIL KEY:
G1-9: TYPICAL DETAILS
G1-10: DETAILS 1-7
G1-11: DETAILS 8-14
G1-12: DETAILS 15-21

- GENERAL NOTES:
1. V.I.F. INDICATES DIMENSION TO BE VERIFIED IN FIELD
 2. F.V. INDICATES FIELD VERIFIED DIMENSION
 3. ALL CHANNELS, ANGLES, AND PLATES TO BE ASTM A36 U.O.N.
 4. ALL WIDE FLANGE SECTIONS TO BE ASTM A992 U.O.N.
 5. ALL HSS SECTIONS TO BE ASTM A500 GRADE B U.O.N.
 6. ALL PIPE TO BE ASTM A500 GRADE B U.O.N.
 7. ALL MECHANICAL TUBE TO BE ASTM A513 U.O.N.

REVISION	DESCRIPTION	DATE	BY
5	SHOP DRAWINGS FOR FAB. & ERECTION	9/6/2022	TS
4	SHOP DRAWINGS FOR FAB. & ERECTION	8/29/2022	TS
3	SHOP DRAWINGS FOR APPROVAL	8/17/2022	TS
2	SHOP DRAWINGS FOR APPROVAL	8/4/2022	TS
1	SHOP DRAWINGS FOR COORDINATION	8/1/2022	TS
0	SHOP DRAWINGS FOR APPROVAL	7/15/2022	TS

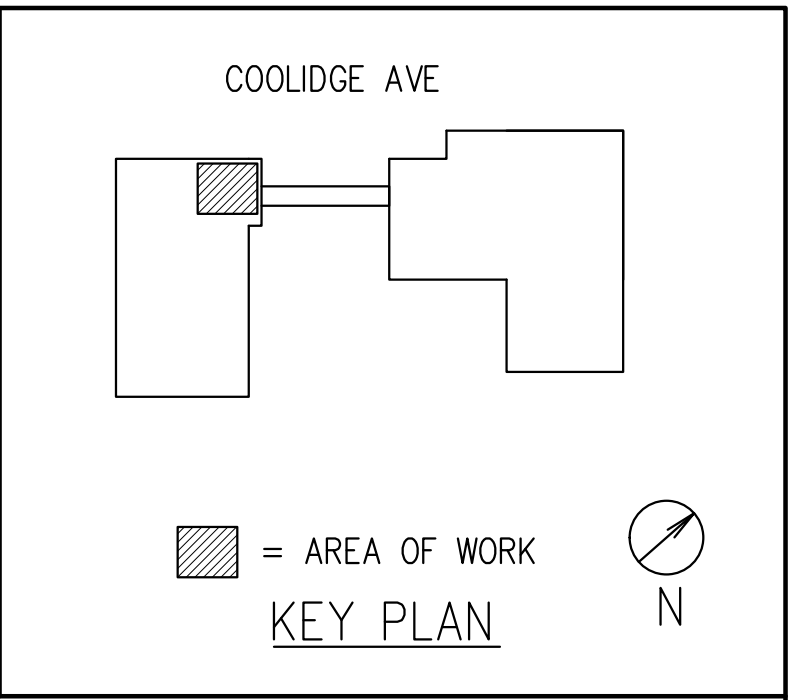
WELDS: E70XX U.O.N. HOLES: 1/16" Ø U.O.N.
FINISH: ONE COAT SHOP PRIMER U.O.N.



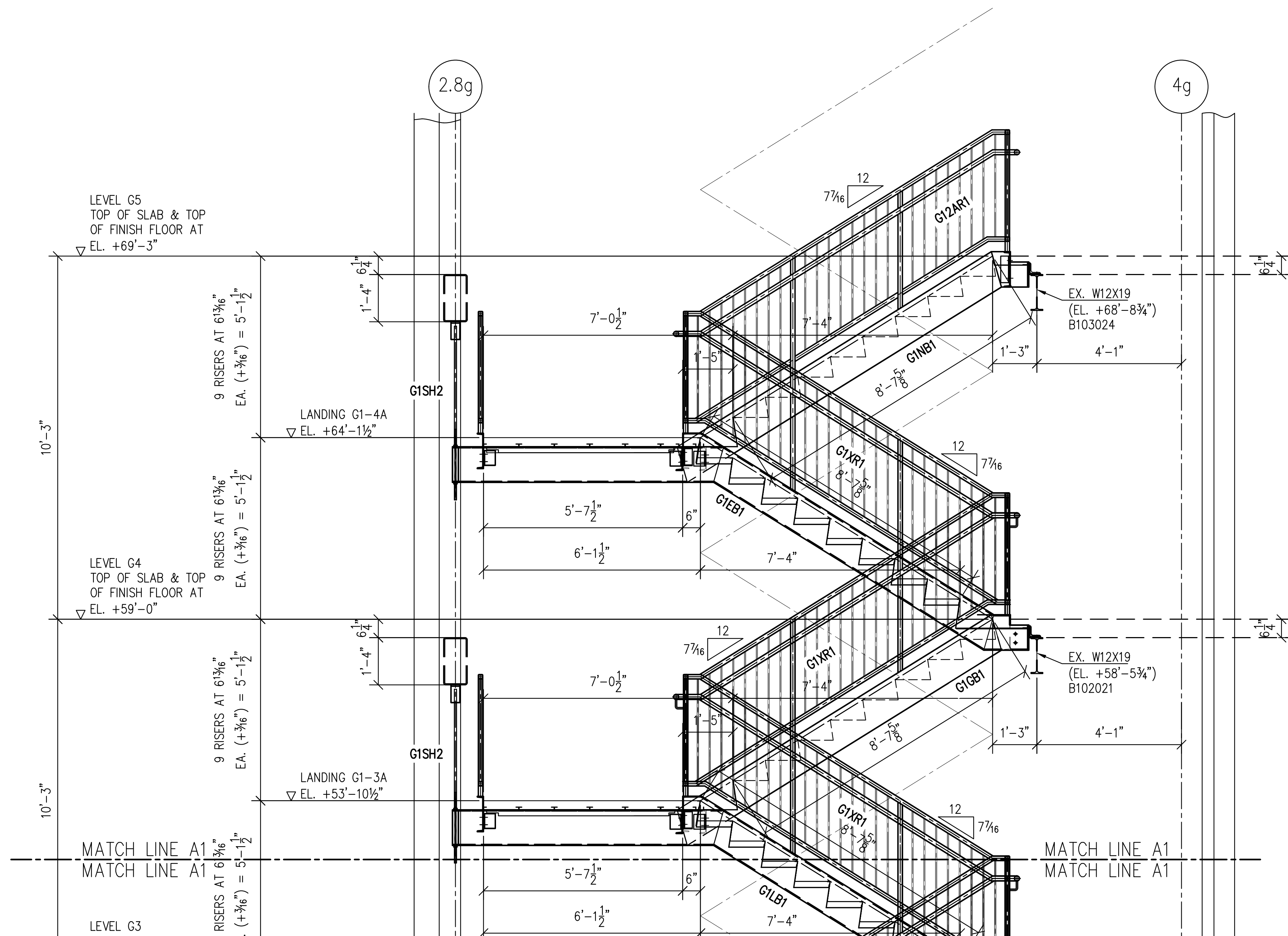
FOR FAB. & ERECTION:
9/6/2022

REFERENCE DESIGN DRAWINGS:
A121, A362, A655, A656, S111

JOB NAME:	ITEM NUMBER: -
JOB NUMBER: -	DATE: 7/14/2022
JOB LOCATION: CAMBRIDGE, MA	DETAILER: TS
GENERAL CONTRACTOR:	DRAWING NO.: G1-7
ITEM DESCRIPTION: GARAGE STAIR G1	



DETAIL KEY:
 G1-9: TYPICAL DETAILS
 G1-10: DETAILS 1-7
 G1-11: DETAILS 8-14
 G1-12: DETAILS 15-21



GENERAL NOTES:

1. V.I.F. INDICATES DIMENSION TO BE VERIFIED IN FIELD
2. F.V. INDICATES FIELD VERIFIED DIMENSION
3. ALL CHANNELS, ANGLES, AND PLATES TO BE ASTM A36 U.O.N.
4. ALL WIDE FLANGE SECTIONS TO BE ASTM A992 U.O.N.
5. ALL HSS SECTIONS TO BE ASTM A500 GRADE B U.O.N.
6. ALL PIPE TO BE ASTM A500 GRADE B U.O.N.
7. ALL MECHANICAL TUBE TO BE ASTM A513 U.O.N.

REVISION	DESCRIPTION	DATE	BY
5	SHOP DRAWINGS FOR FAB. & ERECTION	9/6/2022	TS
4	SHOP DRAWINGS FOR FAB. & ERECTION	8/29/2022	TS
3	SHOP DRAWINGS FOR APPROVAL	8/17/2022	TS
2	SHOP DRAWINGS FOR APPROVAL	8/4/2022	TS
1	SHOP DRAWINGS FOR COORDINATION	8/1/2022	TS
0	SHOP DRAWINGS FOR APPROVAL	7/15/2022	TS

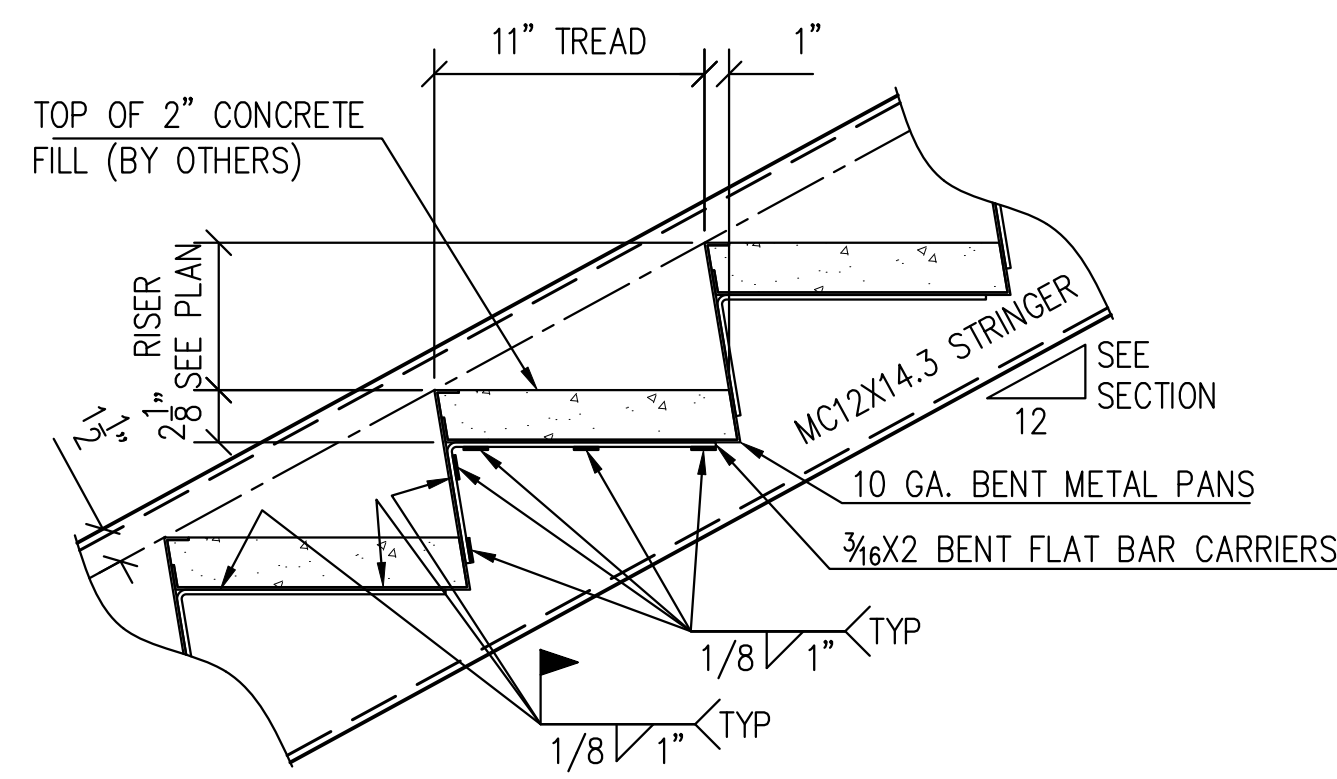
WELDS: E70XX U.O.N. HOLES: 1³/₁₆" Ø U.O.N.
 FINISH: ONE COAT SHOP PRIMER U.O.N.



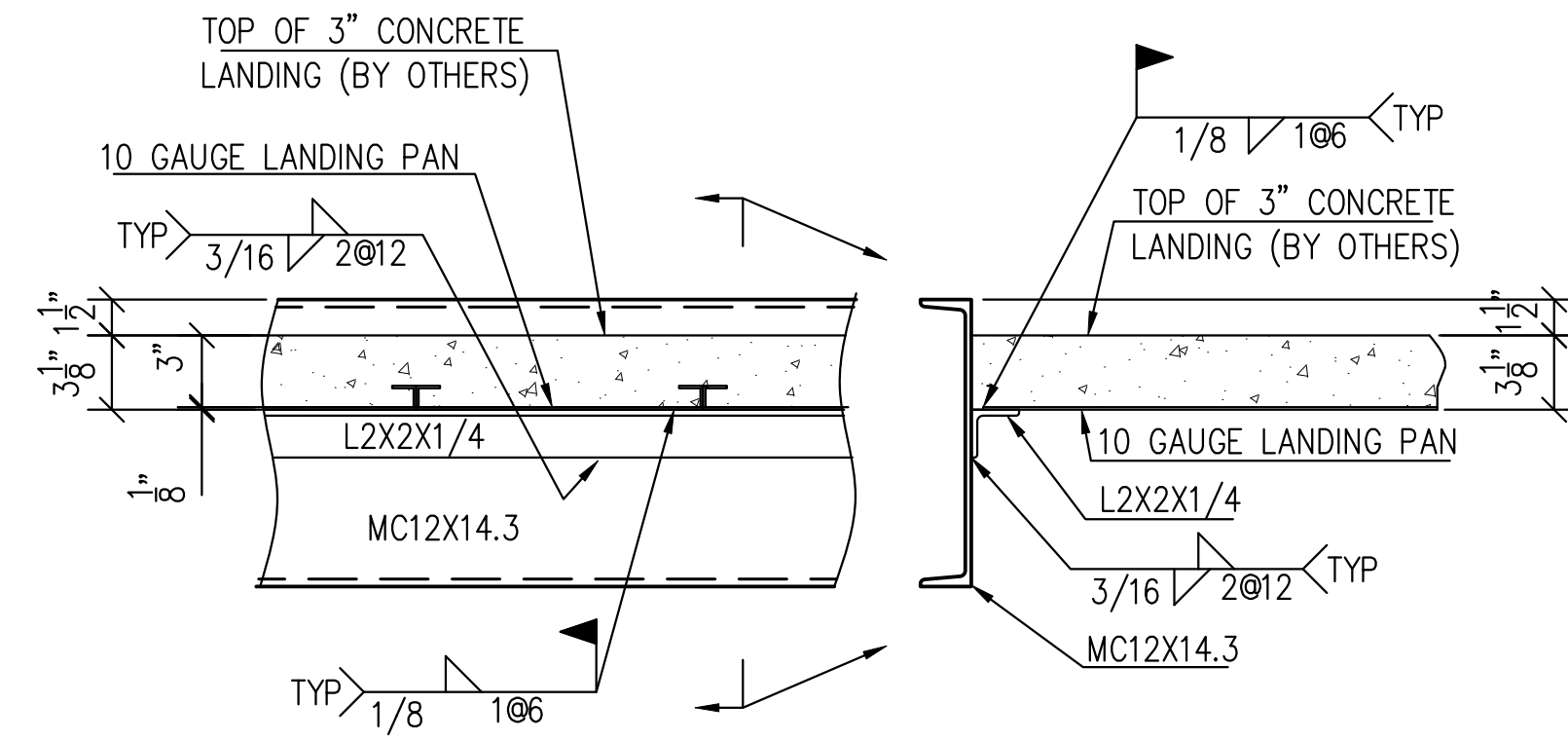
FOR FAB. & ERECTION:
9/6/2022

REFERENCE DESIGN DRAWINGS:
A121, A362, A655, A656, S111

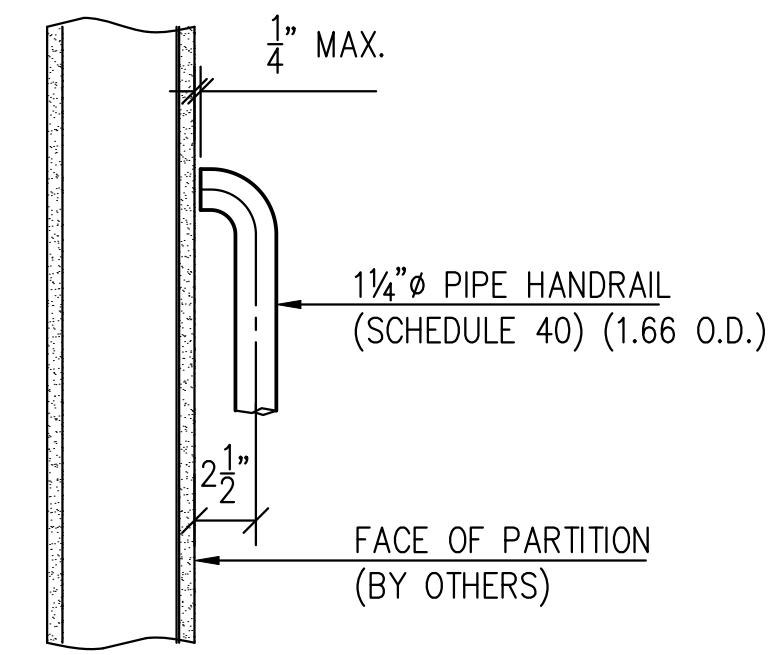
JOB NAME:	ITEM NUMBER: -
JOB NUMBER: -	DATE: 7/14/2022
JOB LOCATION: CAMBRIDGE, MA	DETAILER: TS
GENERAL CONTRACTOR:	ITEM DESCRIPTION: GARAGE STAIR G1
DRAWING NO.: G1-8	



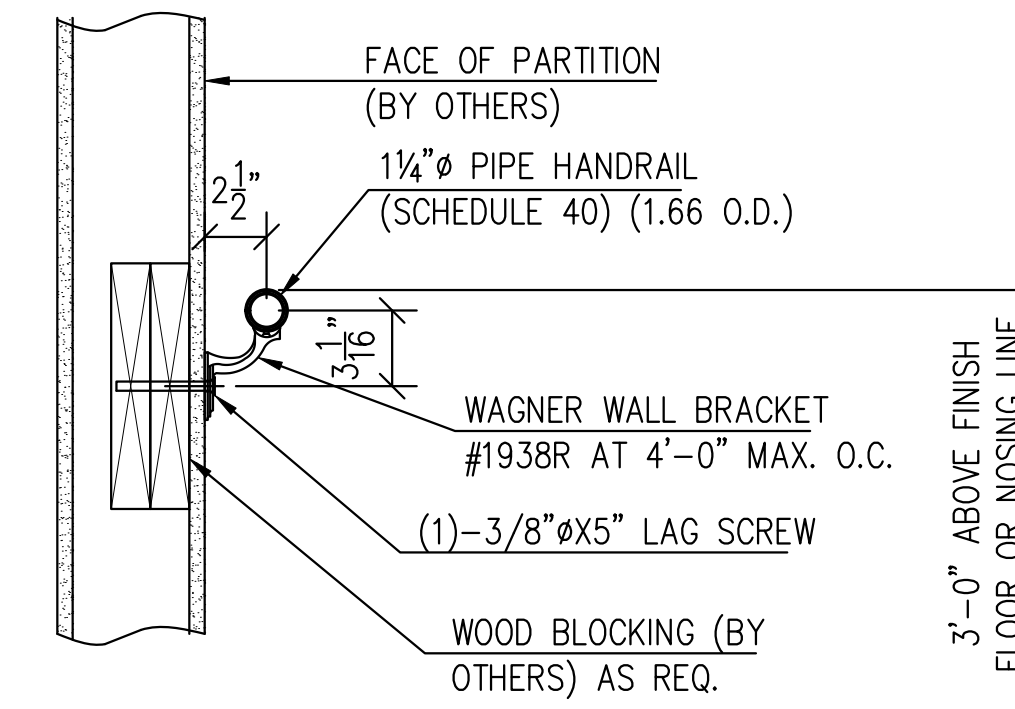
TYPICAL TREAD DETAIL
SCALE 1 1/2"=1'-0"



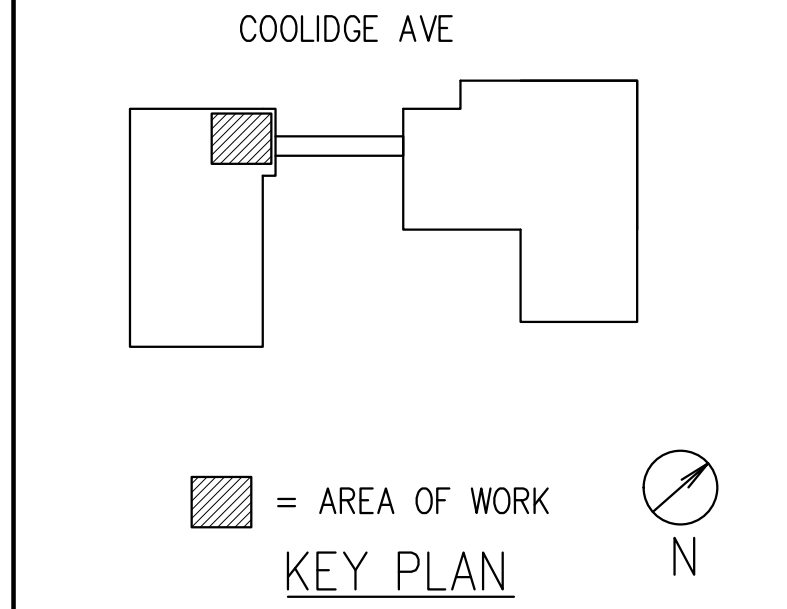
TYPICAL LANDING DETAIL
SCALE 1 1/2"=1'-0"



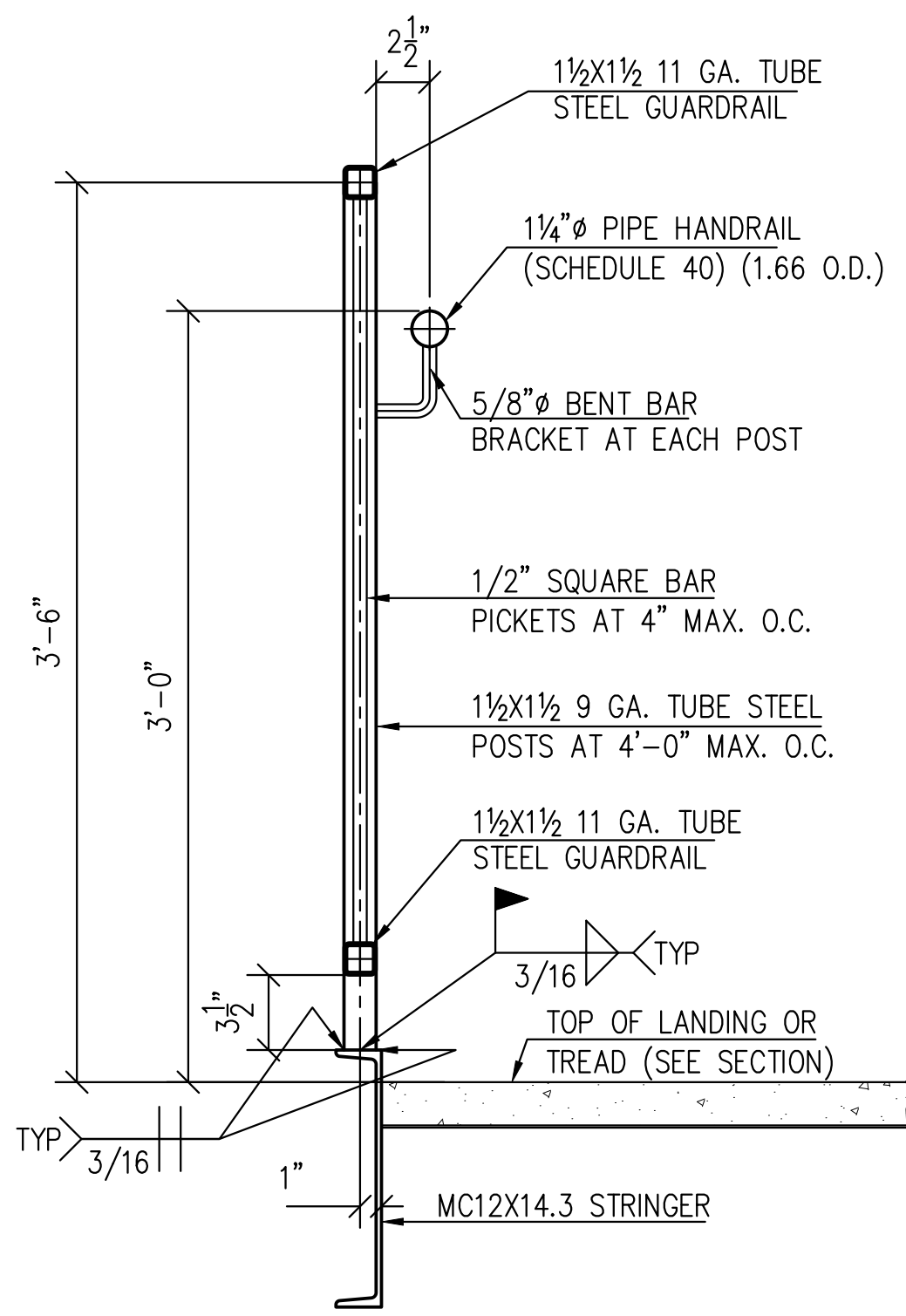
TYPICAL DETAIL AT WALL-MOUNTED HANDRAIL
SCALE 1 1/2"=1'-0"



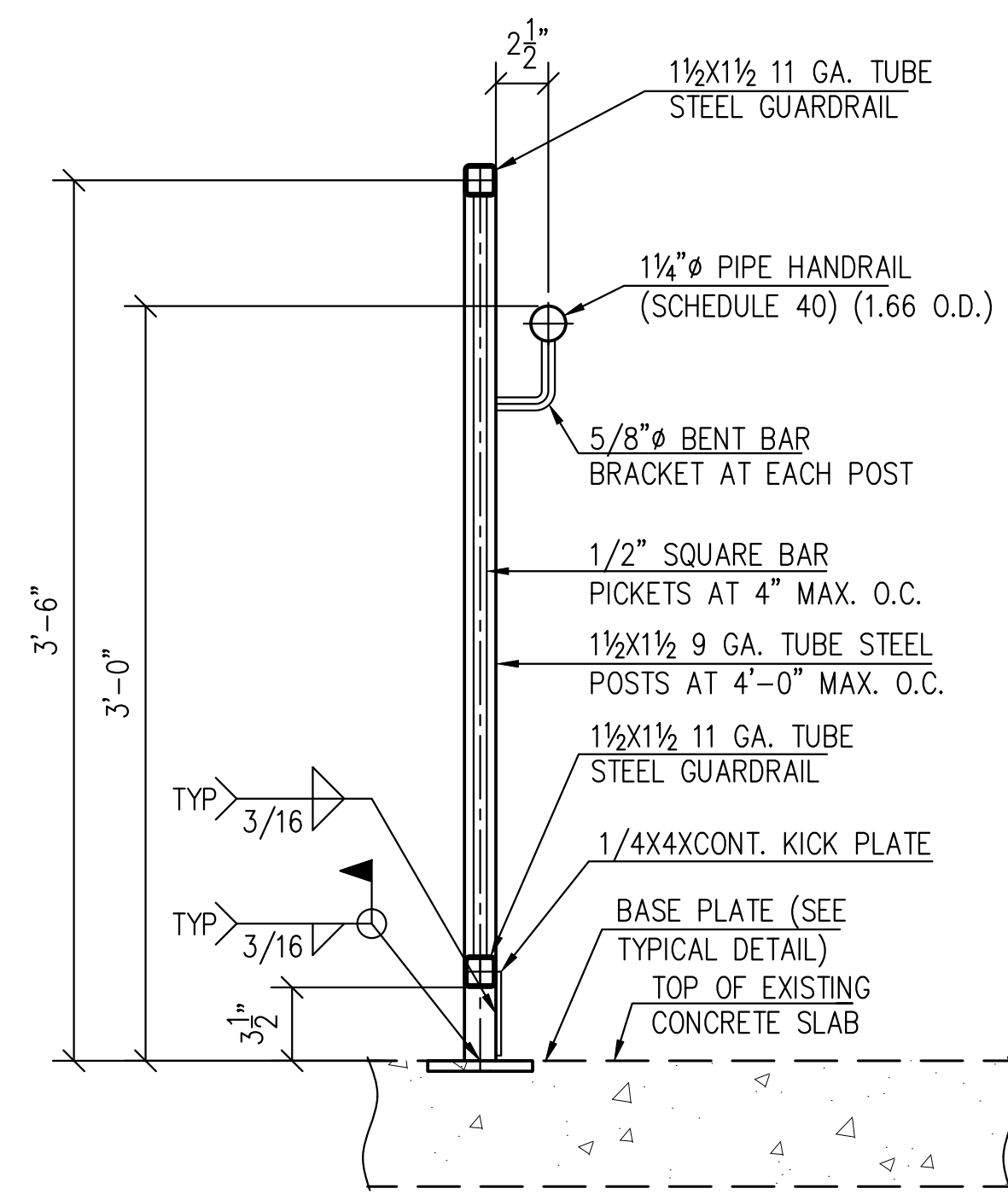
TYPICAL SECTION AT WALL-MOUNTED HANDRAIL
SCALE 1 1/2"=1'-0"



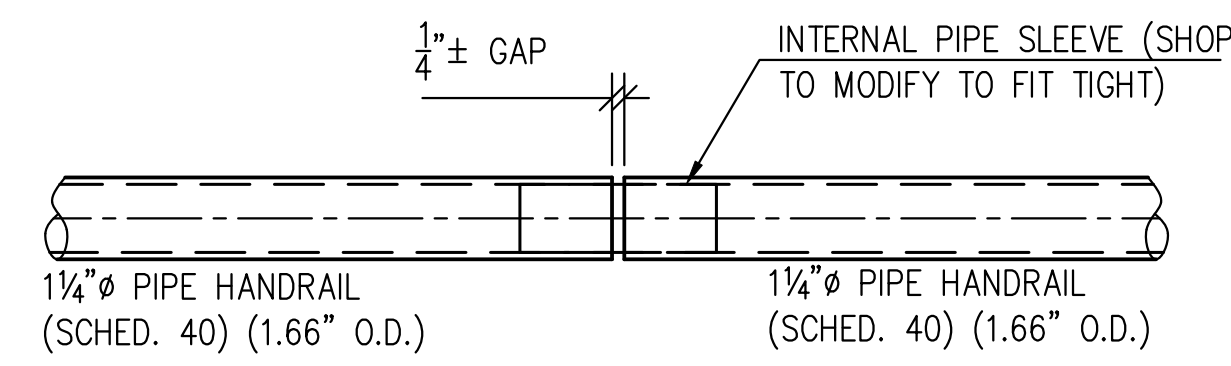
DETAIL KEY:
G1-9: TYPICAL DETAILS
G1-10: DETAILS 1-7
G1-11: DETAILS 8-14
G1-12: DETAILS 15-21



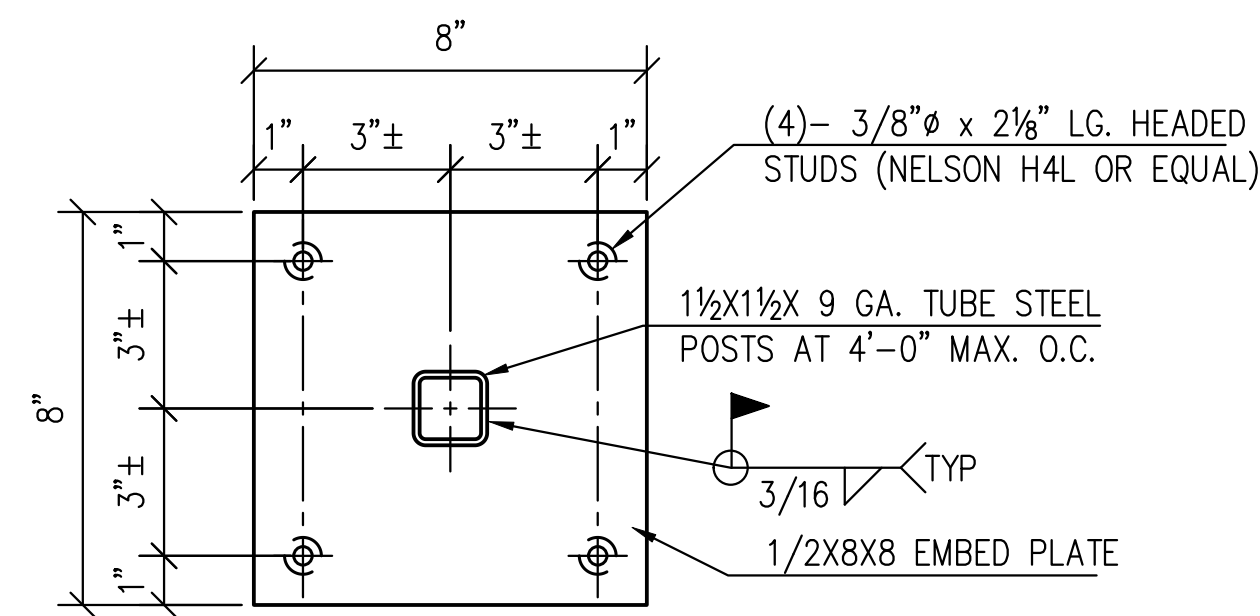
TYPICAL GUARDRAIL DETAIL
SCALE 1 1/2"=1'-0"



TYPICAL SLAB-MOUNTED GUARDRAIL DETAIL
SCALE 1 1/2"=1'-0"



TYPICAL HANDRAIL SPLICE DETAIL
SCALE 3"=1'-0"



TYPICAL SLAB-MOUNTED GUARDRAIL BASE PLATE DETAIL
SCALE 3"=1'-0"

GENERAL NOTES:

- V.I.F. INDICATES DIMENSION TO BE VERIFIED IN FIELD
- F.V. INDICATES FIELD VERIFIED DIMENSION
- ALL CHANNELS, ANGLES, AND PLATES TO BE ASTM A36 U.O.N.
- ALL WIDE FLANGE SECTIONS TO BE ASTM A992 U.O.N.
- ALL HSS SECTIONS TO BE ASTM A500 GRADE B U.O.N.
- ALL PIPE TO BE ASTM A500 GRADE B U.O.N.
- ALL MECHANICAL TUBE TO BE ASTM A513 U.O.N.

REVISION	DESCRIPTION	DATE	BY
5	SHOP DRAWINGS FOR FAB. & ERECTION	9/6/2022	TS
4	SHOP DRAWINGS FOR FAB. & ERECTION	8/29/2022	TS
3	SHOP DRAWINGS FOR APPROVAL	8/17/2022	TS
2	SHOP DRAWINGS FOR APPROVAL	8/4/2022	TS
1	SHOP DRAWINGS FOR COORDINATION	8/1/2022	TS
0	SHOP DRAWINGS FOR APPROVAL	7/15/2022	TS

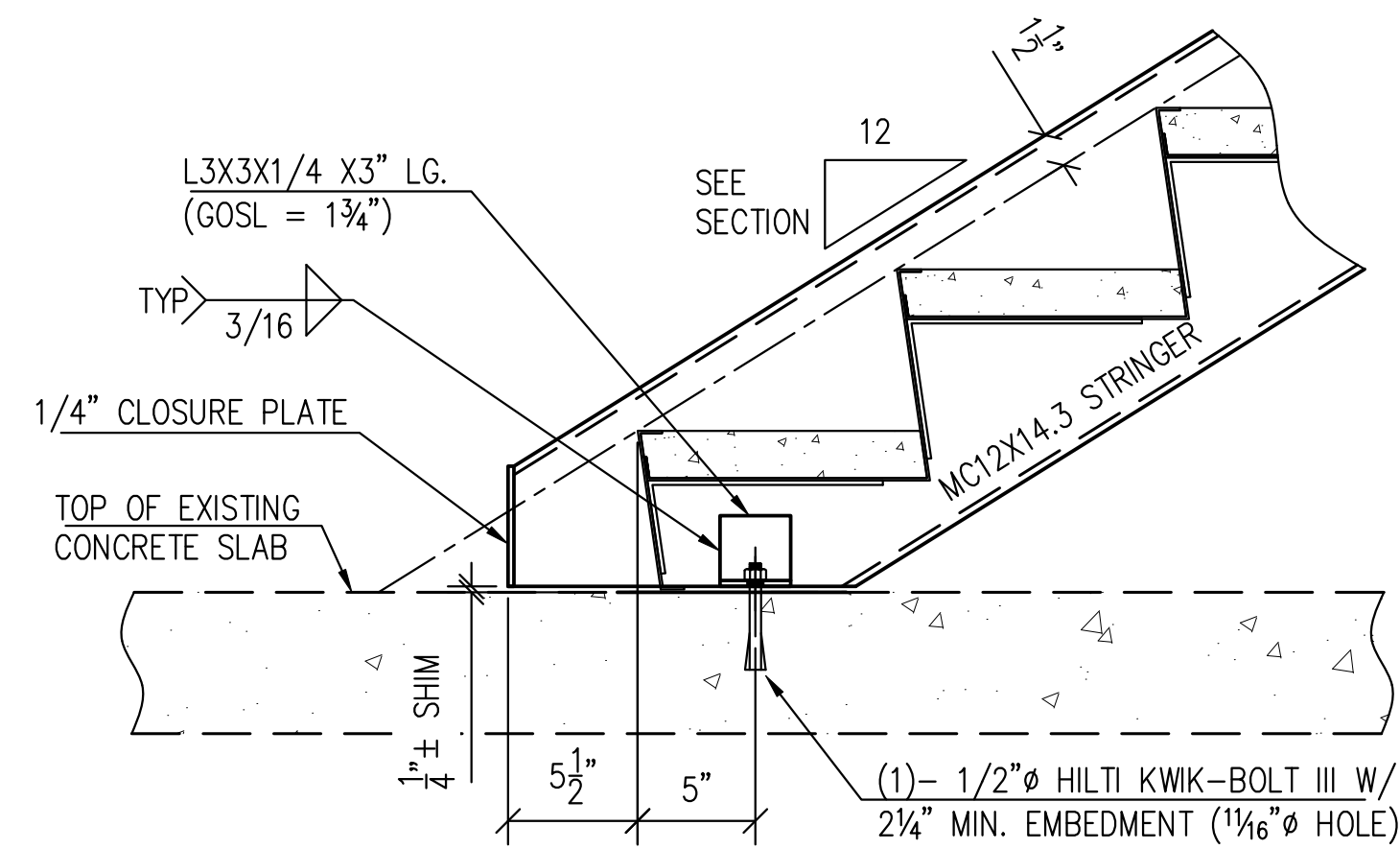
WELDS: E70XX U.O.N. HOLES: 1/16 inch O.U.N.
FINISH: ONE COAT SHOP PRIMER U.O.N.



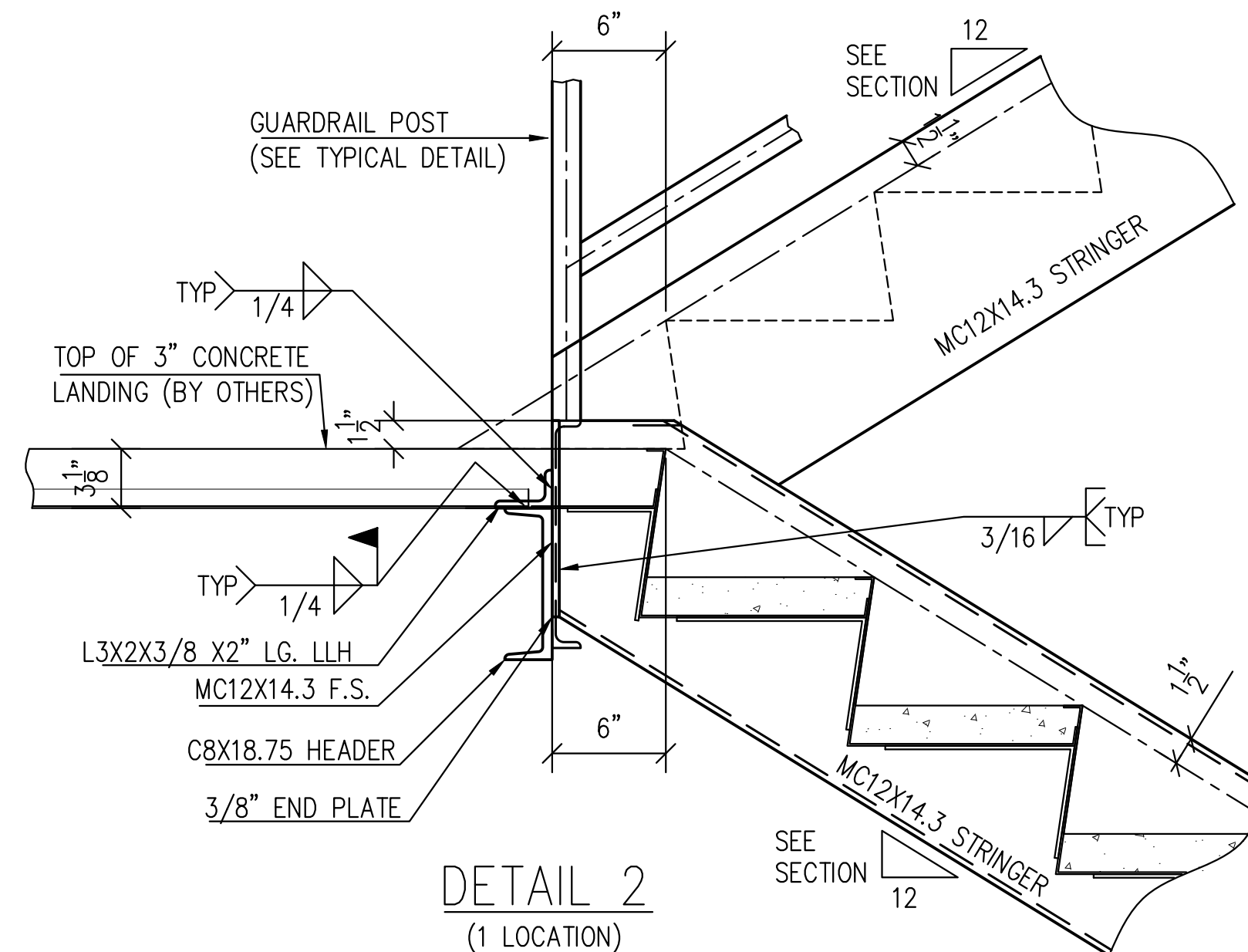
FOR FAB. & ERECTION:
9/6/2022

REFERENCE DESIGN DRAWINGS:
A121, A362, A655, A656, S111

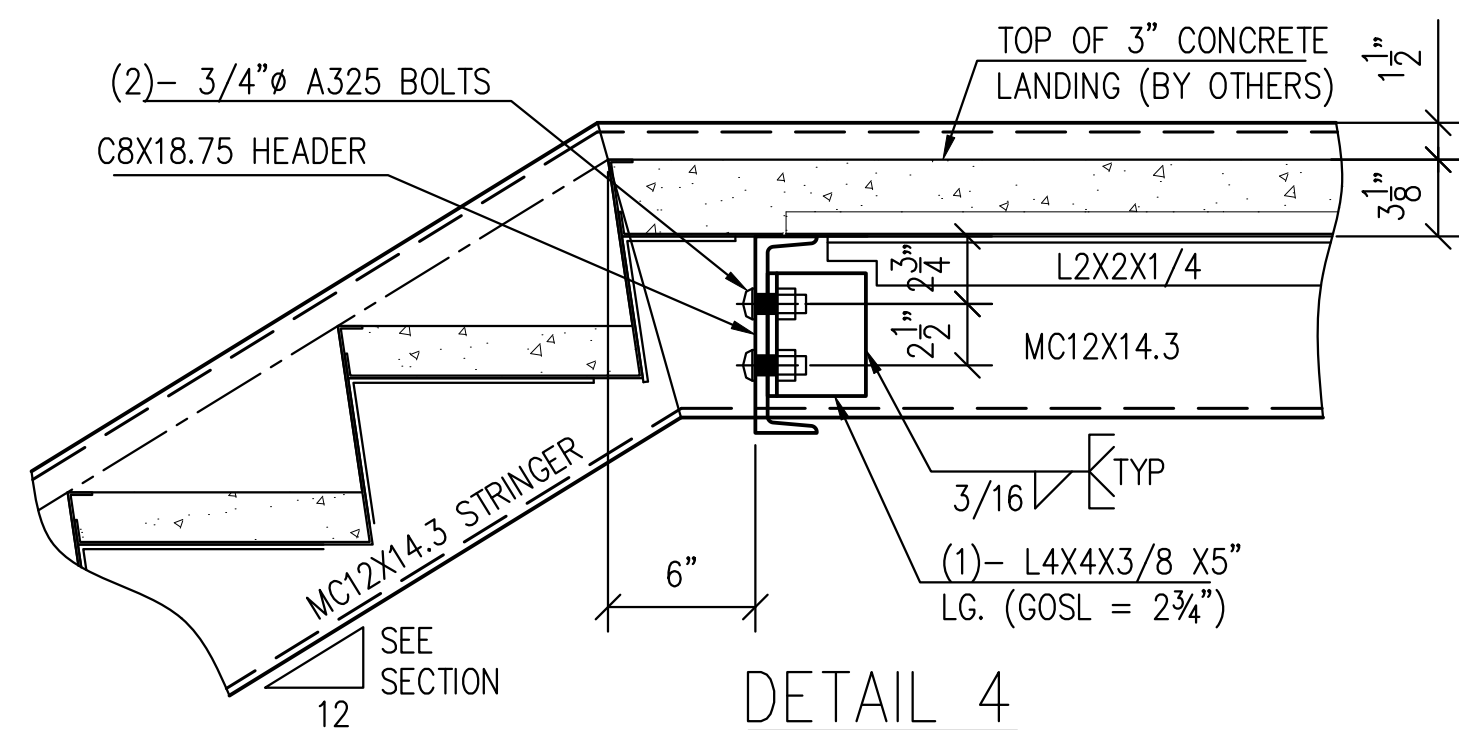
JOB NAME:	ITEM NUMBER: -
JOB NUMBER: -	DATE: 7/14/2022
JOB LOCATION: CAMBRIDGE, MA	DETAILER: TS
GENERAL CONTRACTOR:	ITEM DESCRIPTION: GARAGE STAIR G1
DRAWING NO.: G1-9	



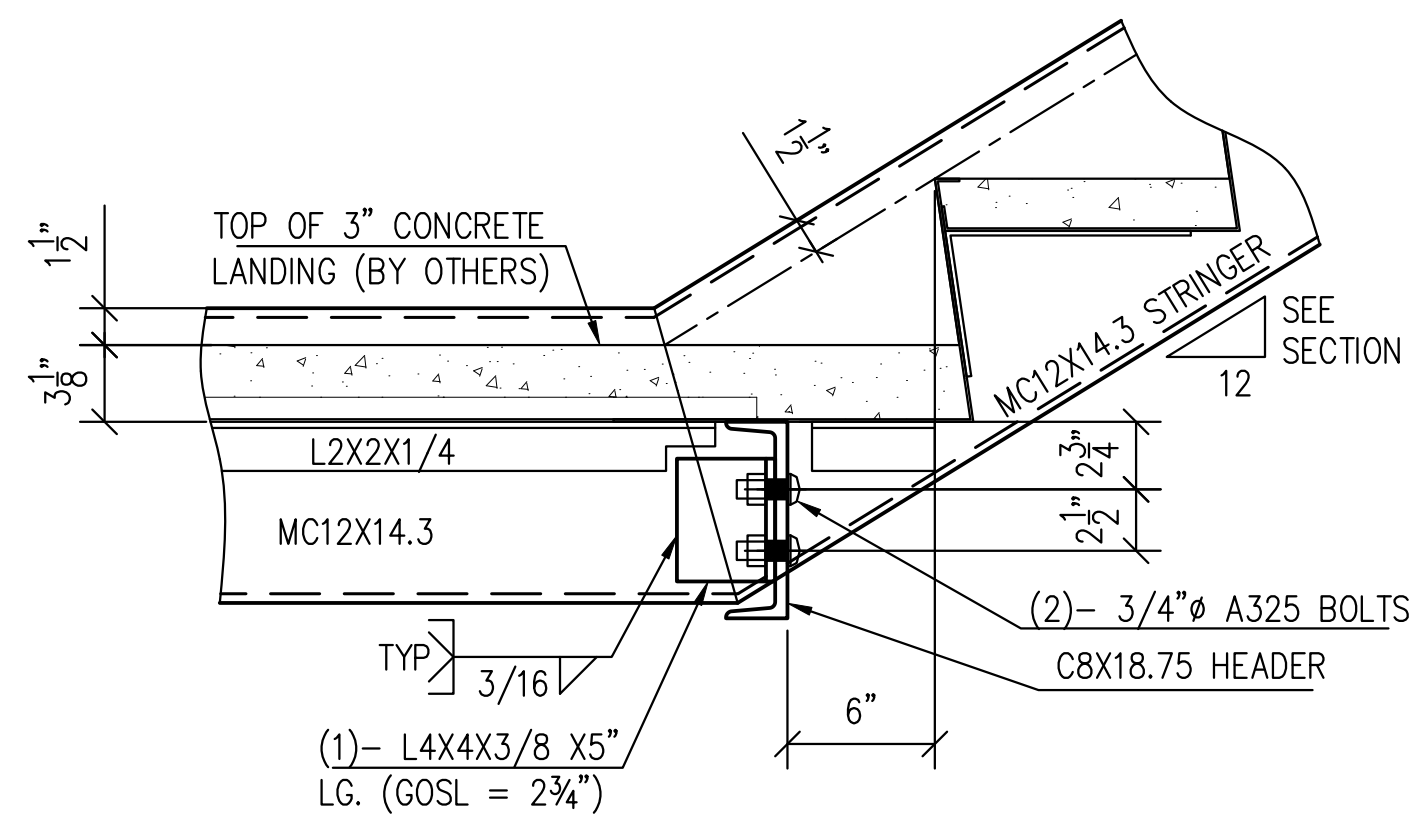
DETAIL 1
(2 LOCATIONS)
SCALE 1 1/2"=1'-0"



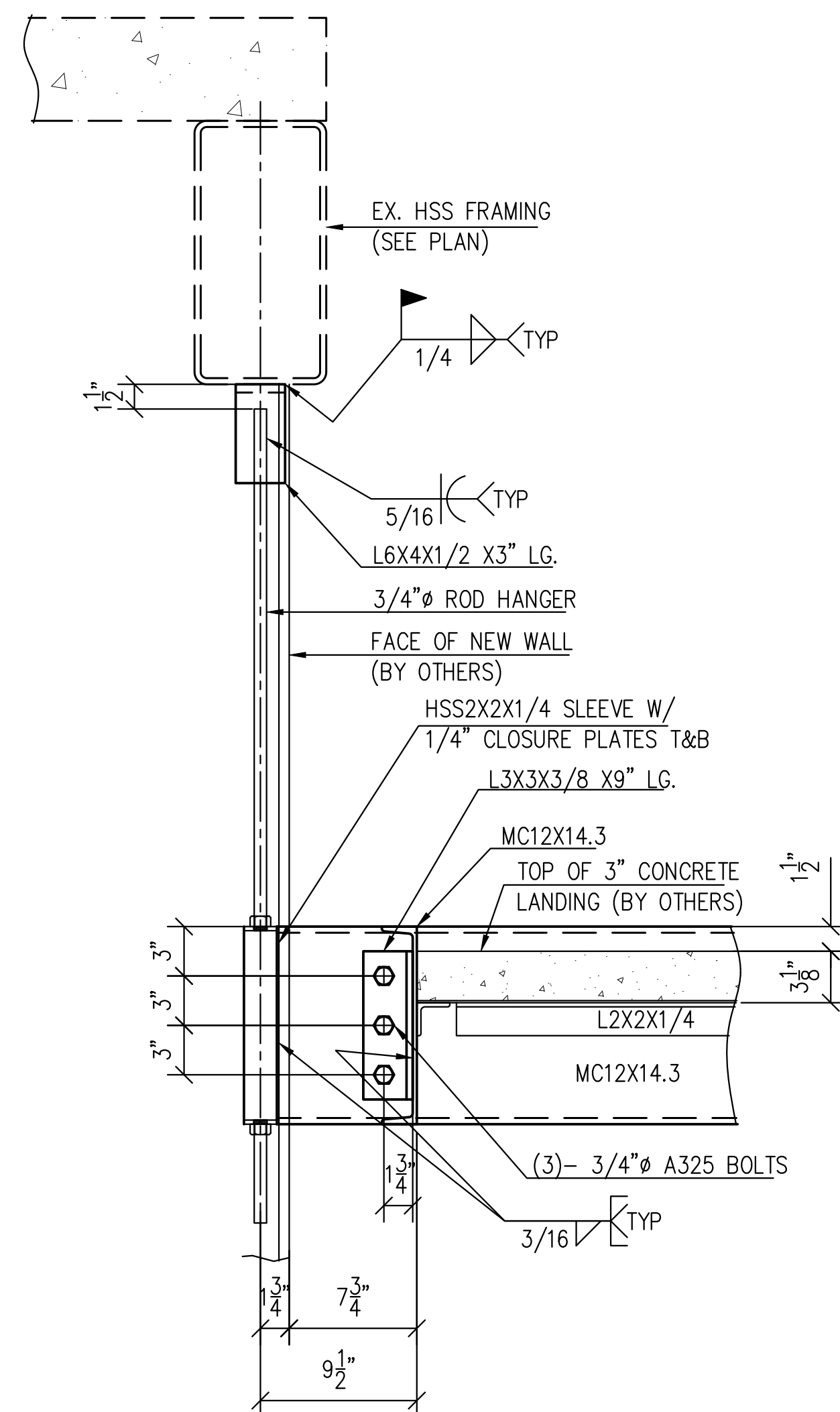
DETAIL 2
(1 LOCATION)
SCALE 1 1/2"=1'-0"



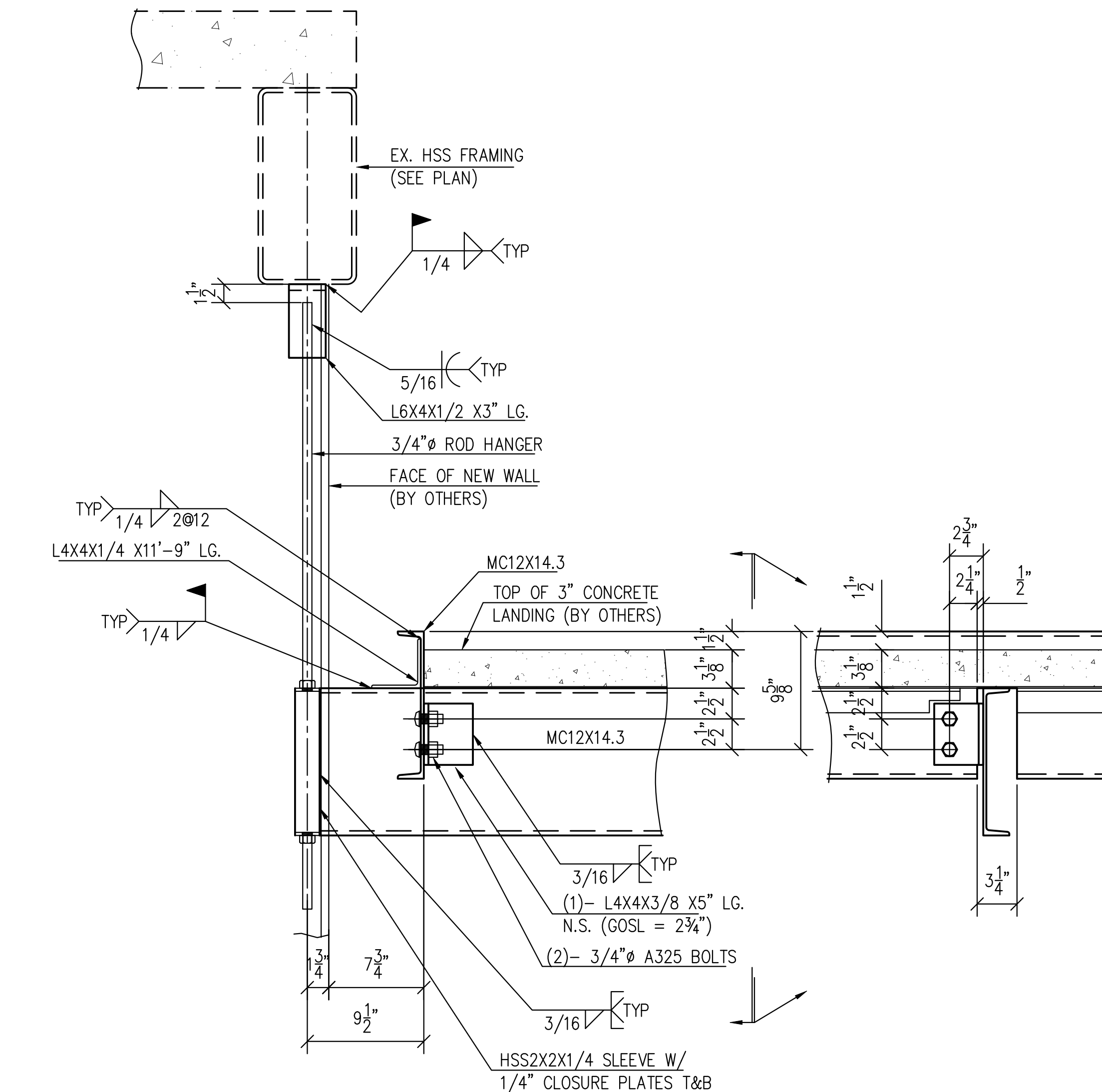
DETAIL 4
(1 LOCATION)
SCALE 1 1/2"=1'-0"



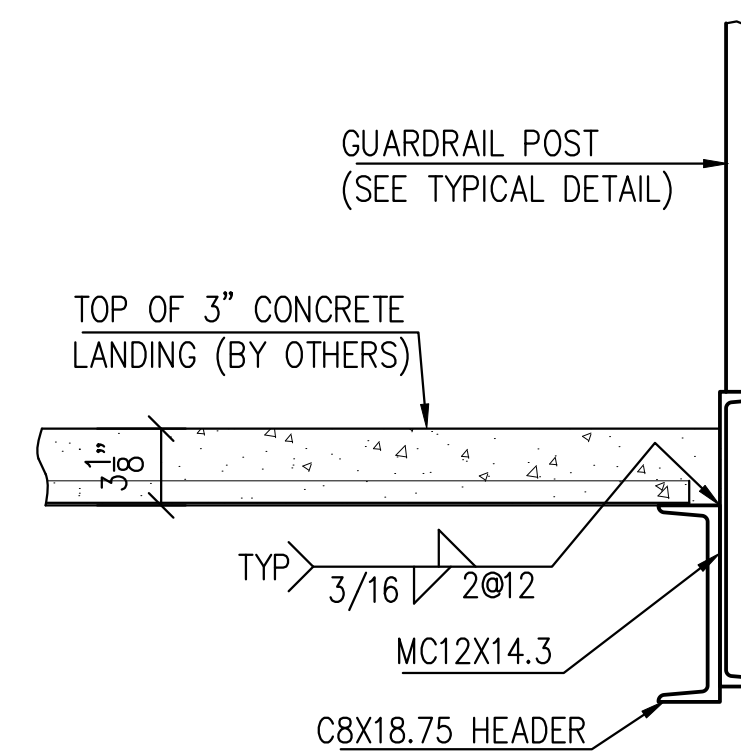
DETAIL 5
(1 LOCATION)
SCALE 1 1/2"=1'-0"



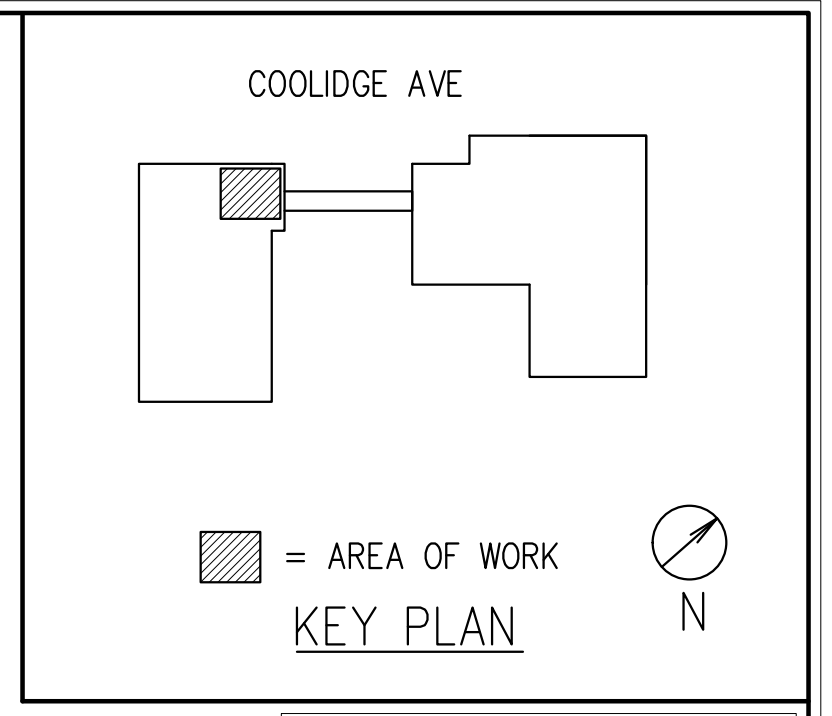
DETAIL 6
(10 LOCATIONS)
SCALE 1 1/2"=1'-0"



DETAIL 7
(8 LOCATIONS)
SCALE 1 1/2"=1'-0"



DETAIL 3
(1 LOCATION)
SCALE 1 1/2"=1'-0"

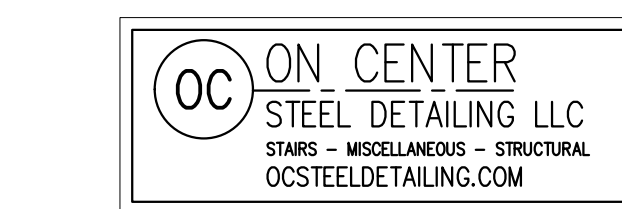


DETAIL KEY:
G1-9: TYPICAL DETAILS
G1-10: DETAILS 1-7
G1-11: DETAILS 8-14
G1-12: DETAILS 15-21

- GENERAL NOTES:**
1. V.I.F. INDICATES DIMENSION TO BE VERIFIED IN FIELD
 2. F.V. INDICATES FIELD VERIFIED DIMENSION
 3. ALL CHANNELS, ANGLES, AND PLATES TO BE ASTM A36 U.O.N.
 4. ALL WIDE FLANGE SECTIONS TO BE ASTM A992 U.O.N.
 5. ALL HSS SECTIONS TO BE ASTM A500 GRADE B U.O.N.
 6. ALL PIPE TO BE ASTM A500 GRADE B U.O.N.
 7. ALL MECHANICAL TUBE TO BE ASTM A513 U.O.N.

REVISION	DESCRIPTION	DATE	BY
5	SHOP DRAWINGS FOR FAB. & ERECTION	9/6/2022	TS
4	SHOP DRAWINGS FOR FAB. & ERECTION	8/29/2022	TS
3	SHOP DRAWINGS FOR APPROVAL	8/17/2022	TS
2	SHOP DRAWINGS FOR APPROVAL	8/4/2022	TS
1	SHOP DRAWINGS FOR COORDINATION	8/1/2022	TS
0	SHOP DRAWINGS FOR APPROVAL	7/15/2022	TS

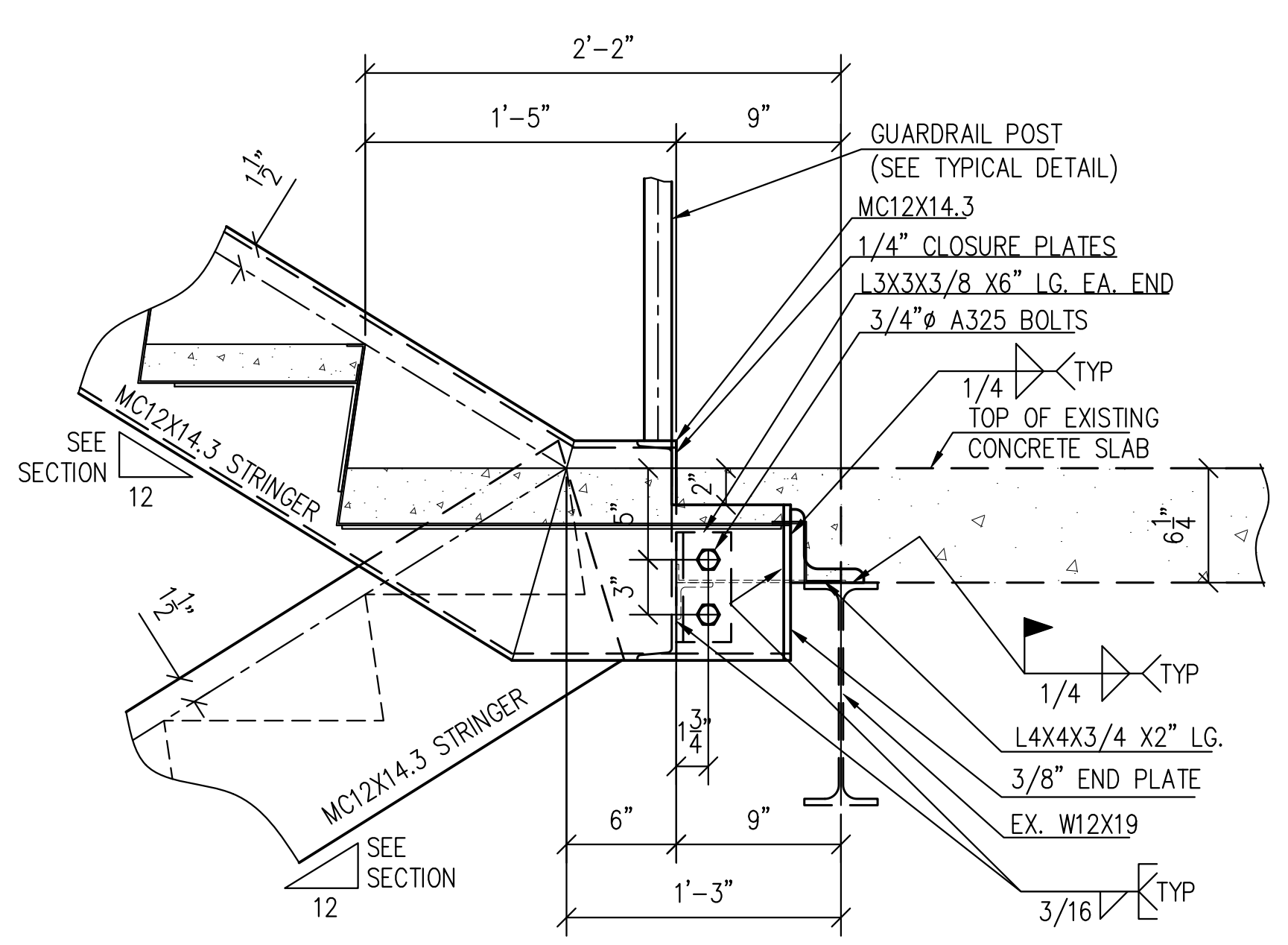
WELDS: E70XX U.O.N. HOLES: 1 3/16" Ø U.O.N.
FINISH: ONE COAT SHOP PRIMER U.O.N.



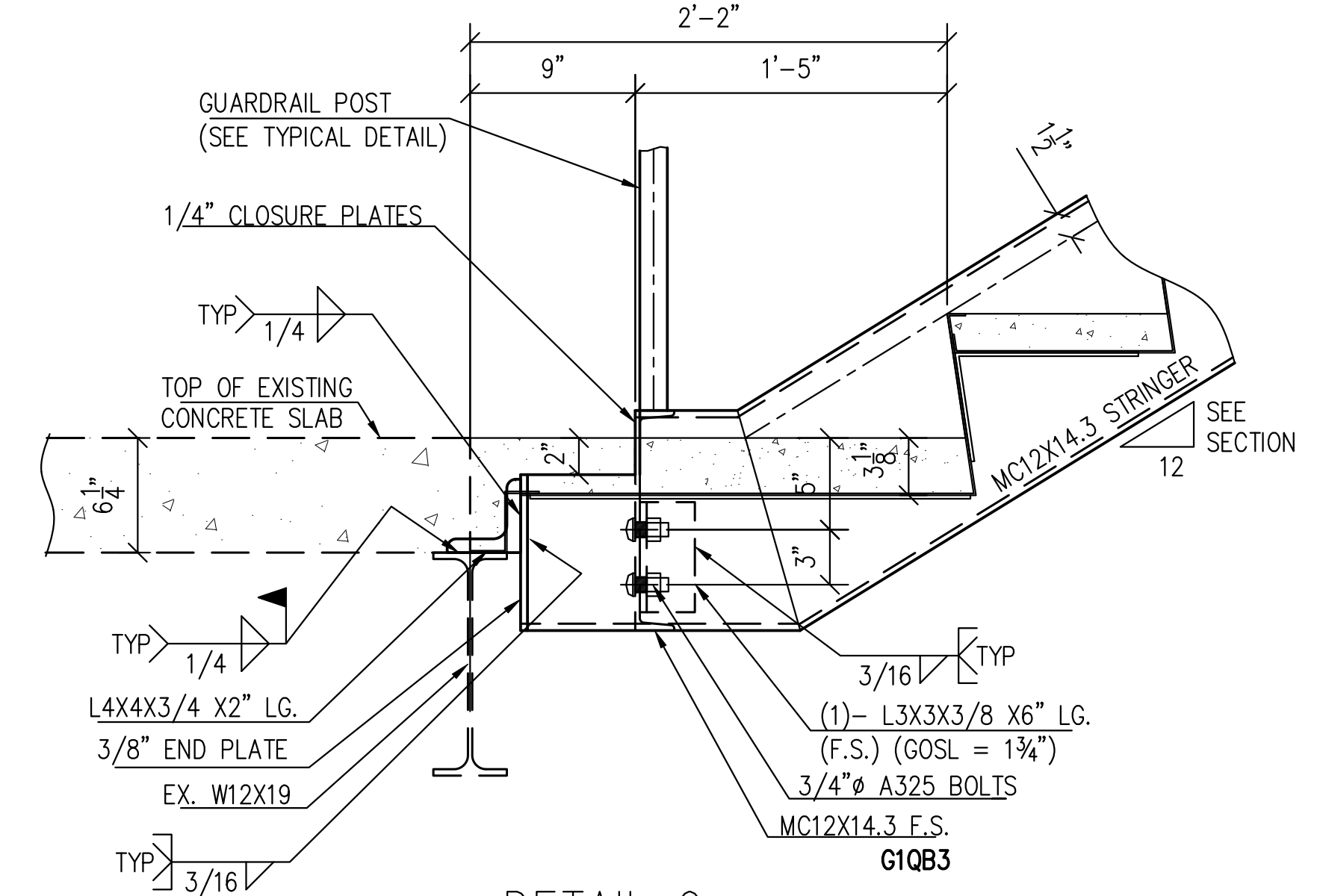
FOR FAB. & ERECTION:
9/6/2022

REFERENCE DESIGN DRAWINGS:
A121, A362, A655, A656, S111

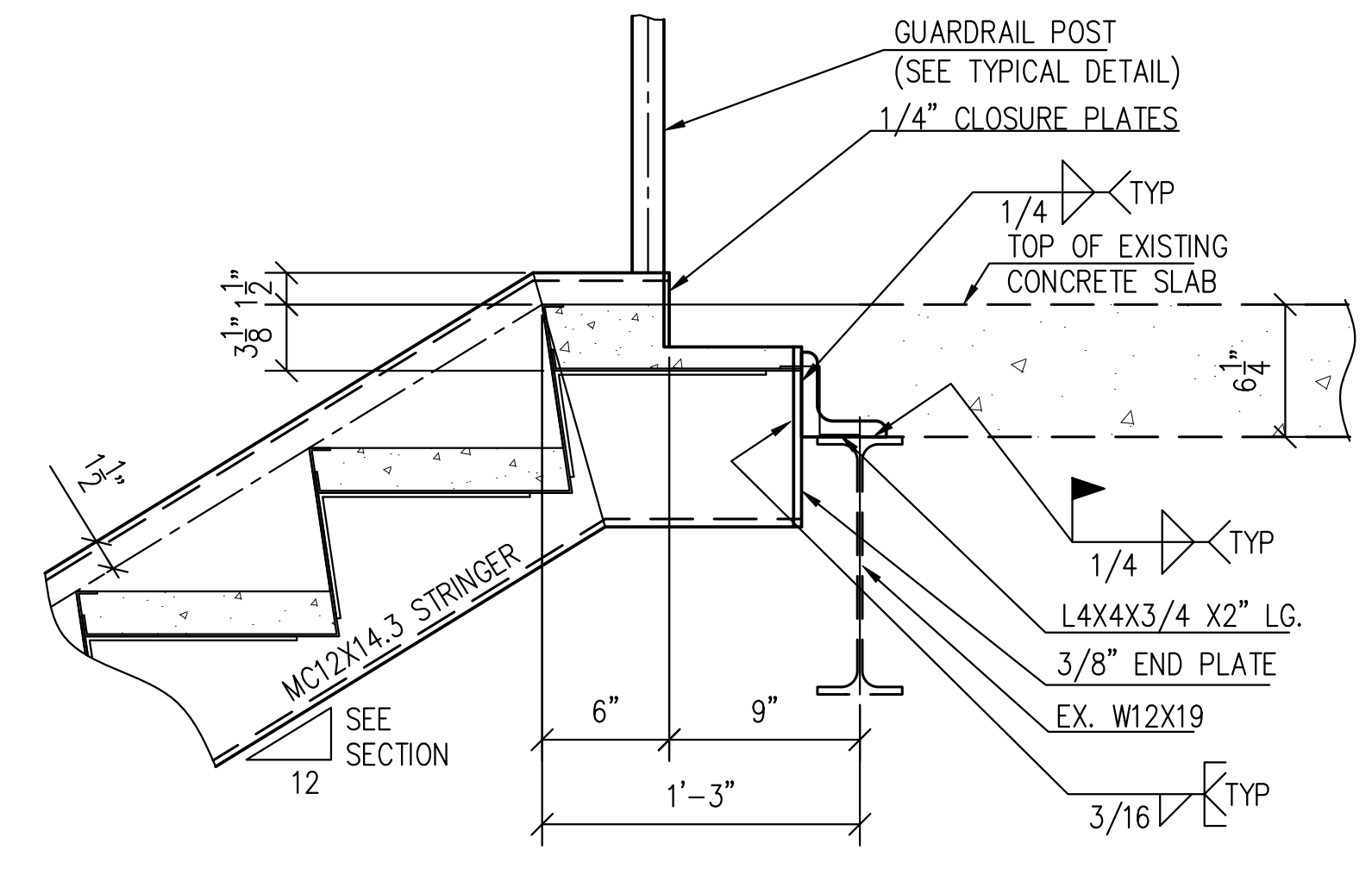
JOB NAME:	ITEM NUMBER: -
JOB NUMBER: -	DATE: 7/14/2022
JOB LOCATION: CAMBRIDGE, MA	DETAILER: TS
GENERAL CONTRACTOR:	ITEM DESCRIPTION: GARAGE STAIR G1
DRAWING NO.: G1-10	



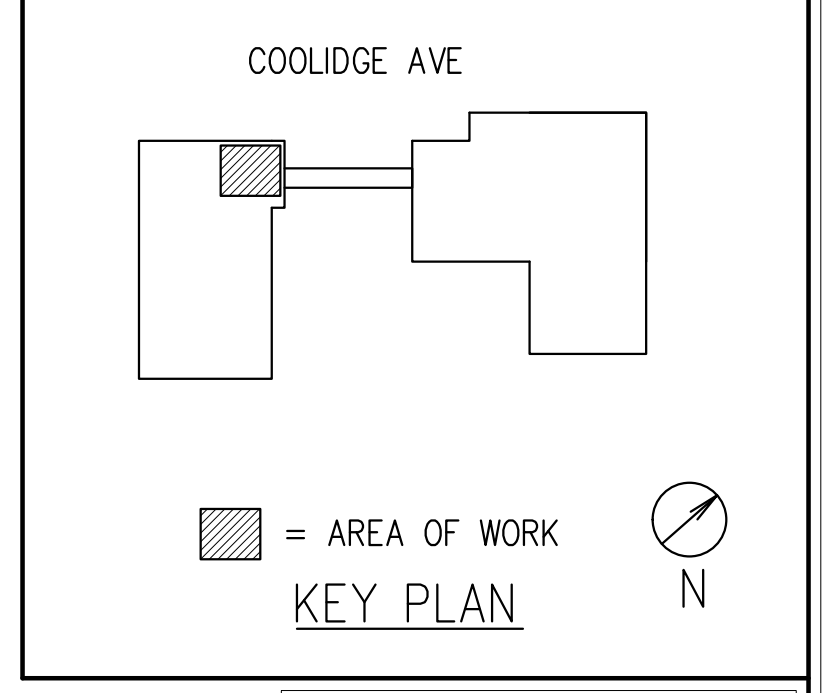
DETAIL 8
(3 LOCATIONS)
SCALE 1 1/2"=1'-0"



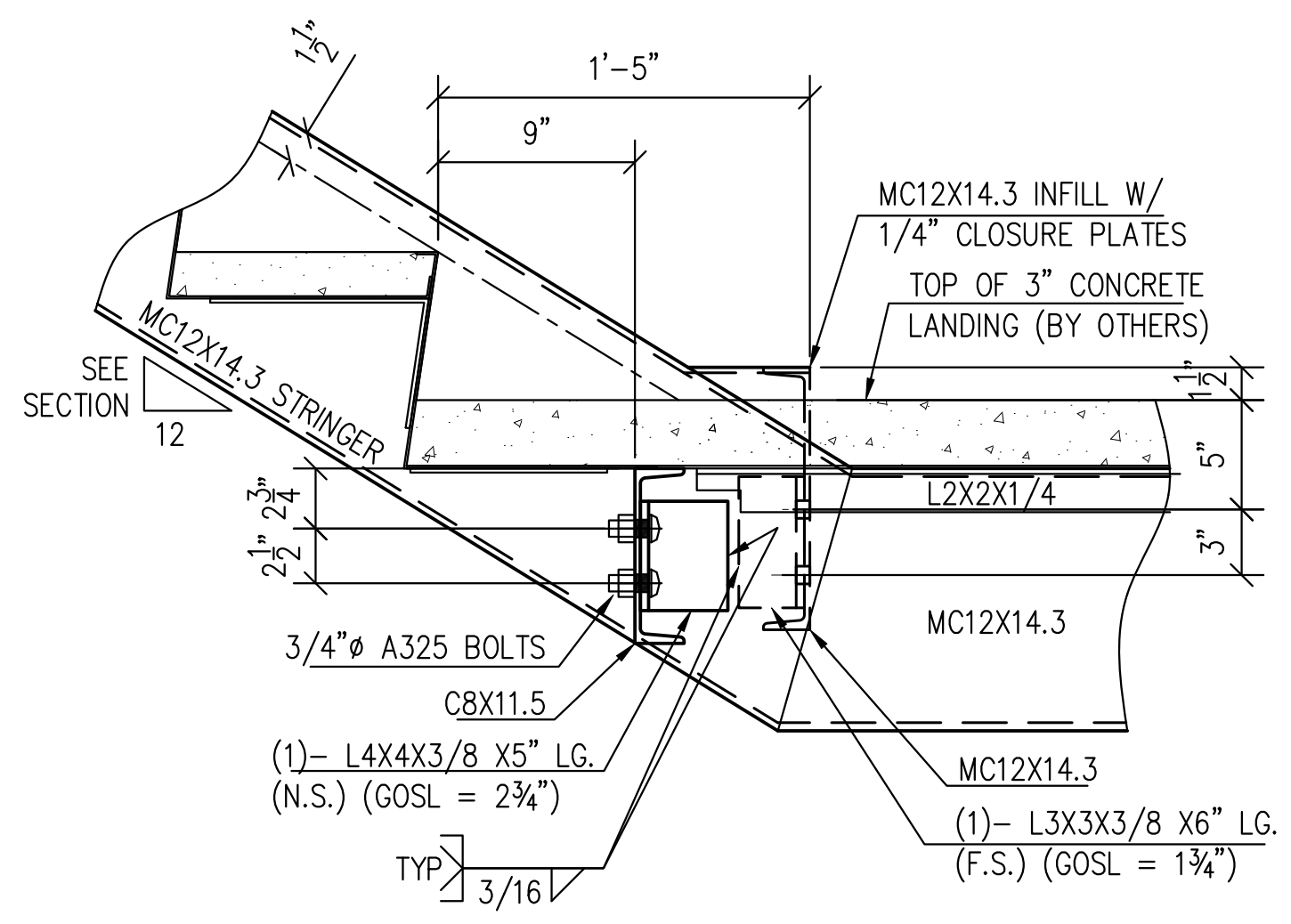
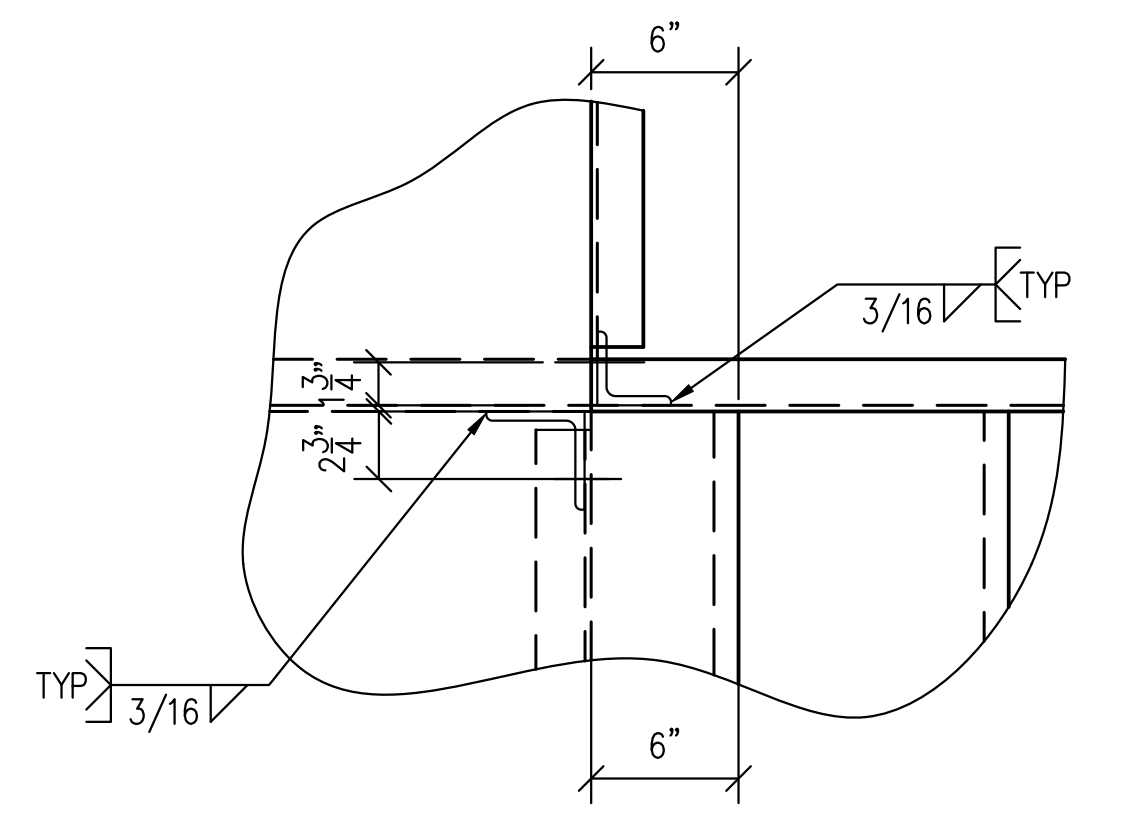
DETAIL 9
(3 LOCATIONS)
SCALE 1 1/2"=1'-0"



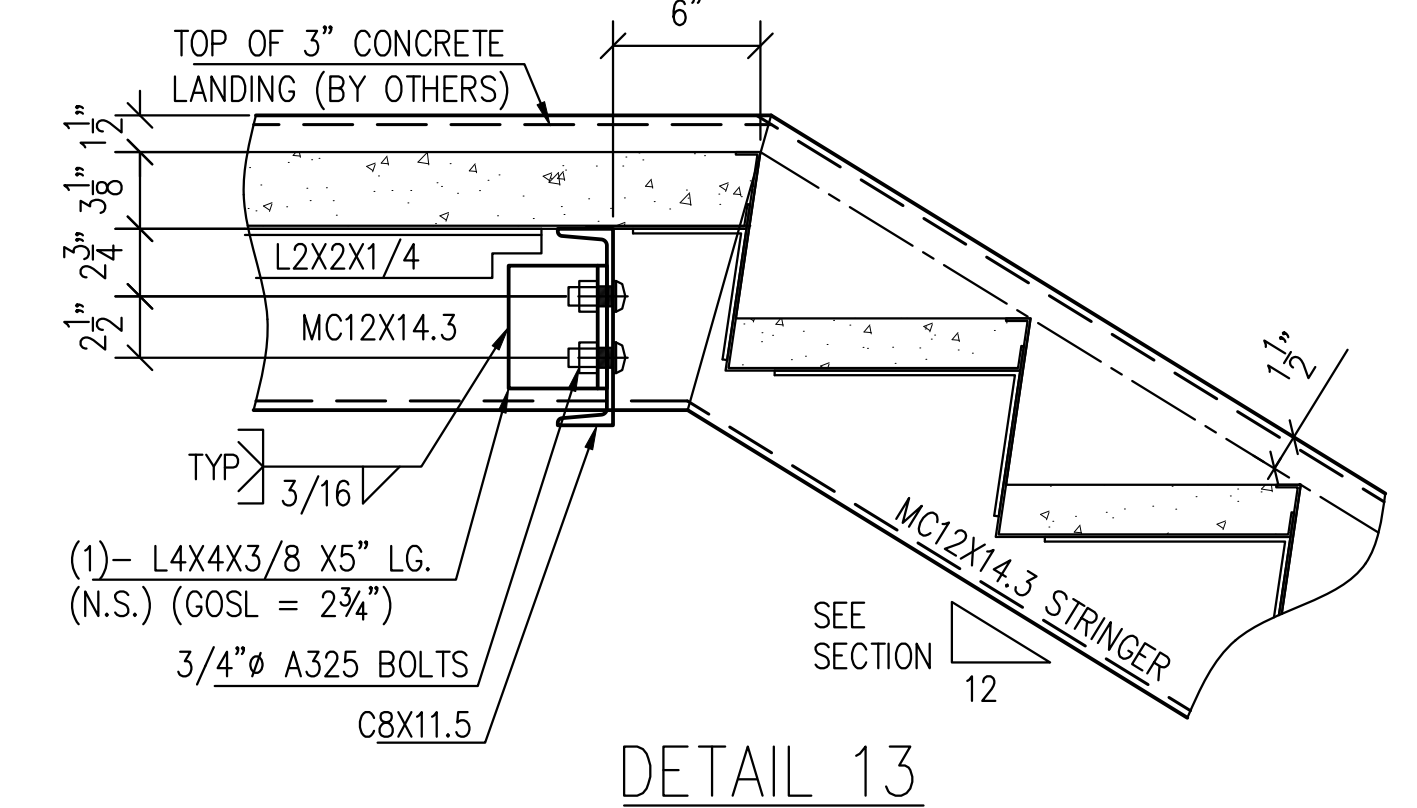
DETAIL 10
(3 LOCATIONS)
SCALE 1 1/2"=1'-0"



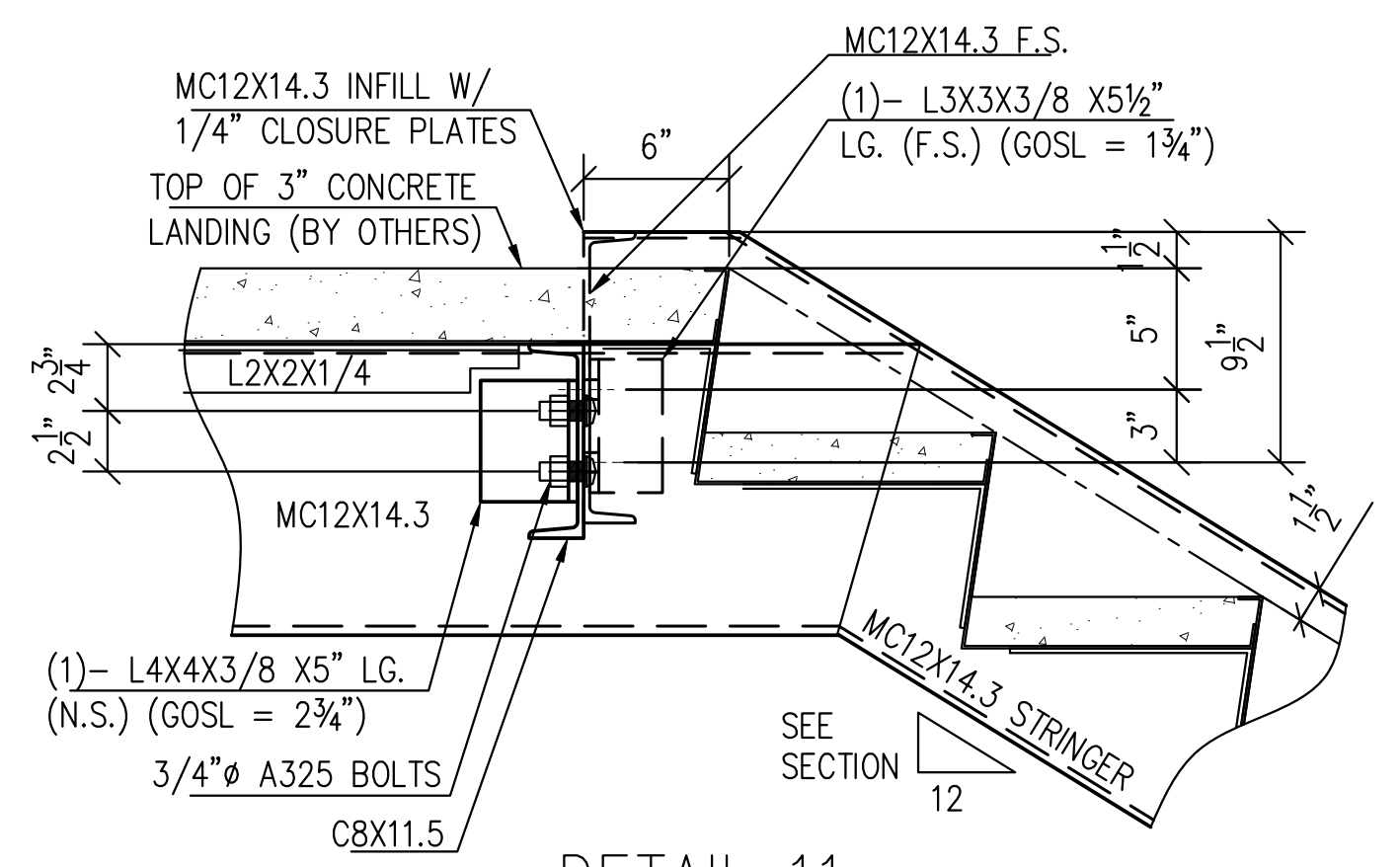
DETAIL KEY:
G1-9: TYPICAL DETAILS
G1-10: DETAILS 1-7
G1-11: DETAILS 8-14
G1-12: DETAILS 15-21



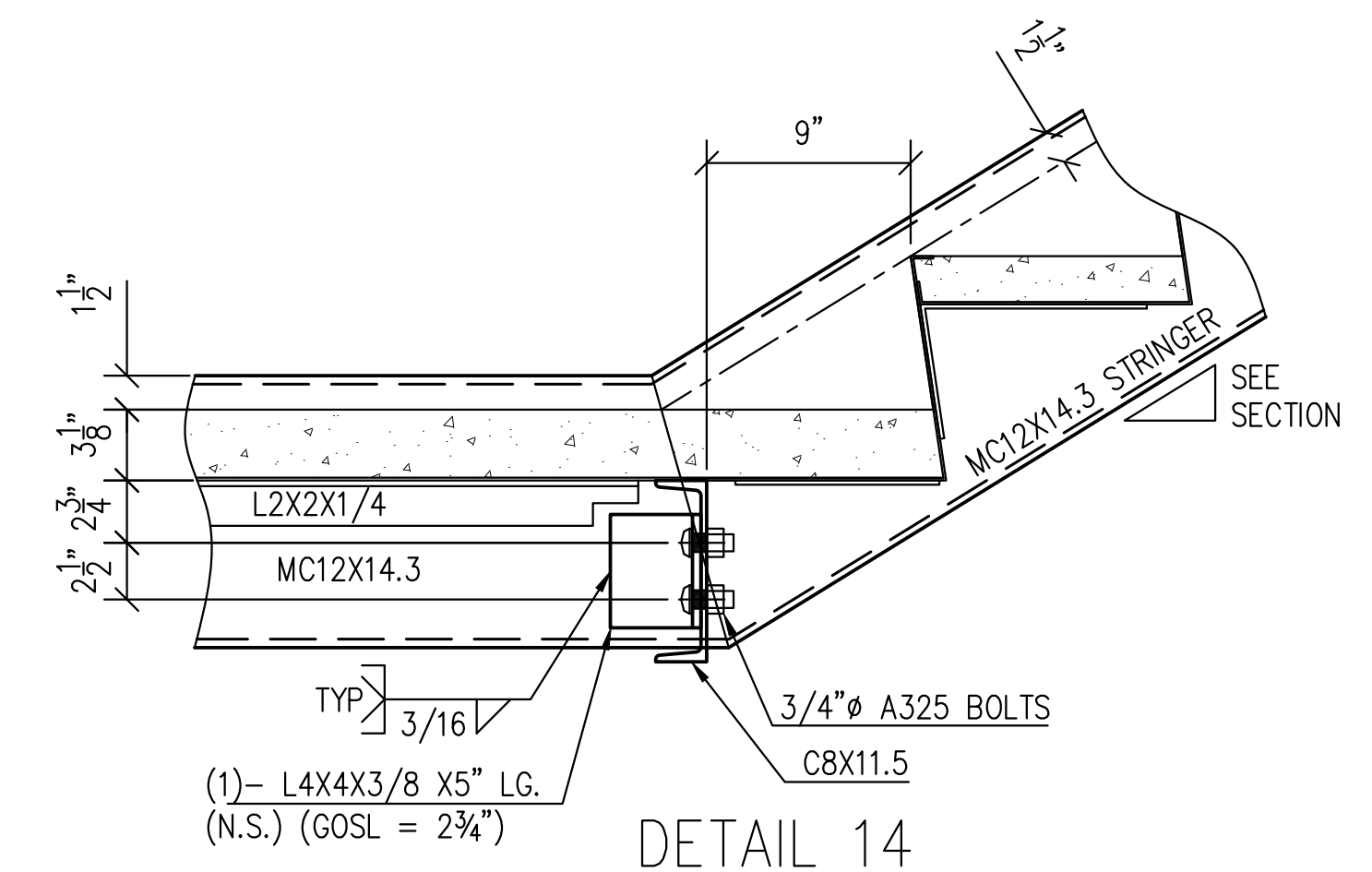
DETAIL 12
(4 LOCATIONS)
SCALE 1 1/2"=1'-0"



DETAIL 13
(4 LOCATIONS)
SCALE 1 1/2"=1'-0"



DETAIL 11
(4 LOCATIONS)
SCALE 1 1/2"=1'-0"



DETAIL 14
(4 LOCATIONS)
SCALE 1 1/2"=1'-0"

GENERAL NOTES:

1. V.I.F. INDICATES DIMENSION TO BE VERIFIED IN FIELD
2. F.V. INDICATES FIELD VERIFIED DIMENSION
3. ALL CHANNELS, ANGLES, AND PLATES TO BE ASTM A36 U.O.N.
4. ALL WIDE FLANGE SECTIONS TO BE ASTM A992 U.O.N.
5. ALL HSS SECTIONS TO BE ASTM A500 GRADE B U.O.N.
6. ALL PIPE TO BE ASTM A500 GRADE B U.O.N.
7. ALL MECHANICAL TUBE TO BE ASTM A513 U.O.N.

REVISION	DESCRIPTION	DATE	BY
5	SHOP DRAWINGS FOR FAB. & ERECTION	9/6/2022	TS
4	SHOP DRAWINGS FOR FAB. & ERECTION	8/29/2022	TS
3	SHOP DRAWINGS FOR APPROVAL	8/17/2022	TS
2	SHOP DRAWINGS FOR APPROVAL	8/4/2022	TS
1	SHOP DRAWINGS FOR COORDINATION	8/1/2022	TS
0	SHOP DRAWINGS FOR APPROVAL	7/15/2022	TS

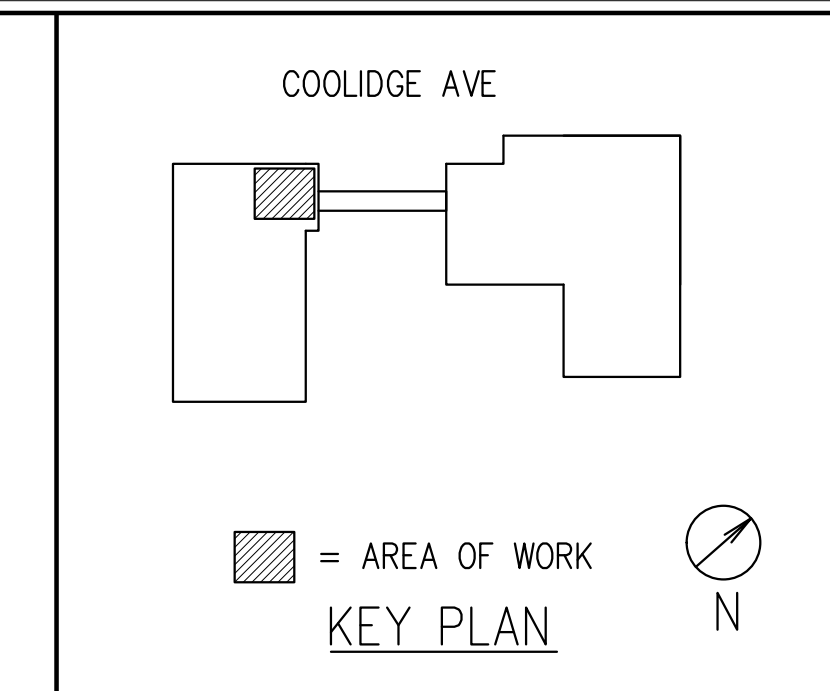
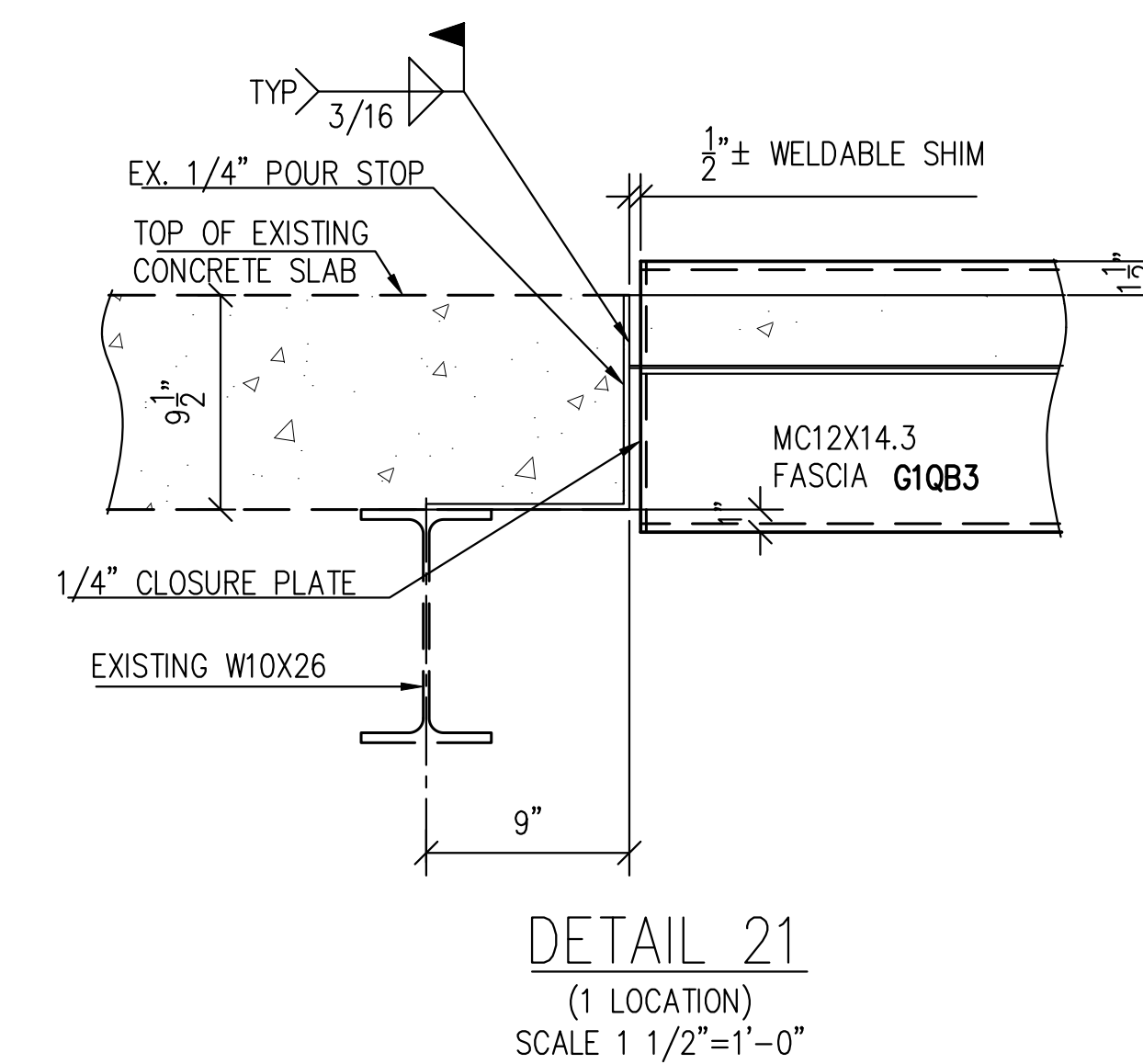
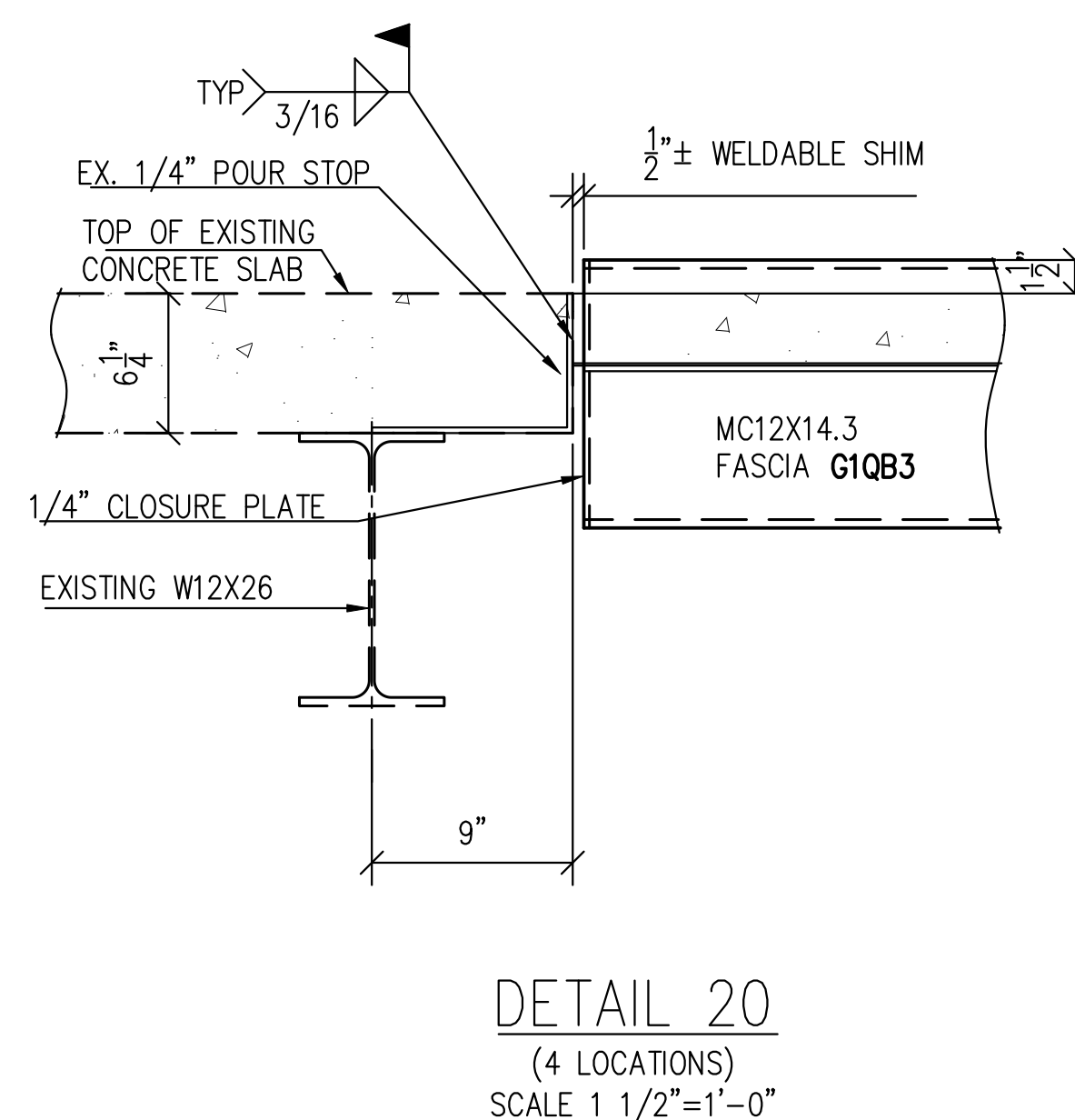
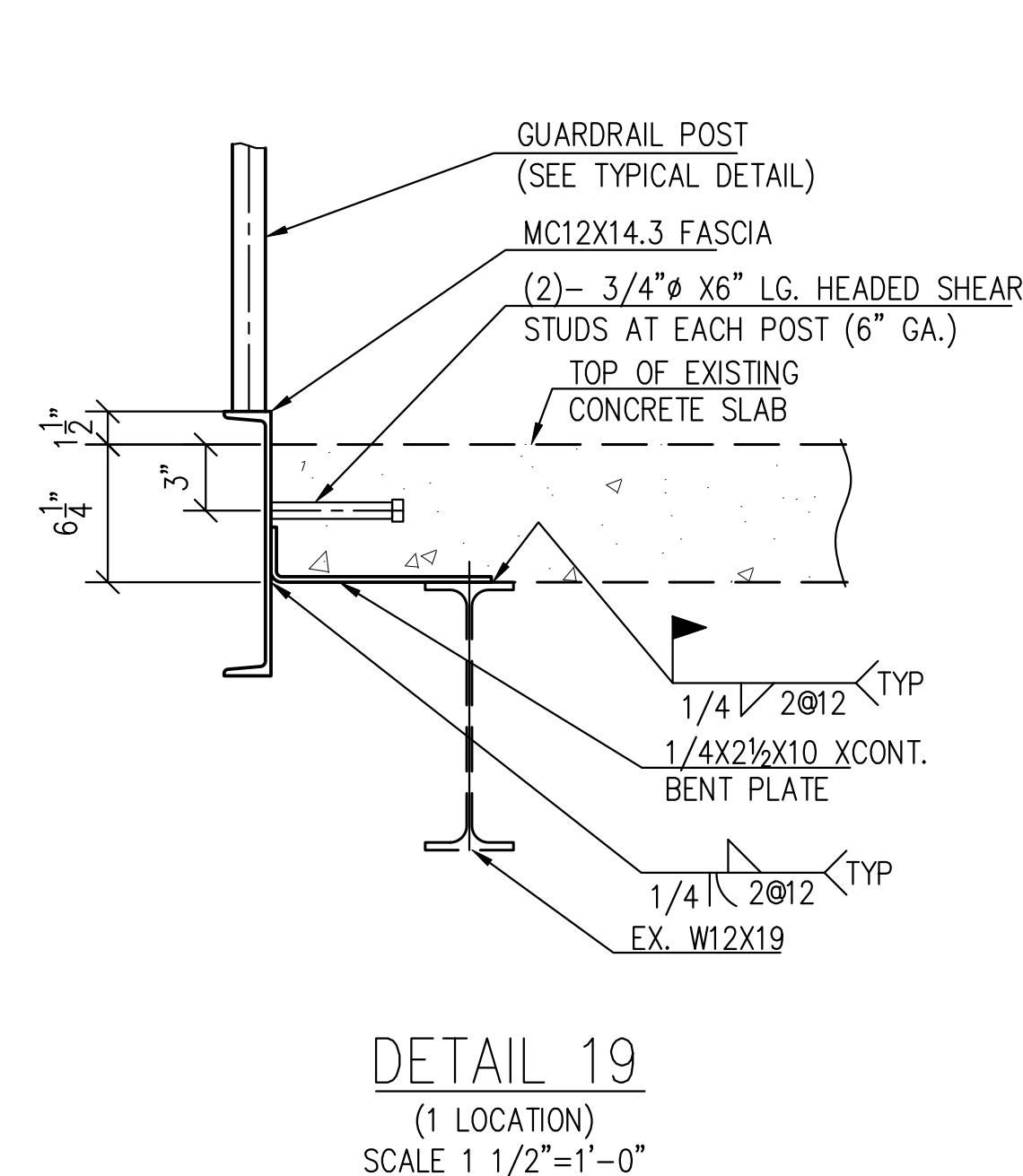
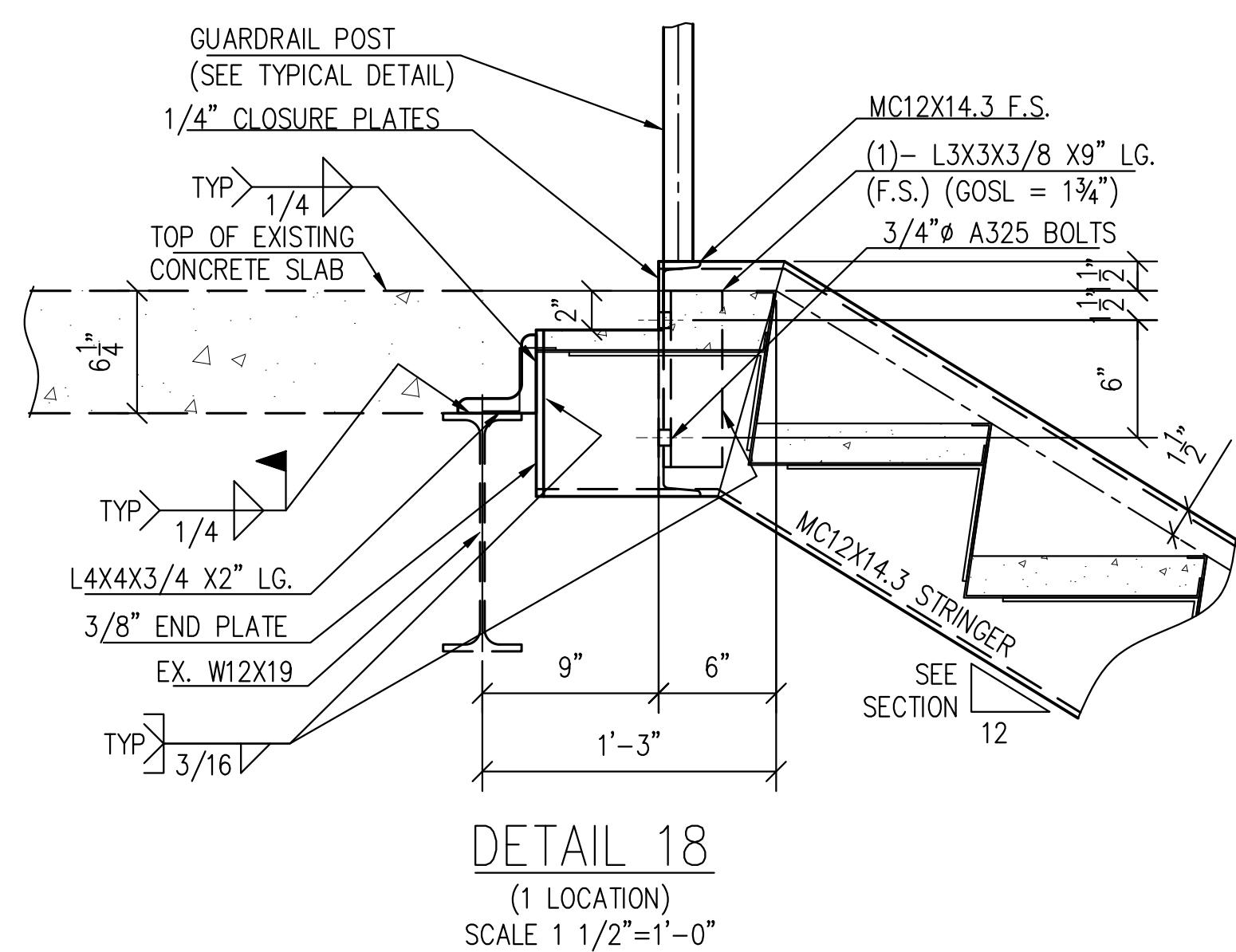
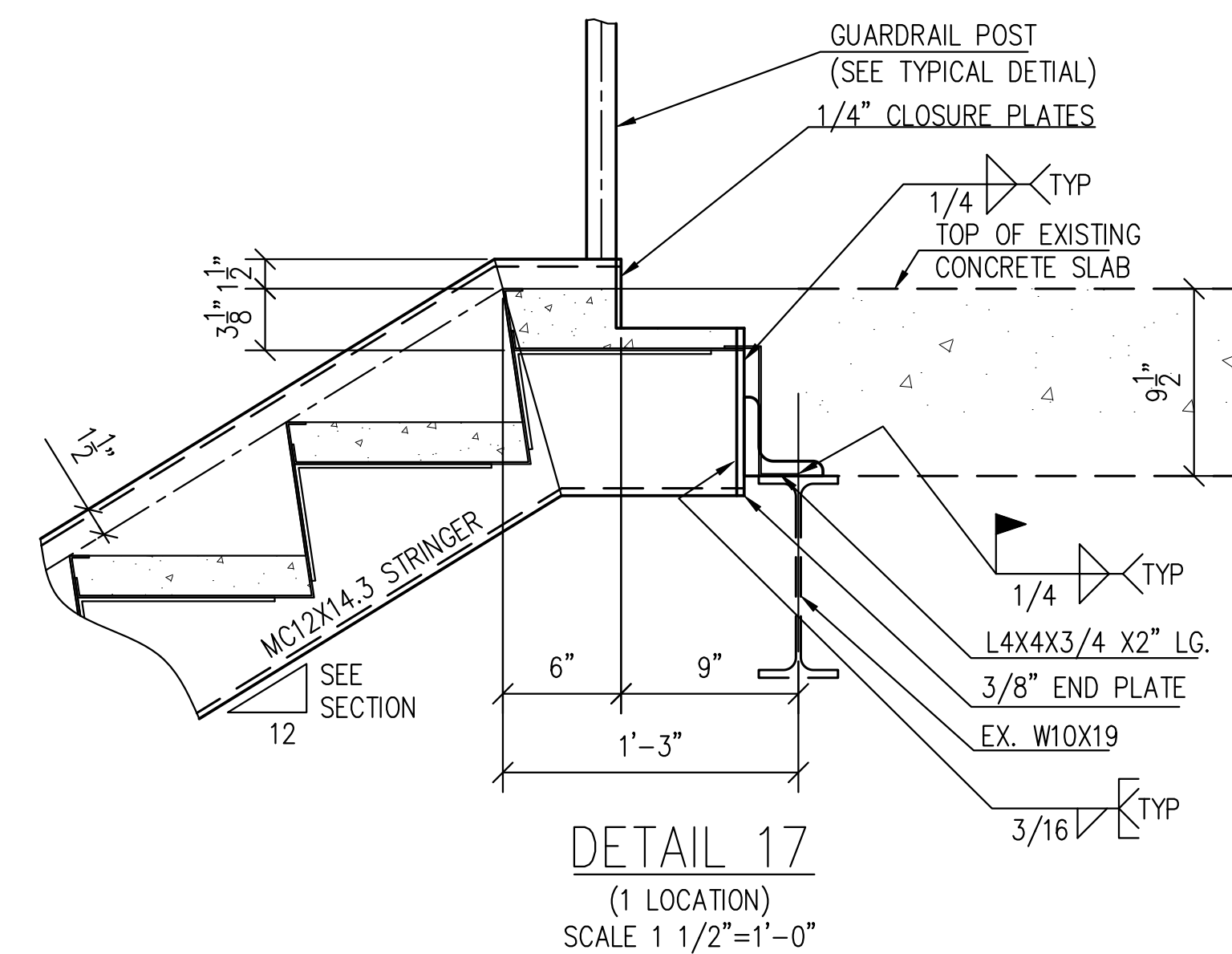
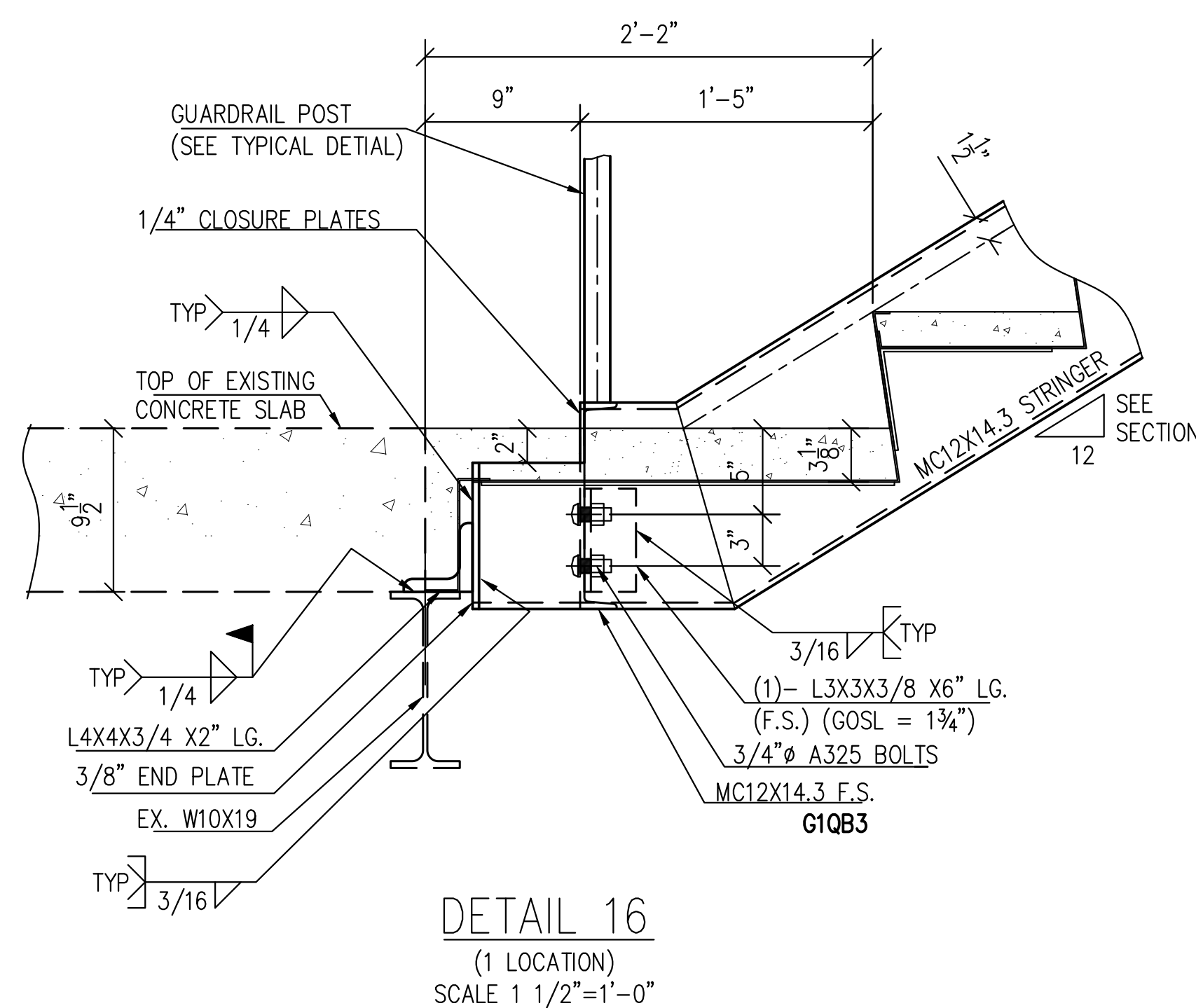
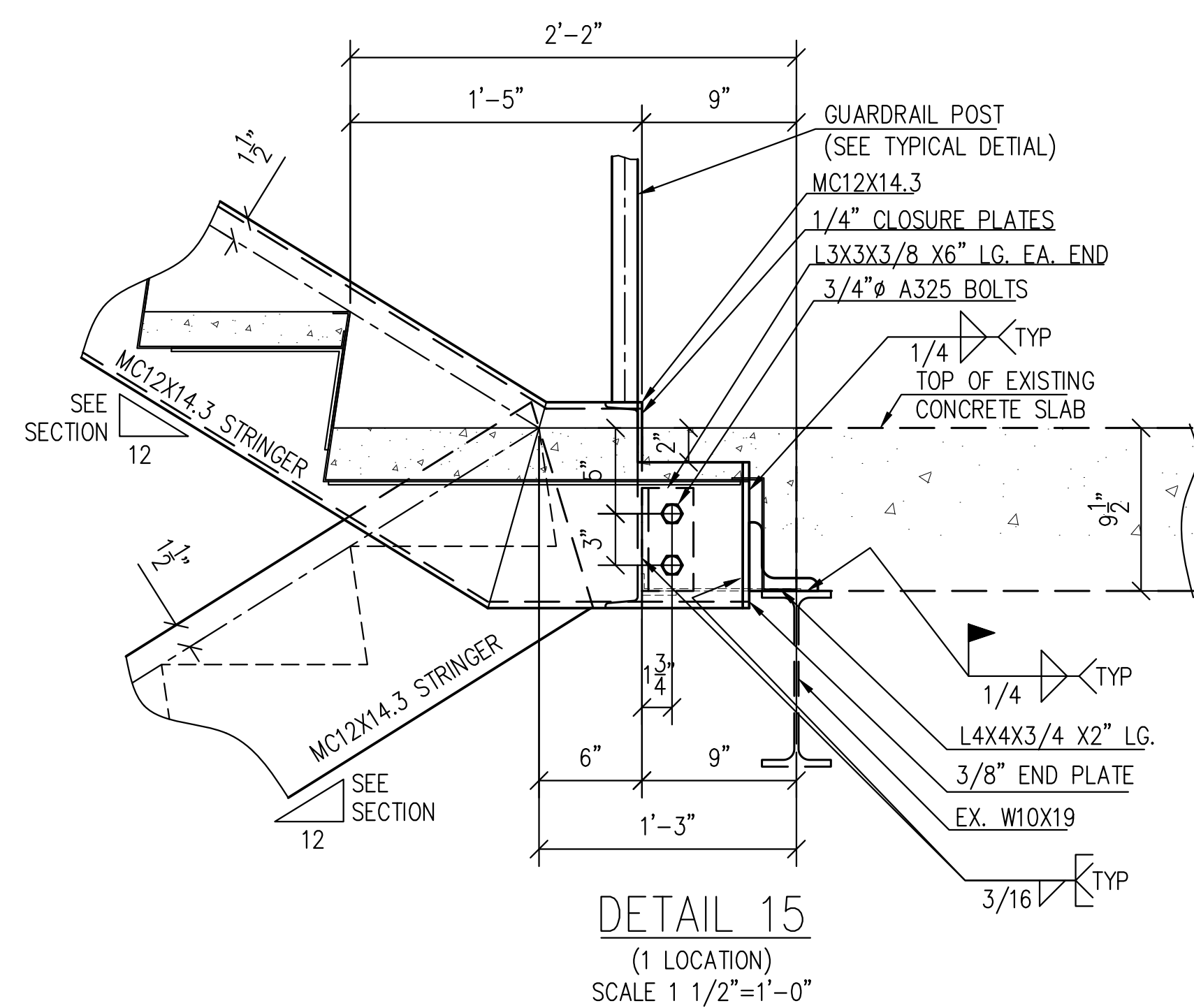
WELDS: E70XX U.O.N. HOLES: 1/16" U.O.N.
FINISH: ONE COAT SHOP PRIMER U.O.N.



FOR FAB. & ERECTION:
9/6/2022

REFERENCE DESIGN DRAWINGS:
A121, A362, A655, A656, S111

JOB NAME:	ITEM NUMBER: -
JOB NUMBER: -	DATE: 7/14/2022
JOB LOCATION: CAMBRIDGE, MA	DETAILER: TS
GENERAL CONTRACTOR:	DRAWING NO.: G1-11
ITEM DESCRIPTION: GARAGE STAIR G1	



DETAIL KEY:
G1-9: TYPICAL DETAILS
G1-10: DETAILS 1-7
G1-11: DETAILS 8-14
G1-12: DETAILS 15-21

GENERAL NOTES:

- V.I.F. INDICATES DIMENSION TO BE VERIFIED IN FIELD
- F.V. INDICATES FIELD VERIFIED DIMENSION
- ALL CHANNELS, ANGLES, AND PLATES TO BE ASTM A36 U.O.N.
- ALL WIDE FLANGE SECTIONS TO BE ASTM A992 U.O.N.
- ALL HSS SECTIONS TO BE ASTM A500 GRADE B U.O.N.
- ALL PIPE TO BE ASTM A500 GRADE B U.O.N.
- ALL MECHANICAL TUBE TO BE ASTM A513 U.O.N.

REVISION	DESCRIPTION	DATE	BY
5	SHOP DRAWINGS FOR FAB. & ERECTION	9/6/2022	TS
4	SHOP DRAWINGS FOR FAB. & ERECTION	8/29/2022	TS
3	SHOP DRAWINGS FOR APPROVAL	8/17/2022	TS
2	SHOP DRAWINGS FOR APPROVAL	8/4/2022	TS
1	SHOP DRAWINGS FOR COORDINATION	8/1/2022	TS
0	SHOP DRAWINGS FOR APPROVAL	7/15/2022	TS

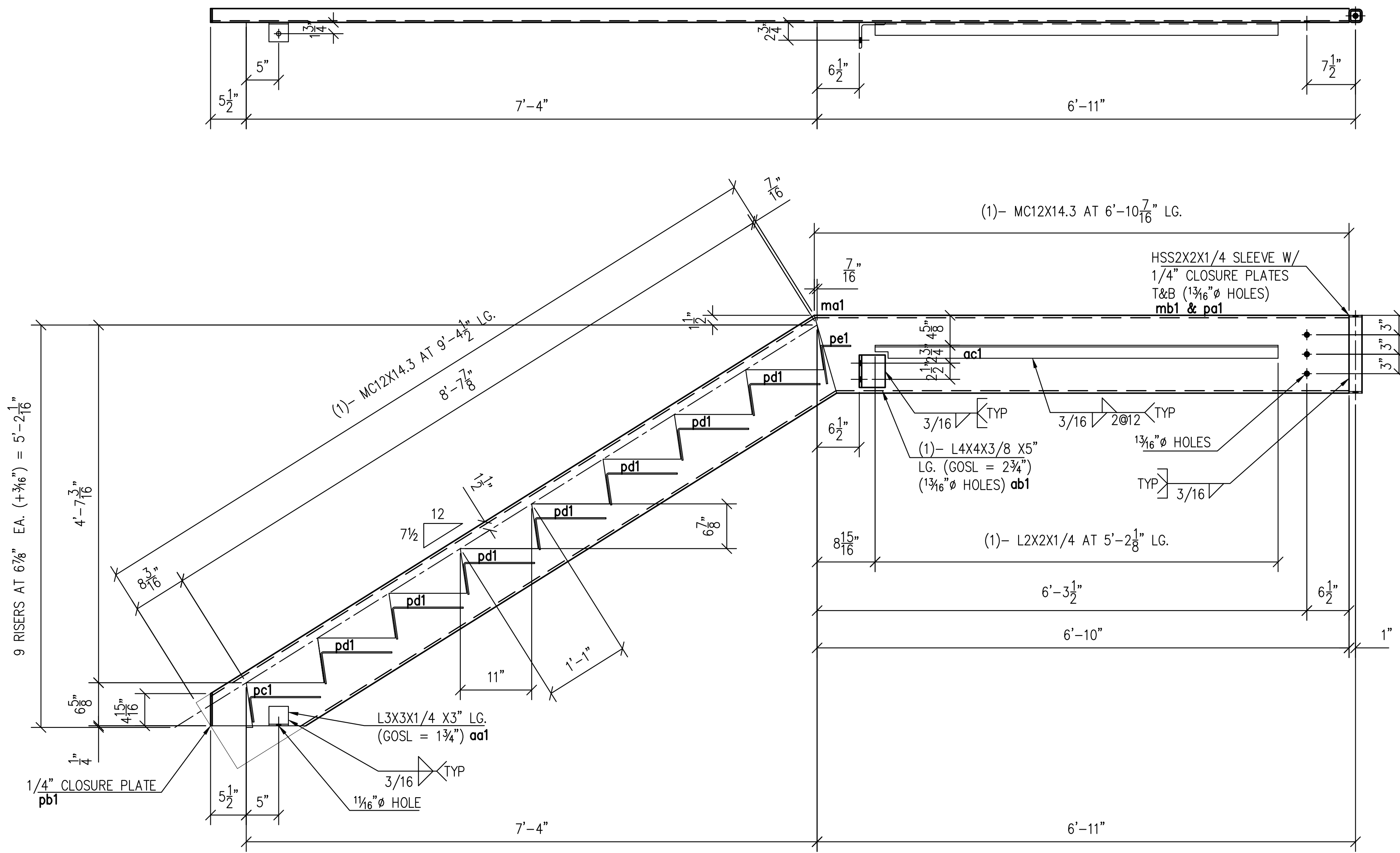
WELDS: E70XX U.O.N. HOLES: 1/16" diameter U.O.N.
FINISH: ONE COAT SHOP PRIMER U.O.N.



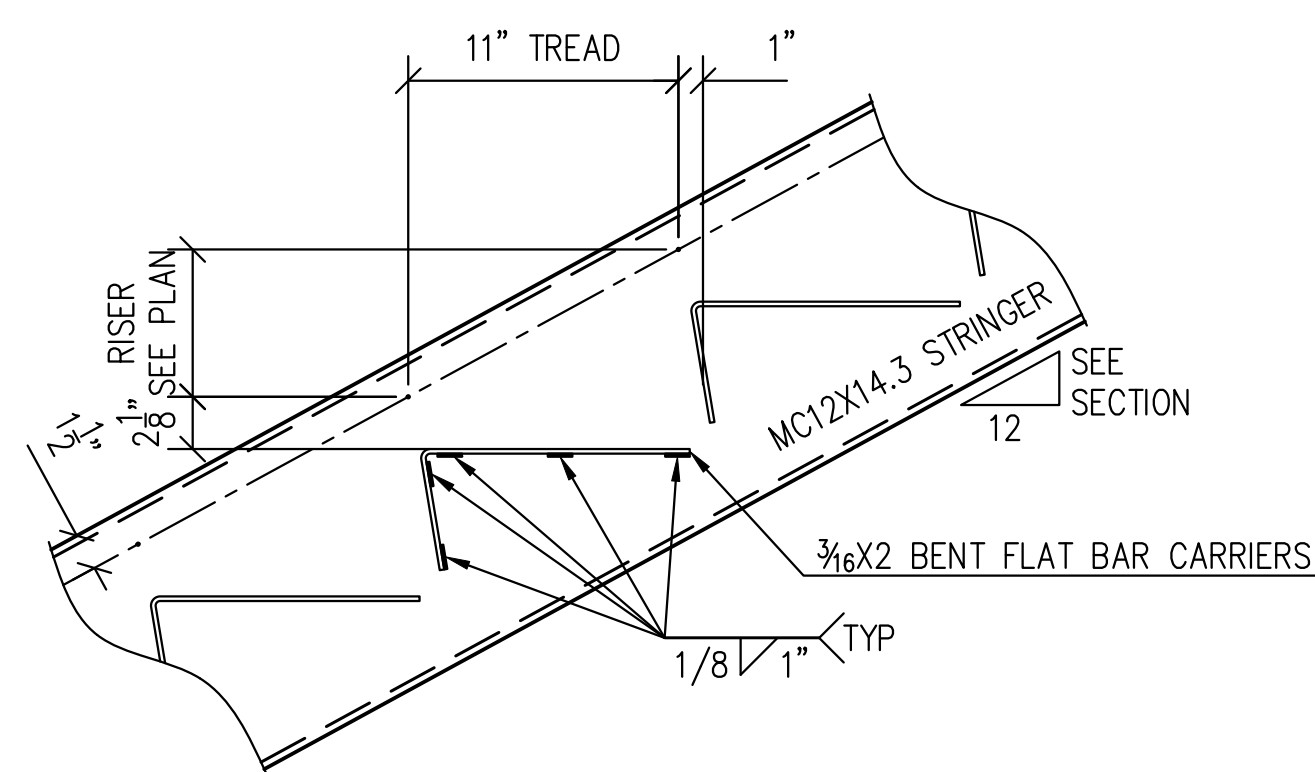
FOR FAB. & ERECTION:
9/6/2022

REFERENCE DESIGN DRAWINGS:
A121, A362, A655, A656, S111

JOB NAME:	ITEM NUMBER: -
JOB NUMBER: -	DATE: 7/14/2022
JOB LOCATION: CAMBRIDGE, MA	DETAILER: TS
GENERAL CONTRACTOR:	DRAWING NO.: G1-12
ITEM DESCRIPTION: GARAGE STAIR G1	



G1AB1
 LEVEL GO TO LANDING G1-0A
 (1 REQ.)



TYPICAL CARRIER DETAIL
 SCALE 1 1/2"=1'-0"

BILL OF MATERIALS

REQ.	PC. MARK	SHAPE	LENGTH	REMARKS
1	G1AB1	MC12X14.3	9' 4 1/2"	-
1	ma1	MC12X14.3	6' 10 7/16"	-
1	mb1	HSS2X2X1/4	0' 11 1/2"	-
1	aa1	L3X3X1/4	0' 3"	-
1	ab1	L4X4X3/8	0' 5"	-
1	ac1	L2X2X1/4	5' 2 7/8"	-
2	pa1	R1/4X2	0' 2"	-
1	pb1	R1/4X2 1/2	0' 4 15/16"	-
1	pc1	R 3/8 X2 BENT CARRIER	1' 3" ±	-
7	pd1	R 3/8 X2 BENT CARRIER	1' 4" ±	-
1	pe1	R 3/8 X2 BENT CARRIER	0' 11" ±	-

GENERAL NOTES:

- V.I.F. INDICATES DIMENSION TO BE VERIFIED IN FIELD
- F.V. INDICATES FIELD VERIFIED DIMENSION
- ALL CHANNELS, ANGLES, AND PLATES TO BE ASTM A36 U.O.N.
- ALL WIDE FLANGE SECTIONS TO BE ASTM A992 U.O.N.
- ALL HSS SECTIONS TO BE ASTM A500 GRADE B U.O.N.
- ALL PIPE TO BE ASTM A500 GRADE B U.O.N.
- ALL MECHANICAL TUBE TO BE ASTM A513 U.O.N.

REVISION	DESCRIPTION	DATE	BY
5	SHOP DRAWINGS FOR FAB. & ERECTION	9/6/2022	TS
4	SHOP DRAWINGS FOR FAB. & ERECTION	8/29/2022	TS
3	SHOP DRAWINGS FOR APPROVAL	8/17/2022	TS
2	SHOP DRAWINGS FOR APPROVAL	8/4/2022	TS
1	SHOP DRAWINGS FOR COORDINATION	8/1/2022	TS
0	SHOP DRAWINGS FOR APPROVAL	7/15/2022	TS

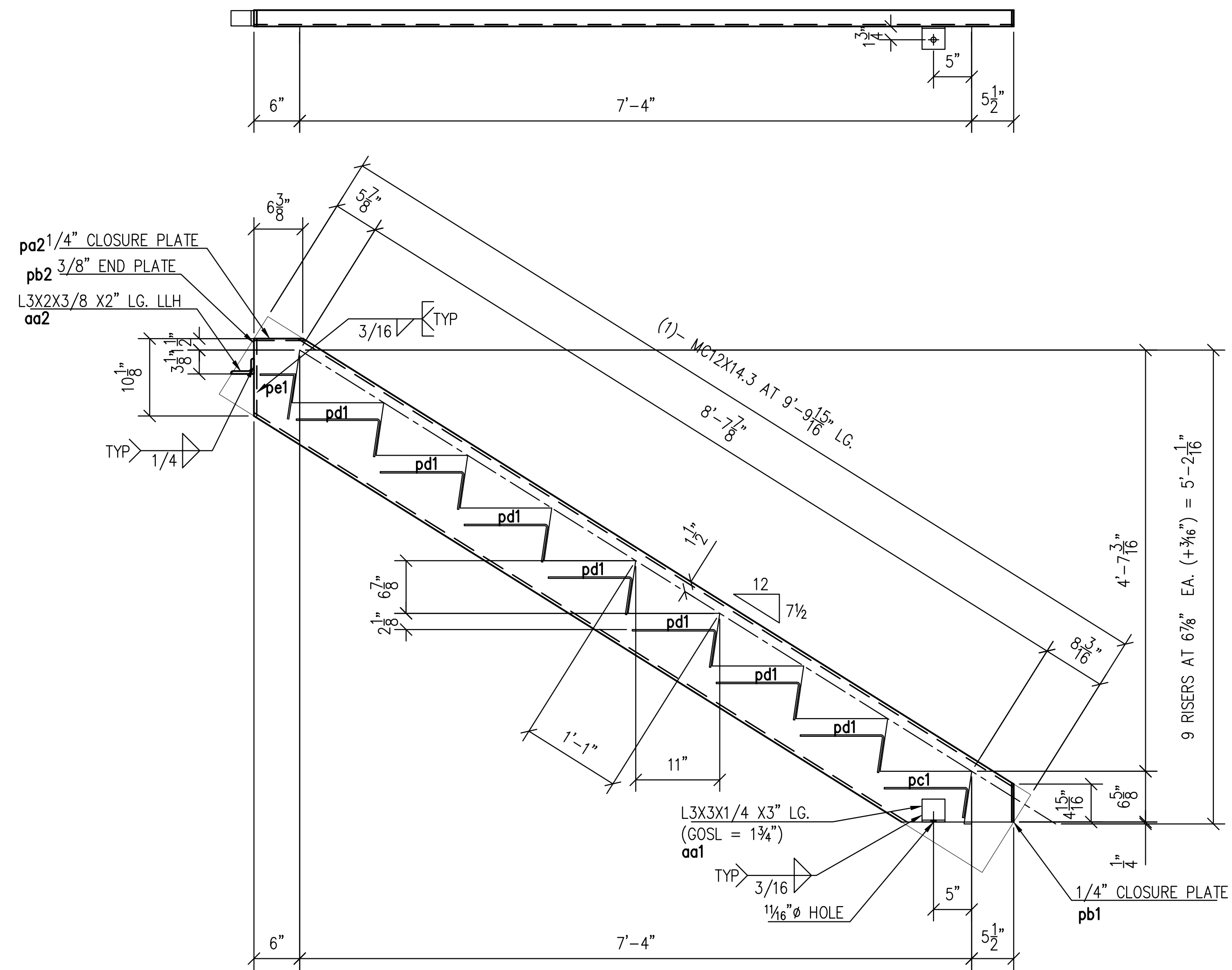
WELDS: E70XX U.O.N. HOLES: 1 3/16" Ø U.O.N.
 FINISH: ONE COAT SHOP PRIMER U.O.N.



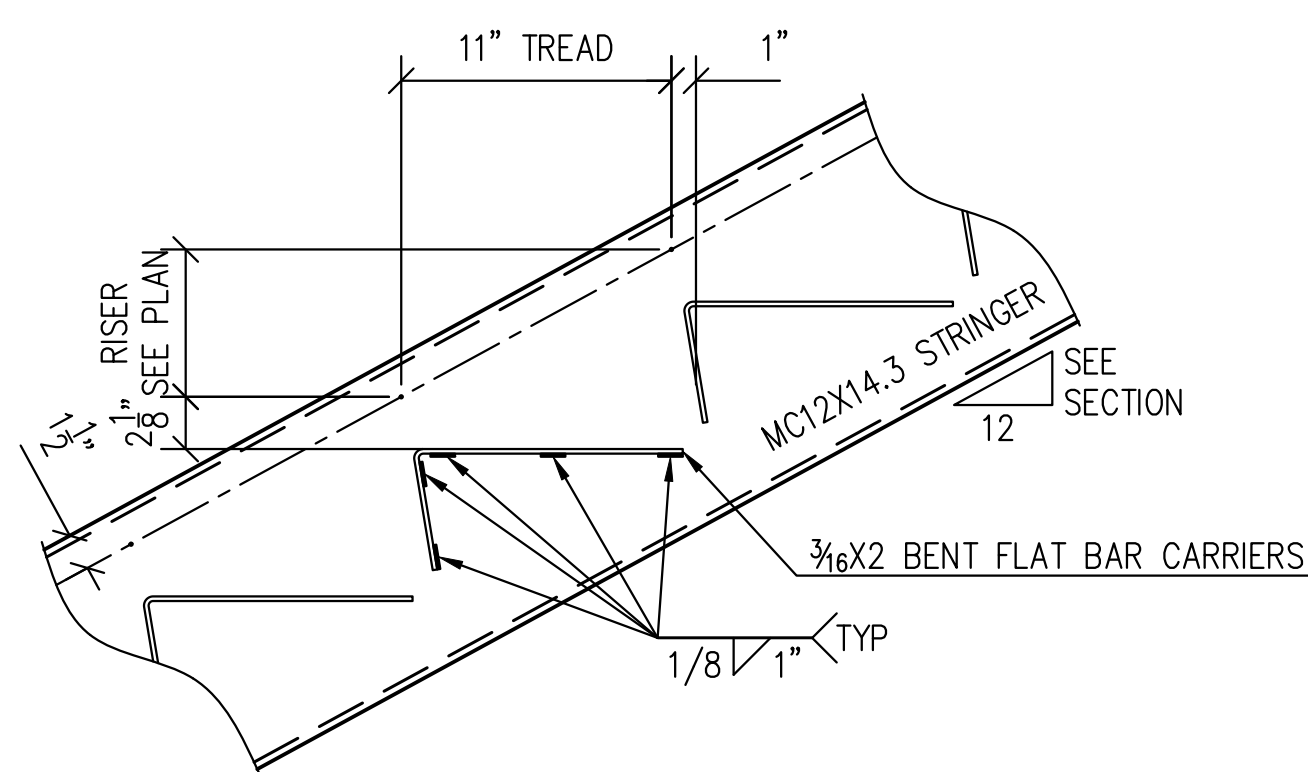
FOR FAB. & ERECTION:
 9/6/2022

REFERENCE DESIGN DRAWINGS:
 A121, A362, A655, A656, S111

JOB NAME:	ITEM NUMBER: -
JOB NUMBER: -	DATE: 7/14/2022
JOB LOCATION: CAMBRIDGE, MA	DETAILER: TS
GENERAL CONTRACTOR:	ITEM DESCRIPTION: GARAGE STAIR G1
	DRAWING NO.: G1A



G1BB1
LEVEL GO TO LANDING G1-0A
(1 REQ.)



TYPICAL CARRIER DETAIL

SCALE 1 1/2"=1'-0"

BILL OF MATERIALS

REQ.	PC. MARK	SHAPE	LENGTH	REMARKS
1	G1BB1	MC12X14.3	9' 9 15/16"	-
1	pb1	R1/4X2 1/8	0' 4 19/16"	-
1	pc1	R 3/8 X 2 BENT CARRIER	1' 3" ±	-
7	pd1	R 3/8 X 2 BENT CARRIER	1' 4" ±	-
1	pe1	R 3/8 X 2 BENT CARRIER	0' 11" ±	-
1	pa2	R1/4X2 1/8	0' 6 3/8"	-
1	pb2	R3/8X2 1/8	0' 10 1/8"	-
1	aa1	L3X3X1/4	0' 3"	-
1	aa2	L3X2X3/8	0' 2"	-

GENERAL NOTES:

1. V.I.F. INDICATES DIMENSION TO BE VERIFIED IN FIELD
2. F.V. INDICATES FIELD VERIFIED DIMENSION
3. ALL CHANNELS, ANGLES, AND PLATES TO BE ASTM A36 U.O.N.
4. ALL WIDE FLANGE SECTIONS TO BE ASTM A992 U.O.N.
5. ALL HSS SECTIONS TO BE ASTM A500 GRADE B U.O.N.
6. ALL PIPE TO BE ASTM A500 GRADE B U.O.N.
7. ALL MECHANICAL TUBE TO BE ASTM A513 U.O.N.

REVISION	DESCRIPTION	DATE	BY
5	SHOP DRAWINGS FOR FAB. & ERECTION	9/6/2022	TS
4	SHOP DRAWINGS FOR FAB. & ERECTION	8/29/2022	TS
3	SHOP DRAWINGS FOR APPROVAL	8/17/2022	TS
2	SHOP DRAWINGS FOR APPROVAL	8/4/2022	TS
1	SHOP DRAWINGS FOR COORDINATION	8/1/2022	TS
0	SHOP DRAWINGS FOR APPROVAL	7/15/2022	TS

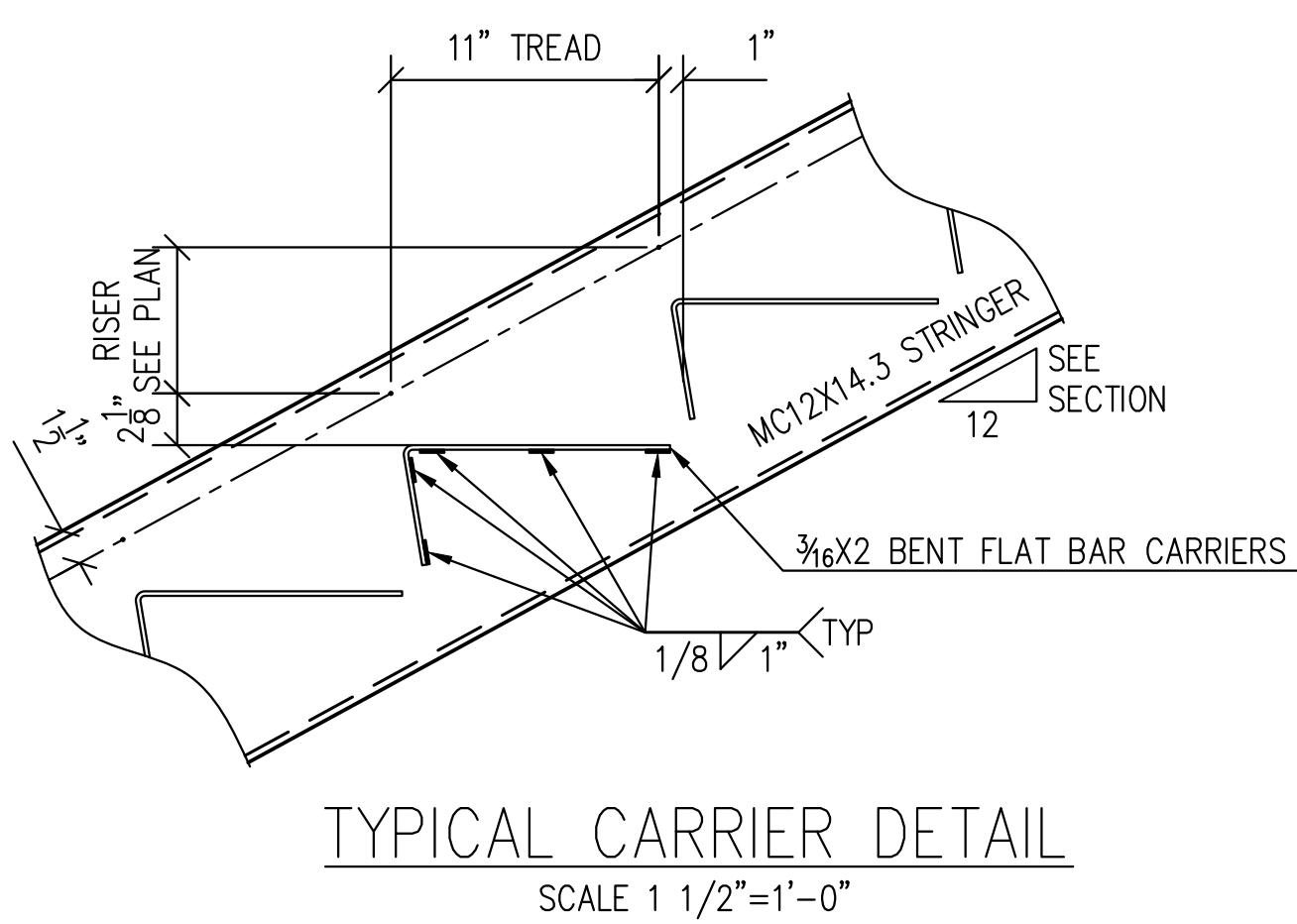
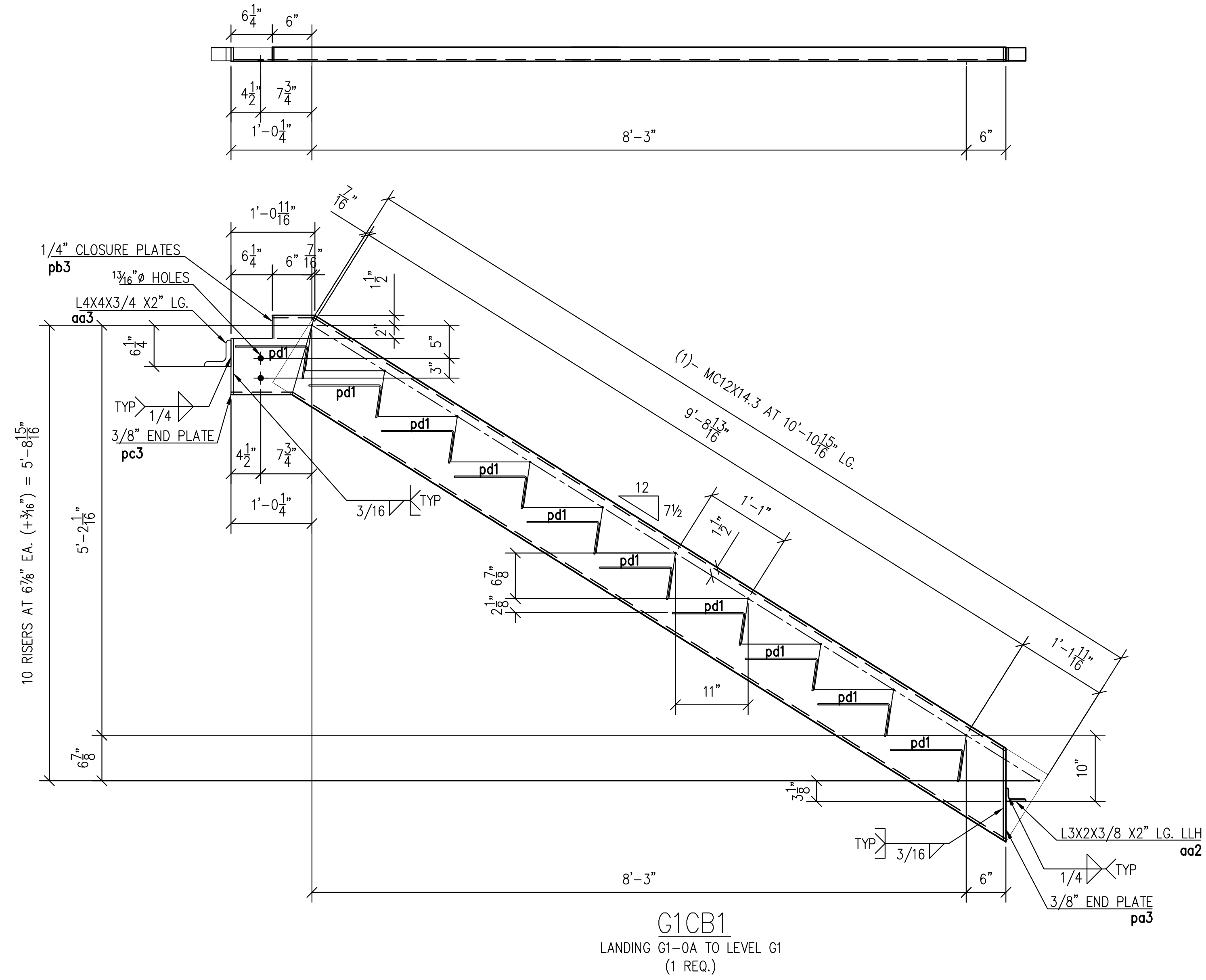
WELDS: E70XX U.O.N. HOLES: 13/16" Ø U.O.N.
FINISH: ONE COAT SHOP PRIMER U.O.N.



FOR FAB. & ERECTION:
9/6/2022

REFERENCE DESIGN DRAWINGS:
A121, A362, A655, A656, S111

JOB NAME:	ITEM NUMBER: -
JOB NUMBER: -	DATE: 7/14/2022
JOB LOCATION: CAMBRIDGE, MA	DETAILER: TS
GENERAL CONTRACTOR:	
ITEM DESCRIPTION: GARAGE STAIR G1	DRAWING NO.: G1B

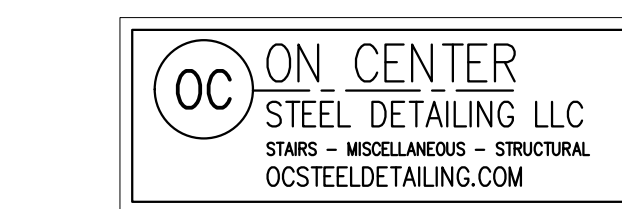


BILL OF MATERIALS				
REQ.	PC. MARK	SHAPE	LENGTH	REMARKS
1	G1CB1	MC12X14.3	10' 10 15/16"	-
1	ma3	MC12X14.3	1' 0 1/16"	-
1	aa2	L3X2X3/8	0' 2"	-
1	aa3	L4X4X3/4	0' 2"	-
10	pd1	3/8" X 2" BENT CARRIER	1' 4" ±	-
1	pa3	3/8" X 2 1/8"	1' 2 3/16"	-
1	pb3	1/4" X 2 1/8"	0' 3 1/2"	-
1	pc3	3/8" X 2 1/8"	0' 8 1/2"	-

- GENERAL NOTES:**
1. V.I.F. INDICATES DIMENSION TO BE VERIFIED IN FIELD
 2. F.V. INDICATES FIELD VERIFIED DIMENSION
 3. ALL CHANNELS, ANGLES, AND PLATES TO BE ASTM A36 U.O.N.
 4. ALL WIDE FLANGE SECTIONS TO BE ASTM A992 U.O.N.
 5. ALL HSS SECTIONS TO BE ASTM A500 GRADE B U.O.N.
 6. ALL PIPE TO BE ASTM A500 GRADE B U.O.N.
 7. ALL MECHANICAL TUBE TO BE ASTM A513 U.O.N.

REVISION	DESCRIPTION	DATE	BY
5	SHOP DRAWINGS FOR FAB. & ERECTION	9/6/2022	TS
4	SHOP DRAWINGS FOR FAB. & ERECTION	8/29/2022	TS
3	SHOP DRAWINGS FOR APPROVAL	8/17/2022	TS
2	SHOP DRAWINGS FOR APPROVAL	8/4/2022	TS
1	SHOP DRAWINGS FOR COORDINATION	8/1/2022	TS
0	SHOP DRAWINGS FOR APPROVAL	7/15/2022	TS

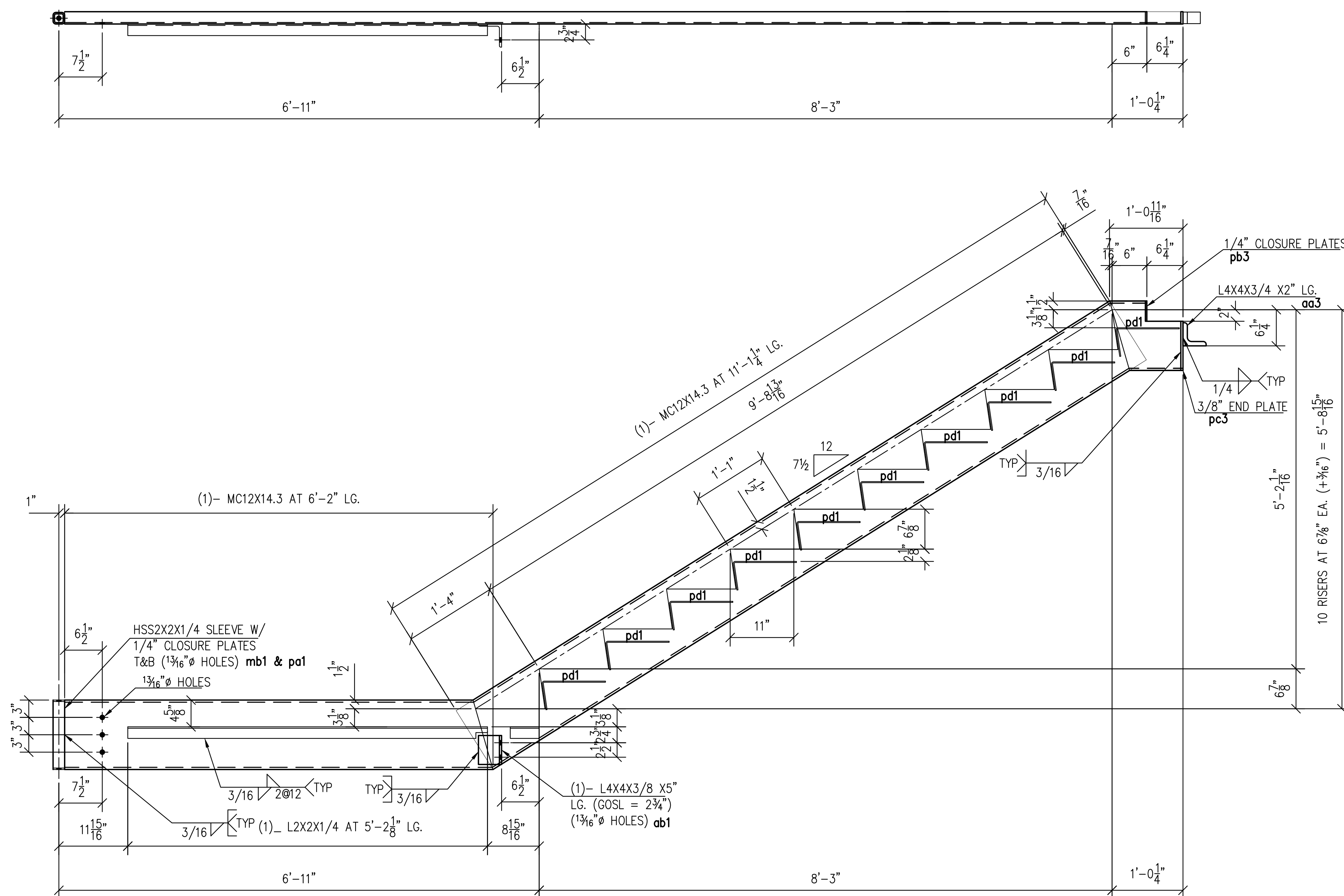
WELDS: E70XX U.O.N. HOLES: 13/16" φ U.O.N.
FINISH: ONE COAT SHOP PRIMER U.O.N.



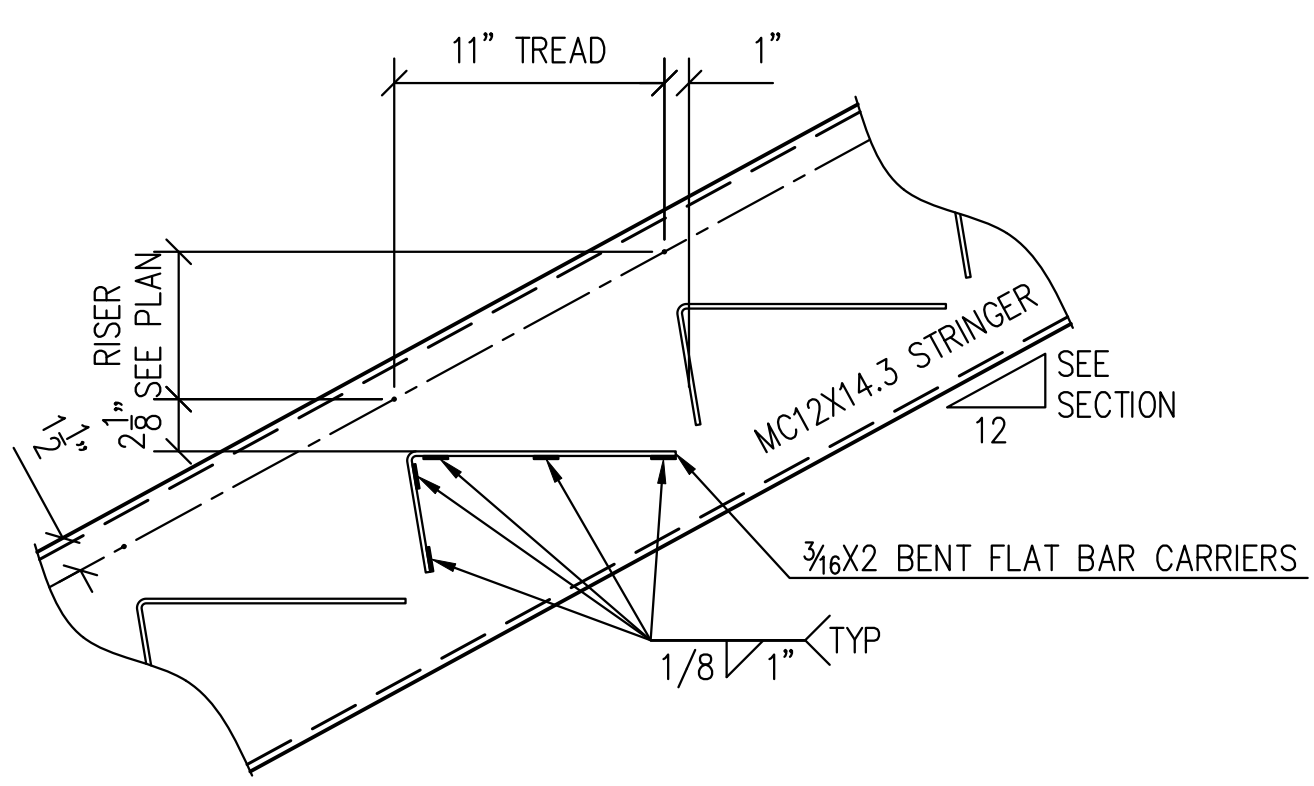
FOR FAB. & ERECTION:
9/6/2022

REFERENCE DESIGN DRAWINGS:
A121, A362, A655, A656, S111

JOB NAME:	ITEM NUMBER: -
JOB NUMBER: -	DATE: 7/14/2022
JOB LOCATION: CAMBRIDGE, MA	DETAILER: TS
GENERAL CONTRACTOR:	ITEM DESCRIPTION: GARAGE STAIR G1
	DRAWING NO.: G1C



G1DB1
LANDING G1-0A TO LEVEL G1
(1 REQ.)



TYPICAL CARRIER DETAIL
SCALE 1 1/2\"/>

BILL OF MATERIALS				
REQ.	PC. MARK	SHAPE	LENGTH	REMARKS
1	G1DB1	MC12X14.3	11' 1 1/4"	-
1	ma4	MC12X14.3	1' 0 1/16"	-
1	mb4	MC12X14.3	6' 2"	-
1	mb1	HSS2X2X1/4	0' 11 1/2"	-
1	ab1	L4X4X3/8	0' 5"	-
1	aa3	L4X4X3/4	0' 2"	-
1	aa4	L2X2X1/4	5' 2 1/8"	-
1	ab4	L2X2X1/4	0' 5"	-
2	pa1	R1/4X2	0' 2"	-
10	pd1	R 3/16 X2 BENT CARRIER	1' 4" ±	-
1	pb3	R1/4X2 1/8	0' 3 1/2"	-
1	pc3	R3/8X2 1/8	0' 8 1/2"	-

GENERAL NOTES:

- V.I.F. INDICATES DIMENSION TO BE VERIFIED IN FIELD
- F.V. INDICATES FIELD VERIFIED DIMENSION
- ALL CHANNELS, ANGLES, AND PLATES TO BE ASTM A36 U.O.N.
- ALL WIDE FLANGE SECTIONS TO BE ASTM A992 U.O.N.
- ALL HSS SECTIONS TO BE ASTM A500 GRADE B U.O.N.
- ALL PIPE TO BE ASTM A500 GRADE B U.O.N.
- ALL MECHANICAL TUBE TO BE ASTM A513 U.O.N.

REVISION	DESCRIPTION	DATE	BY
5	SHOP DRAWINGS FOR FAB. & ERECTION	9/6/2022	TS
4	SHOP DRAWINGS FOR FAB. & ERECTION	8/29/2022	TS
3	SHOP DRAWINGS FOR APPROVAL	8/17/2022	TS
2	SHOP DRAWINGS FOR APPROVAL	8/4/2022	TS
1	SHOP DRAWINGS FOR COORDINATION	8/1/2022	TS
0	SHOP DRAWINGS FOR APPROVAL	7/15/2022	TS

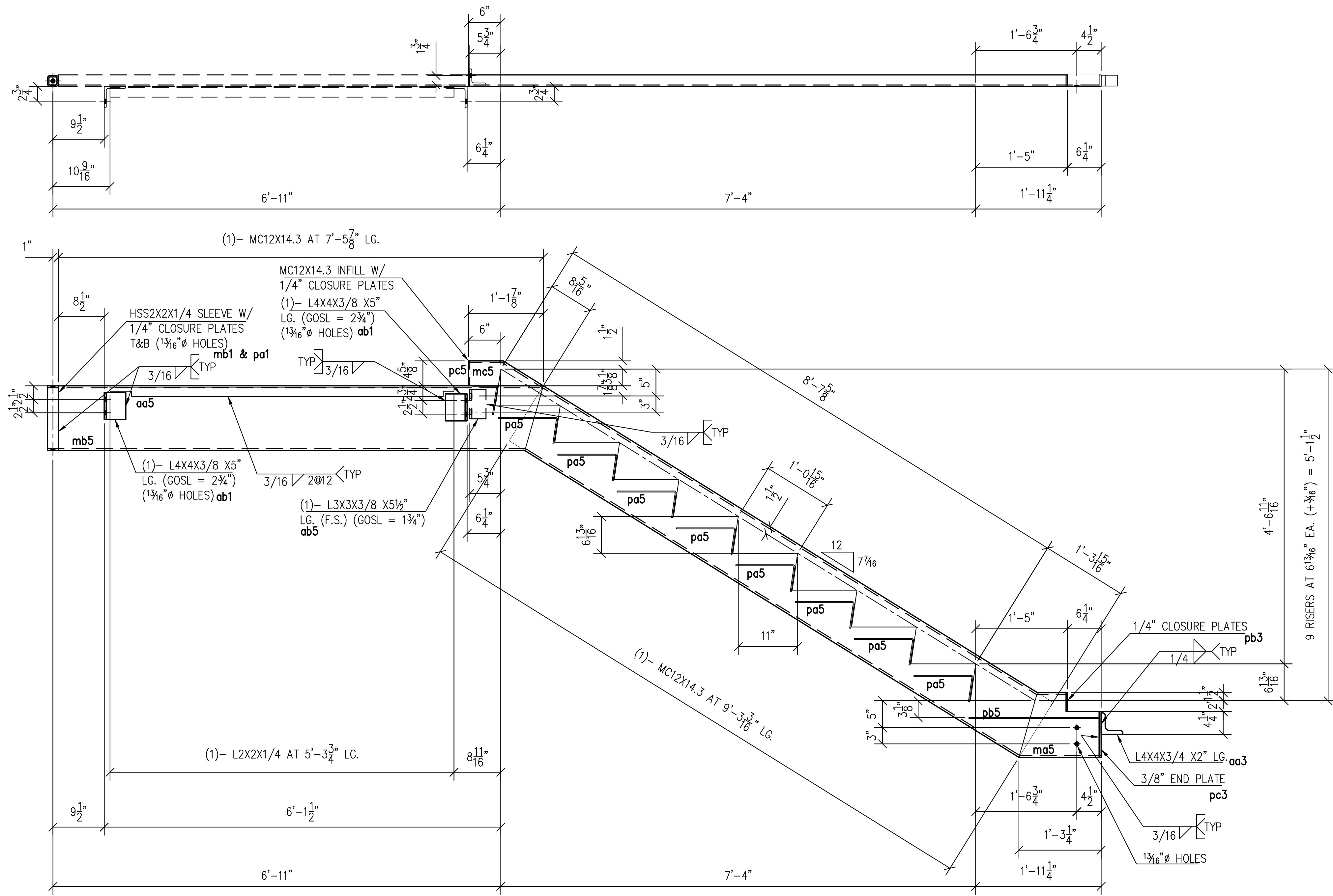
WELDS: E70XX U.O.N. HOLES: 1 3/16" Ø U.O.N.
FINISH: ONE COAT SHOP PRIMER U.O.N.



FOR FAB. & ERECTION:
9/6/2022

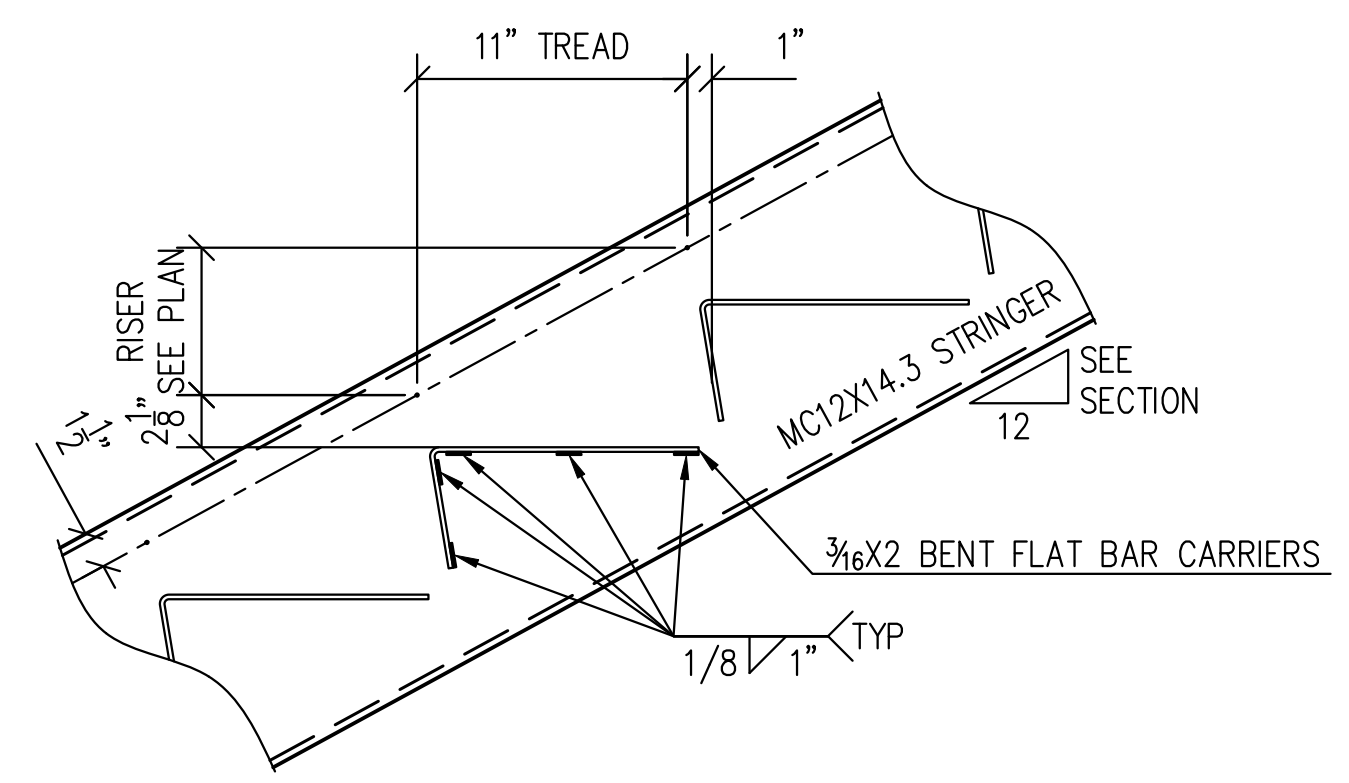
REFERENCE DESIGN DRAWINGS:
A121, A362, A655, A656, S111

JOB NAME:	ITEM NUMBER: -
JOB NUMBER: -	DATE: 7/14/2022
JOB LOCATION: CAMBRIDGE, MA	DETAILER: TS
GENERAL CONTRACTOR:	ITEM DESCRIPTION: GARAGE STAIR G1
DRAWING NO.: G1D	



BILL OF MATERIALS				
REQ.	PC. MARK	SHAPE	LENGTH	REMARKS
1	G1EB1	MC12X14.3	9' 3 3/16"	-
1	ma5	MC12X14.3	1' 3 1/4"	-
1	mb5	MC12X14.3	7' 5 3/8"	-
1	mc5	MC12X14.3	1' 2 1/4"	-
1	mb1	HSS2X2X1/4	0' 11 1/2"	-
2	ab1	L4X4X3/8	0' 5"	-
1	aa3	L4X4X3/4	0' 2"	-
1	aa5	L2X2X1/4	5' 3 3/4"	-
1	ab5	L3X3X1/4	0' 5 1/2"	-
2	pa1	R1/4X2	0' 2"	-
8	pa5	R 3/16 X 2 BENT CARRIER	1' 4" ±	-
1	pb5	R 3/16 X 2 CARRIER	2' 0"	-
1	pb3	R1/4X2 1/8	0' 3 1/2"	-
1	pc3	R3/8X2 1/8	0' 8 1/2"	-
1	pc5	R1/4X2 1/8	0' 4 9/16"	-

G1EB1
 LEVEL G1 TO LANDING G1-1A
 LEVEL G2 TO LANDING G1-2A
 LEVEL G4 TO LANDING G1-4A
 (3 REQ.)



TYPICAL CARRIER DETAIL
 SCALE 1 1/2" = 1'-0"

GENERAL NOTES:

- V.I.F. INDICATES DIMENSION TO BE VERIFIED IN FIELD
- F.V. INDICATES FIELD VERIFIED DIMENSION
- ALL CHANNELS, ANGLES, AND PLATES TO BE ASTM A36 U.O.N.
- ALL WIDE FLANGE SECTIONS TO BE ASTM A992 U.O.N.
- ALL HSS SECTIONS TO BE ASTM A500 GRADE B U.O.N.
- ALL PIPE TO BE ASTM A500 GRADE B U.O.N.
- ALL MECHANICAL TUBE TO BE ASTM A513 U.O.N.

REVISION	DESCRIPTION	DATE	BY
5	SHOP DRAWINGS FOR FAB. & ERECTION	9/6/2022	TS
4	SHOP DRAWINGS FOR FAB. & ERECTION	8/29/2022	TS
3	SHOP DRAWINGS FOR APPROVAL	8/17/2022	TS
2	SHOP DRAWINGS FOR APPROVAL	8/4/2022	TS
1	SHOP DRAWINGS FOR COORDINATION	8/1/2022	TS
0	SHOP DRAWINGS FOR APPROVAL	7/15/2022	TS

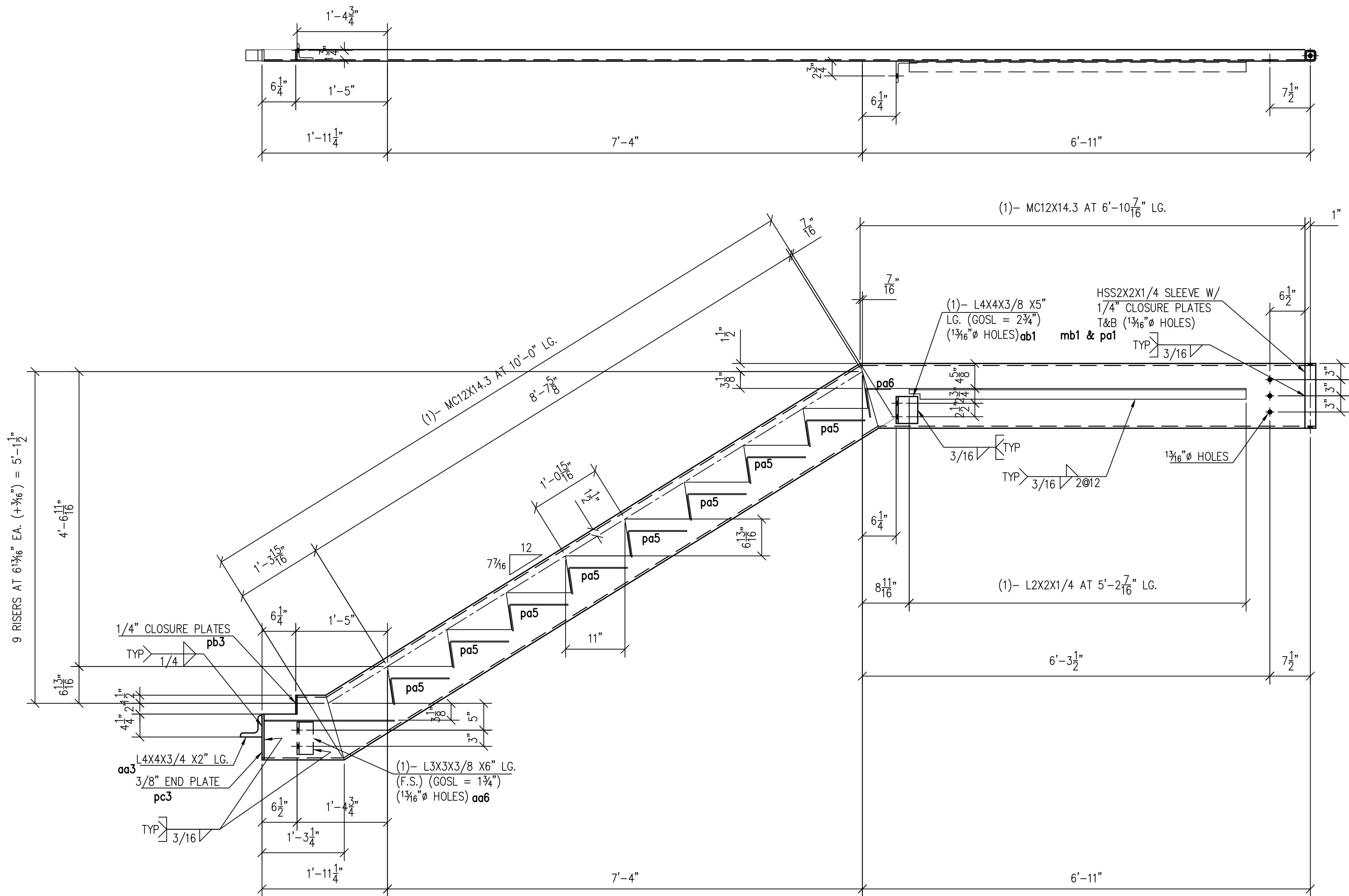
WELDS: E70XX U.O.N. HOLES: 1 3/16" Ø U.O.N.
 FINISH: ONE COAT SHOP PRIMER U.O.N.



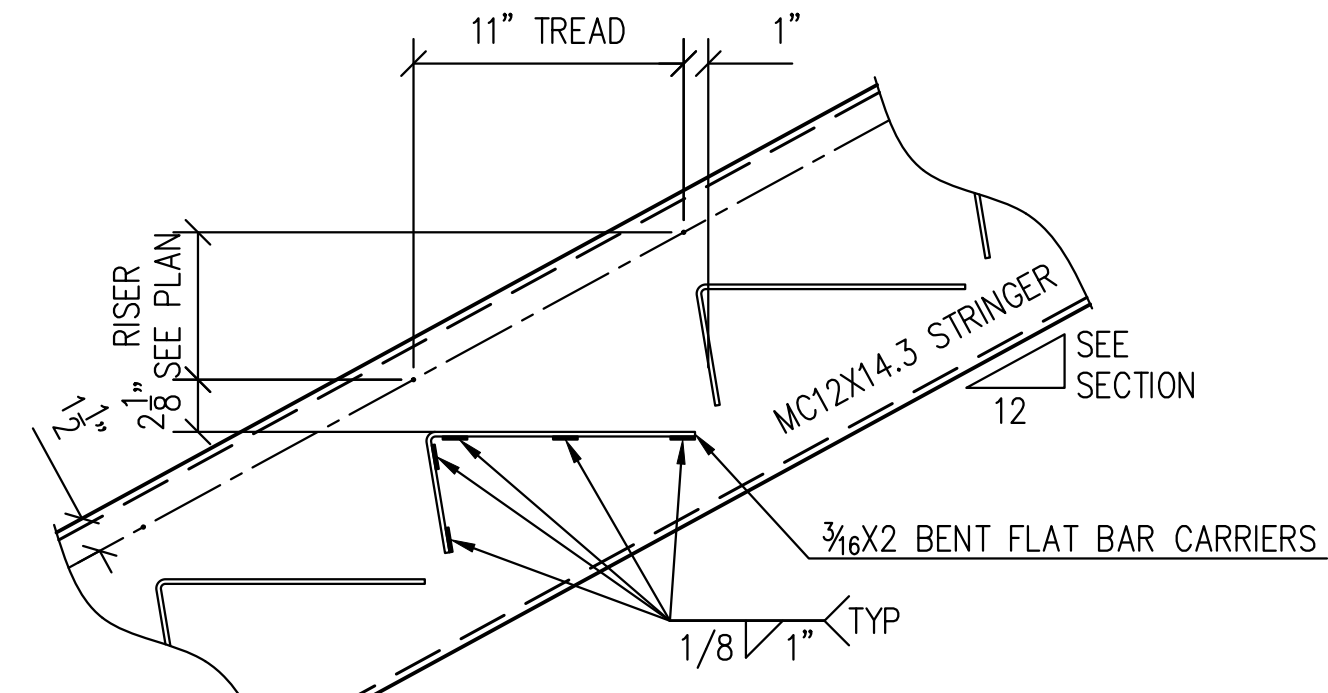
FOR FAB. & ERECTION:
 9/6/2022

REFERENCE DESIGN DRAWINGS:
 A121, A362, A655, A656, S111

JOB NAME:	ITEM NUMBER: -
JOB NUMBER: -	DATE: 7/14/2022
JOB LOCATION: CAMBRIDGE, MA	DETAILER: TS
GENERAL CONTRACTOR:	ITEM DESCRIPTION: GARAGE STAIR G1
DRAWING NO.: G1E	



9 RISERS AT 6 1/16" EA. (+3/16") = 5'-1 1/2"



TYPICAL CARRIER DETAIL
SCALE 1 1/2"=1'-0"

G1FB1
LEVEL G1 TO LANDING G1-1A
LEVEL G2 TO LANDING G1-2A
LEVEL G4 TO LANDING G1-4A
(3 REQ.)

BILL OF MATERIALS				
REQ.	PC. MARK	SHAPE	LENGTH	REMARKS
3	G1FB1	MC12X14.3	10' 0"	-
3	ma6	MC12X14.3	1' 3 1/4"	-
3	mb6	MC12X14.3	6' 10 7/16"	-
3	mb1	HSS2X2X1/4	0' 11 1/2"	-
3	ab1	L4X4X3/8	0' 5"	-
3	aa3	L4X4X3/4	0' 2"	-
3	aa6	L3X3X3/8	0' 6"	-
3	ab6	L2X2X1/4	5' 2 7/16"	-
6	pa1	R1/4X2	0' 2"	-
24	pa5	R 3/16 X2 BENT CARRIER	1' 4" ±	-
3	pb5	R 3/16 X2 CARRIER	2' 0"	-
3	pa6	R 3/16 X2 BENT CARRIER	0' 10" ±	-
3	pb3	R1/4X2 1/8	0' 3 1/2"	-
3	pc3	R3/8X2 1/8	0' 8 1/2"	-

GENERAL NOTES:

- V.I.F. INDICATES DIMENSION TO BE VERIFIED IN FIELD
- F.V. INDICATES FIELD VERIFIED DIMENSION
- ALL CHANNELS, ANGLES, AND PLATES TO BE ASTM A36 U.O.N.
- ALL WIDE FLANGE SECTIONS TO BE ASTM A992 U.O.N.
- ALL HSS SECTIONS TO BE ASTM A500 GRADE B U.O.N.
- ALL PIPE TO BE ASTM A500 GRADE B U.O.N.
- ALL MECHANICAL TUBE TO BE ASTM A513 U.O.N.

REVISION	DESCRIPTION	DATE	BY
5	SHOP DRAWINGS FOR FAB. & ERECTION	9/6/2022	TS
4	SHOP DRAWINGS FOR FAB. & ERECTION	8/29/2022	TS
3	SHOP DRAWINGS FOR APPROVAL	8/17/2022	TS
2	SHOP DRAWINGS FOR APPROVAL	8/4/2022	TS
1	SHOP DRAWINGS FOR COORDINATION	8/1/2022	TS
0	SHOP DRAWINGS FOR APPROVAL	7/15/2022	TS

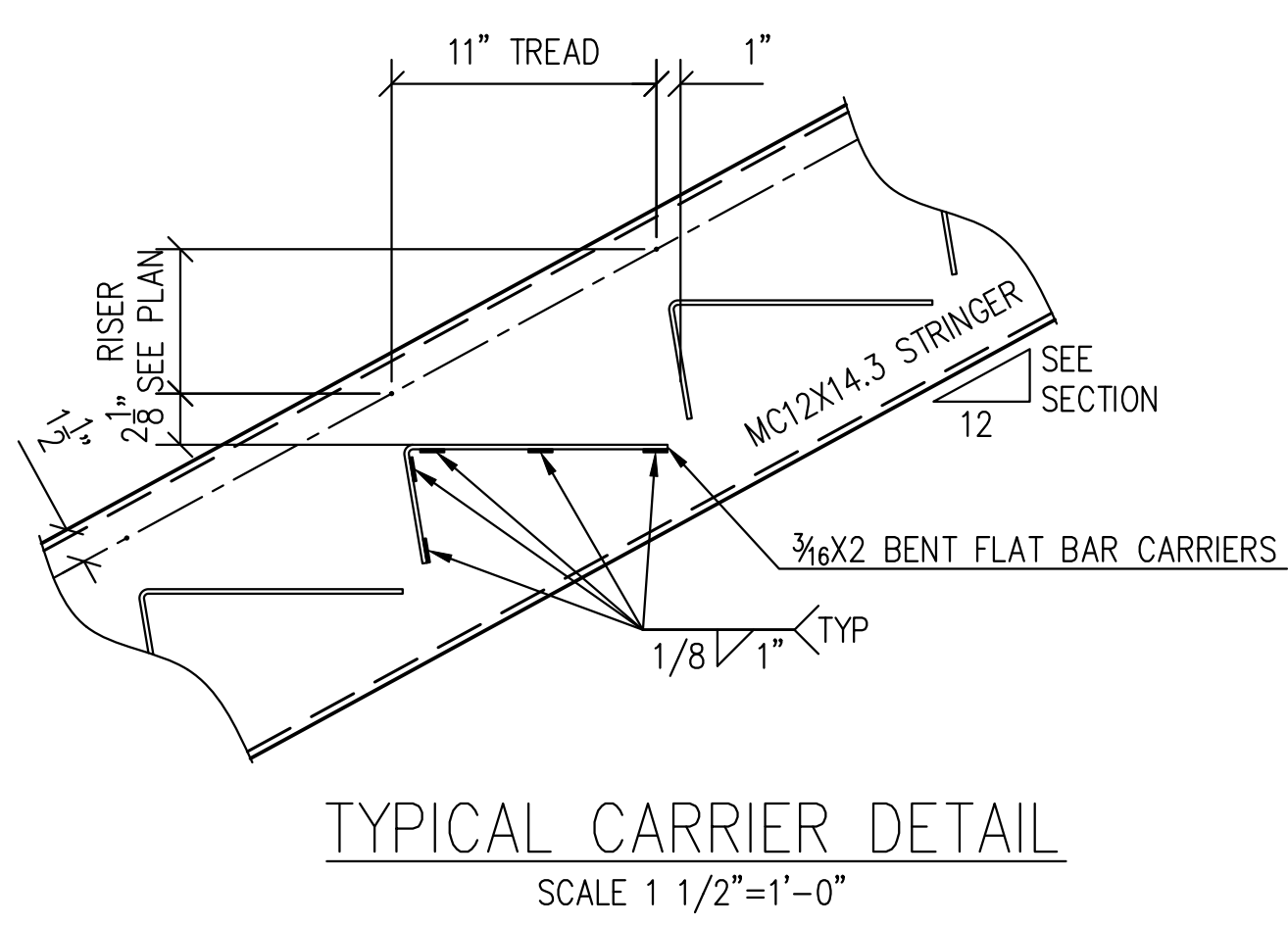
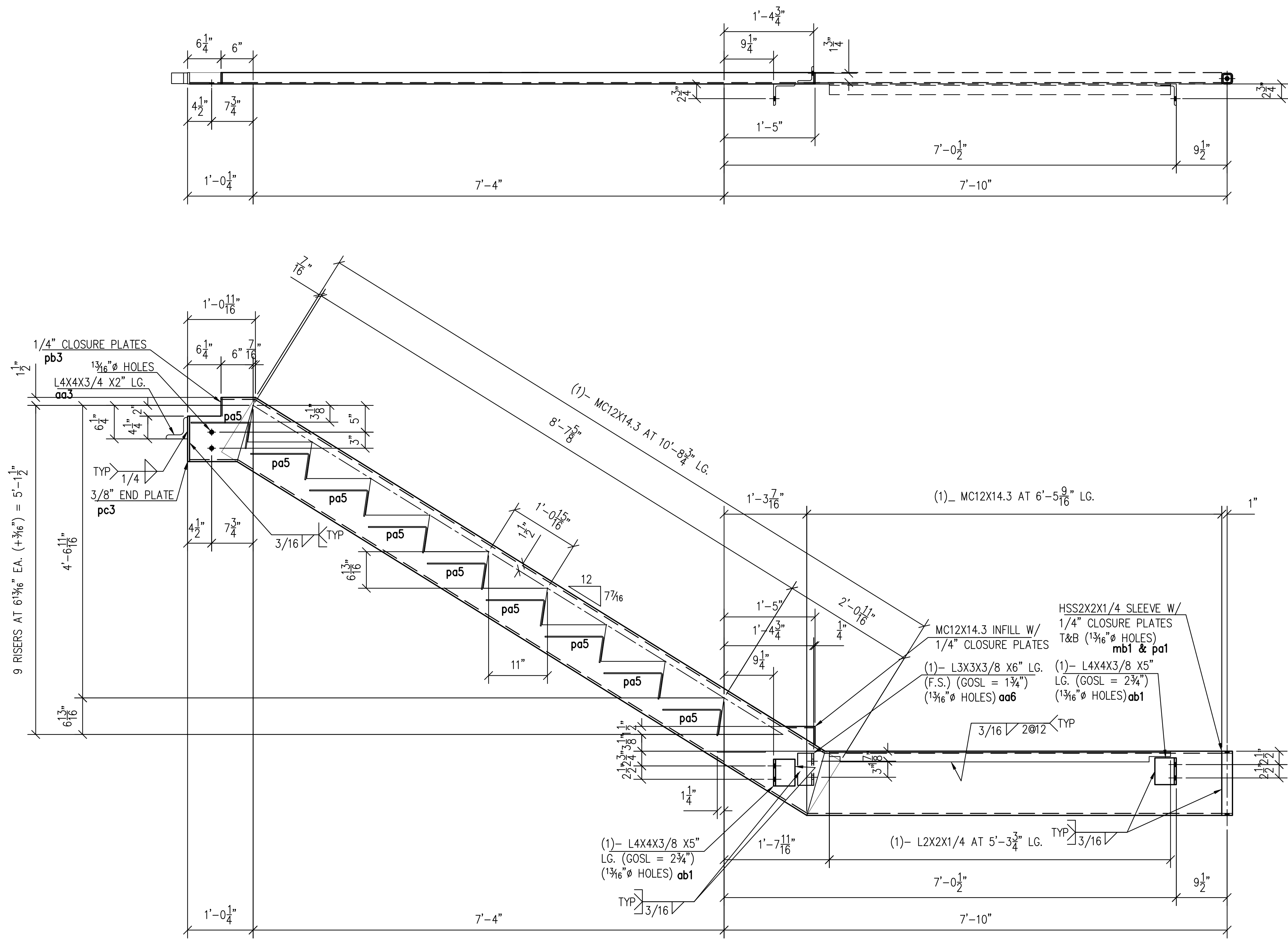
WELDS: E70XX U.O.N. HOLES: 13/16" Ø U.O.N.
FINISH: ONE COAT SHOP PRIMER U.O.N.



FOR FAB. & ERECTION:
9/6/2022

REFERENCE DESIGN DRAWINGS:
A121, A362, A655, A656, S111

JOB NAME:	ITEM NUMBER: -
JOB NUMBER: -	DATE: 7/14/2022
JOB LOCATION: CAMBRIDGE, MA	DETAILER: TS
GENERAL CONTRACTOR:	ITEM DESCRIPTION: GARAGE STAIR G1
DRAWING NO.: G1F	



BILL OF MATERIALS				
REQ.	PC. MARK	SHAPE	LENGTH	REMARKS
2	G1GB1	MC12X14.3	10' 8 3/4"	-
2	ma7	MC12X14.3	6' 5 9/16"	-
2	mb7	MC12X14.3	1' 0 1/16"	-
2	mb1	HSS2X2X1/4	0' 11 1/2"	-
4	ab1	L4X4X3/8	0' 5"	-
2	aa3	L4X4X3/4	0' 2"	-
2	aa6	L3X3X3/8	0' 6"	-
2	aa7	L2X2X1/4	5' 3 3/4"	-
4	pa1	R1/4X2	0' 2"	-
18	pa5	R 3/16 X2 BENT CARRIER	1' 4" ±	-
2	pa7	R 3/16 X2 CARRIER	0' 9"	-
2	pb3	R1/4X2 1/8	0' 3 1/2"	-
2	pc3	R3/8X2 1/8	0' 8 1/2"	-

GENERAL NOTES:

- V.I.F. INDICATES DIMENSION TO BE VERIFIED IN FIELD
- F.V. INDICATES FIELD VERIFIED DIMENSION
- ALL CHANNELS, ANGLES, AND PLATES TO BE ASTM A36 U.O.N.
- ALL WIDE FLANGE SECTIONS TO BE ASTM A992 U.O.N.
- ALL HSS SECTIONS TO BE ASTM A500 GRADE B U.O.N.
- ALL PIPE TO BE ASTM A500 GRADE B U.O.N.
- ALL MECHANICAL TUBE TO BE ASTM A513 U.O.N.

REVISION	DESCRIPTION	DATE	BY
5	SHOP DRAWINGS FOR FAB. & ERECTION	9/6/2022	TS
4	SHOP DRAWINGS FOR FAB. & ERECTION	8/29/2022	TS
3	SHOP DRAWINGS FOR APPROVAL	8/17/2022	TS
2	SHOP DRAWINGS FOR APPROVAL	8/4/2022	TS
1	SHOP DRAWINGS FOR COORDINATION	8/1/2022	TS
0	SHOP DRAWINGS FOR APPROVAL	7/15/2022	TS

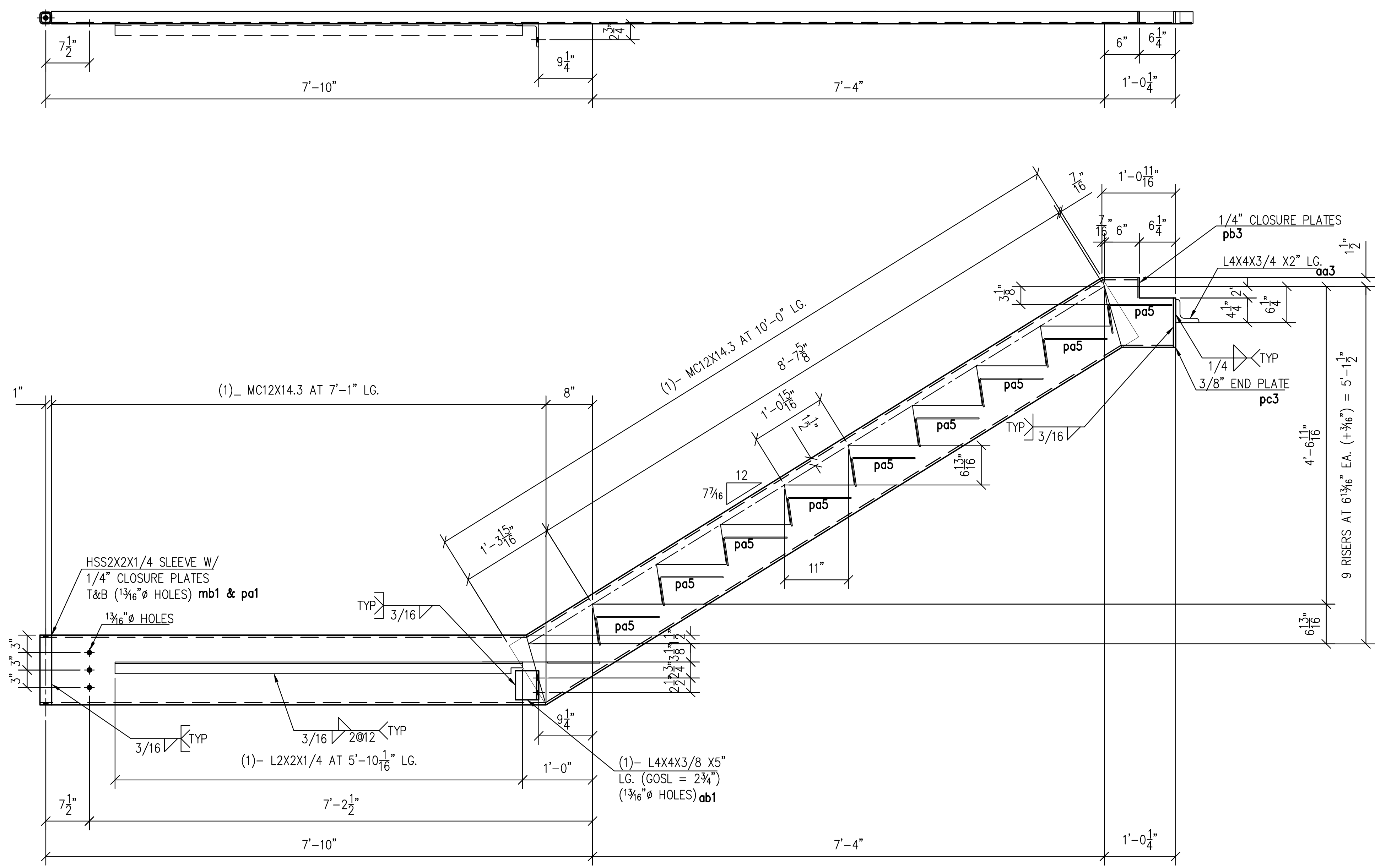
WELDS: E70XX U.O.N. HOLES: 1 3/16" Ø U.O.N.
 FINISH: ONE COAT SHOP PRIMER U.O.N.



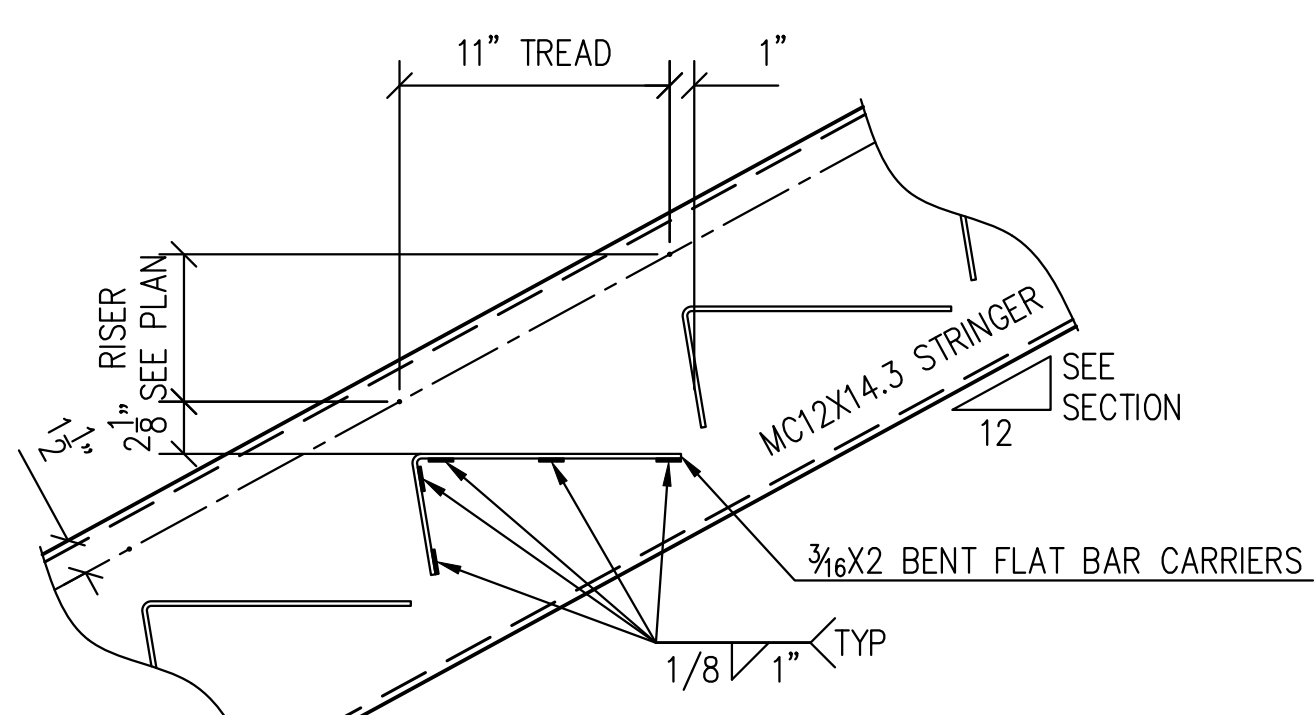
FOR FAB. & ERECTION:
 9/6/2022

REFERENCE DESIGN DRAWINGS:
 A121, A362, A655, A656, S111

JOB NAME:	ITEM NUMBER: -
JOB NUMBER: -	DATE: 7/14/2022
JOB LOCATION: CAMBRIDGE, MA	DETAILER: TS
GENERAL CONTRACTOR:	ITEM DESCRIPTION: GARAGE STAIR G1
DRAWING NO.: G1G	



G1HB1
 LANDING G1-1A TO LEVEL G2
 LANDING G1-3A TO LEVEL G4
 LANDING G1-4A TO LEVEL G5
 (3 REQ.)



TYPICAL CARRIER DETAIL
 SCALE 1 1/2"=1'-0"

BILL OF MATERIALS				
REQ.	PC. MARK	SHAPE	LENGTH	REMARKS
3	G1HB1	MC12X14.3	10' 0"	-
3	ma8	MC12X14.3	7' 1"	-
3	mb8	MC12X14.3	1' 0 1/16"	-
3	mb1	HSS2X2X1/4	0' 11 1/2"	-
3	ab1	L4X4X3/8	0' 5"	-
3	aa3	L4X4X3/4	0' 2"	-
3	aa8	L2X2X1/4	5' 10 1/16"	-
6	pa1	R1/4X2	0' 2"	-
27	pa5	R 3/16 X2 BENT CARRIER	1' 4" ±	-
3	pa7	R 3/16 X2 CARRIER	0' 9"	-
3	pb3	R1/4X2 1/8	0' 3 1/2"	-
3	pc3	R3/8X2 1/8	0' 8 1/2"	-

GENERAL NOTES:

- V.I.F. INDICATES DIMENSION TO BE VERIFIED IN FIELD
- F.V. INDICATES FIELD VERIFIED DIMENSION
- ALL CHANNELS, ANGLES, AND PLATES TO BE ASTM A36 U.O.N.
- ALL WIDE FLANGE SECTIONS TO BE ASTM A992 U.O.N.
- ALL HSS SECTIONS TO BE ASTM A500 GRADE B U.O.N.
- ALL PIPE TO BE ASTM A500 GRADE B U.O.N.
- ALL MECHANICAL TUBE TO BE ASTM A513 U.O.N.

REVISION	DESCRIPTION	DATE	BY
5	SHOP DRAWINGS FOR FAB. & ERECTION	9/6/2022	TS
4	SHOP DRAWINGS FOR FAB. & ERECTION	8/29/2022	TS
3	SHOP DRAWINGS FOR APPROVAL	8/17/2022	TS
2	SHOP DRAWINGS FOR APPROVAL	8/4/2022	TS
1	SHOP DRAWINGS FOR COORDINATION	8/1/2022	TS
0	SHOP DRAWINGS FOR APPROVAL	7/15/2022	TS

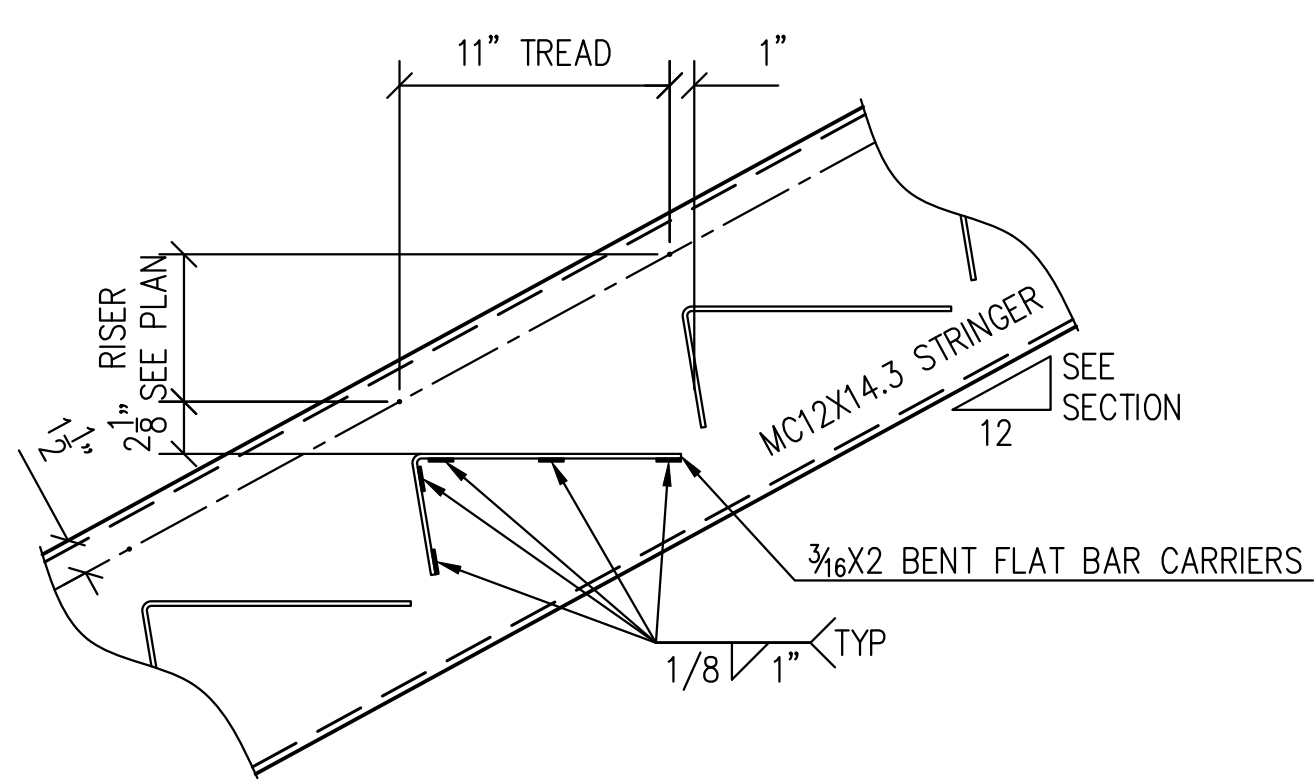
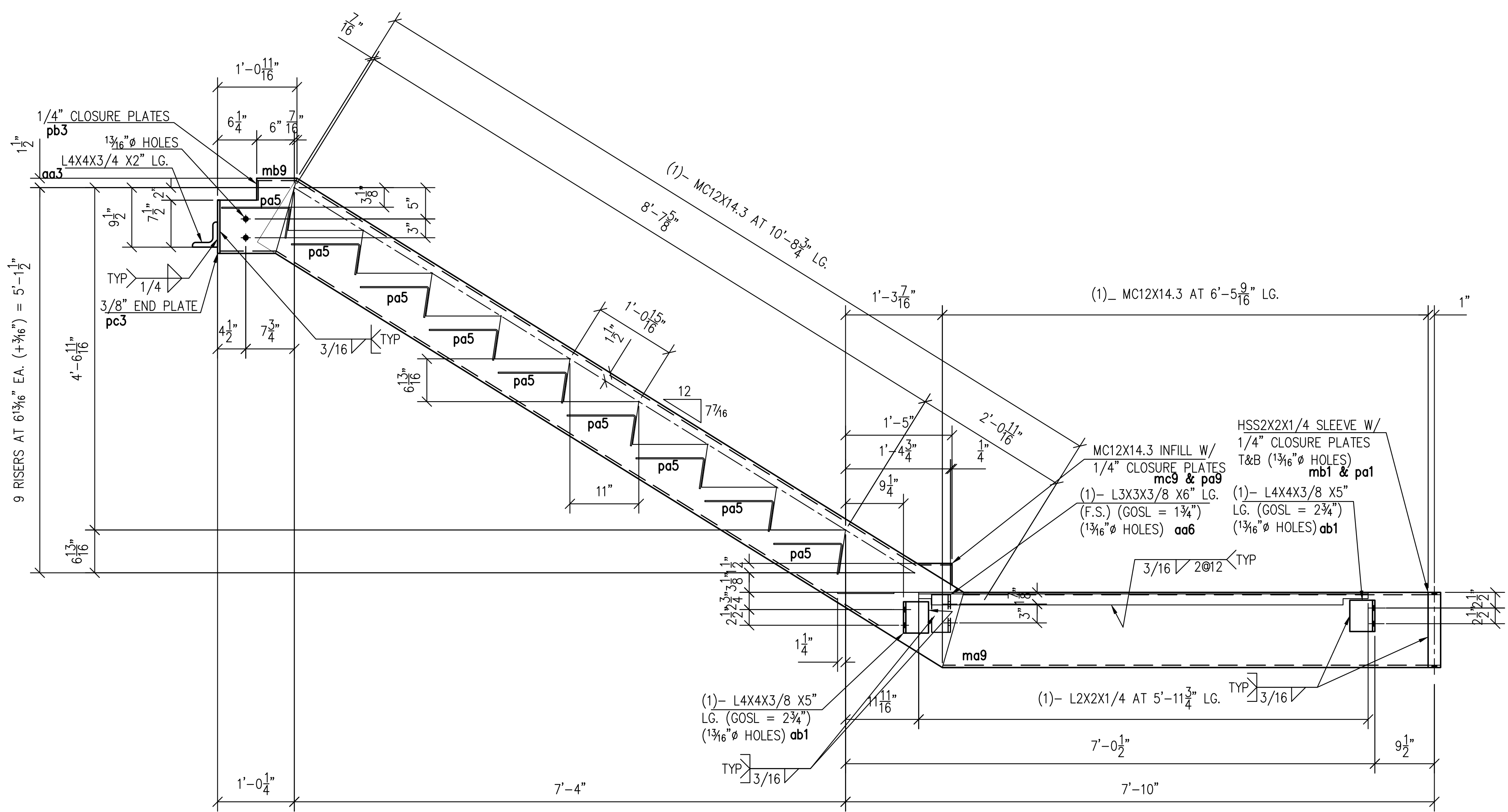
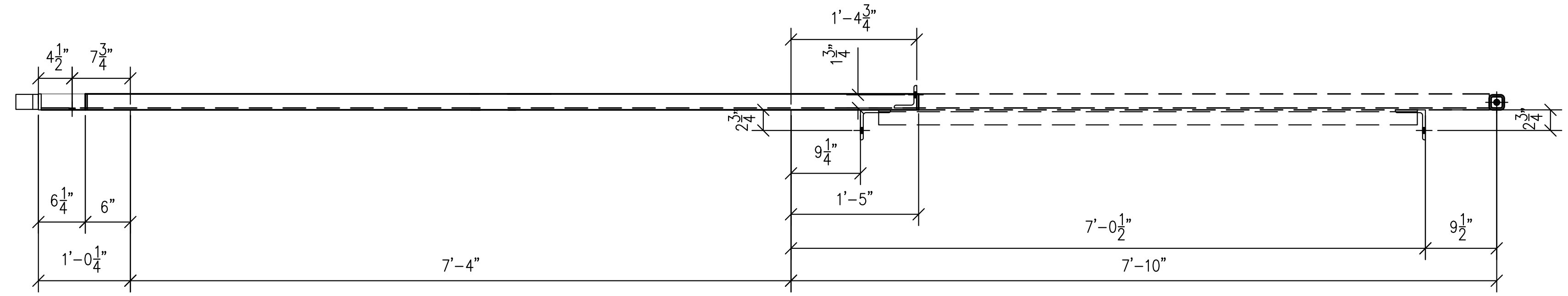
WELDS: E70XX U.O.N. HOLES: 1 3/16" Ø U.O.N.
 FINISH: ONE COAT SHOP PRIMER U.O.N.



FOR FAB. & ERECTION:
 9/6/2022

REFERENCE DESIGN DRAWINGS:
 A121, A362, A655, A656, S111

JOB NAME:	ITEM NUMBER: -
JOB NUMBER: -	DATE: 7/14/2022
JOB LOCATION: CAMBRIDGE, MA	DETAILER: TS
GENERAL CONTRACTOR:	ITEM DESCRIPTION: GARAGE STAIR G1
DRAWING NO.: G1H	



TYPICAL CARRIER DETAIL
SCALE 1 1/2"=1'-0"

G1JB1
LANDING G1-2A TO LEVEL G3
(1 REQ.)

BILL OF MATERIALS				
REQ.	PC. MARK	SHAPE	LENGTH	REMARKS
1	G1JB1	MC12X14.3	10' 8 3/4"	-
1	ma9	MC12X14.3	6' 5 9/16"	-
1	mb9	MC12X14.3	1' 0 1/16"	-
1	mc9	MC12X14.3	0' 5 9/16"	-
1	mb1	HSS2X2X1/4	0' 11 1/2"	-
2	ab1	L4X4X3/8	0' 5"	-
1	aa3	L4X4X3/4	0' 2"	-
1	aa6	L3X3X3/8	0' 6"	-
1	aa9	L2X2X1/4	5' 11 3/4"	-
2	pa1	R1/4X2	0' 2"	-
9	pa5	R 3/16 X2 BENT CARRIER	1' 4" ±	-
1	pa7	R 3/16 X2 CARRIER	0' 9"	-
1	pb3	R1/4X2 1/8	0' 3 1/2"	-
1	pc3	R 3/8 X2 1/8	0' 8 1/2"	-
1	pa9	R1/4X2 1/8	0' 3 7/16"	-

GENERAL NOTES:

- V.I.F. INDICATES DIMENSION TO BE VERIFIED IN FIELD
- F.V. INDICATES FIELD VERIFIED DIMENSION
- ALL CHANNELS, ANGLES, AND PLATES TO BE ASTM A36 U.O.N.
- ALL WIDE FLANGE SECTIONS TO BE ASTM A992 U.O.N.
- ALL HSS SECTIONS TO BE ASTM A500 GRADE B U.O.N.
- ALL PIPE TO BE ASTM A500 GRADE B U.O.N.
- ALL MECHANICAL TUBE TO BE ASTM A513 U.O.N.

REVISION	DESCRIPTION	DATE	BY
5	SHOP DRAWINGS FOR FAB. & ERECTION	9/6/2022	TS
4	SHOP DRAWINGS FOR FAB. & ERECTION	8/29/2022	TS
3	SHOP DRAWINGS FOR APPROVAL	8/17/2022	TS
2	SHOP DRAWINGS FOR APPROVAL	8/4/2022	TS
1	SHOP DRAWINGS FOR COORDINATION	8/1/2022	TS
0	SHOP DRAWINGS FOR APPROVAL	7/15/2022	TS

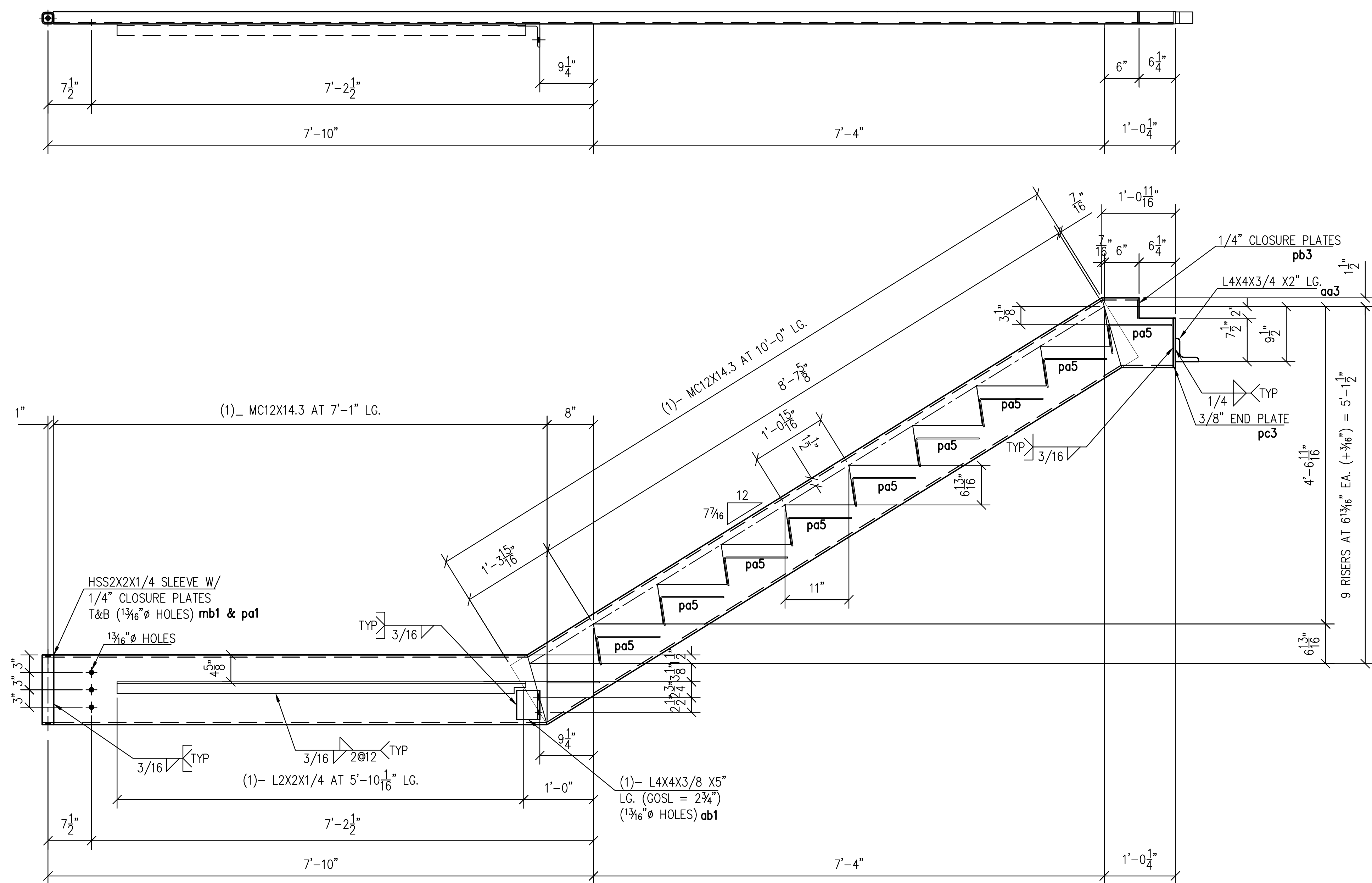
WELDS: E70XX U.O.N. HOLES: 1 3/16" Ø U.O.N.
FINISH: ONE COAT SHOP PRIMER U.O.N.



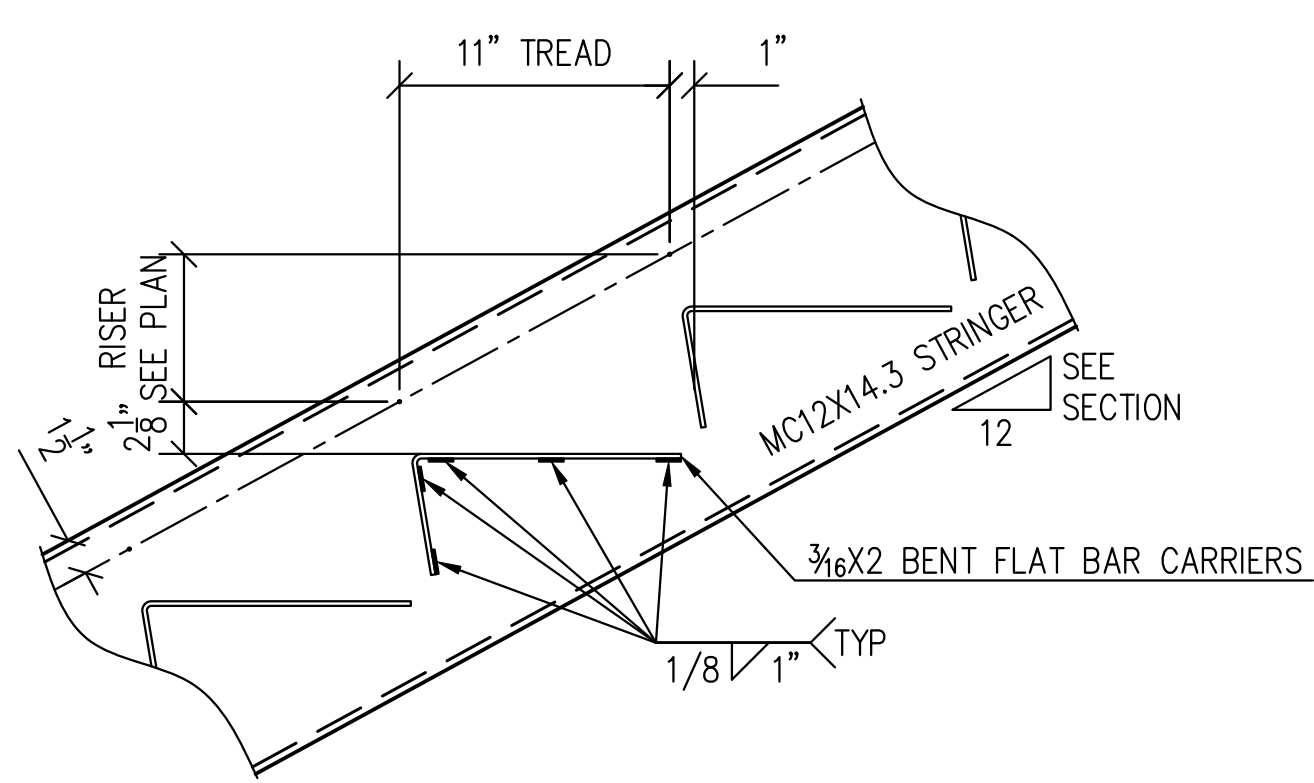
FOR FAB. & ERECTION:
9/6/2022

REFERENCE DESIGN DRAWINGS:
A121, A362, A655, A656, S111

JOB NAME:	ITEM NUMBER: -
JOB NUMBER: -	DATE: 7/14/2022
JOB LOCATION: CAMBRIDGE, MA	DETAILER: TS
GENERAL CONTRACTOR:	ITEM DESCRIPTION: GARAGE STAIR G1
DRAWING NO.: G1J	



G1KB1
 LANDING G1-2A TO LEVEL G3
 (1 REQ.)



TYPICAL CARRIER DETAIL
 SCALE 1 1/2"=1'-0"

BILL OF MATERIALS				
REQ.	PC. MARK	SHAPE	LENGTH	REMARKS
1	G1KB1	MC12X14.3	10' 0"	-
1	ma8	MC12X14.3	7' 1"	-
1	mb8	MC12X14.3	1' 0 1/16"	-
1	mb1	HSS2X2X1/4	0' 11 1/2"	-
1	ab1	L4X4X3/8	0' 5"	-
1	aa3	L4X4X3/4	0' 2"	-
1	aa10	L2X2X1/4	5' 10 1/16"	-
2	pa1	R1/4X2	0' 2"	-
9	pa5	R 3/16 X2 BENT CARRIER	1' 4" ±	-
1	pa7	R 3/16 X2 CARRIER	0' 9"	-
1	pb3	R1/4X2 1/8	0' 3 1/2"	-
1	pc3	R3/8X2 1/8	0' 8 1/2"	-

GENERAL NOTES:

- V.I.F. INDICATES DIMENSION TO BE VERIFIED IN FIELD
- F.V. INDICATES FIELD VERIFIED DIMENSION
- ALL CHANNELS, ANGLES, AND PLATES TO BE ASTM A36 U.O.N.
- ALL WIDE FLANGE SECTIONS TO BE ASTM A992 U.O.N.
- ALL HSS SECTIONS TO BE ASTM A500 GRADE B U.O.N.
- ALL PIPE TO BE ASTM A500 GRADE B U.O.N.
- ALL MECHANICAL TUBE TO BE ASTM A513 U.O.N.

REVISION	DESCRIPTION	DATE	BY
5	SHOP DRAWINGS FOR FAB. & ERECTION	9/6/2022	TS
4	SHOP DRAWINGS FOR FAB. & ERECTION	8/29/2022	TS
3	SHOP DRAWINGS FOR APPROVAL	8/17/2022	TS
2	SHOP DRAWINGS FOR APPROVAL	8/4/2022	TS
1	SHOP DRAWINGS FOR COORDINATION	8/1/2022	TS
0	SHOP DRAWINGS FOR APPROVAL	7/15/2022	TS

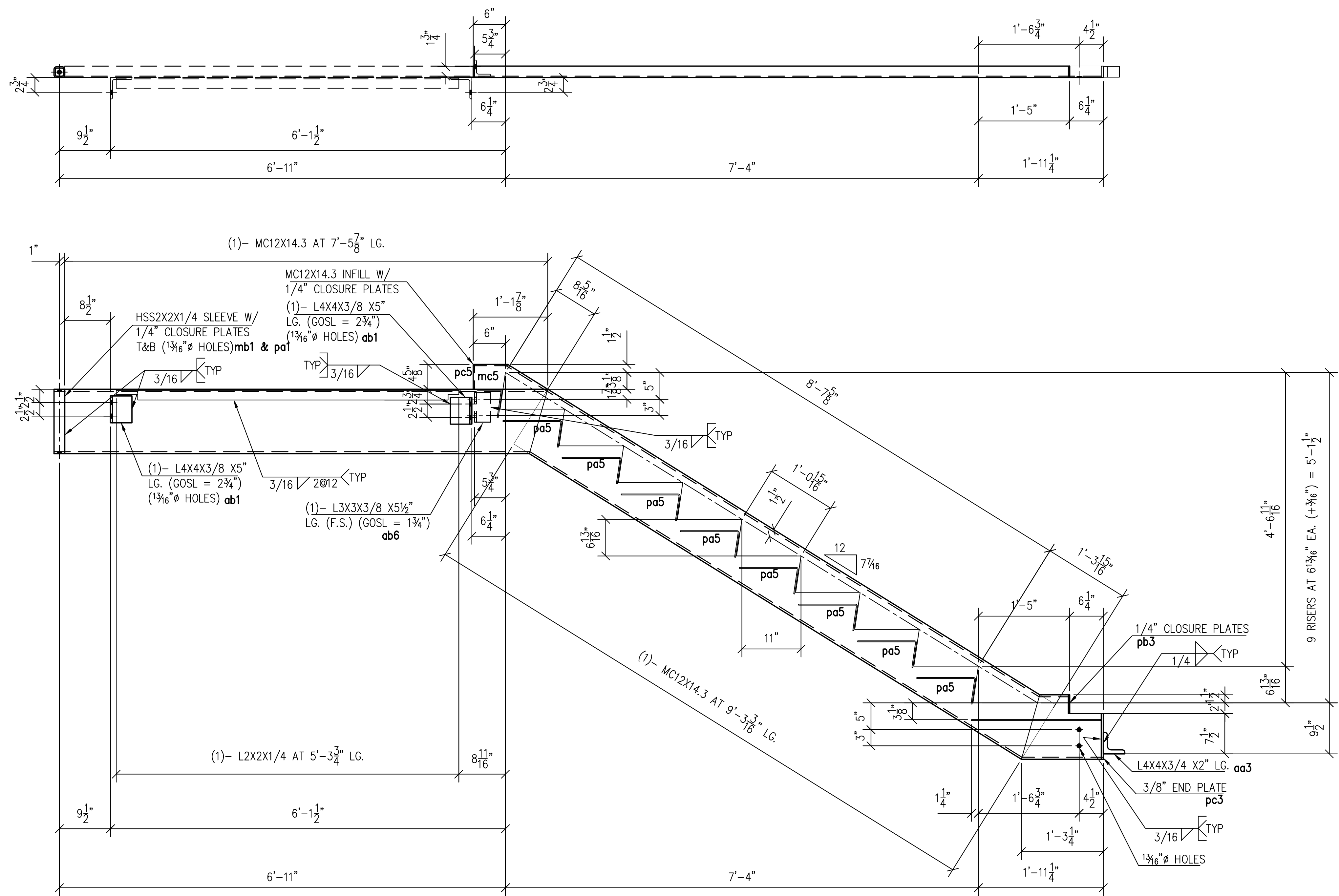
WELDS: E70XX U.O.N. HOLES: 1 3/16" U.O.N.
 FINISH: ONE COAT SHOP PRIMER U.O.N.



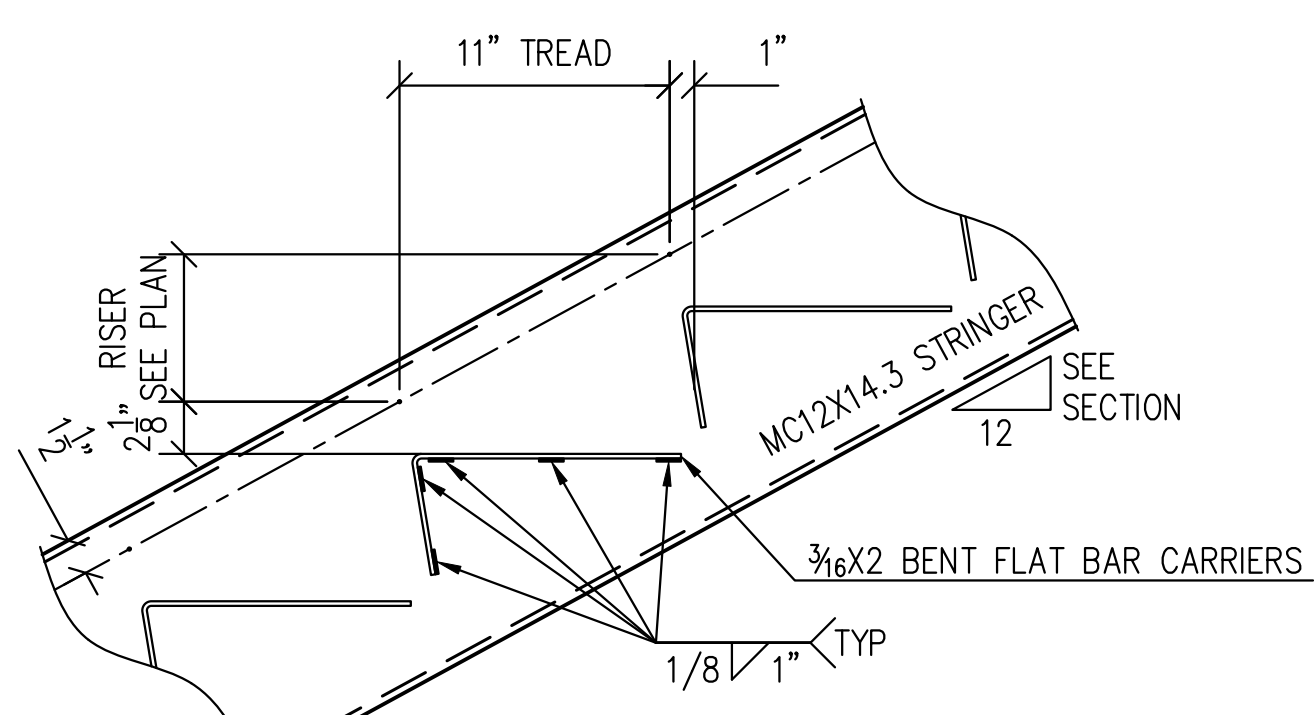
FOR FAB. & ERECTION:
 9/6/2022

REFERENCE DESIGN DRAWINGS:
 A121, A362, A655, A656, S111

JOB NAME:	ITEM NUMBER: -
JOB NUMBER: -	DATE: 7/14/2022
JOB LOCATION: CAMBRIDGE, MA	DETAILER: TS
GENERAL CONTRACTOR:	ITEM DESCRIPTION: GARAGE STAIR G1
DRAWING NO.: G1K	



G1LB1
LEVEL G3 TO LANDING G1-3A
(1 REQ.)



TYPICAL CARRIER DETAIL
SCALE 1 1/2"=1'-0"

BILL OF MATERIALS				
REQ.	PC. MARK	SHAPE	LENGTH	REMARKS
1	G1LB1	MC12X14.3	9' 3 3/8"	-
1	ma5	MC12X14.3	1' 3 1/4"	-
1	mb5	MC12X14.3	7' 5 3/8"	-
1	mc5	MC12X14.3	1' 2 1/4"	-
1	mb1	HSS2X2X1/4	0' 11 1/2"	-
2	ab1	L4X4X3/8	0' 5"	-
1	aa3	L4X4X3/4	0' 2"	-
1	aa5	L2X2X1/4	5' 3 3/4"	-
1	ab5	L3X3X1/4	0' 5 1/2"	-
2	pa1	R1/4X2	0' 2"	-
8	pa5	R3/16X2 BENT CARRIER	1' 4"±	-
1	pb5	R3/16X2 CARRIER	2' 0"	-
1	pa11	R3/16X2 BENT CARRIER	0' 11"±	-
1	pb3	R1/4X2 1/8	0' 3 1/2"	-
1	pc3	R3/8X2 1/8	0' 8 1/2"	-
1	pc5	R1/4X2 1/8	0' 4 3/8"	-

GENERAL NOTES:

- V.I.F. INDICATES DIMENSION TO BE VERIFIED IN FIELD
- F.V. INDICATES FIELD VERIFIED DIMENSION
- ALL CHANNELS, ANGLES, AND PLATES TO BE ASTM A36 U.O.N.
- ALL WIDE FLANGE SECTIONS TO BE ASTM A992 U.O.N.
- ALL HSS SECTIONS TO BE ASTM A500 GRADE B U.O.N.
- ALL PIPE TO BE ASTM A500 GRADE B U.O.N.
- ALL MECHANICAL TUBE TO BE ASTM A513 U.O.N.

REVISION	DESCRIPTION	DATE	BY
5	SHOP DRAWINGS FOR FAB. & ERECTION	9/6/2022	TS
4	SHOP DRAWINGS FOR FAB. & ERECTION	8/29/2022	TS
3	SHOP DRAWINGS FOR APPROVAL	8/17/2022	TS
2	SHOP DRAWINGS FOR APPROVAL	8/4/2022	TS
1	SHOP DRAWINGS FOR COORDINATION	8/1/2022	TS
0	SHOP DRAWINGS FOR APPROVAL	7/15/2022	TS

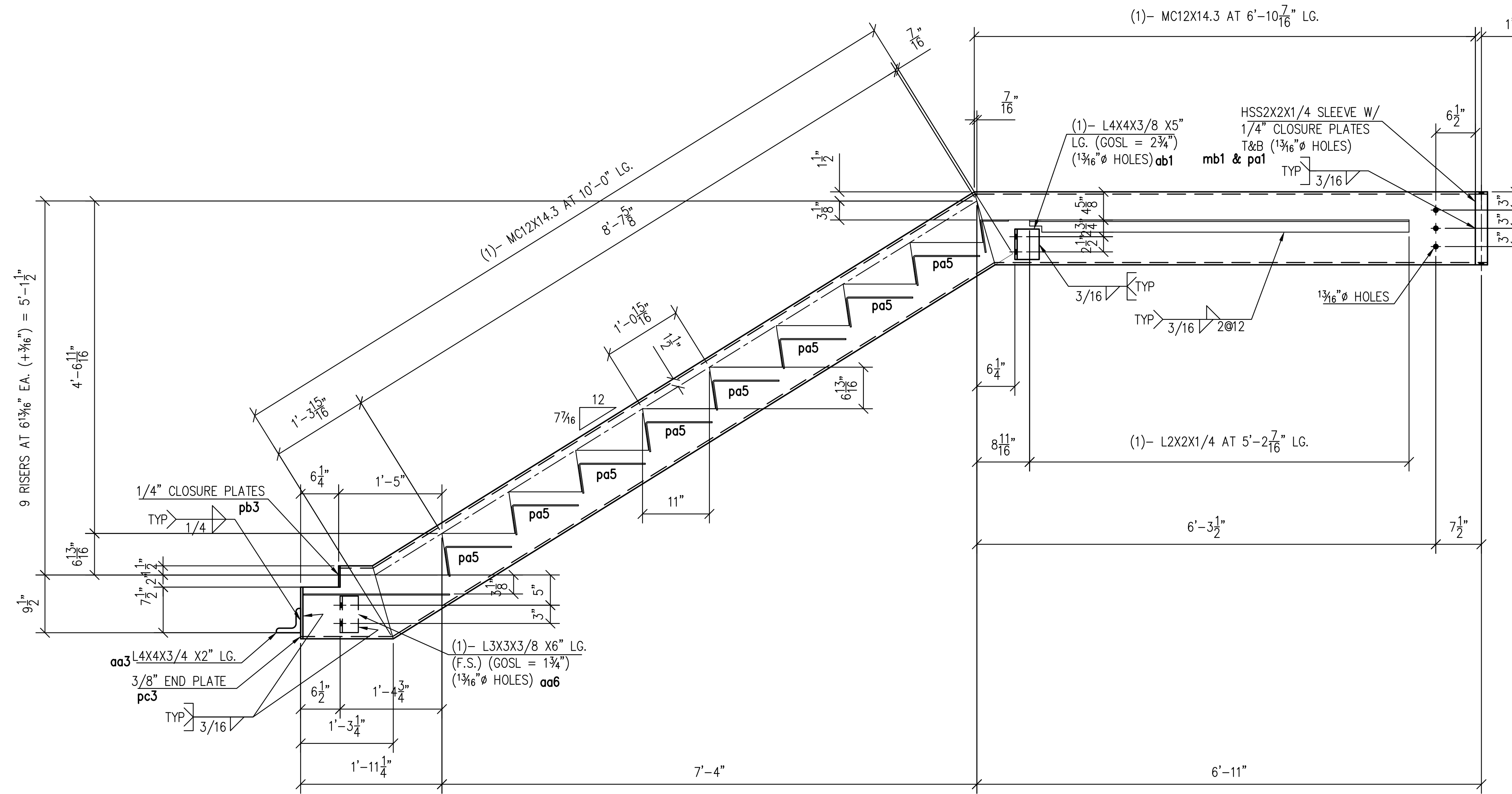
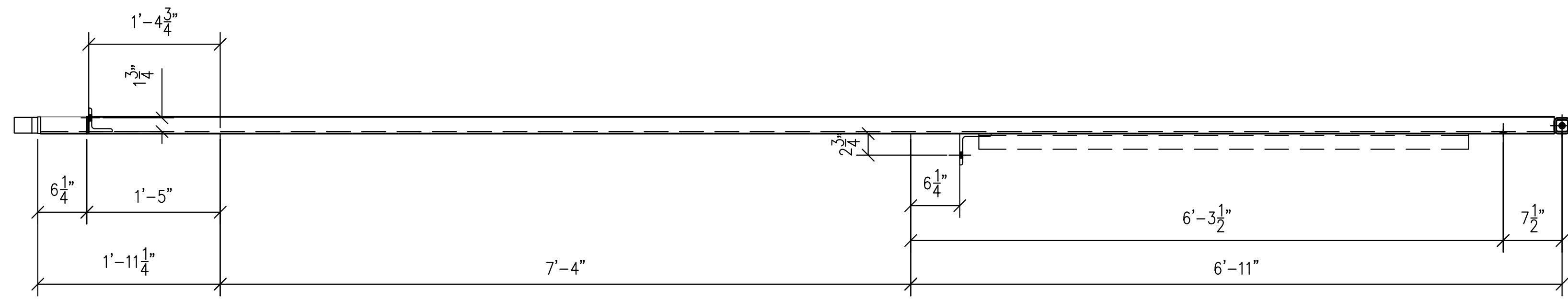
WELDS: E70XX U.O.N. HOLES: 1/16"± U.O.N.
FINISH: ONE COAT SHOP PRIMER U.O.N.



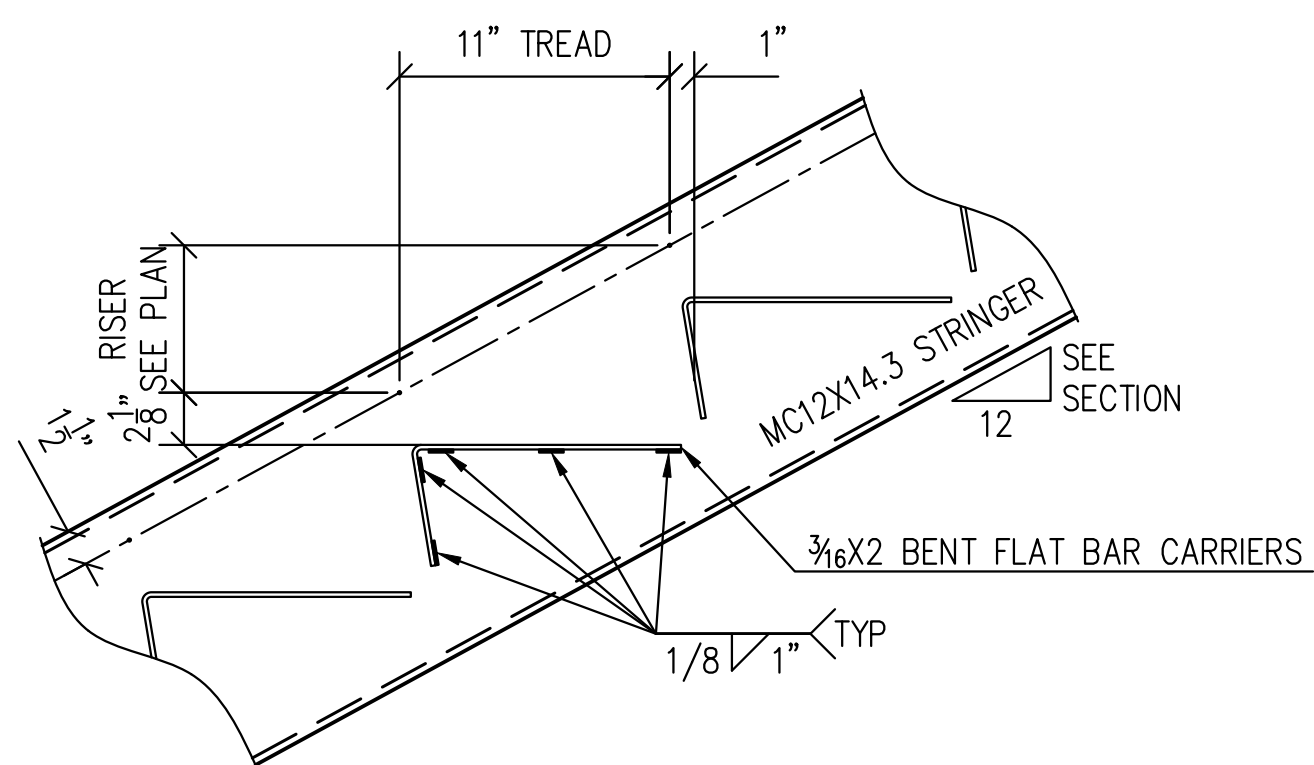
FOR FAB. & ERECTION:
9/6/2022

REFERENCE DESIGN DRAWINGS:
A121, A362, A655, A656, S111

JOB NAME:	ITEM NUMBER: -
JOB NUMBER: -	DATE: 7/14/2022
JOB LOCATION: CAMBRIDGE, MA	DETAILER: TS
GENERAL CONTRACTOR:	ITEM DESCRIPTION: GARAGE STAIR G1
DRAWING NO.: G1L	



G1MB1
LEVEL G3 TO LANDING G1-3A
(1 REQ.)



TYPICAL CARRIER DETAIL
SCALE 1 1/2"=1'-0"

BILL OF MATERIALS				
REQ.	PC. MARK	SHAPE	LENGTH	REMARKS
1	G1MB1	MC12X14.3	10' 0"	-
1	ma6	MC12X14.3	1' 3 1/4"	-
1	mb6	MC12X14.3	6' 10 7/16"	-
1	mb1	HSS2X2X1/4	0' 11 1/2"	-
1	ab1	L4X4X3/8	0' 5"	-
1	aa3	L4X4X3/4	0' 2"	-
1	aa6	L3X3X3/8	0' 6"	-
1	ab6	L2X2X1/4	5' 2 7/16"	-
2	pa1	Ø1/4X2	0' 2"	-
8	pa5	Ø 3/16 X2 BENT CARRIER	1' 4"±	-
1	pb5	Ø 3/16 X2 CARRIER	2' 0"	-
1	pa6	Ø 3/16 X2 BENT CARRIER	0' 10"±	-
1	pb3	Ø1/4X2 1/8	0' 3 1/2"	-
1	pc3	Ø3/8X2 1/8	0' 8 1/2"	-

GENERAL NOTES:

- V.I.F. INDICATES DIMENSION TO BE VERIFIED IN FIELD
- F.V. INDICATES FIELD VERIFIED DIMENSION
- ALL CHANNELS, ANGLES, AND PLATES TO BE ASTM A36 U.O.N.
- ALL WIDE FLANGE SECTIONS TO BE ASTM A992 U.O.N.
- ALL HSS SECTIONS TO BE ASTM A500 GRADE B U.O.N.
- ALL PIPE TO BE ASTM A500 GRADE B U.O.N.
- ALL MECHANICAL TUBE TO BE ASTM A513 U.O.N.

REVISION	DESCRIPTION	DATE	BY
5	SHOP DRAWINGS FOR FAB. & ERECTION	9/6/2022	TS
4	SHOP DRAWINGS FOR FAB. & ERECTION	8/29/2022	TS
3	SHOP DRAWINGS FOR APPROVAL	8/17/2022	TS
2	SHOP DRAWINGS FOR APPROVAL	8/4/2022	TS
1	SHOP DRAWINGS FOR COORDINATION	8/1/2022	TS
0	SHOP DRAWINGS FOR APPROVAL	7/15/2022	TS

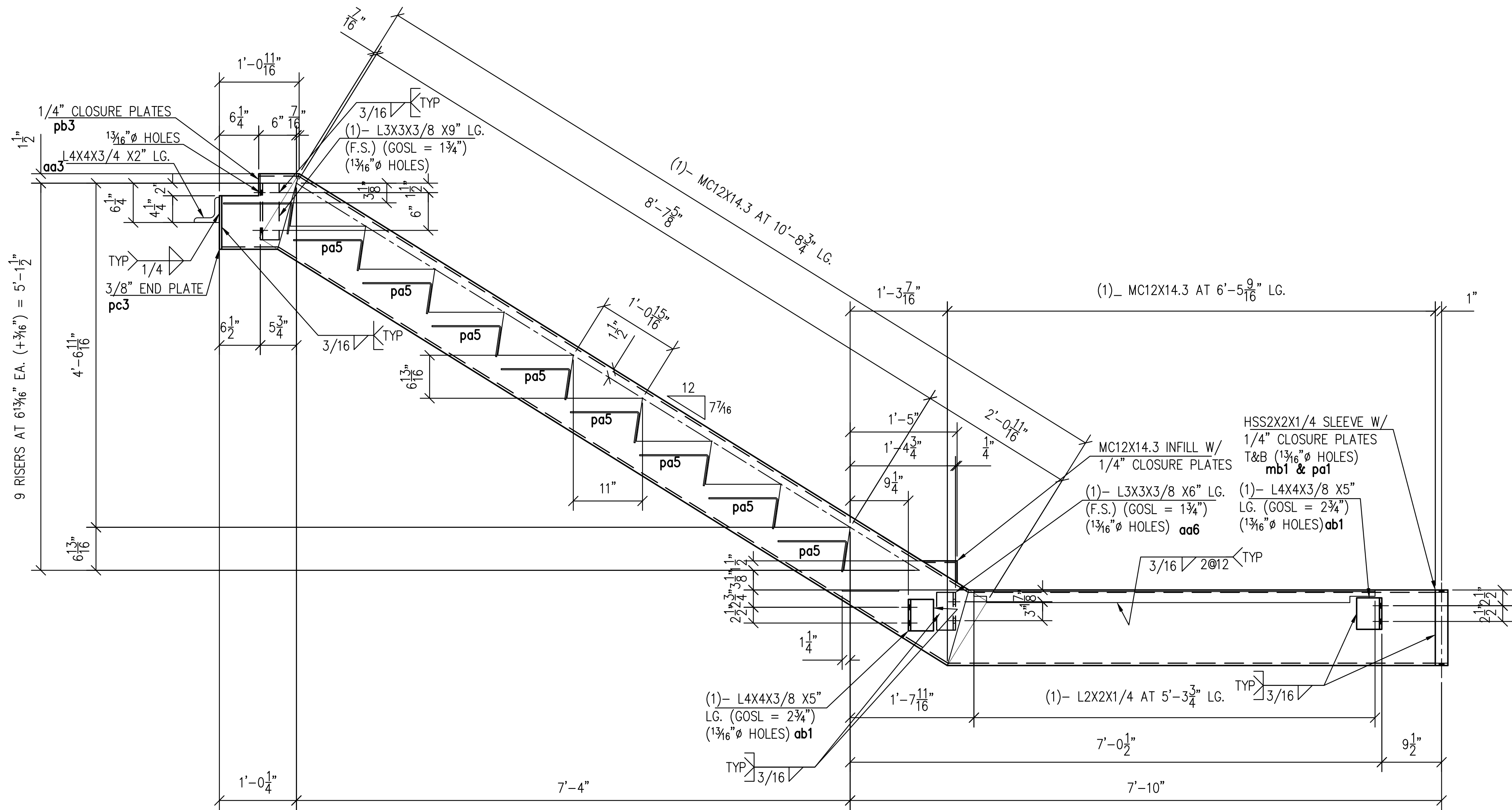
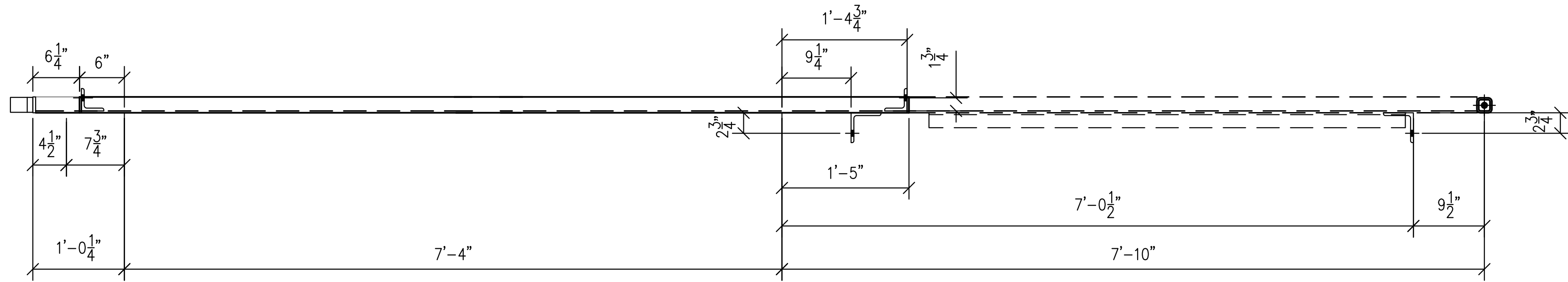
WELDS: E70XX U.O.N. HOLES: 1 3/16" Ø U.O.N.
FINISH: ONE COAT SHOP PRIMER U.O.N.



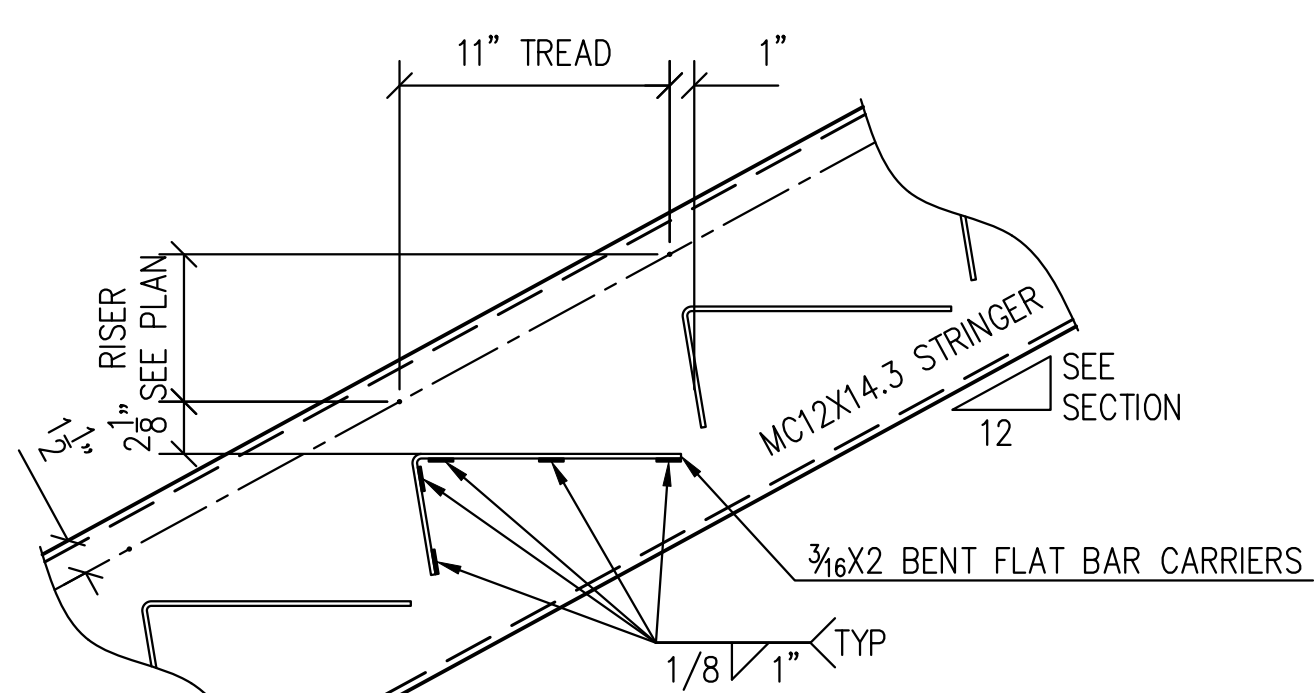
FOR FAB. & ERECTION:
9/6/2022

REFERENCE DESIGN DRAWINGS:
A121, A362, A655, A656, S111

JOB NAME:	ITEM NUMBER: -
JOB NUMBER: -	DATE: 7/14/2022
JOB LOCATION: CAMBRIDGE, MA	DETAILER: TS
GENERAL CONTRACTOR:	ITEM DESCRIPTION: GARAGE STAIR G1
DRAWING NO.: G1M	



G1NB1
LANDING G1-4A TO LEVEL G5
(1 REQ.)



TYPICAL CARRIER DETAIL
SCALE 1 1/2"=1'-0"

BILL OF MATERIALS				
REQ.	PC. MARK	SHAPE	LENGTH	REMARKS
1	G1NB1	MC12X14.3	10' 8 3/4"	-
1	ma7	MC12X14.3	6' 5 9/16"	-
1	mb7	MC12X14.3	1' 0 1/16"	-
1	mb1	HSS2X2X1/4	0' 11 1/2"	-
2	ab1	L4X4X3/8	0' 5"	-
1	aa3	L4X4X3/4	0' 2"	-
1	aa6	L3X3X3/8	0' 6"	-
1	aa13	L3X3X3/8	0' 9"	-
1	aa7	L2X2X1/4	5' 3 3/4"	-
2	pa1	R1/4X2	0' 2"	-
9	pa5	R3/16X2 BENT CARRIER	1' 4"±	-
1	pa7	R3/16X2 CARRIER	0' 9"	-
1	pb3	R1/4X2 1/8	0' 3 1/2"	-
1	pc3	R3/8X2 1/8	0' 8 1/2"	-

GENERAL NOTES:

- V.I.F. INDICATES DIMENSION TO BE VERIFIED IN FIELD
- F.V. INDICATES FIELD VERIFIED DIMENSION
- ALL CHANNELS, ANGLES, AND PLATES TO BE ASTM A36 U.O.N.
- ALL WIDE FLANGE SECTIONS TO BE ASTM A992 U.O.N.
- ALL HSS SECTIONS TO BE ASTM A500 GRADE B U.O.N.
- ALL PIPE TO BE ASTM A500 GRADE B U.O.N.
- ALL MECHANICAL TUBE TO BE ASTM A513 U.O.N.

REVISION	DESCRIPTION	DATE	BY
5	SHOP DRAWINGS FOR FAB. & ERECTION	9/6/2022	TS
4	SHOP DRAWINGS FOR FAB. & ERECTION	8/29/2022	TS
3	SHOP DRAWINGS FOR APPROVAL	8/17/2022	TS
2	SHOP DRAWINGS FOR APPROVAL	8/4/2022	TS
1	SHOP DRAWINGS FOR COORDINATION	8/1/2022	TS
0	SHOP DRAWINGS FOR APPROVAL	7/15/2022	TS

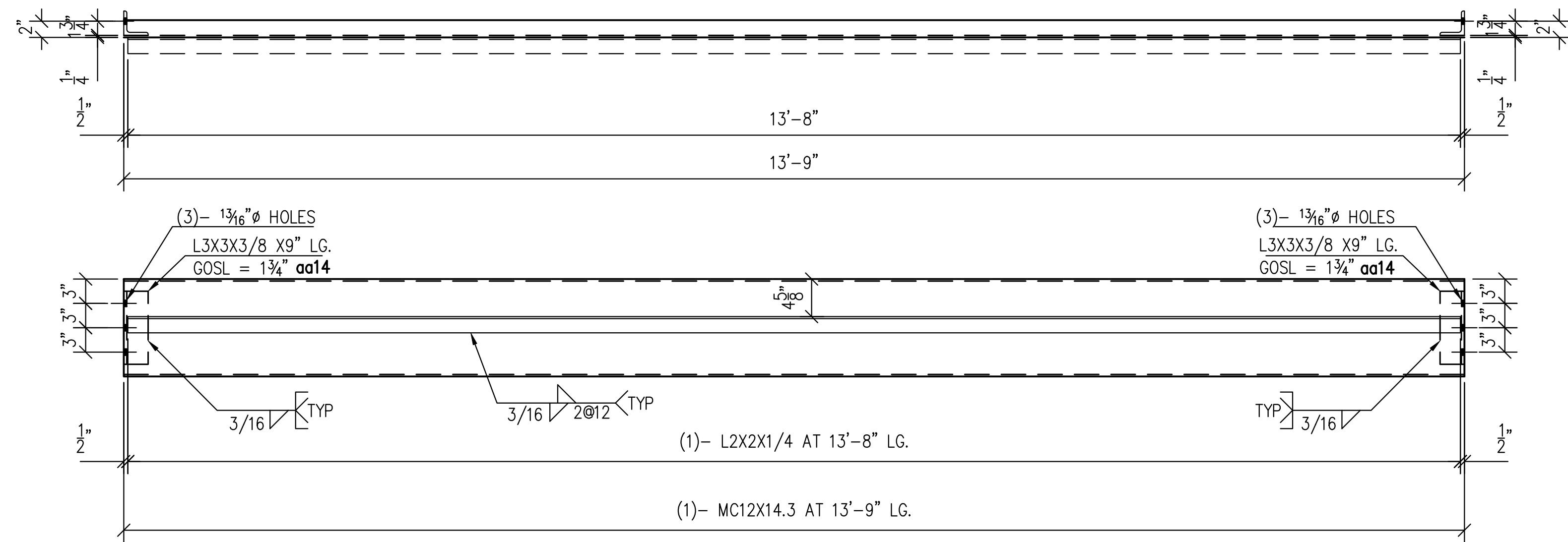
WELDS: E70XX U.O.N. HOLES: 1 3/16" Ø U.O.N.
FINISH: ONE COAT SHOP PRIMER U.O.N.



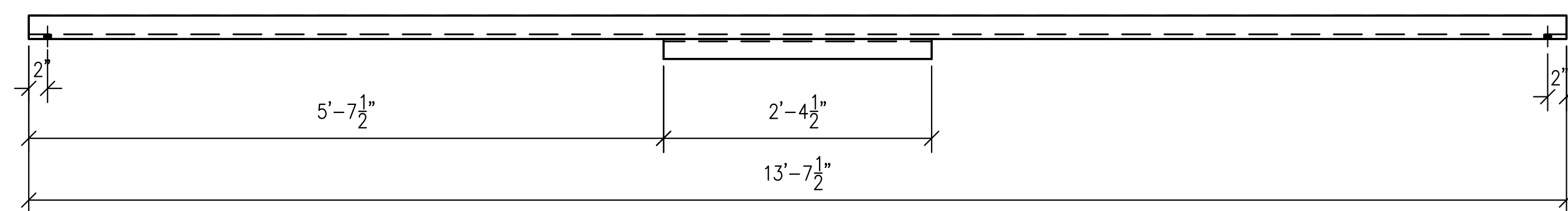
FOR FAB. & ERECTION:
9/6/2022

REFERENCE DESIGN DRAWINGS:
A121, A362, A655, A656, S111

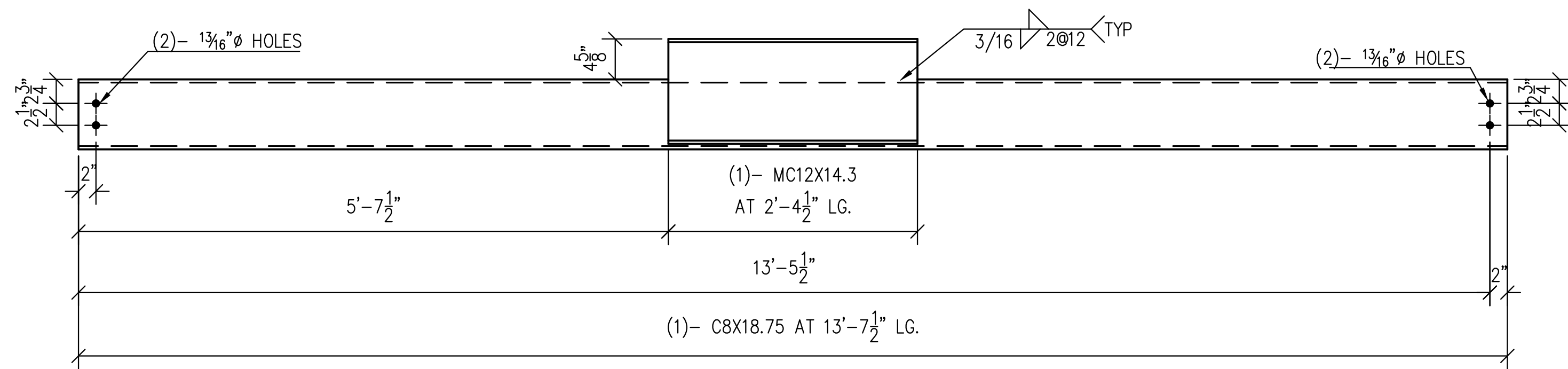
JOB NAME:	ITEM NUMBER: -
JOB NUMBER: -	DATE: 7/14/2022
JOB LOCATION: CAMBRIDGE, MA	DETAILER: TS
GENERAL CONTRACTOR:	ITEM DESCRIPTION: GARAGE STAIR G1
DRAWING NO.: G1N	



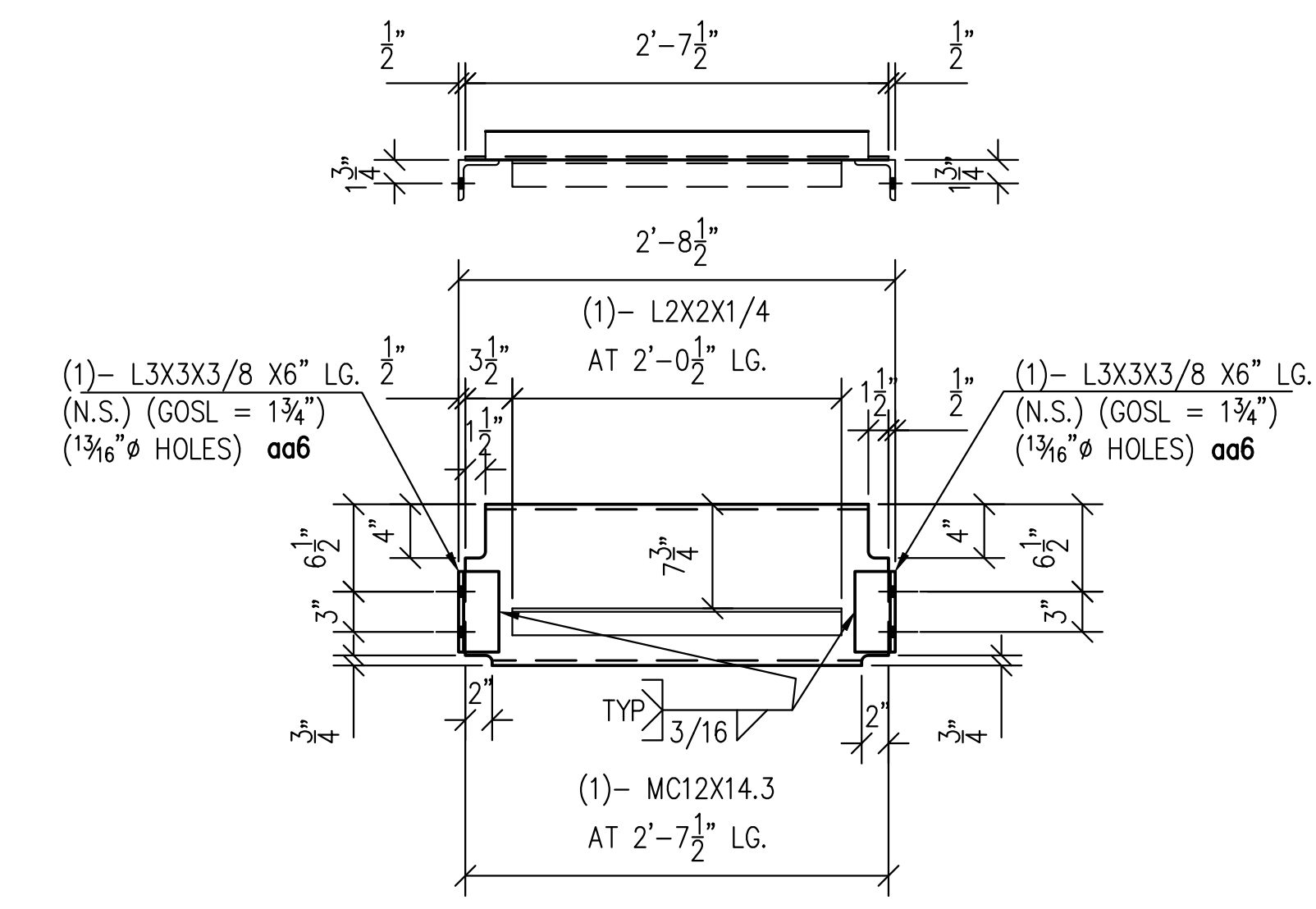
G1PB1
LANDING G1-0A
(1 REQ.)



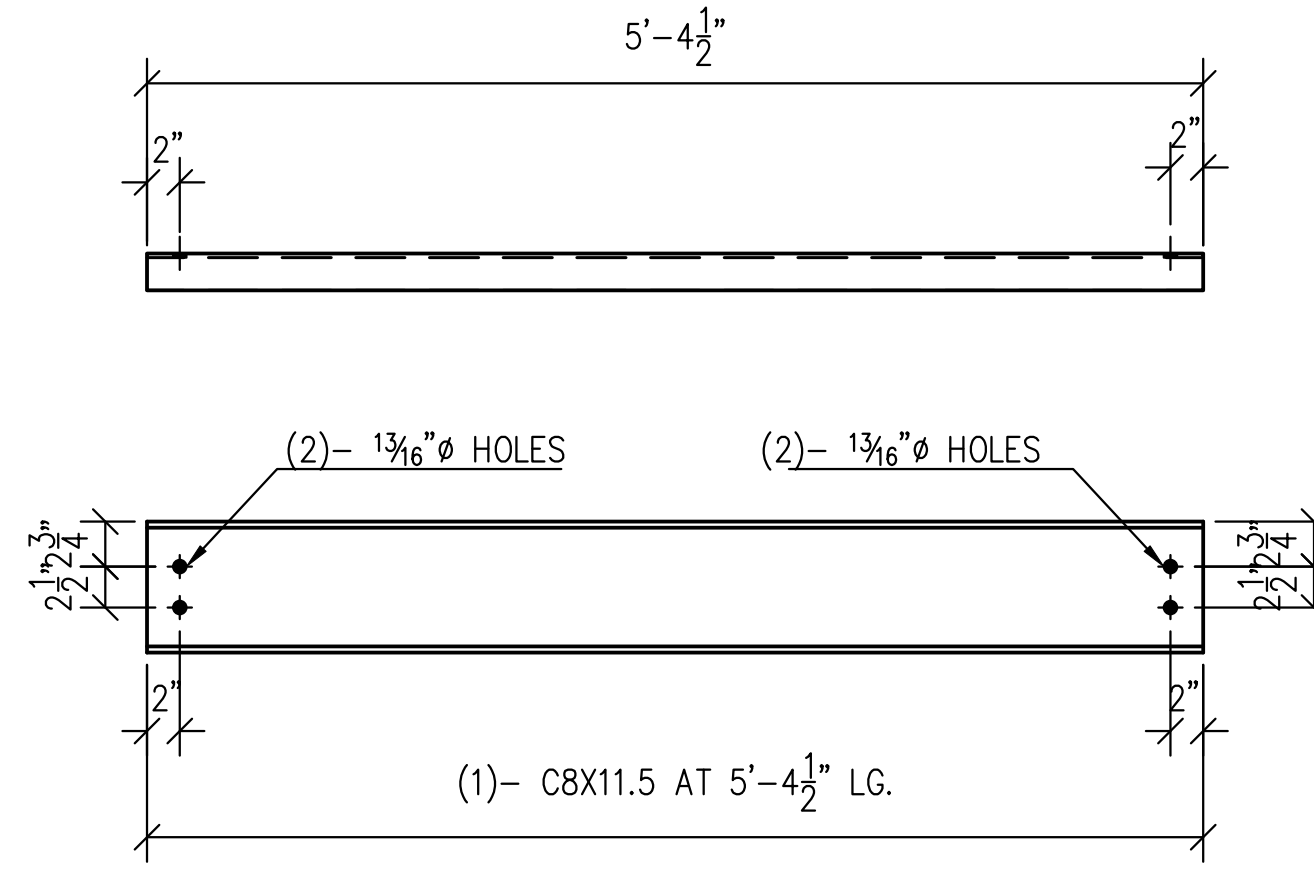
G1PB2
LANDING G1-0A
(1 REQ.)



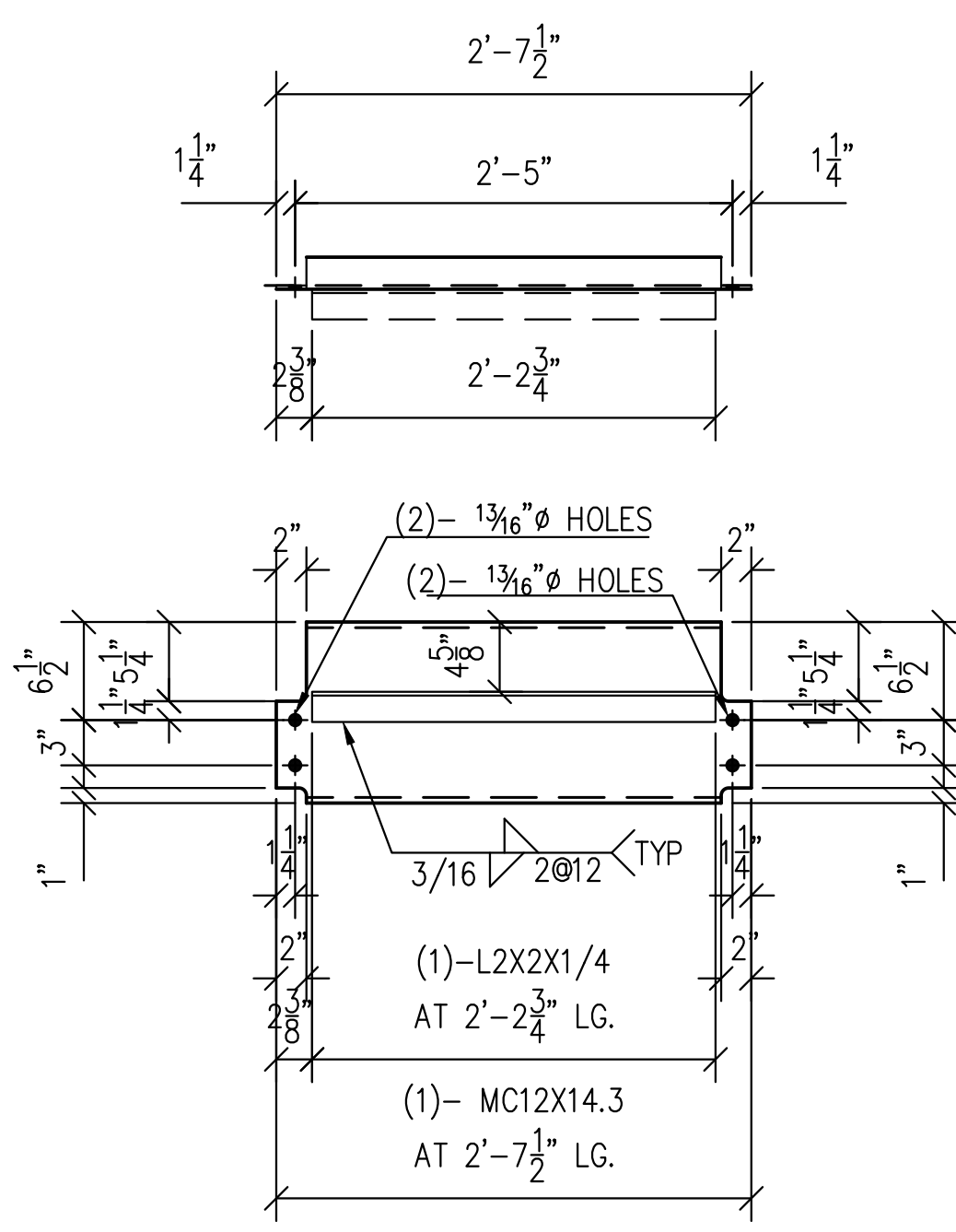
G1PB6
LEVEL G1, LEVEL G2, LEVEL G4
(3 REQ.)



G1PB7
LEVEL G3
(1 REQ.)



G1PB4
LANDING G1-1A, G1-2A, G1-3A, G1-4A
(8 REQ.)



G1PB5
LANDING G1-1A, G1-2A, G1-3A, G1-4A
(4 REQ.)

BILL OF MATERIALS				
REQ.	PC. MARK	SHAPE	LENGTH	REMARKS
1	G1PB1	MC12X14.3	13' 9"	-
2	aa14	L3X3X3/8	0' 9"	-
1	ab14	L2X2X1/4	13' 8"	-
1	G1PB2	C8X18.75	13' 7 1/2"	-
1	md14	MC12X14.3	2' 4 1/2"	-
8	G1PB4	C8X11.5	5' 4 1/2"	-
4	G1PB5	MC12X14.3	2' 7 1/2"	-
4	ac14	L2X2X1/4	2' 2 3/4"	-
3	G1PB6	MC12X14.3	2' 7 1/2"	-
3	ad14	L2X2X1/4	2' 0 1/2"	-
6	aa6	L3X3X3/8	0' 6"	-
1	G1PB6	MC12X14.3	2' 7 1/2"	-
1	pa14	R1/4X2	2' 0 1/2"	-
2	aa6	L3X3X3/8	0' 6"	-

GENERAL NOTES:

- V.I.F. INDICATES DIMENSION TO BE VERIFIED IN FIELD
- F.V. INDICATES FIELD VERIFIED DIMENSION
- ALL CHANNELS, ANGLES, AND PLATES TO BE ASTM A36 U.O.N.
- ALL WIDE FLANGE SECTIONS TO BE ASTM A992 U.O.N.
- ALL HSS SECTIONS TO BE ASTM A500 GRADE B U.O.N.
- ALL PIPE TO BE ASTM A500 GRADE B U.O.N.
- ALL MECHANICAL TUBE TO BE ASTM A513 U.O.N.

REVISION	DESCRIPTION	DATE	BY
5	SHOP DRAWINGS FOR FAB. & ERECTION	9/6/2022	TS
4	SHOP DRAWINGS FOR FAB. & ERECTION	8/29/2022	TS
3	SHOP DRAWINGS FOR APPROVAL	8/17/2022	TS
2	SHOP DRAWINGS FOR APPROVAL	8/4/2022	TS
1	SHOP DRAWINGS FOR COORDINATION	8/1/2022	TS
0	SHOP DRAWINGS FOR APPROVAL	7/15/2022	TS

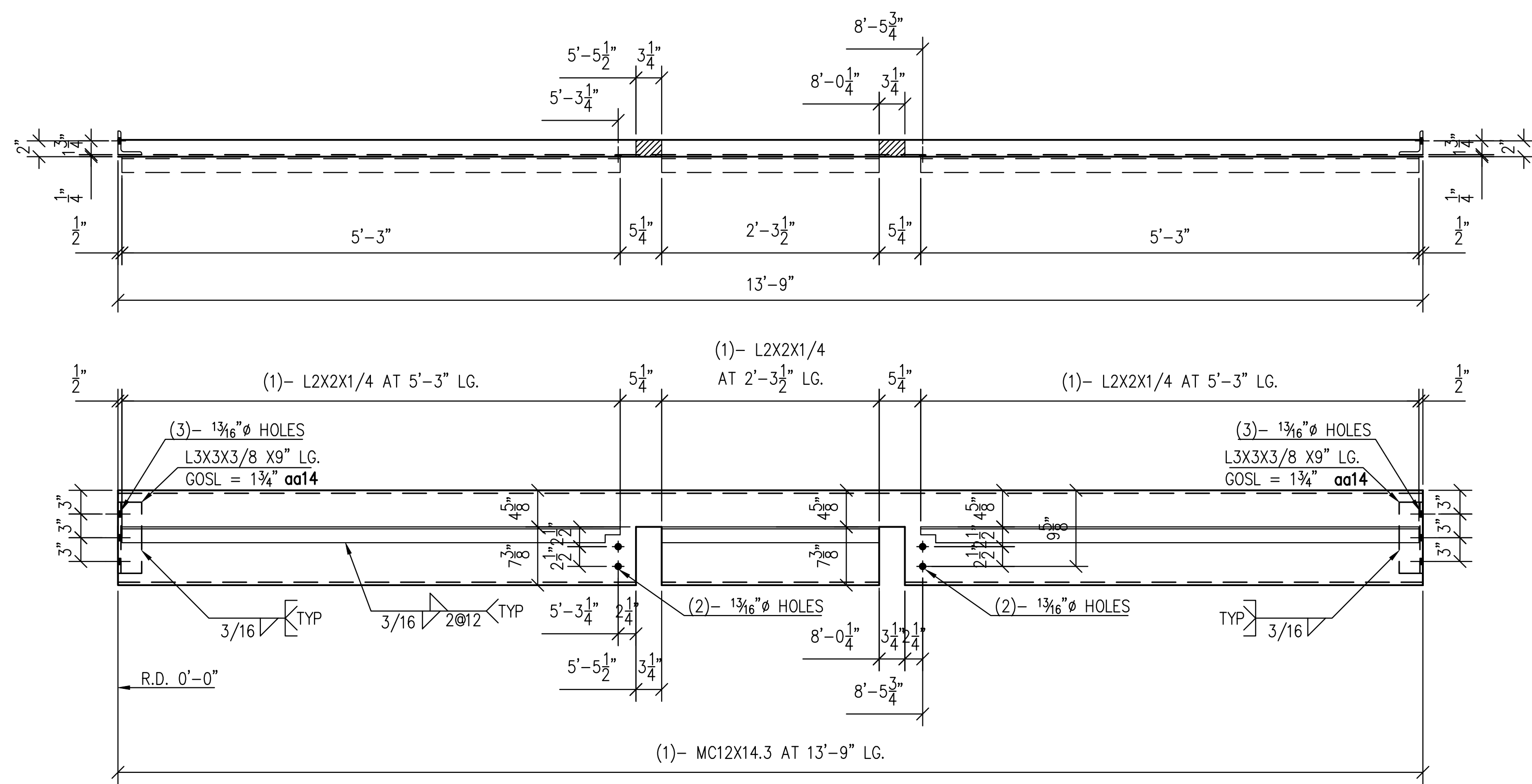
WELDS: E70XX U.O.N. HOLES: 1 3/16" Ø U.O.N.
FINISH: ONE COAT SHOP PRIMER U.O.N.



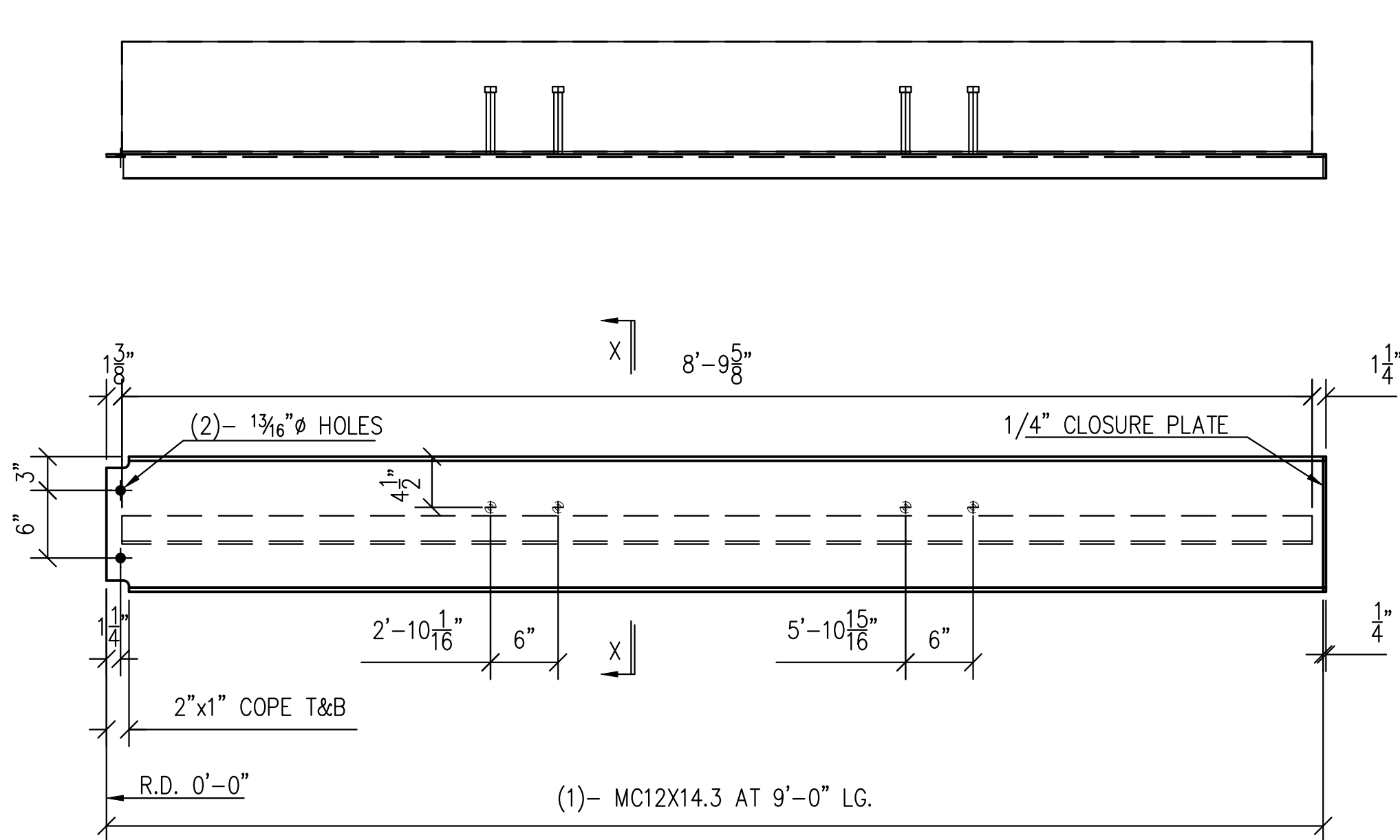
FOR FAB. & ERECTION:
9/6/2022

REFERENCE DESIGN DRAWINGS:
A121, A362, A655, A656, S111

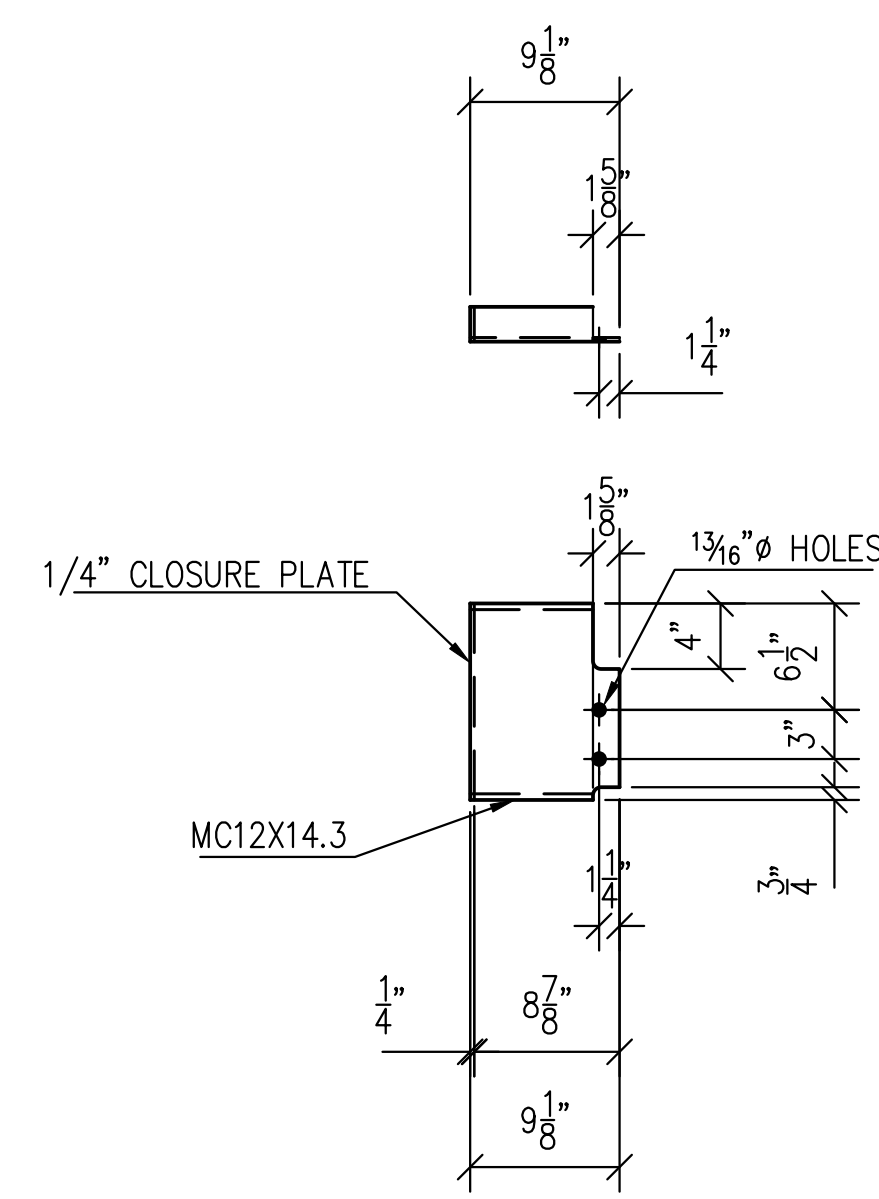
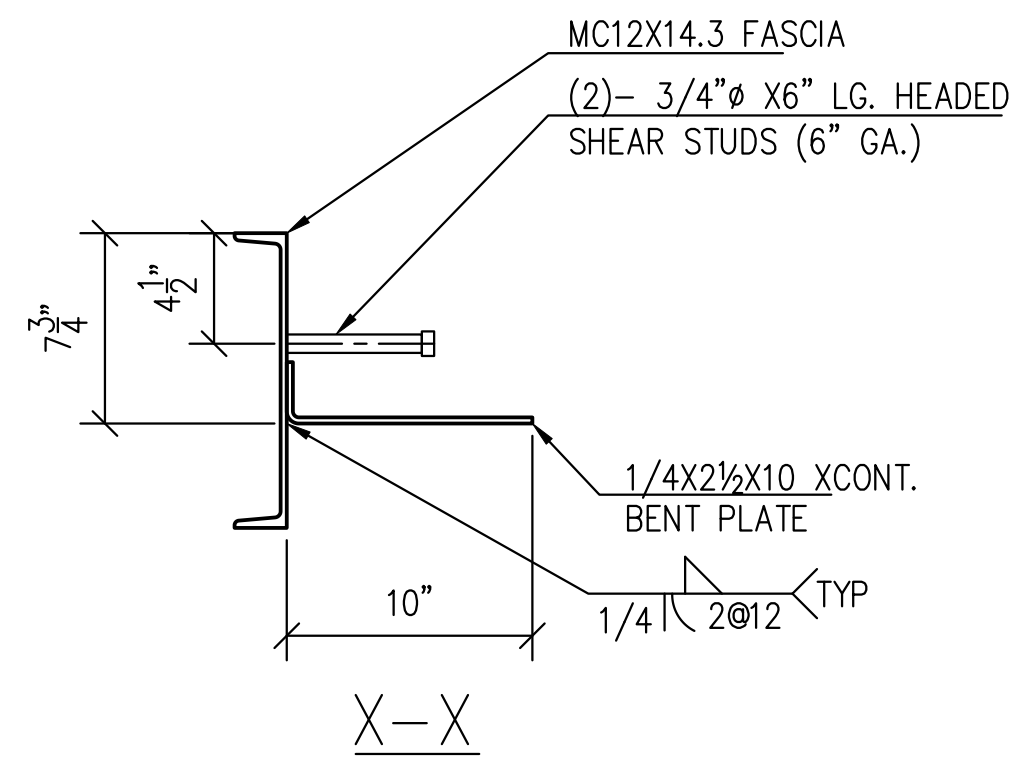
JOB NAME:	ITEM NUMBER: -
JOB NUMBER: -	DATE: 7/14/2022
JOB LOCATION: CAMBRIDGE, MA	DETAILER: TS
GENERAL CONTRACTOR:	DRAWING NO.: G1P
ITEM DESCRIPTION: GARAGE STAIR G1	



G1QB1
LANDING G1-1A, G1-2A, G1-3A, G1-4A
(4 REQ.)



G1QB2
LEVEL G5
(1 REQ.)



G1QB3
LEVEL G1, G2, G3, & G4
(4 REQ.)

BILL OF MATERIALS				
REQ.	PC. MARK	SHAPE	LENGTH	REMARKS
4	G1QB1	MC12X14.3	13' 9"	-
4	aa15	L2X2X1/4	5' 3"	-
4	ab15	L2X2X1/4	2' 3 1/2"	-
4	ac15	L2X2X1/4	5' 3"	-
8	aa14	L3X3X3/8	0' 9"	-
1	G1QB2	MC12X14.3	9' 0"	-
1	ma15	1/4X2 1/2X10 BENT PLATE	8' 9 5/8"	-
1	pa15	1/4X2 1/2	1' 0"	-
4	STUDS	3/4"Ø HEADED STUDS	0' 6"	-
4	G1QB3	MC12X14.3	0' 8 7/8"	-
4	pa15	1/4X2 1/2	1' 0"	-

GENERAL NOTES:

- V.I.F. INDICATES DIMENSION TO BE VERIFIED IN FIELD
- F.V. INDICATES FIELD VERIFIED DIMENSION
- ALL CHANNELS, ANGLES, AND PLATES TO BE ASTM A36 U.O.N.
- ALL WIDE FLANGE SECTIONS TO BE ASTM A992 U.O.N.
- ALL HSS SECTIONS TO BE ASTM A500 GRADE B U.O.N.
- ALL PIPE TO BE ASTM A500 GRADE B U.O.N.
- ALL MECHANICAL TUBE TO BE ASTM A513 U.O.N.

REVISION	DESCRIPTION	DATE	BY
5	SHOP DRAWINGS FOR FAB. & ERECTION	9/6/2022	TS
4	SHOP DRAWINGS FOR FAB. & ERECTION	8/29/2022	TS
3	SHOP DRAWINGS FOR APPROVAL	8/17/2022	TS
2	SHOP DRAWINGS FOR APPROVAL	8/4/2022	TS
1	SHOP DRAWINGS FOR COORDINATION	8/1/2022	TS
0	SHOP DRAWINGS FOR APPROVAL	7/15/2022	TS

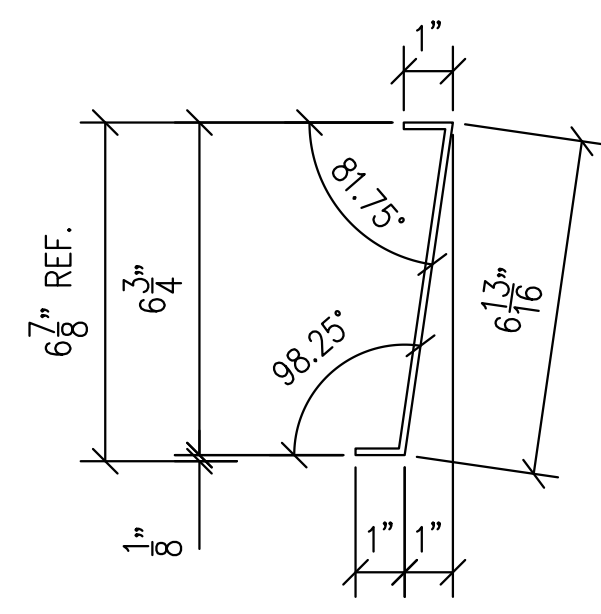
WELDS: E70XX U.O.N. HOLES: 1 3/16"Ø U.O.N.
FINISH: ONE COAT SHOP PRIMER U.O.N.



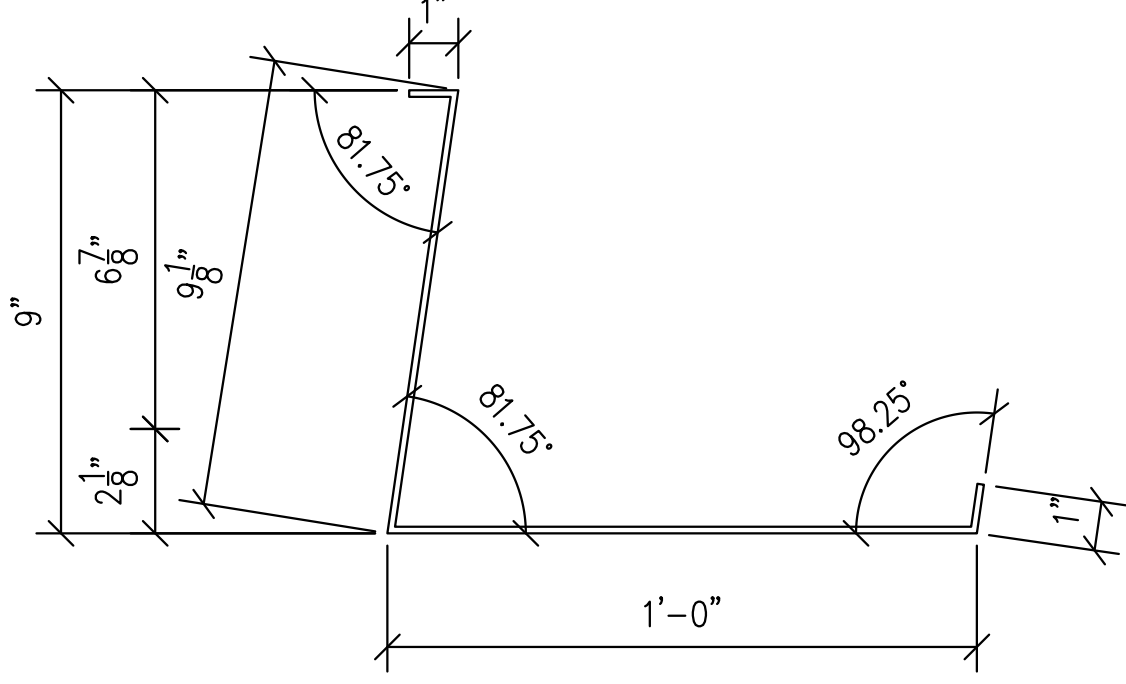
FOR FAB. & ERECTION:
9/6/2022

REFERENCE DESIGN DRAWINGS:
A121, A362, A655, A656, S111

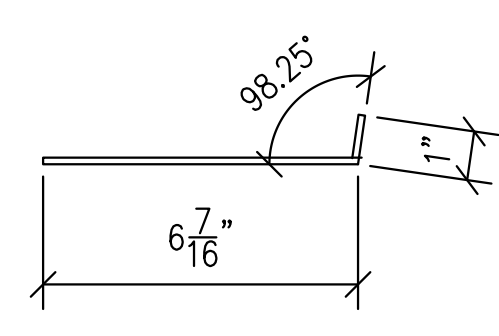
JOB NAME:	ITEM NUMBER: -
JOB NUMBER: -	DATE: 7/14/2022
JOB LOCATION: CAMBRIDGE, MA	DETAILER: TS
GENERAL CONTRACTOR:	ITEM DESCRIPTION: GARAGE STAIR G1
DRAWING NO.: G1Q	



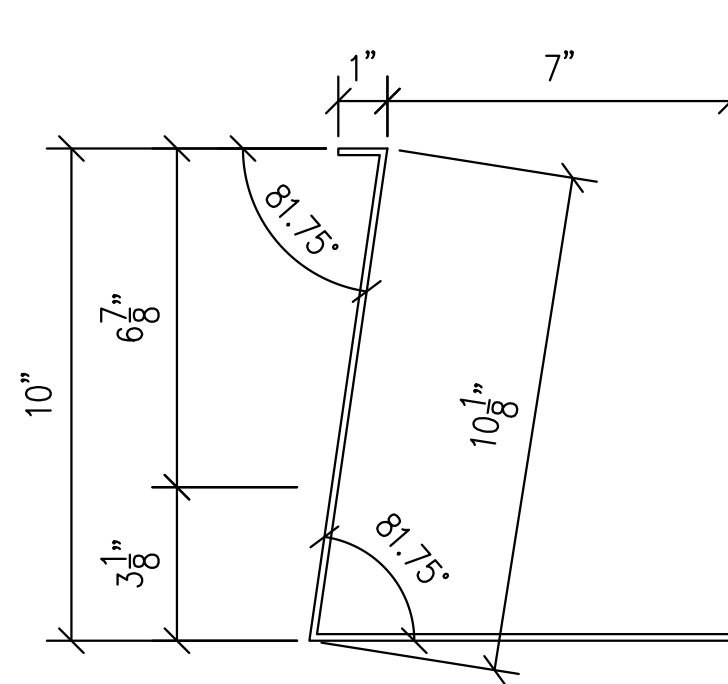
R1
10 GA. BENT PAN x 5'-6" LG.
LEVEL G0 TO LANDING G1-0A
(1 REQ.)



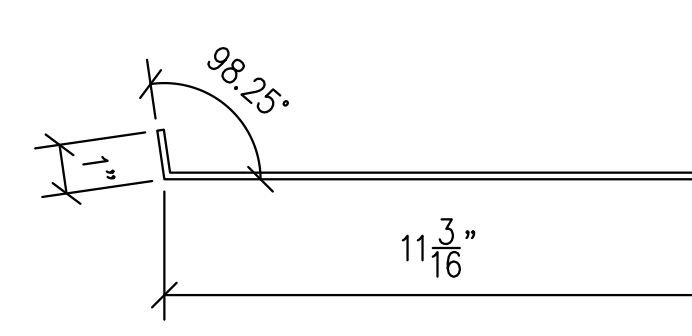
R2
10 GA. BENT PAN x 5'-6" LG.
LEVEL G0 TO LEVEL G1
(17 REQ.)



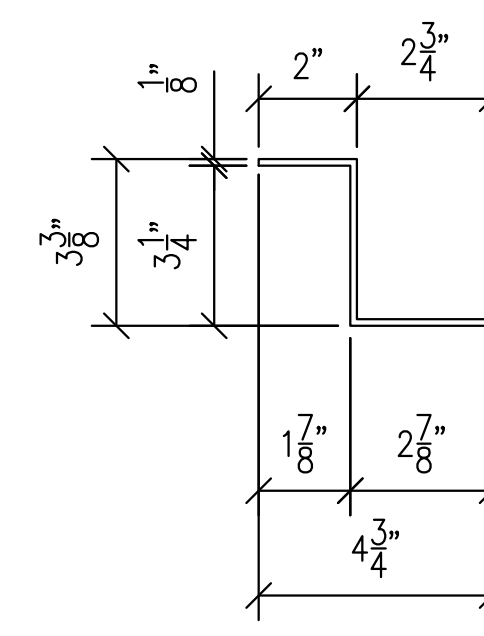
R3
10 GA. BENT PAN x 5'-6" LG.
LEVEL G0 TO LANDING G1-0A
(1 REQ.)



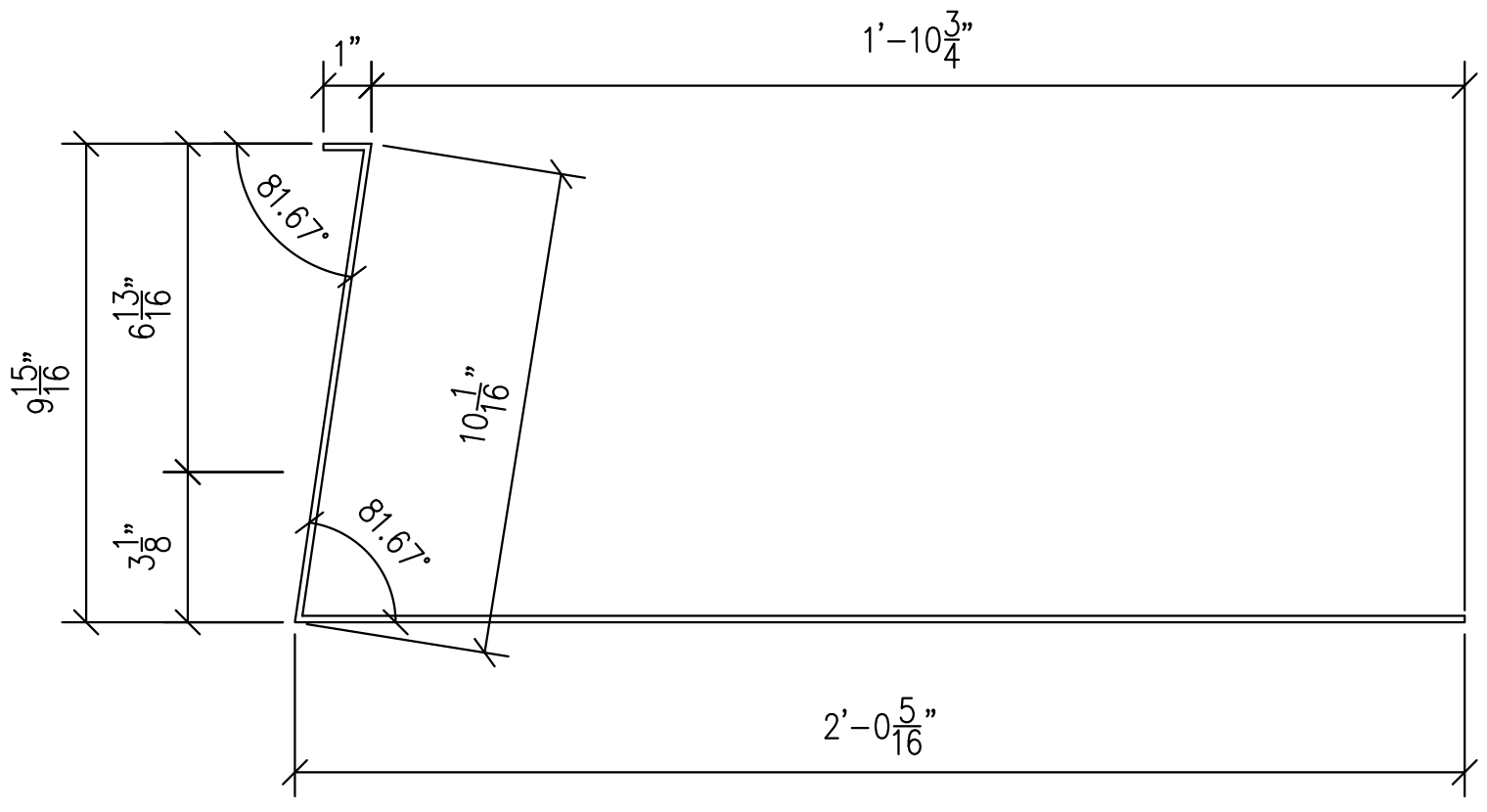
R4
10 GA. BENT PAN x 5'-6" LG.
LANDING G1-0A TO LEVEL G1
(1 REQ.)



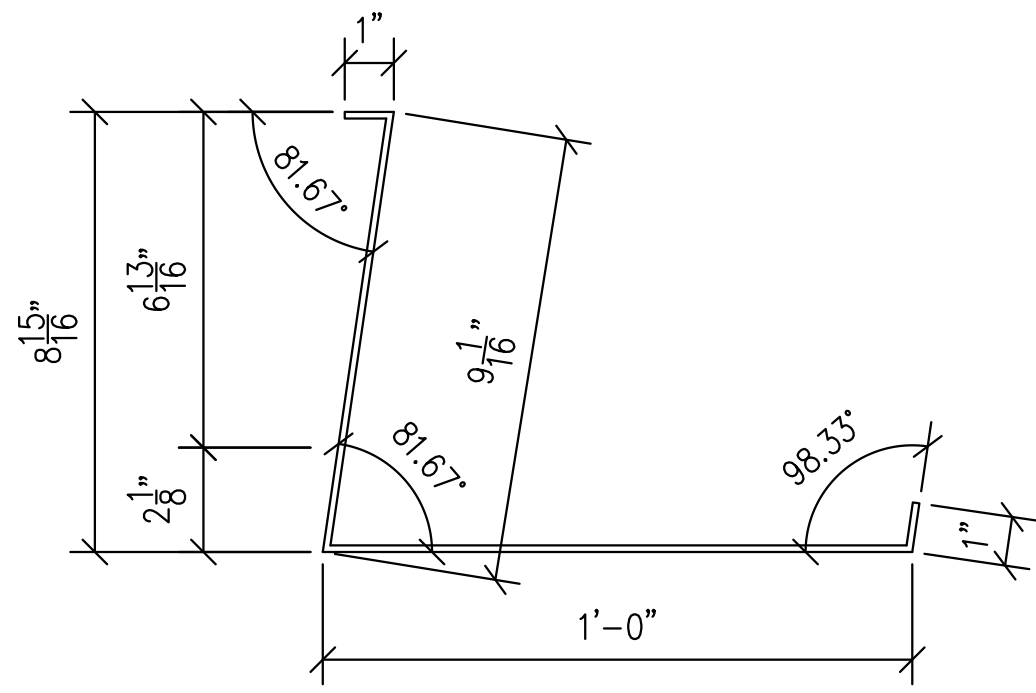
R5
10 GA. BENT PAN x 5'-6" LG.
LANDING G1-0A TO LEVEL G1
(1 REQ.)



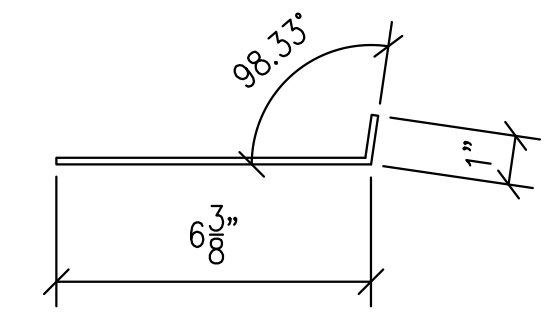
R6
10 GA. BENT PAN x 5'-6" LG.
LEVEL G1, G2, G4, & G5
(7 REQ.)



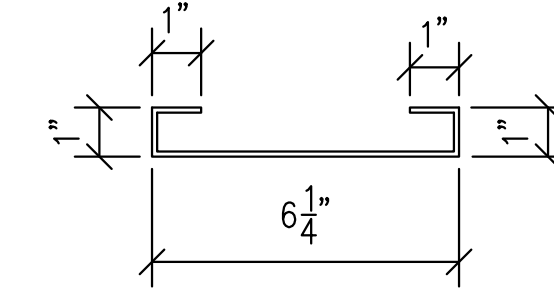
R7
10 GA. BENT PAN x 5'-6" LG.
LEVEL G1, G2, G3, & G4
(4 REQ.)



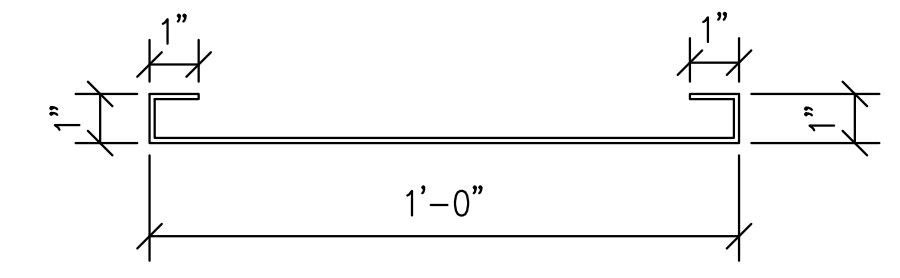
R8
10 GA. BENT PAN x 5'-6" LG.
LEVEL G1 TO LEVEL G5
(64 REQ.)



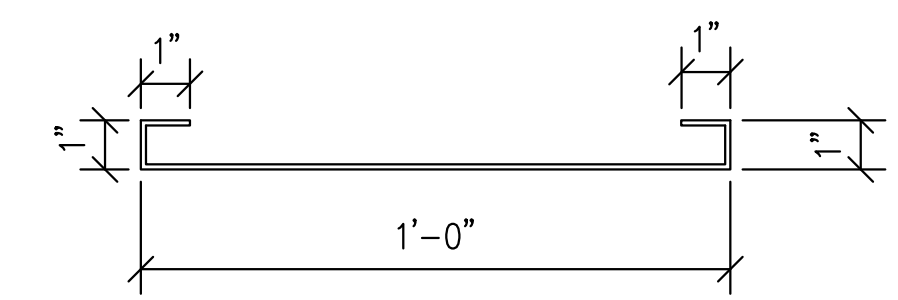
R9
10 GA. BENT PAN x 5'-6" LG.
LANDING G1-1A, G1-2A, G1-3A, & G1-4A
(4 REQ.)



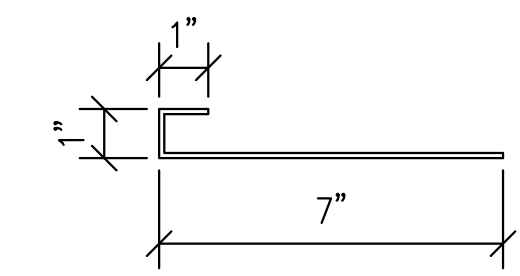
R10
10 GA. BENT PAN x 5'-5 1/2" LG.
LANDING G1-1A, G1-2A, G1-3A, & G1-4A
(4 REQ.)



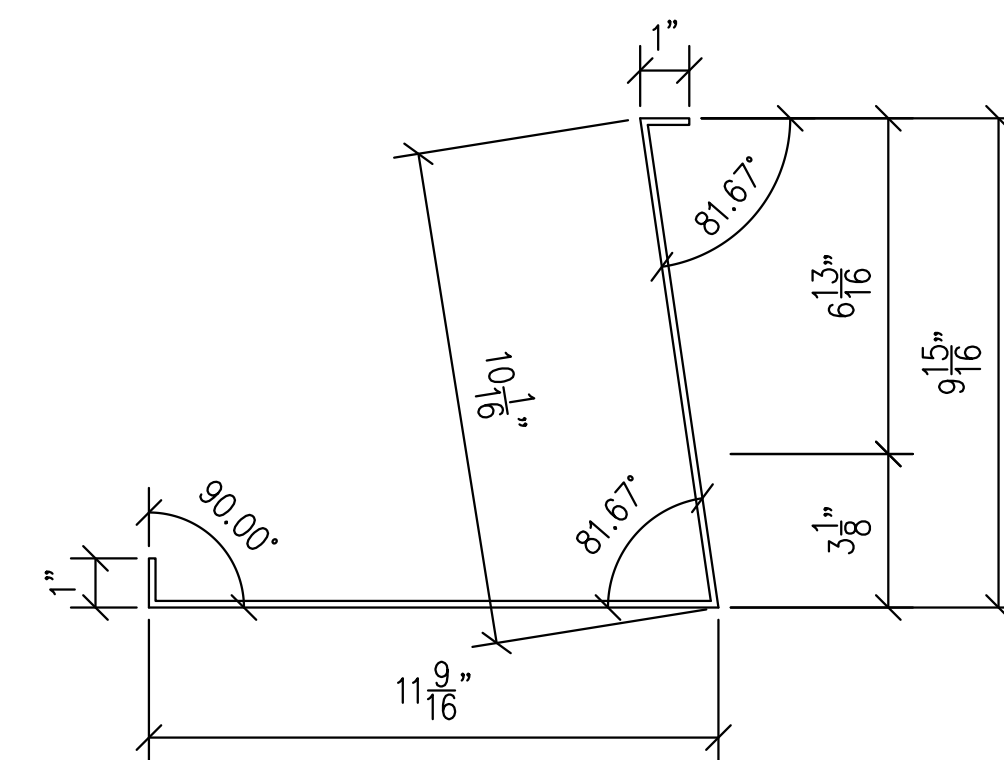
R11
10 GA. BENT PAN x 5'-5 1/2" LG.
LANDING G1-0A, G1-1A, G1-2A, G1-3A, & G1-4A
(53 REQ.)



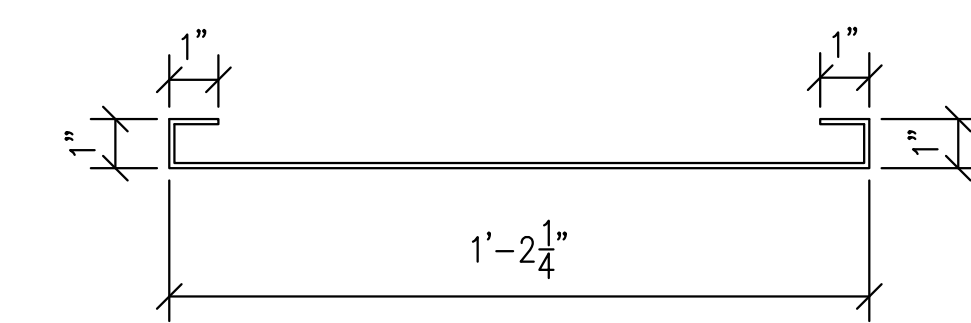
R12
10 GA. BENT PAN x 2'-8" LG.
LANDING G1-1A, G1-2A, G1-3A, & G1-4A
(20 REQ.)



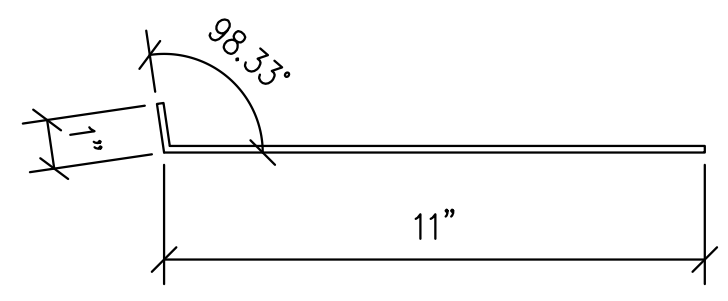
R13
10 GA. BENT PAN x 2'-8" LG.
LANDING G1-1A, G1-2A, G1-3A, & G1-4A
(4 REQ.)



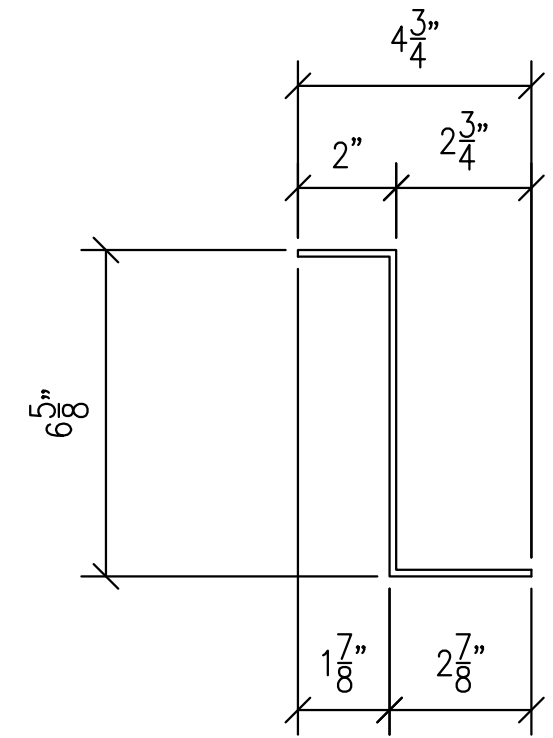
R14
10 GA. BENT PAN x 5'-6" LG.
LANDING G1-1A, G1-2A, G1-3A, & G1-4A
(4 REQ.)



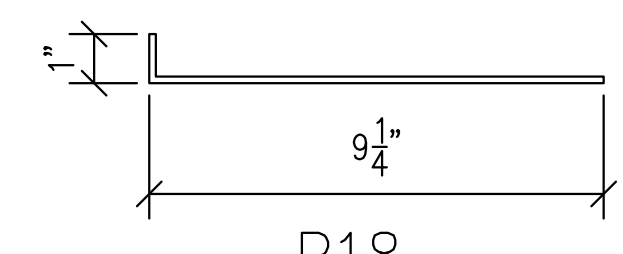
R15
10 GA. BENT PAN x 5'-5 1/2" LG.
LANDING G1-1A, G1-2A, G1-3A, & G1-4A
(4 REQ.)



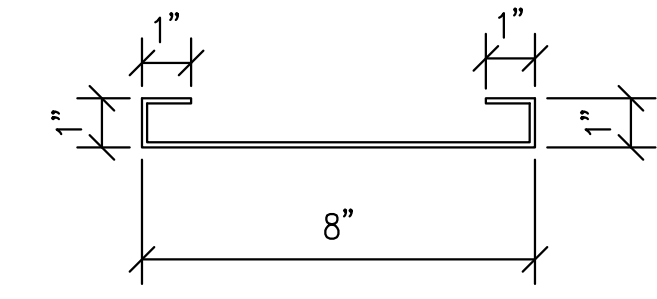
R16
10 GA. BENT PAN x 5'-6" LG.
LEVEL G2, G3, G4, & G5
(4 REQ.)



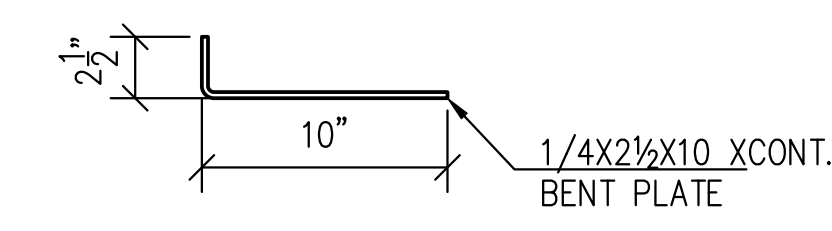
R17
10 GA. BENT PAN x 5'-6" LG.
LEVEL G3
(2 REQ.)



R18
10 GA. BENT PAN x 2'-4 3/8" LG.
LEVEL G1, G2, G3, & G4
(4 REQ.)



R19
10 GA. BENT PAN x 5'-5 1/2" LG.
LANDING G1-0A
(1 REQ.)



ma15
1/4x2 1/2x10 BENT PLATE x8'-9 3/8" LG.
(1 REQ. - ASSEMBLY G1QB2)

BILL OF MATERIALS				
REQ.	PC. MARK	SHAPE	LENGTH	REMARKS
1	R1	10 GA. BENT METAL PAN	5' 6"	-
17	R2	10 GA. BENT METAL PAN	5' 6"	-
1	R3	10 GA. BENT METAL PAN	5' 6"	-
1	R4	10 GA. BENT METAL PAN	5' 6"	-
1	R5	10 GA. BENT METAL PAN	5' 6"	-
7	R6	10 GA. BENT METAL PAN	5' 6"	-
4	R7	10 GA. BENT METAL PAN	5' 6"	-
64	R8	10 GA. BENT METAL PAN	5' 6"	-
4	R9	10 GA. BENT METAL PAN	5' 6"	-
4	R10	10 GA. BENT METAL PAN	5' 5 1/2"	-
53	R11	10 GA. BENT METAL PAN	5' 5 1/2"	-
20	R12	10 GA. BENT METAL PAN	2' 8"	-
4	R13	10 GA. BENT METAL PAN	2' 8"	-
4	R14	10 GA. BENT METAL PAN	5' 6"	-
4	R15	10 GA. BENT METAL PAN	5' 5 1/2"	-
4	R16	10 GA. BENT METAL PAN	5' 6"	-
2	R17	10 GA. BENT METAL PAN	5' 6"	-
4	R18	10 GA. BENT METAL PAN	2' 4 3/8"	-
1	R19	10 GA. BENT METAL PAN	5' 5 1/2"	-
1	ma15	1/4X2 1/2X10 BENT PLATE	8' 9 3/8"	-

GENERAL NOTES:

- V.I.F. INDICATES DIMENSION TO BE VERIFIED IN FIELD
- F.V. INDICATES FIELD VERIFIED DIMENSION
- ALL CHANNELS, ANGLES, AND PLATES TO BE ASTM A36 U.O.N.
- ALL WIDE FLANGE SECTIONS TO BE ASTM A992 U.O.N.
- ALL HSS SECTIONS TO BE ASTM A500 GRADE B U.O.N.
- ALL PIPE TO BE ASTM A500 GRADE B U.O.N.
- ALL MECHANICAL TUBE TO BE ASTM A513 U.O.N.

REVISION	DESCRIPTION	DATE	BY
5	SHOP DRAWINGS FOR FAB. & ERECTION	9/6/2022	TS
4	SHOP DRAWINGS FOR FAB. & ERECTION	8/29/2022	TS
3	SHOP DRAWINGS FOR APPROVAL	8/17/2022	TS
2	SHOP DRAWINGS FOR APPROVAL	8/4/2022	TS
1	SHOP DRAWINGS FOR COORDINATION	8/1/2022	TS
0	SHOP DRAWINGS FOR APPROVAL	7/15/2022	TS

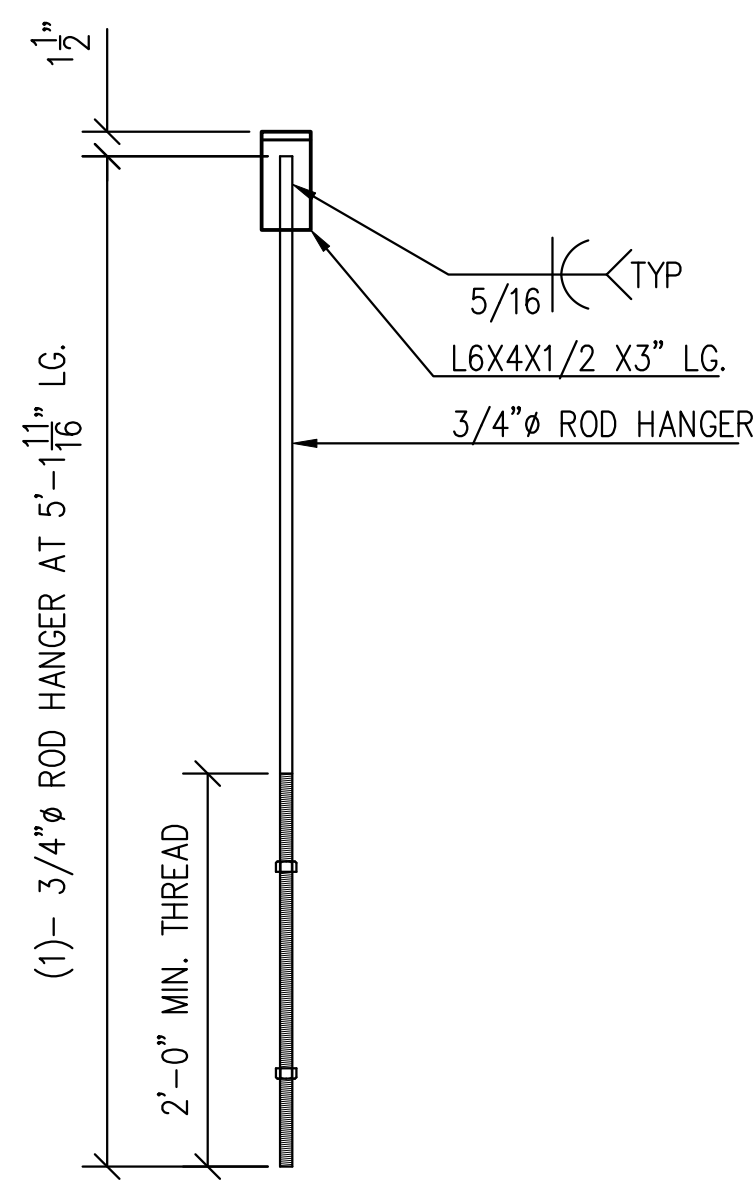
WELDS: E70XX U.O.N. HOLES: 1/16" Ø U.O.N.
FINISH: ONE COAT SHOP PRIMER U.O.N.



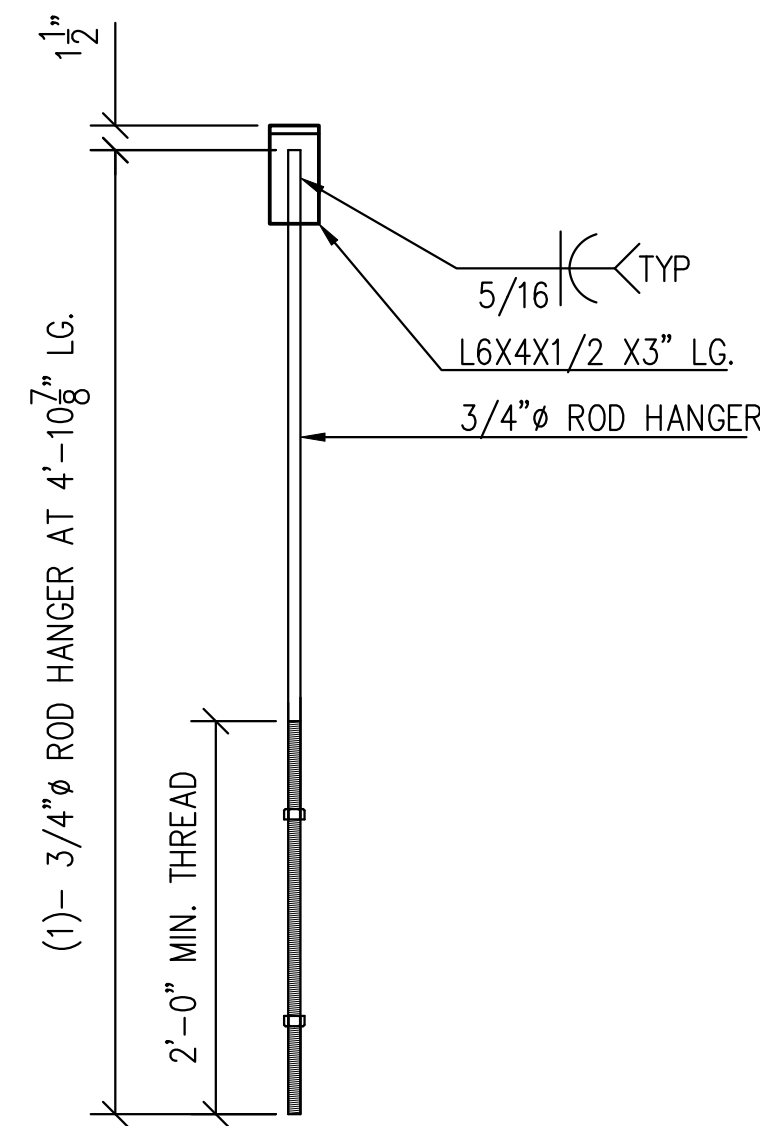
FOR FAB. & ERECTION:
9/6/2022

REFERENCE DESIGN DRAWINGS:
A121, A362, A655, A656, S111

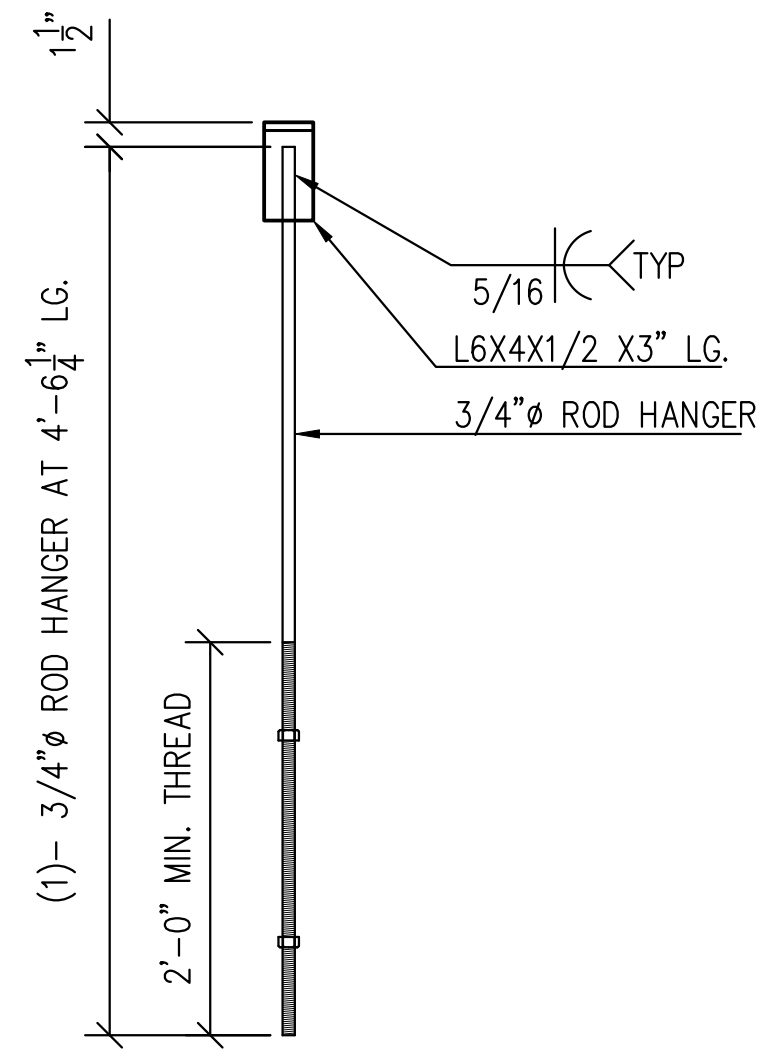
JOB NAME:	ITEM NUMBER: -
JOB NUMBER: -	DATE: 7/14/2022
JOB LOCATION: CAMBRIDGE, MA	DETAILER: TS
GENERAL CONTRACTOR:	ITEM DESCRIPTION: GARAGE STAIR G1
DRAWING NO.: G1R	



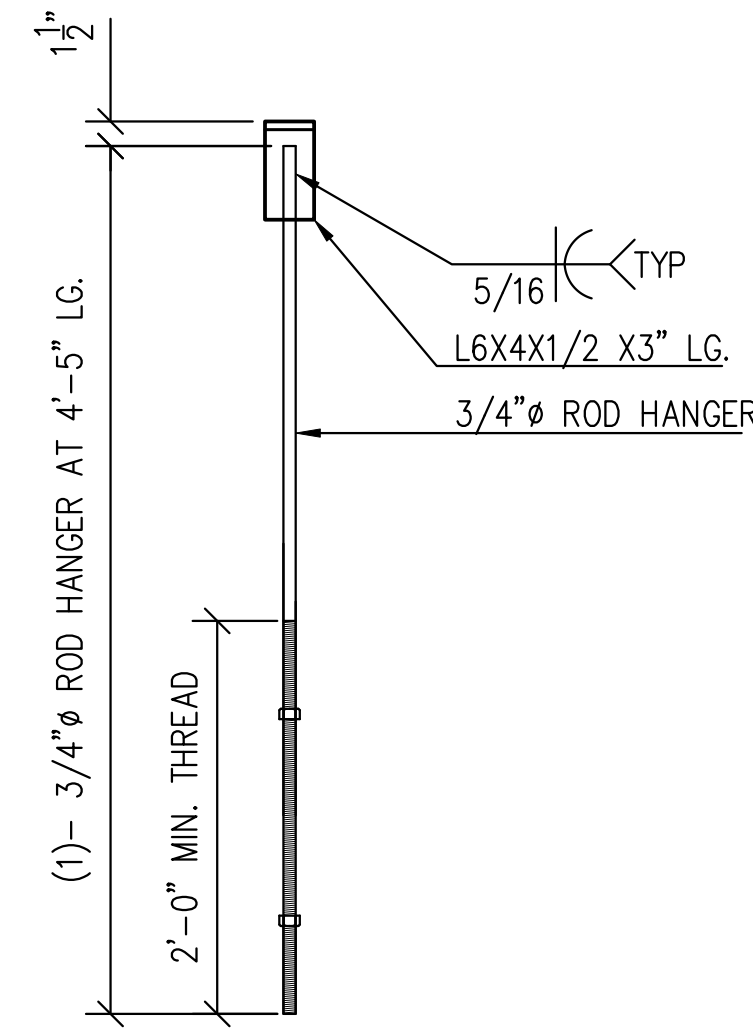
G1SH1
LANDING G1-0A
(2 REQ.)



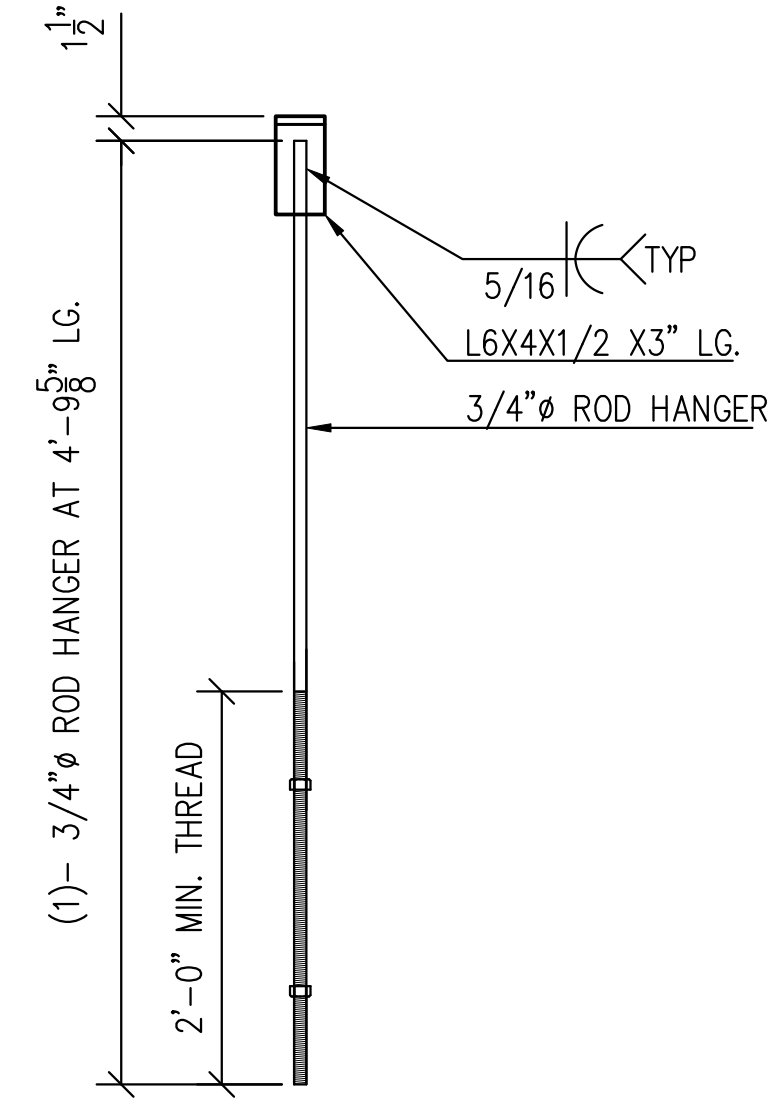
G1SH2
LANDING G1-1A, G1-3AM & G1-4A
(6 REQ.)



G1SH3
LANDING G1-1A, G1-3AM & G1-4A
(6 REQ.)



G1SH4
LANDING G1-2A
(2 REQ.)



G1SH5
LANDING G1-2A
(2 REQ.)

BILL OF MATERIALS				
REQ.	PC. MARK	SHAPE	LENGTH	REMARKS
2	G1SH1	3/4"Ø ROD HANGER	5' 1 1/16"	-
2	aa17	L6X4X1/2	0' 3"	-
6	G1SH2	3/4"Ø ROD HANGER	4' 10 5/8"	-
6	aa17	L6X4X1/2	0' 3"	-
6	G1SH3	3/4"Ø ROD HANGER	4' 6 1/4"	-
6	aa17	L6X4X1/2	0' 3"	-
2	G1SH4	3/4"Ø ROD HANGER	4' 5"	-
2	aa17	L6X4X1/2	0' 3"	-
2	G1SH5	3/4"Ø ROD HANGER	4' 9 5/8"	-
2	aa17	L6X4X1/2	0' 3"	-

- GENERAL NOTES:**
- V.I.F. INDICATES DIMENSION TO BE VERIFIED IN FIELD
 - F.V. INDICATES FIELD VERIFIED DIMENSION
 - ALL CHANNELS, ANGLES, AND PLATES TO BE ASTM A36 U.O.N.
 - ALL WIDE FLANGE SECTIONS TO BE ASTM A992 U.O.N.
 - ALL HSS SECTIONS TO BE ASTM A500 GRADE B U.O.N.
 - ALL PIPE TO BE ASTM A500 GRADE B U.O.N.
 - ALL MECHANICAL TUBE TO BE ASTM A513 U.O.N.

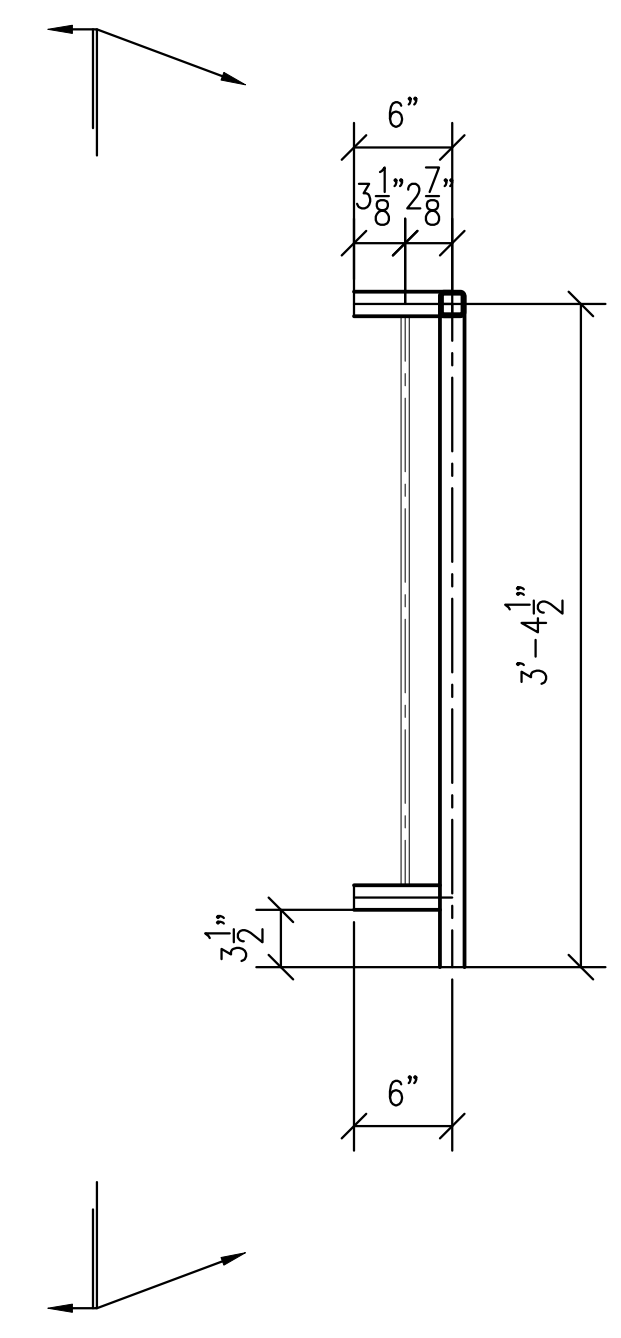
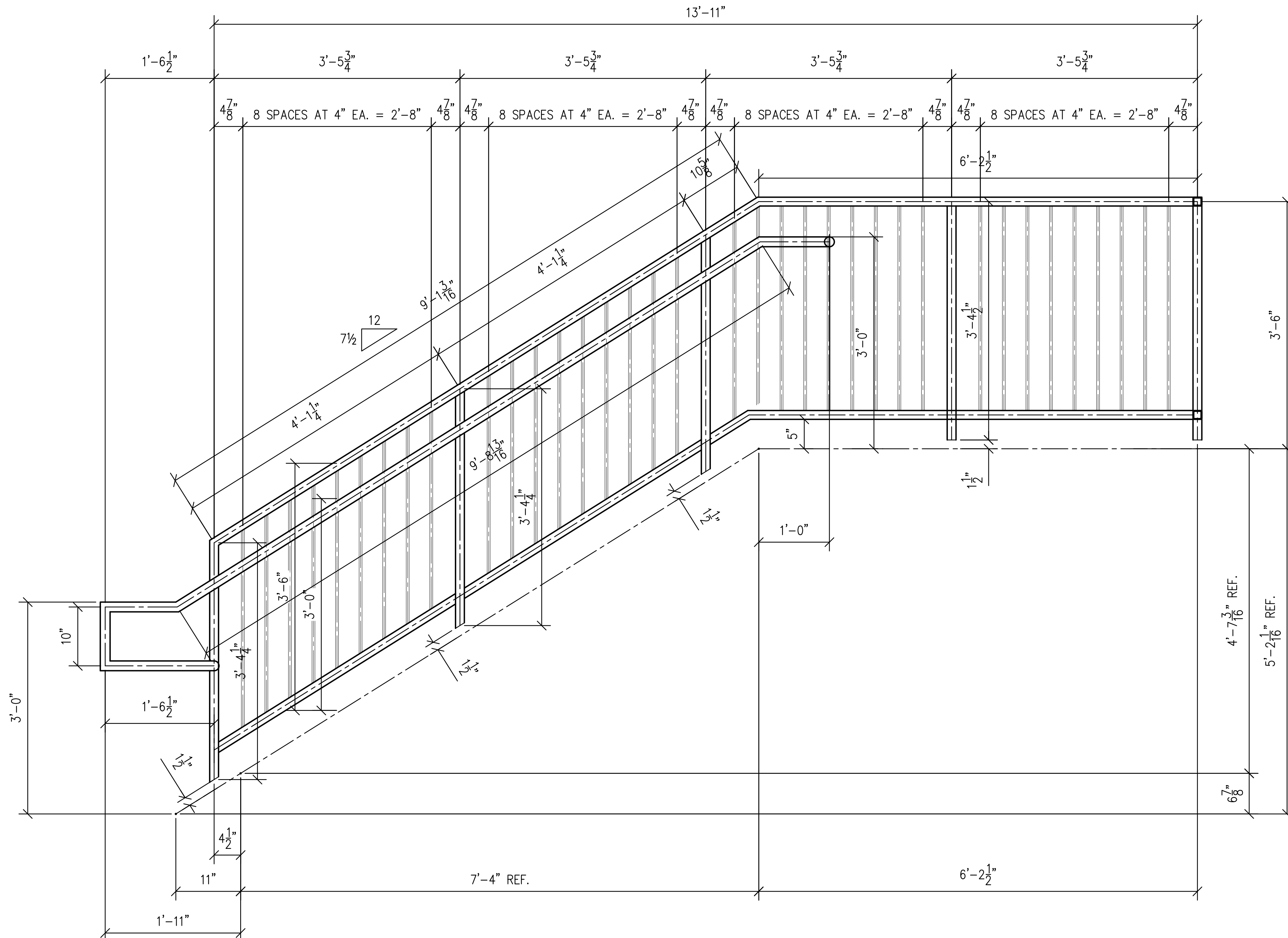
REVISION	DESCRIPTION	DATE	BY
5	SHOP DRAWINGS FOR FAB. & ERECTION	9/6/2022	TS
4	SHOP DRAWINGS FOR FAB. & ERECTION	8/29/2022	TS
3	SHOP DRAWINGS FOR APPROVAL	8/17/2022	TS
2	SHOP DRAWINGS FOR APPROVAL	8/4/2022	TS
1	SHOP DRAWINGS FOR COORDINATION	8/1/2022	TS
0	SHOP DRAWINGS FOR APPROVAL	7/15/2022	TS

WELDS: E70XX U.O.N.		HOLES: 1 3/16"Ø U.O.N.	
FINISH: ONE COAT SHOP PRIMER U.O.N.			
JOB NAME:	ITEM NUMBER: -		
JOB NUMBER: -	DATE: 7/14/2022		
JOB LOCATION: CAMBRIDGE, MA	DETAILER: TS		
GENERAL CONTRACTOR:	DRAWING NO.: G1S		
ITEM DESCRIPTION: GARAGE STAIR G1			

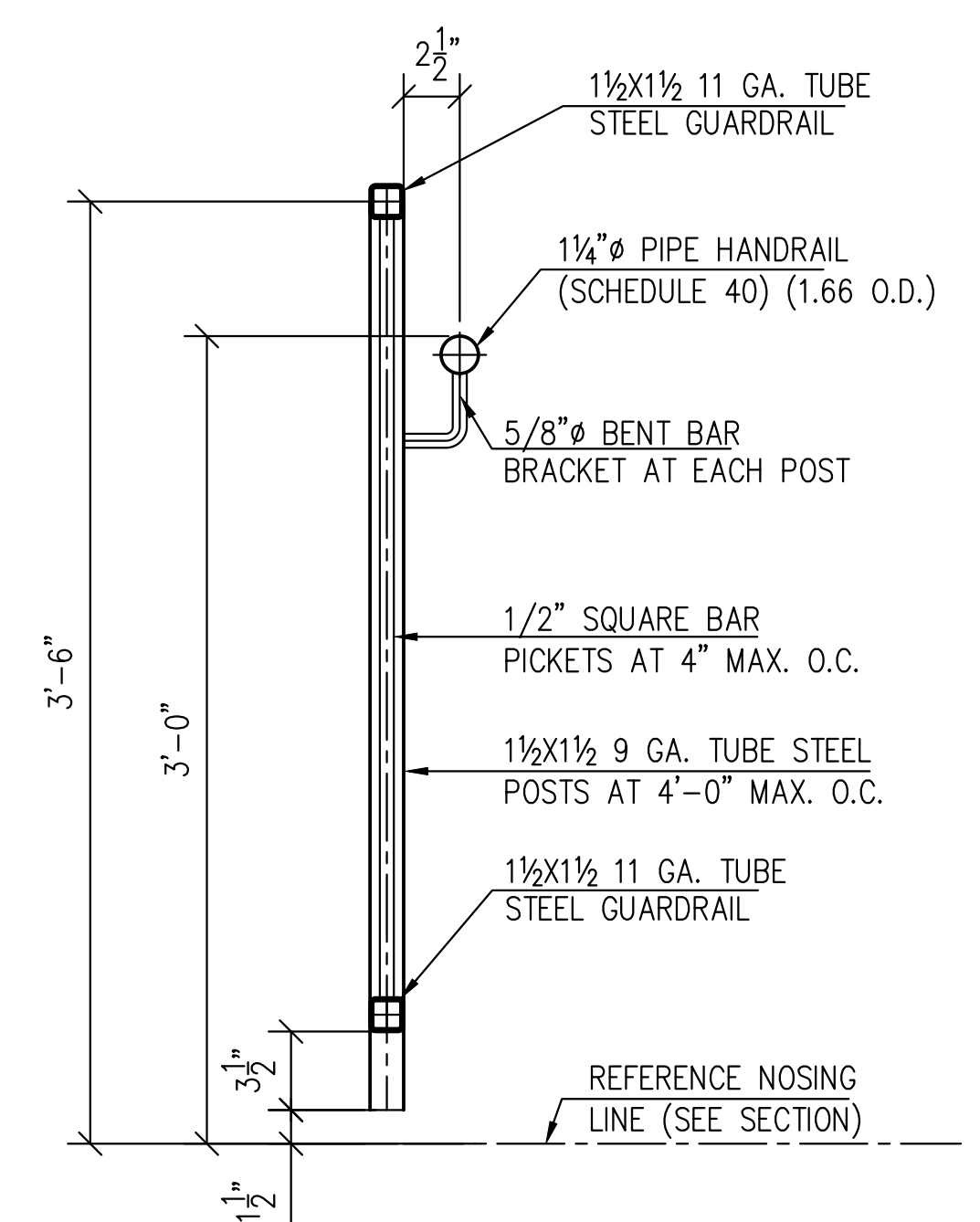


FOR FAB. & ERECTION:
9/6/2022

REFERENCE DESIGN DRAWINGS:
A121, A362, A655, A656, S111



G1TR1
LEVEL GO TO LANDING G1-0A
(1 REQ.)



TYPICAL GUARDRAIL DETAIL
SCALE 1 1/2"=1'-0"

BILL OF MATERIALS				
REQ.	PC. MARK	SHAPE	LENGTH	REMARKS
1	G1TR1	GUARDRAIL ASSEMBLY	-	-
LF		GUARDRAIL	1 1/2 X 1 1/2 11 GA. TUBE	32 LF
5		POSTS	1 1/2 X 1 1/2 9 GA. TUBE	3' 4 1/2 ±
18		PICKETS	1/2" SQUARE PICKETS	2' 10 3/4 ±
20		PICKETS	1/2" SQUARE PICKETS	2' 9 3/4 ±
LF		HANDRAIL	1 1/4" Ø PIPE (SCH. 40)	15 LF
3		BRACKETS	5/8" Ø BENT BAR	0' 6" ±



FOR FAB. & ERECTION:
9/6/2022

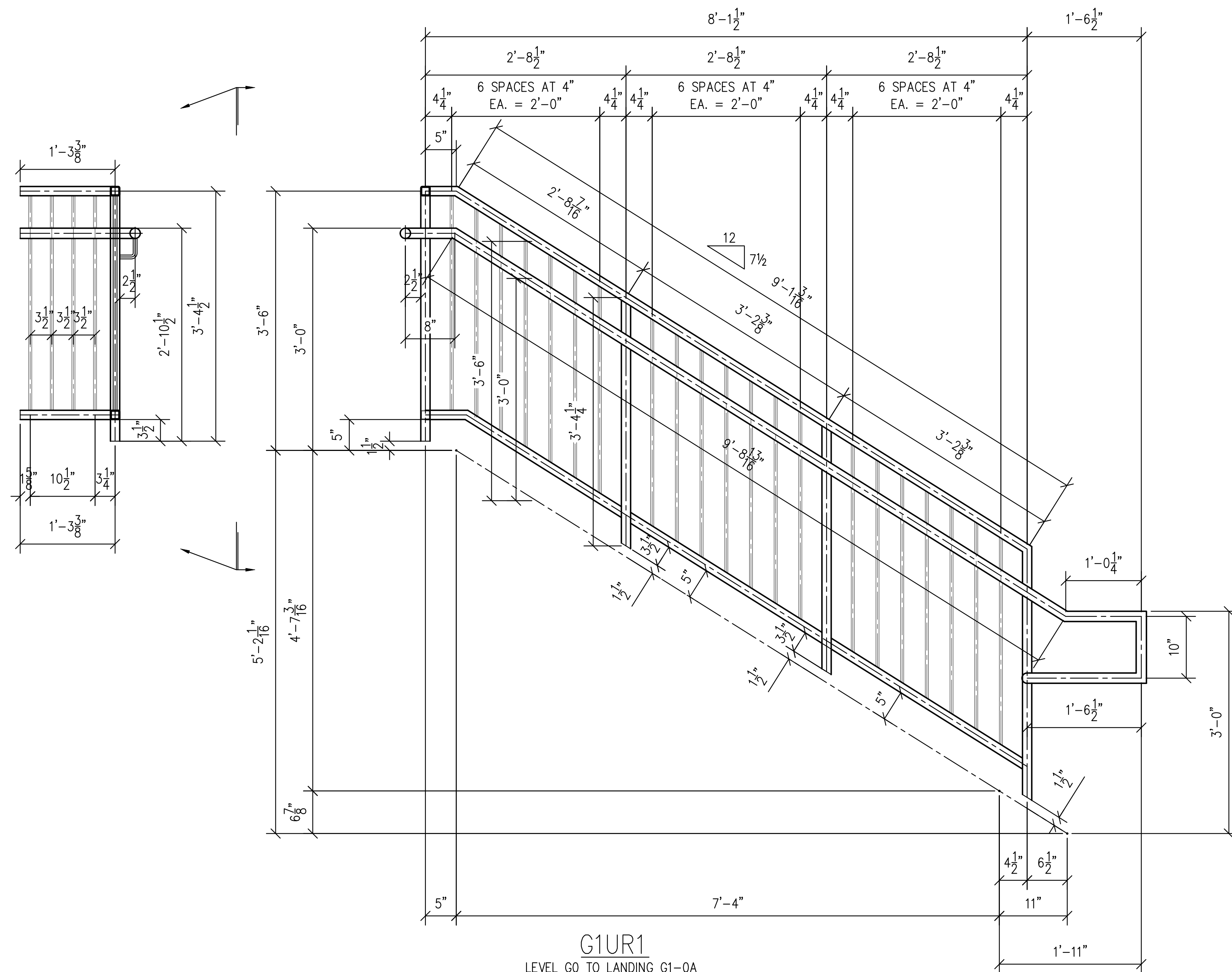
REFERENCE DESIGN DRAWINGS:
A121, A362, A655, A656, S111

- GENERAL NOTES:
1. V.I.F. INDICATES DIMENSION TO BE VERIFIED IN FIELD
 2. F.V. INDICATES FIELD VERIFIED DIMENSION
 3. ALL CHANNELS, ANGLES, AND PLATES TO BE ASTM A36 U.O.N.
 4. ALL WIDE FLANGE SECTIONS TO BE ASTM A992 U.O.N.
 5. ALL HSS SECTIONS TO BE ASTM A500 GRADE B U.O.N.
 6. ALL PIPE TO BE ASTM A500 GRADE B U.O.N.
 7. ALL MECHANICAL TUBE TO BE ASTM A513 U.O.N.

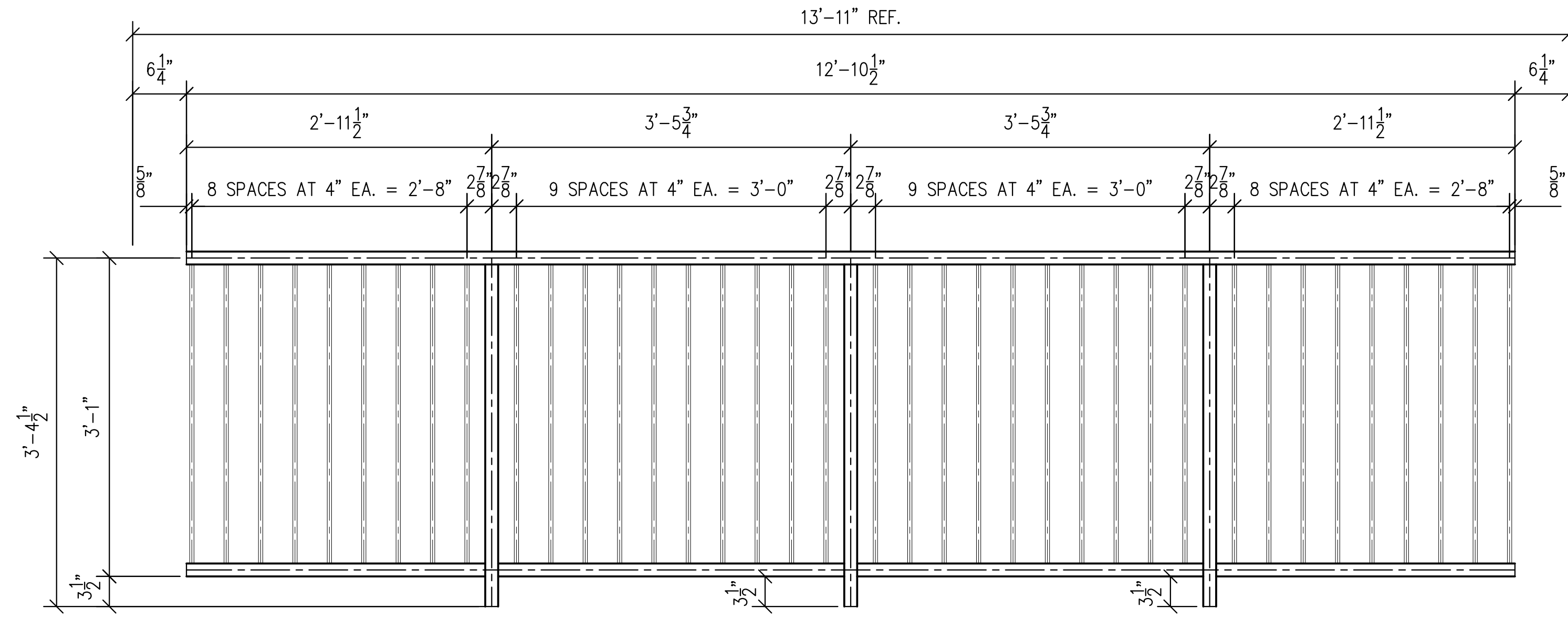
REVISION	DESCRIPTION	DATE	BY
5	SHOP DRAWINGS FOR FAB. & ERECTION	9/6/2022	TS
4	SHOP DRAWINGS FOR FAB. & ERECTION	8/29/2022	TS
3	SHOP DRAWINGS FOR APPROVAL	8/17/2022	TS
2	SHOP DRAWINGS FOR APPROVAL	8/4/2022	TS
1	SHOP DRAWINGS FOR COORDINATION	8/1/2022	TS
0	SHOP DRAWINGS FOR APPROVAL	7/15/2022	TS

WELDS: E70XX U.O.N. HOLES: 13/16" Ø U.O.N.
FINISH: ONE COAT SHOP PRIMER U.O.N.

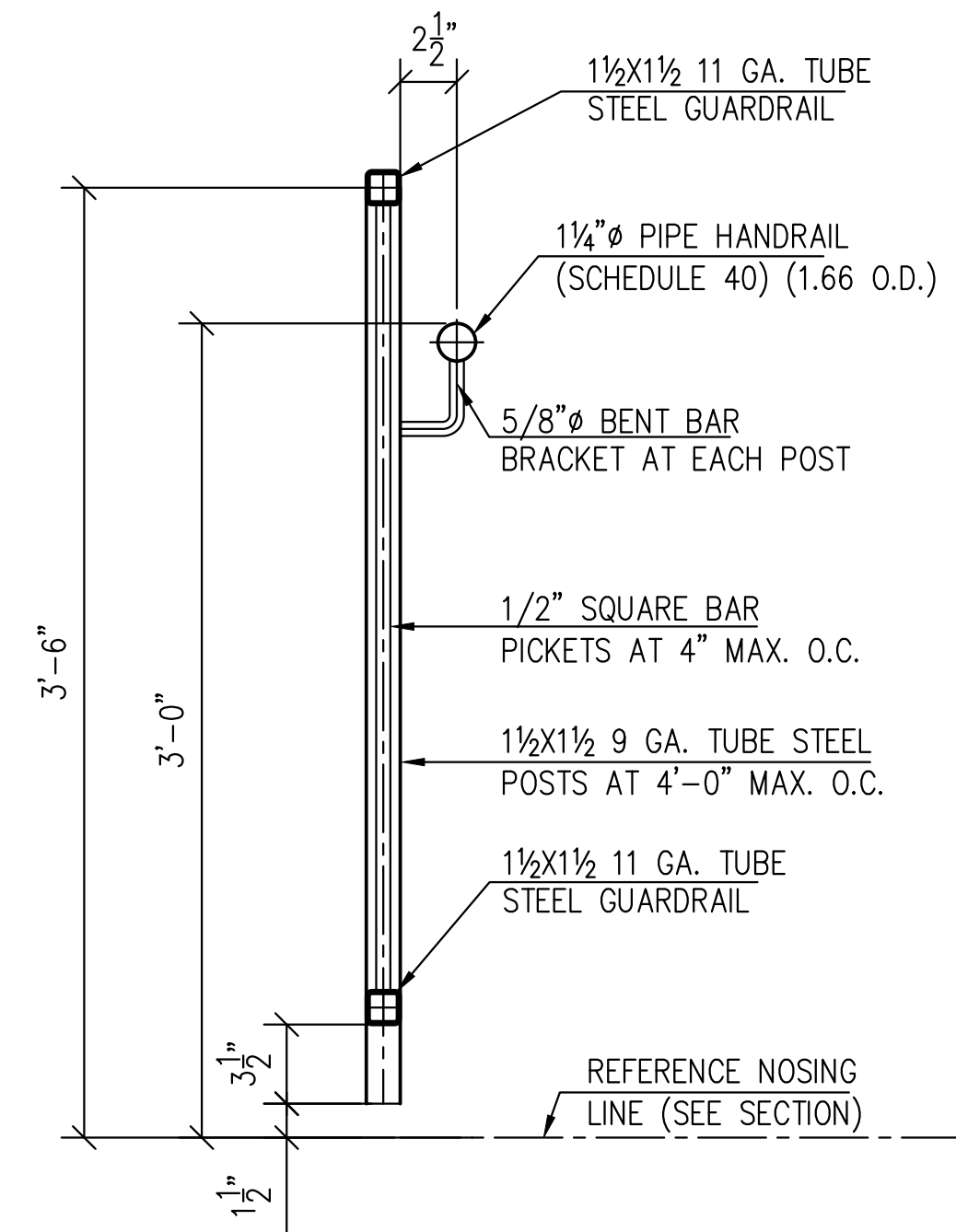
JOB NAME:	ITEM NUMBER: -
JOB NUMBER: -	DATE: 7/14/2022
JOB LOCATION: CAMBRIDGE, MA	DETAILER: TS
GENERAL CONTRACTOR:	
ITEM DESCRIPTION: GARAGE STAIR G1	DRAWING NO.: G1T



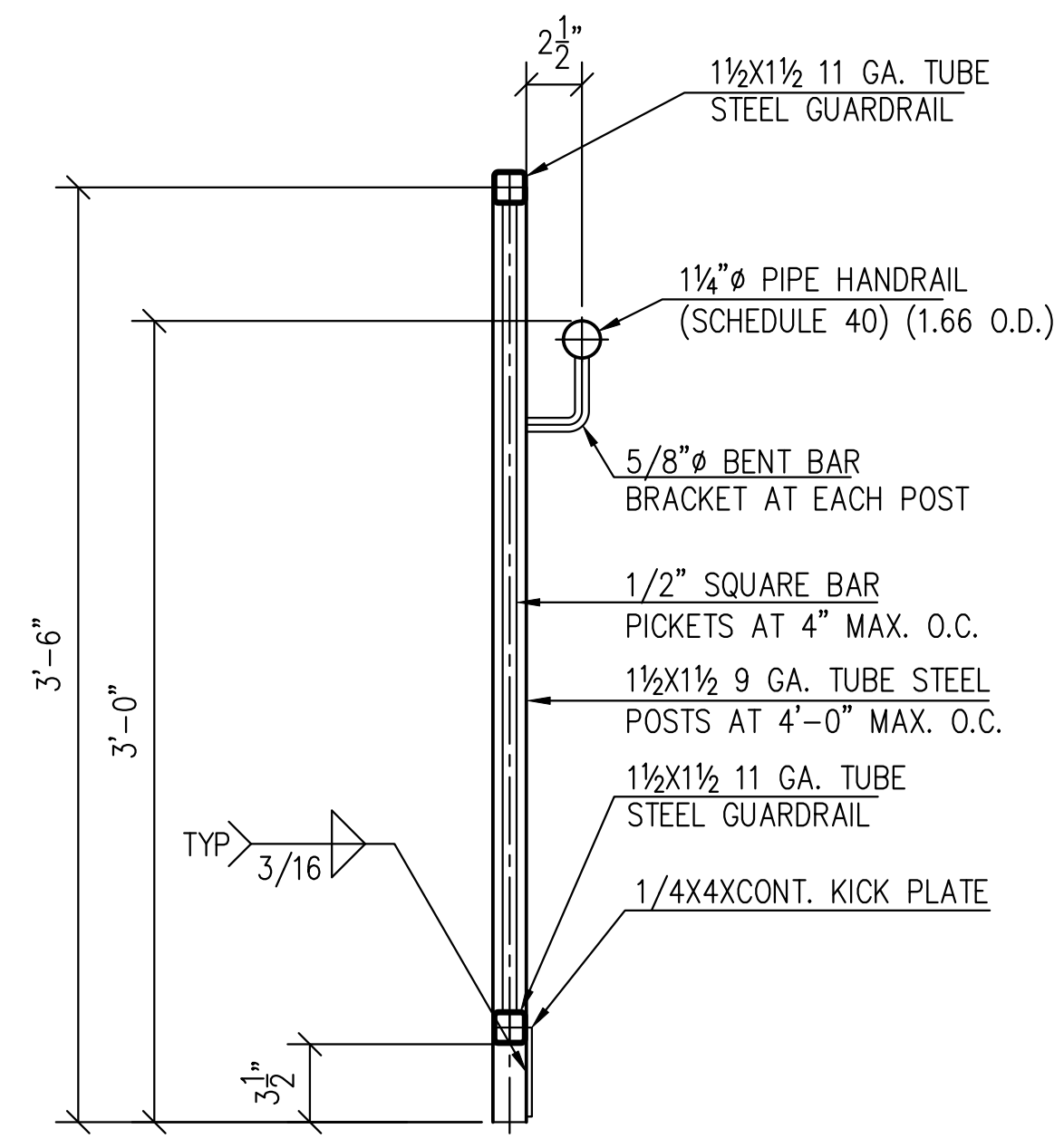
G1UR1
LEVEL GO TO LANDING G1-0A
(1 REQ.)



G1UR2
LANDING G1-0A
LANDING G1-1A
LANDING G1-2A
LANDING G1-3A
LANDING G1-4A
(5 REQ.)



TYPICAL GUARDRAIL DETAIL
SCALE 1 1/2"=1'-0"



TYPICAL SLAB-MOUNTED GUARDRAIL DETAIL
SCALE 1 1/2"=1'-0"

BILL OF MATERIALS				
REQ.	PC. MARK	SHAPE	LENGTH	REMARKS
1	G1UR1	GUARDRAIL ASSEMBLY	-	-
LF	GUARDRAIL	1 1/2 x 1 1/2 11 GA. TUBE	21 LF	-
4	POSTS	1 1/2 x 1 1/2 9 GA. TUBE	3' 4 1/2 ±	-
5	PICKETS	1/2" SQUARE PICKETS	2' 10 3/4 ±	-
20	PICKETS	1/2" SQUARE PICKETS	2' 9 3/4 ±	-
LF	HANDRAIL	1 1/4" PIPE (SCH. 40)	17 LF	-
4	BRACKETS	5/8" BENT BAR	0' 6" ±	-
5	G1UR2	GUARDRAIL ASSEMBLY	-	-
LF	GUARDRAIL	1 1/2 x 1 1/2 11 GA. TUBE	105 LF	-
15	POSTS	1 1/2 x 1 1/2 9 GA. TUBE	3' 4 1/2 ±	-
190	PICKETS	1/2" SQUARE PICKETS	2' 10 3/4 ±	-



FOR FAB. & ERECTION:
9/6/2022

REFERENCE DESIGN DRAWINGS:
A121, A362, A655, A656, S111

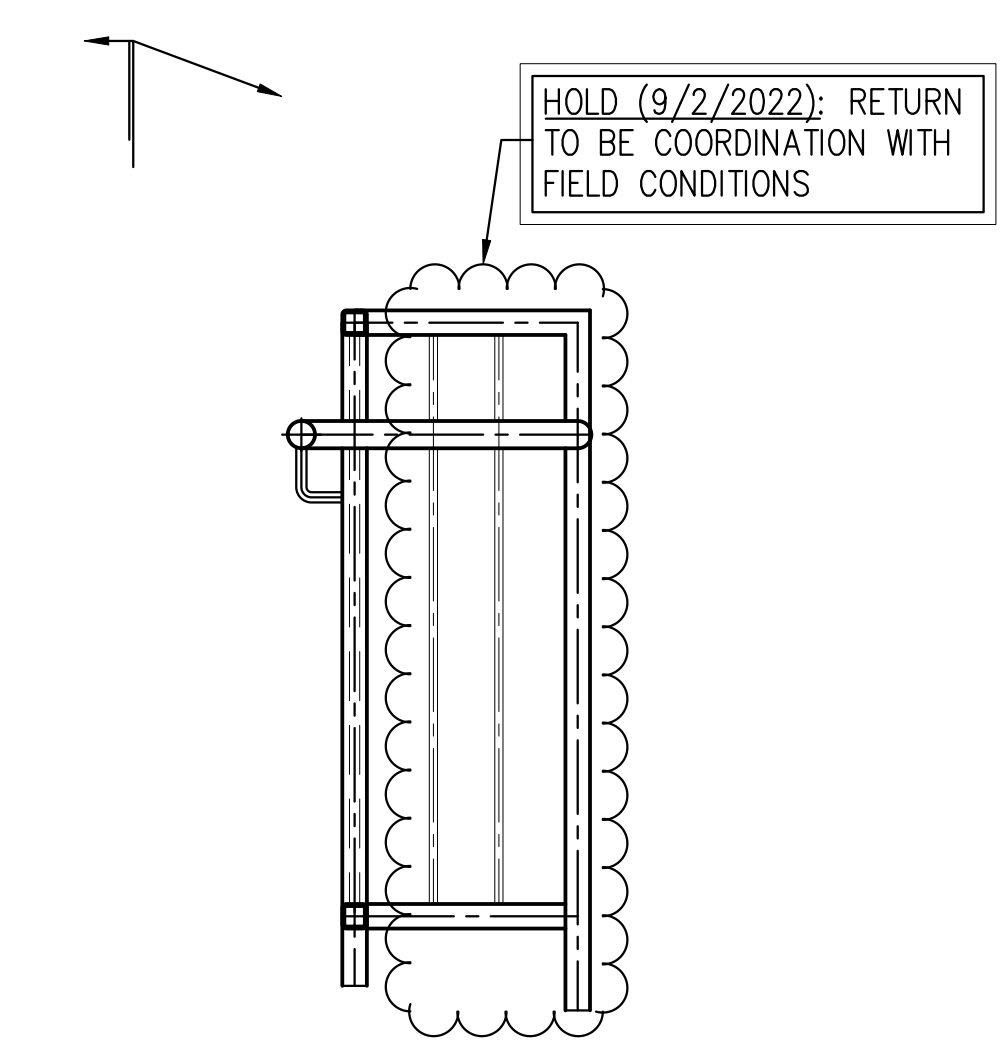
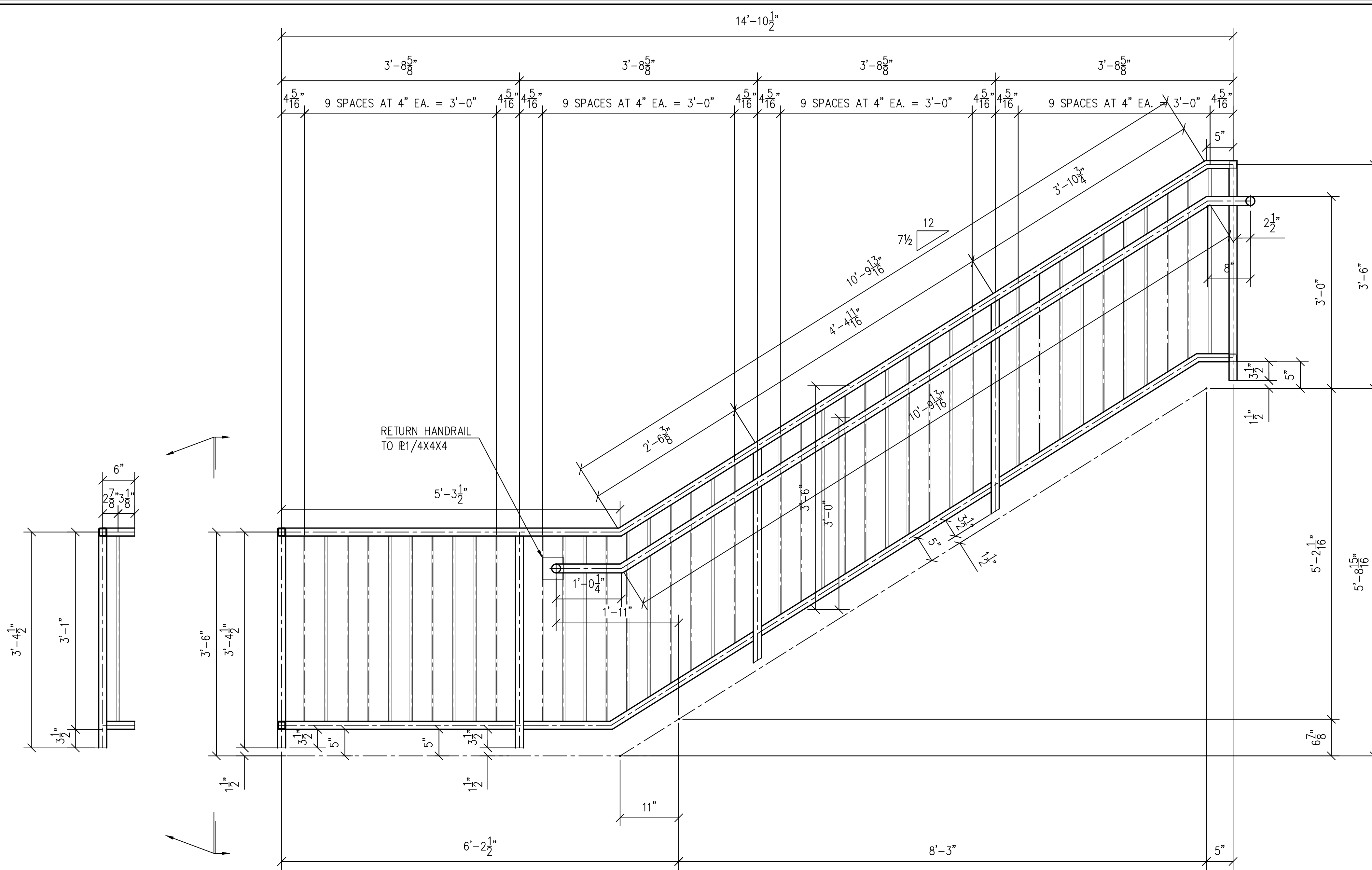
GENERAL NOTES:

- V.I.F. INDICATES DIMENSION TO BE VERIFIED IN FIELD
- F.V. INDICATES FIELD VERIFIED DIMENSION
- ALL CHANNELS, ANGLES, AND PLATES TO BE ASTM A36 U.O.N.
- ALL WIDE FLANGE SECTIONS TO BE ASTM A992 U.O.N.
- ALL HSS SECTIONS TO BE ASTM A500 GRADE B U.O.N.
- ALL PIPE TO BE ASTM A500 GRADE B U.O.N.
- ALL MECHANICAL TUBE TO BE ASTM A513 U.O.N.

REVISION	DESCRIPTION	DATE	BY
5	SHOP DRAWINGS FOR FAB. & ERECTION	9/6/2022	TS
4	SHOP DRAWINGS FOR FAB. & ERECTION	8/29/2022	TS
3	SHOP DRAWINGS FOR APPROVAL	8/17/2022	TS
2	SHOP DRAWINGS FOR APPROVAL	8/4/2022	TS
1	SHOP DRAWINGS FOR COORDINATION	8/1/2022	TS
0	SHOP DRAWINGS FOR APPROVAL	7/15/2022	TS

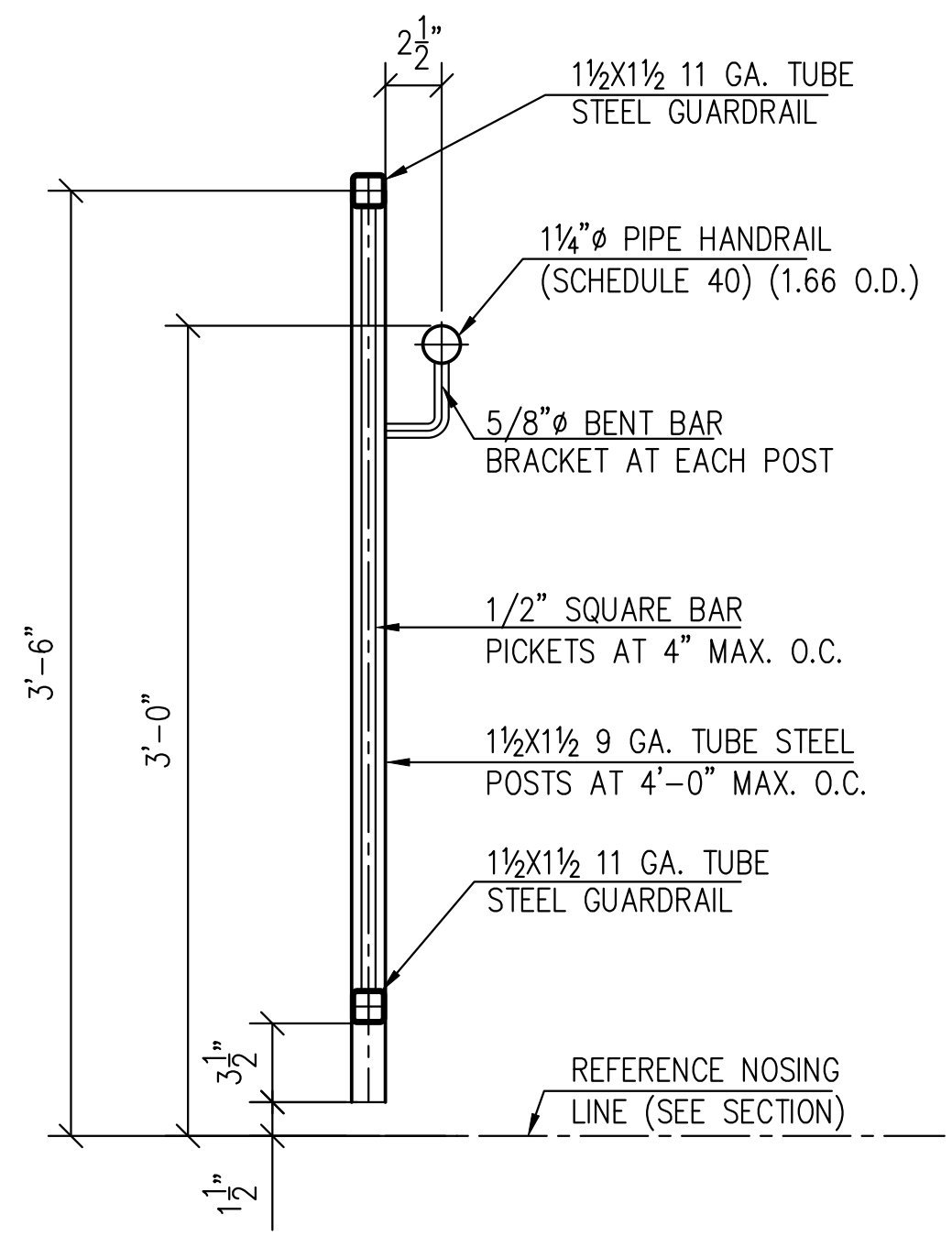
WELDS: E70XX U.O.N. HOLES: 13/16" O.U.N.
FINISH: ONE COAT SHOP PRIMER U.O.N.

JOB NAME:	ITEM NUMBER: -
JOB NUMBER: -	DATE: 7/14/2022
JOB LOCATION: CAMBRIDGE, MA	DETAILER: TS
GENERAL CONTRACTOR:	ITEM DESCRIPTION: GARAGE STAIR G1
	DRAWING NO.: G1U



BILL OF MATERIALS				
REQ.	PC. MARK	SHAPE	LENGTH	REMARKS
1	G1WR1	GUARDRAIL ASSEMBLY	-	-
LF		GUARDRAIL	1 1/2 x 1 1/2 11 GA. TUBE	36 LF
5		POSTS	1 1/2 x 1 1/2 9 GA. TUBE	3' 4 1/2 ±
17		PICKETS	1/2" SQUARE PICKETS	2' 10 3/4 ±
25		PICKETS	1/2" SQUARE PICKETS	2' 9 3/4 ±
LF		HANDRAIL	1 1/4" Ø PIPE (SCH. 40)	15 LF
3		BRACKETS	5/8" Ø BENT BAR	0' 6" ±
1	-		Ø1/4X4	0' 4"

G1WR1
LANDING G1-0A TO LEVEL G1
(1 REQ.)



TYPICAL GUARDRAIL DETAIL
SCALE 1 1/2" = 1'-0"



FOR FAB. & ERECTION:
9/6/2022

REFERENCE DESIGN DRAWINGS:
A121, A362, A655, A656, S111

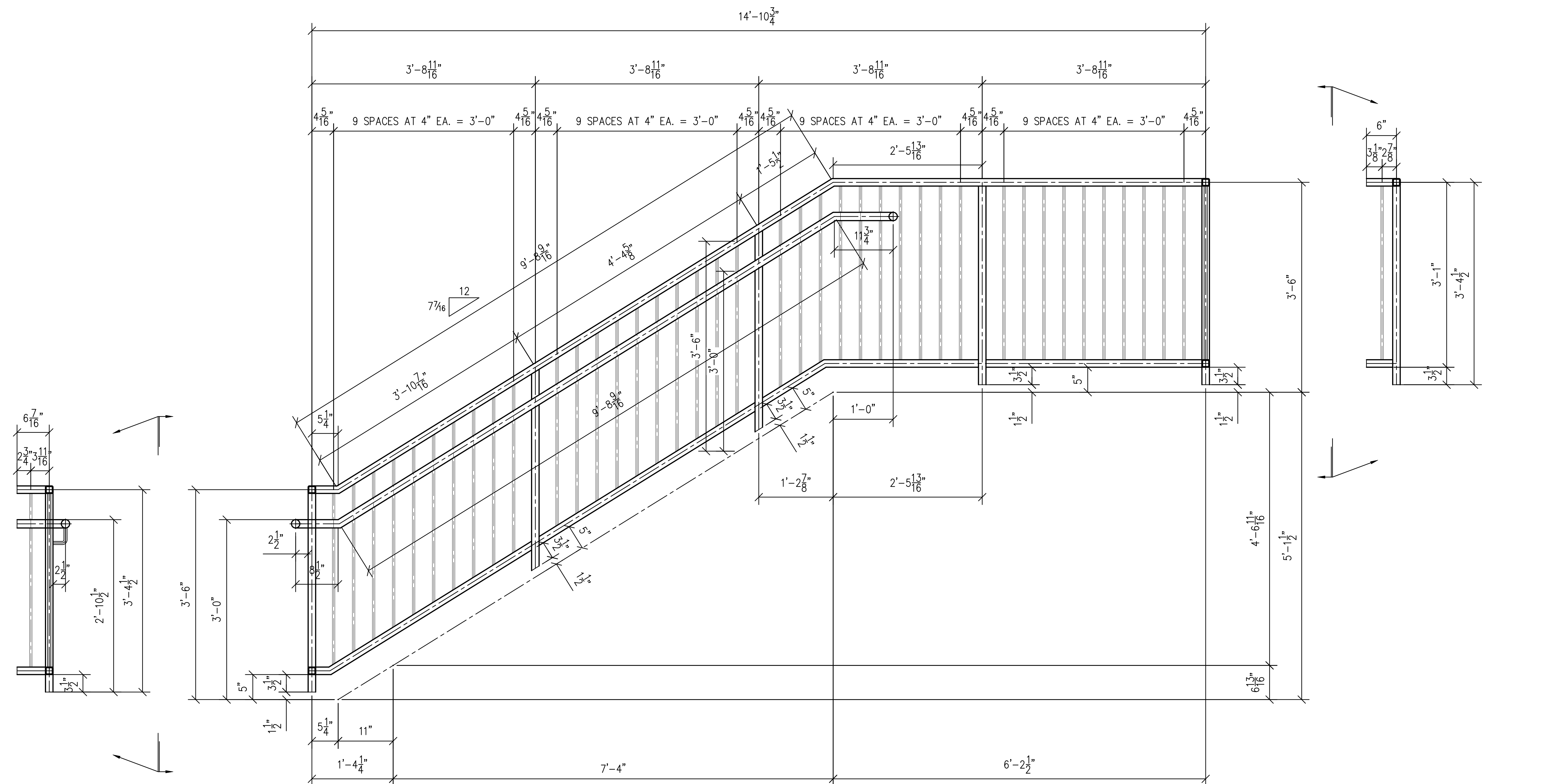
GENERAL NOTES:

- V.I.F. INDICATES DIMENSION TO BE VERIFIED IN FIELD
- F.V. INDICATES FIELD VERIFIED DIMENSION
- ALL CHANNELS, ANGLES, AND PLATES TO BE ASTM A36 U.O.N.
- ALL WIDE FLANGE SECTIONS TO BE ASTM A992 U.O.N.
- ALL HSS SECTIONS TO BE ASTM A500 GRADE B U.O.N.
- ALL PIPE TO BE ASTM A500 GRADE B U.O.N.
- ALL MECHANICAL TUBE TO BE ASTM A513 U.O.N.

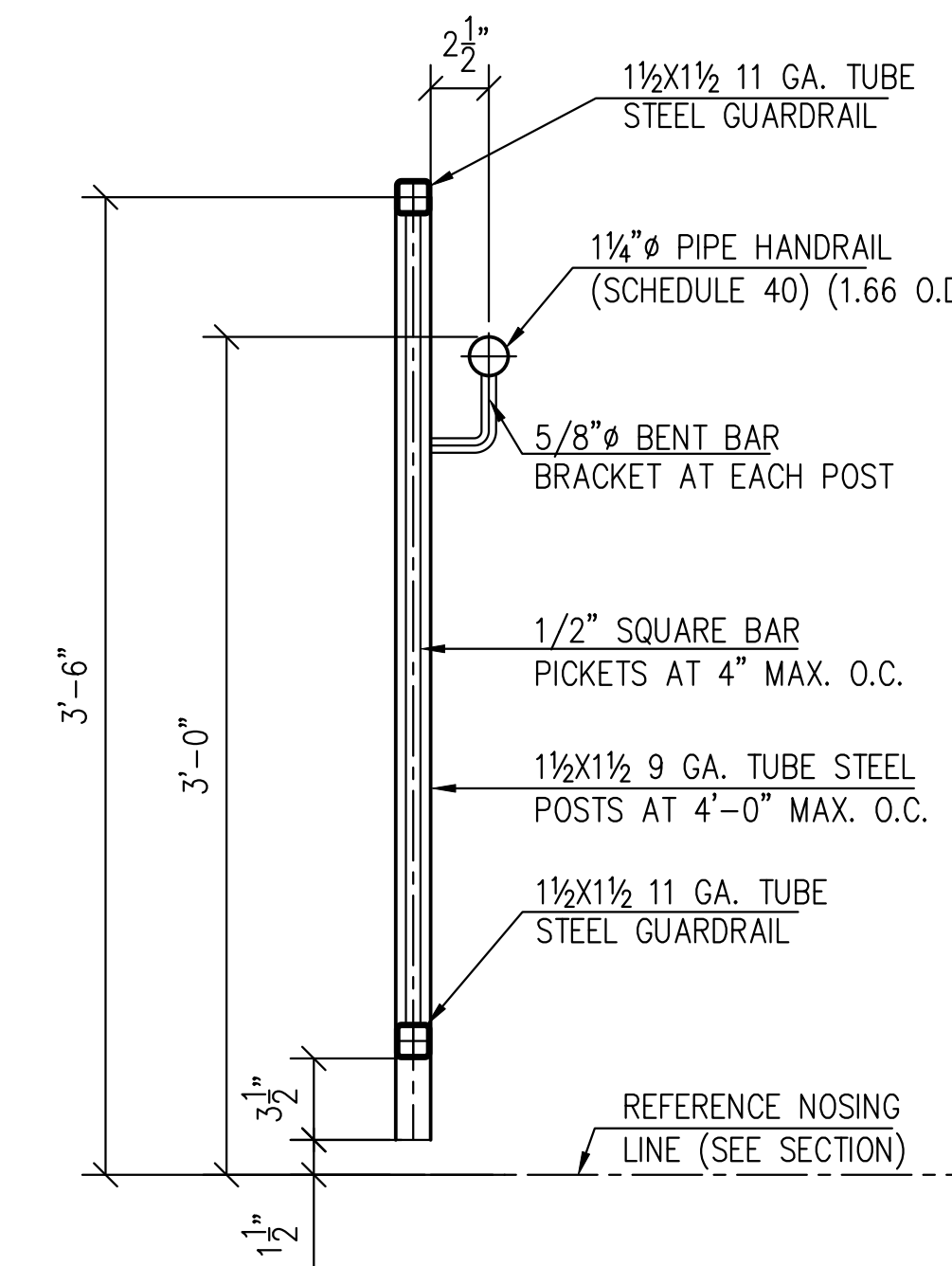
REVISION	DESCRIPTION	DATE	BY
5	SHOP DRAWINGS FOR FAB. & ERECTION	9/6/2022	TS
4	SHOP DRAWINGS FOR FAB. & ERECTION	8/29/2022	TS
3	SHOP DRAWINGS FOR APPROVAL	8/17/2022	TS
2	SHOP DRAWINGS FOR APPROVAL	8/4/2022	TS
1	SHOP DRAWINGS FOR COORDINATION	8/1/2022	TS
0	SHOP DRAWINGS FOR APPROVAL	7/15/2022	TS

WELDS: E70XX U.O.N. HOLES: 1 3/16" Ø U.O.N.
FINISH: ONE COAT SHOP PRIMER U.O.N.

JOB NAME:	ITEM NUMBER: -
JOB NUMBER: -	DATE: 7/14/2022
JOB LOCATION: CAMBRIDGE, MA	DETAILER: TS
GENERAL CONTRACTOR:	DRAWING NO.: G1W



G1YR1
 LEVEL G1 TO LANDING G1-1A
 LEVEL G2 TO LANDING G1-2A
 LEVEL G3 TO LANDING G1-3A
 LEVEL G4 TO LANDING G1-4A
 (4 REQ.)



TYPICAL GUARDRAIL DETAIL
 SCALE 1/2"=1'-0"

BILL OF MATERIALS				
REQ.	PC. MARK	SHAPE	LENGTH	REMARKS
4	G1YR1	GUARDRAIL ASSEMBLY	-	-
LF		GUARDRAIL	1 1/2 x 1 1/2 11 GA. TUBE	100 LF
20		POSTS	1 1/2 x 1 1/2 9 GA. TUBE	3' 4 1/2 ±
76		PICKETS	1/2" SQUARE PICKETS	2' 10 3/4 ±
92		PICKETS	1/2" SQUARE PICKETS	2' 9 3/4 ±
LF		HANDRAIL	1 1/4" Ø PIPE (SCH. 40)	52 LF
12		BRACKETS	5/8" Ø BENT BAR	0' 6" ±



FOR FAB. & ERECTION:
 9/6/2022

REFERENCE DESIGN DRAWINGS:
 A121, A362, A655, A656, S111

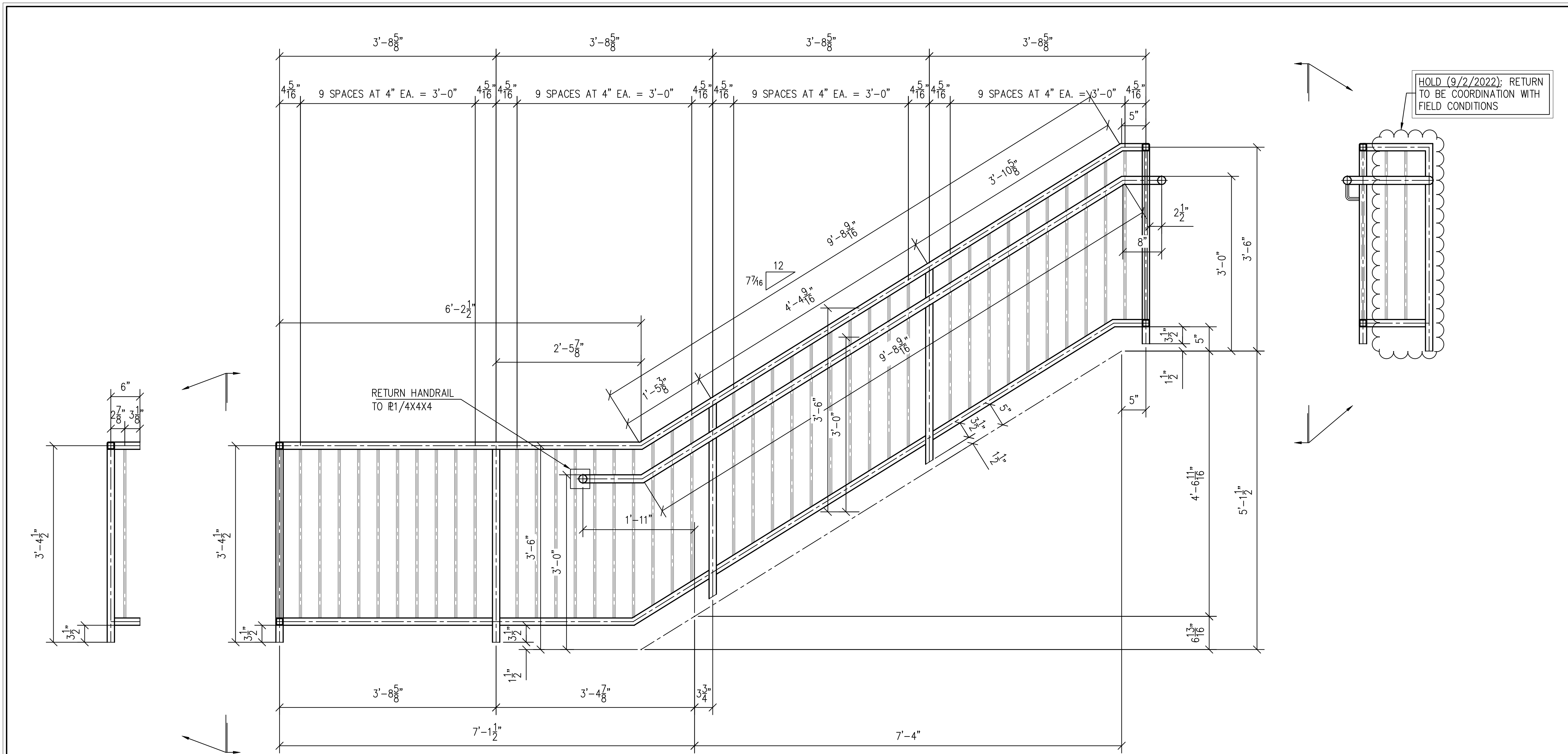
GENERAL NOTES:

- V.I.F. INDICATES DIMENSION TO BE VERIFIED IN FIELD
- F.V. INDICATES FIELD VERIFIED DIMENSION
- ALL CHANNELS, ANGLES, AND PLATES TO BE ASTM A36 U.O.N.
- ALL WIDE FLANGE SECTIONS TO BE ASTM A992 U.O.N.
- ALL HSS SECTIONS TO BE ASTM A500 GRADE B U.O.N.
- ALL PIPE TO BE ASTM A500 GRADE B U.O.N.
- ALL MECHANICAL TUBE TO BE ASTM A513 U.O.N.

REVISION	DESCRIPTION	DATE	BY
5	SHOP DRAWINGS FOR FAB. & ERECTION	9/6/2022	TS
4	SHOP DRAWINGS FOR FAB. & ERECTION	8/29/2022	TS
3	SHOP DRAWINGS FOR APPROVAL	8/17/2022	TS
2	SHOP DRAWINGS FOR APPROVAL	8/4/2022	TS
1	SHOP DRAWINGS FOR COORDINATION	8/1/2022	TS
0	SHOP DRAWINGS FOR APPROVAL	7/15/2022	TS

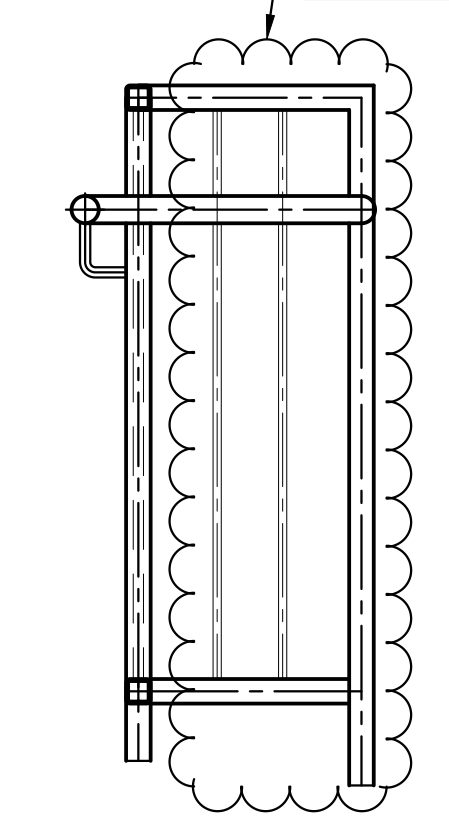
WELDS: E70XX U.O.N. HOLES: 13/16" Ø U.O.N.
 FINISH: ONE COAT SHOP PRIMER U.O.N.

JOB NAME:	ITEM NUMBER: -
JOB NUMBER: -	DATE: 7/14/2022
JOB LOCATION: CAMBRIDGE, MA	DETAILER: TS
GENERAL CONTRACTOR:	ITEM DESCRIPTION: GARAGE STAIR G1
	DRAWING NO.: G1Y

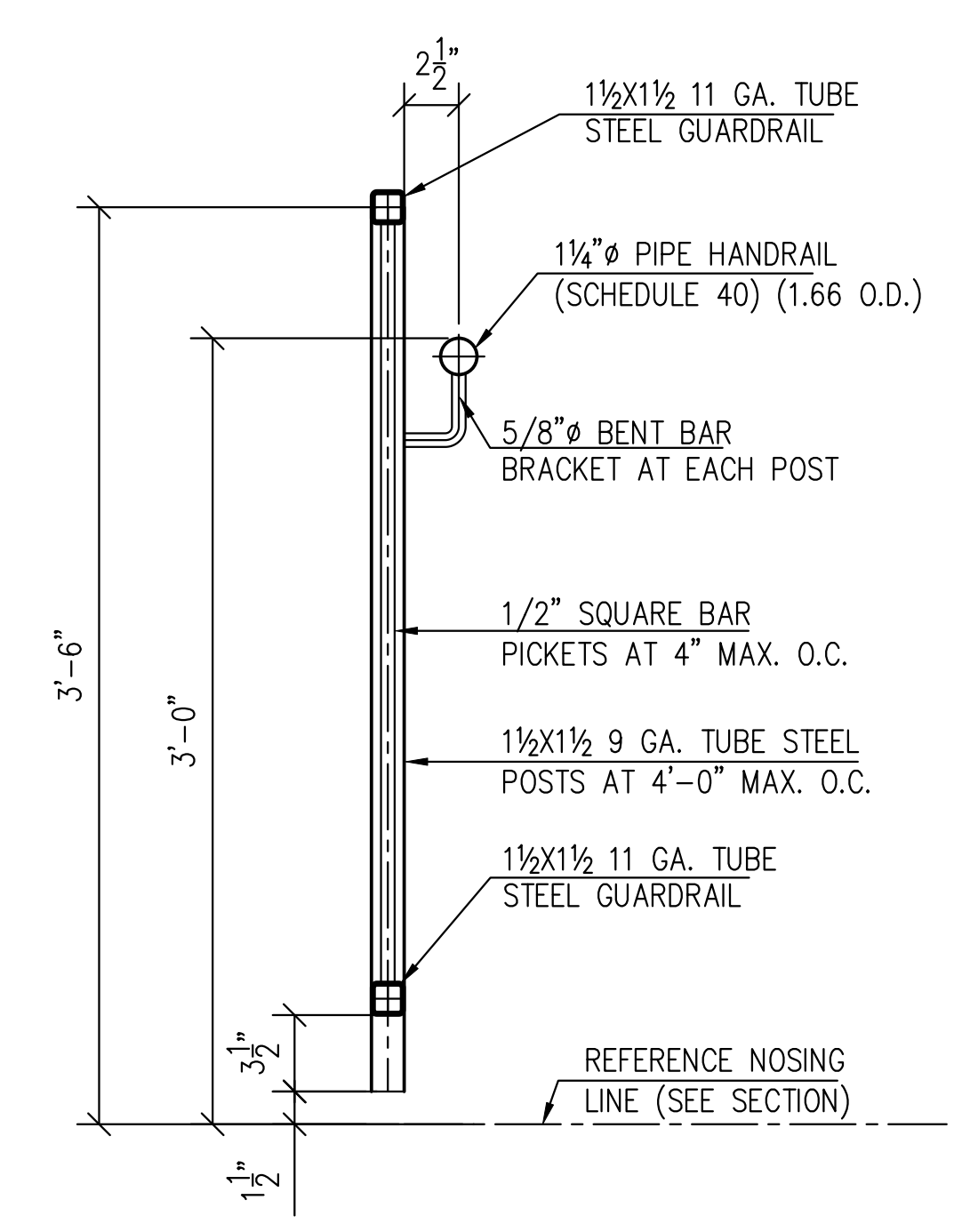


G1ZR1
 LANDING G1-1A TO LEVEL G2
 LANDING G1-2A TO LEVEL G3
 LANDING G1-3A TO LEVEL G4
 LANDING G1-4A TO LEVEL G5
 (4 REQ.)

HOLD (9/2/2022); RETURN TO BE COORDINATION WITH FIELD CONDITIONS



BILL OF MATERIALS				
REQ.	PC. MARK	SHAPE	LENGTH	REMARKS
4	G1ZR1	GUARDRAIL ASSEMBLY	-	-
LF	GUARDRAIL	1 1/2 X 1 1/2 11 GA. TUBE	136 LF	-
20	POSTS	1 1/2 X 1 1/2 9 GA. TUBE	3' 4 1/2 ±	-
76	PICKETS	1/2" SQUARE PICKETS	2' 10 3/4 ±	-
92	PICKETS	1/2" SQUARE PICKETS	2' 9 3/4 ±	-
LF	HANDRAIL	1 1/4" PIPE (SCH. 40)	56 LF	-
12	BRACKETS	5/8" BENT BAR	0' 6" ±	-



TYPICAL GUARDRAIL DETAIL
 SCALE 1 1/2" = 1'-0"

OC ON CENTER
 STEEL DETAILING LLC
 STAIRS - MISCELLANEOUS - STRUCTURAL
 OCSTEELDETAILING.COM

FOR FAB. & ERECTION:
 9/6/2022

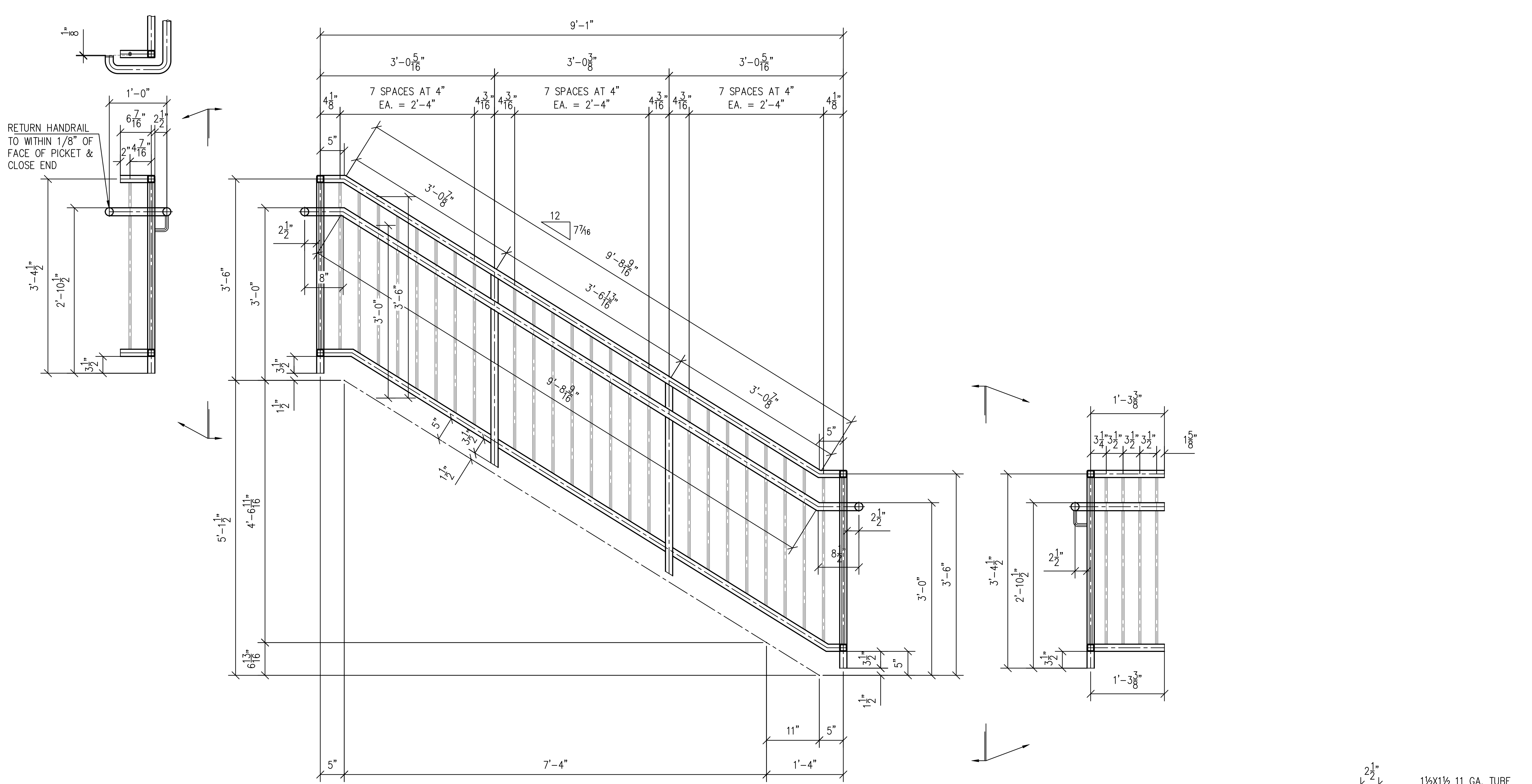
REFERENCE DESIGN DRAWINGS:
 A121, A362, A655, A656, S111

- GENERAL NOTES:**
1. V.I.F. INDICATES DIMENSION TO BE VERIFIED IN FIELD
 2. F.V. INDICATES FIELD VERIFIED DIMENSION
 3. ALL CHANNELS, ANGLES, AND PLATES TO BE ASTM A36 U.O.N.
 4. ALL WIDE FLANGE SECTIONS TO BE ASTM A992 U.O.N.
 5. ALL HSS SECTIONS TO BE ASTM A500 GRADE B U.O.N.
 6. ALL PIPE TO BE ASTM A500 GRADE B U.O.N.
 7. ALL MECHANICAL TUBE TO BE ASTM A513 U.O.N.

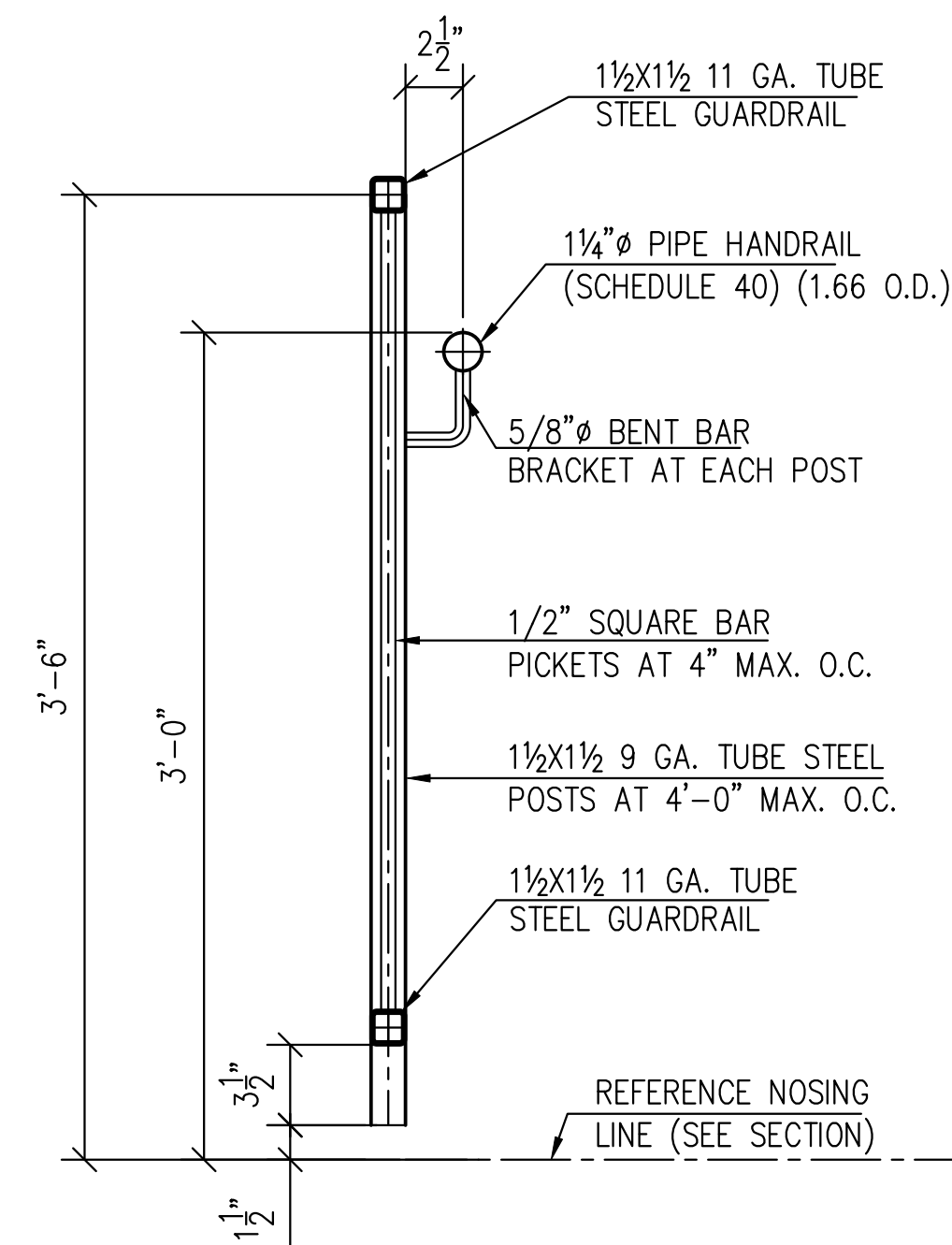
REVISION	DESCRIPTION	DATE	BY
5	SHOP DRAWINGS FOR FAB. & ERECTION	9/6/2022	TS
4	SHOP DRAWINGS FOR FAB. & ERECTION	8/29/2022	TS
3	SHOP DRAWINGS FOR APPROVAL	8/17/2022	TS
2	SHOP DRAWINGS FOR APPROVAL	8/4/2022	TS
1	SHOP DRAWINGS FOR COORDINATION	8/1/2022	TS
0	SHOP DRAWINGS FOR APPROVAL	7/15/2022	TS

WELDS: E70XX U.O.N. HOLES: 1 3/16" ø U.O.N.
 FINISH: ONE COAT SHOP PRIMER U.O.N.

JOB NAME:	ITEM NUMBER: -
JOB NUMBER: -	DATE: 7/14/2022
JOB LOCATION: CAMBRIDGE, MA	DETAILER: TS
GENERAL CONTRACTOR:	ITEM DESCRIPTION: GARAGE STAIR G1
	DRAWING NO.: G1Z



G12AR1
LANDING G1-4A TO LEVEL G5
(1 REQ.)



TYPICAL GUARDRAIL DETAIL
SCALE 1/2" = 1'-0"

BILL OF MATERIALS				
REQ.	PC. MARK	SHAPE	LENGTH	REMARKS
1	G12AR1	GUARDRAIL ASSEMBLY	-' -"	-
LF	GUARDRAIL	1 1/2 X 1 1/2 11 GA. TUBE	25 LF	-
4	POSTS	1 1/2 X 1 1/2 9 GA. TUBE	3' 4 1/2 ±	-
6	PICKETS	1/2" SQUARE PICKETS	2' 10 3/4 ±	-
23	PICKETS	1/2" SQUARE PICKETS	2' 9 3/4 ±	-
LF	HANDRAIL	1 1/4" Ø PIPE (SCH. 40)	15 LF	-
4	BRACKETS	5/8" Ø BENT BAR	0' 6" ±	-



FOR FAB. & ERECTION:
9/6/2022

REFERENCE DESIGN DRAWINGS:
A121, A362, A655, A656, S111

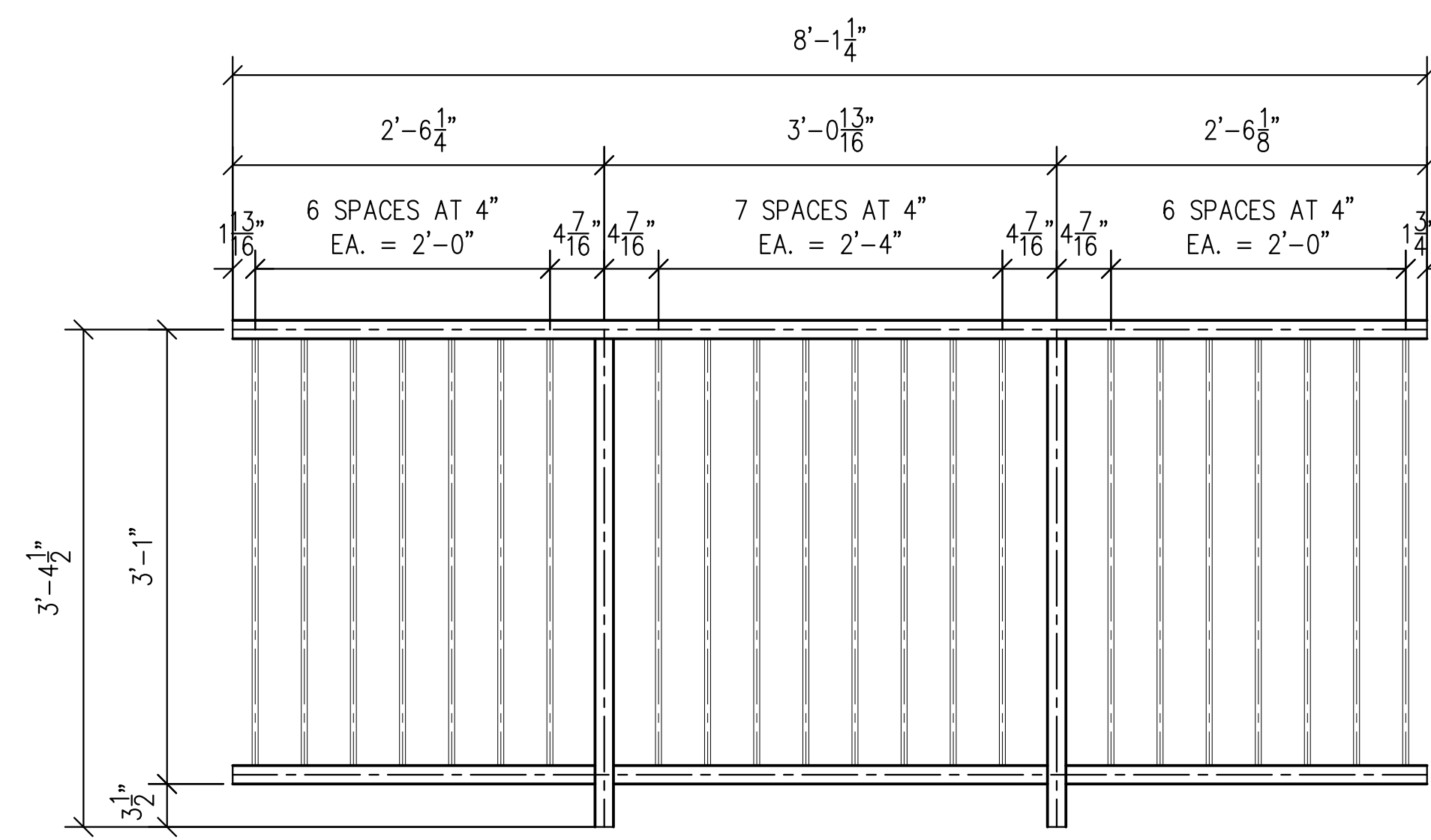
GENERAL NOTES:

- V.I.F. INDICATES DIMENSION TO BE VERIFIED IN FIELD
- F.V. INDICATES FIELD VERIFIED DIMENSION
- ALL CHANNELS, ANGLES, AND PLATES TO BE ASTM A36 U.O.N.
- ALL WIDE FLANGE SECTIONS TO BE ASTM A992 U.O.N.
- ALL HSS SECTIONS TO BE ASTM A500 GRADE B U.O.N.
- ALL PIPE TO BE ASTM A500 GRADE B U.O.N.
- ALL MECHANICAL TUBE TO BE ASTM A513 U.O.N.

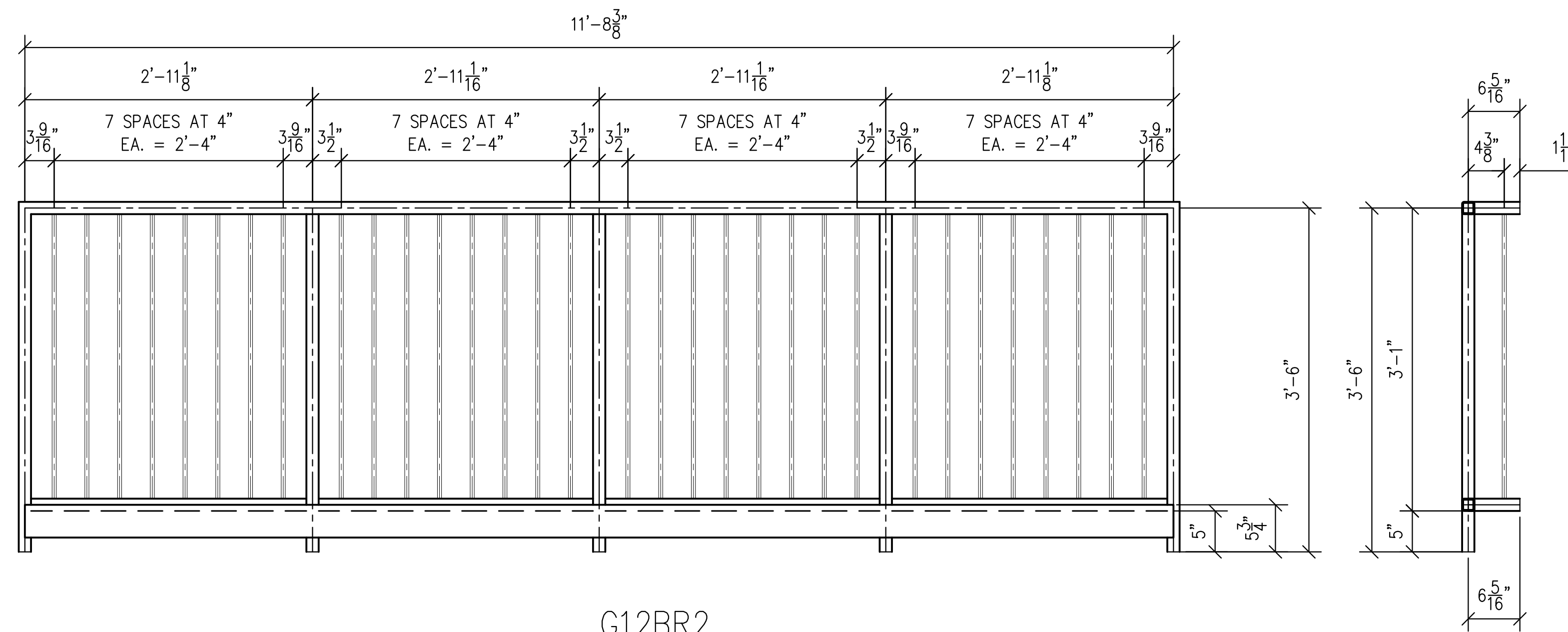
REVISION	DESCRIPTION	DATE	BY
5	SHOP DRAWINGS FOR FAB. & ERECTION	9/6/2022	TS
4	SHOP DRAWINGS FOR FAB. & ERECTION	8/29/2022	TS
3	SHOP DRAWINGS FOR APPROVAL	8/17/2022	TS
2	SHOP DRAWINGS FOR APPROVAL	8/4/2022	TS
1	SHOP DRAWINGS FOR COORDINATION	8/1/2022	TS
0	SHOP DRAWINGS FOR APPROVAL	7/15/2022	TS

WELDS: E70XX U.O.N. HOLES: 1/16" Ø U.O.N.
FINISH: ONE COAT SHOP PRIMER U.O.N.

JOB NAME:	ITEM NUMBER: -
JOB NUMBER: -	DATE: 7/14/2022
JOB LOCATION: CAMBRIDGE, MA	DETAILER: TS
GENERAL CONTRACTOR:	
ITEM DESCRIPTION: GARAGE STAIR G1	DRAWING NO.: G12A

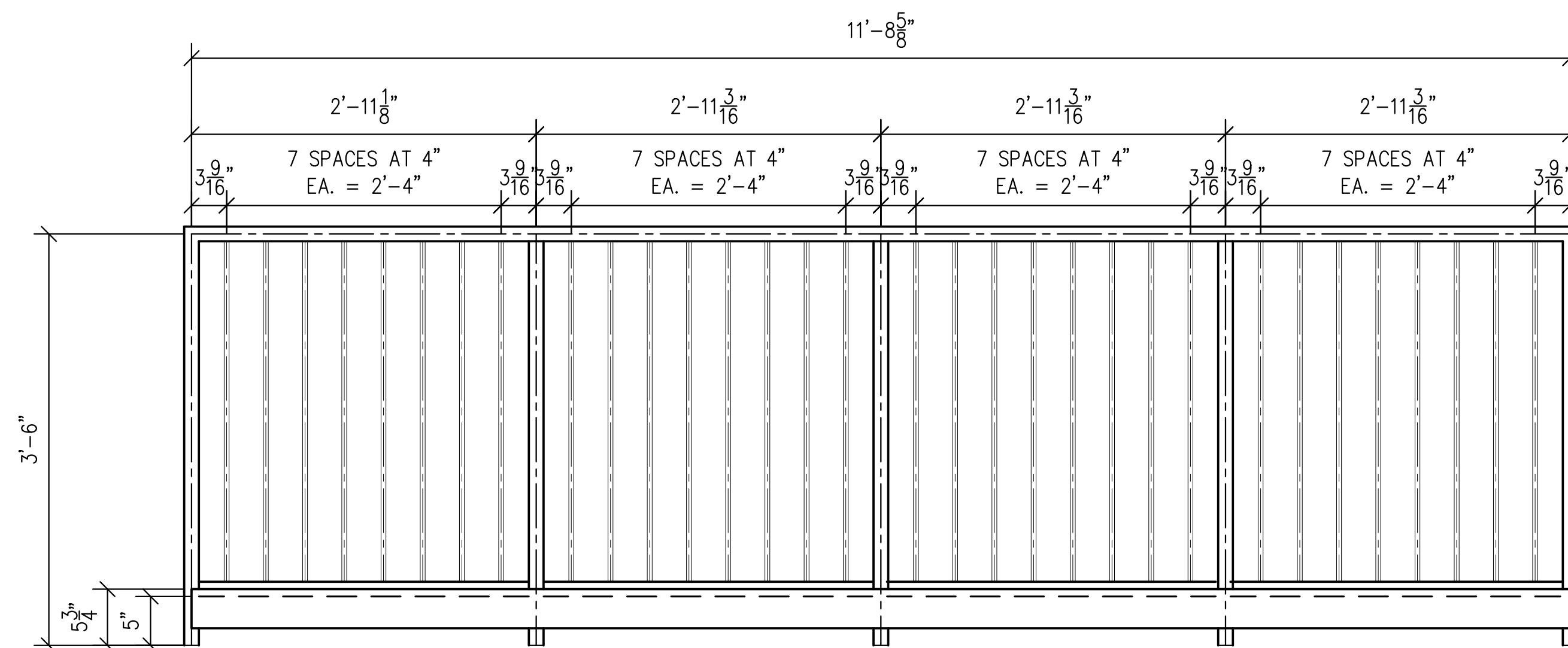


G12BR1
LEVEL G5
(1 REQ.)

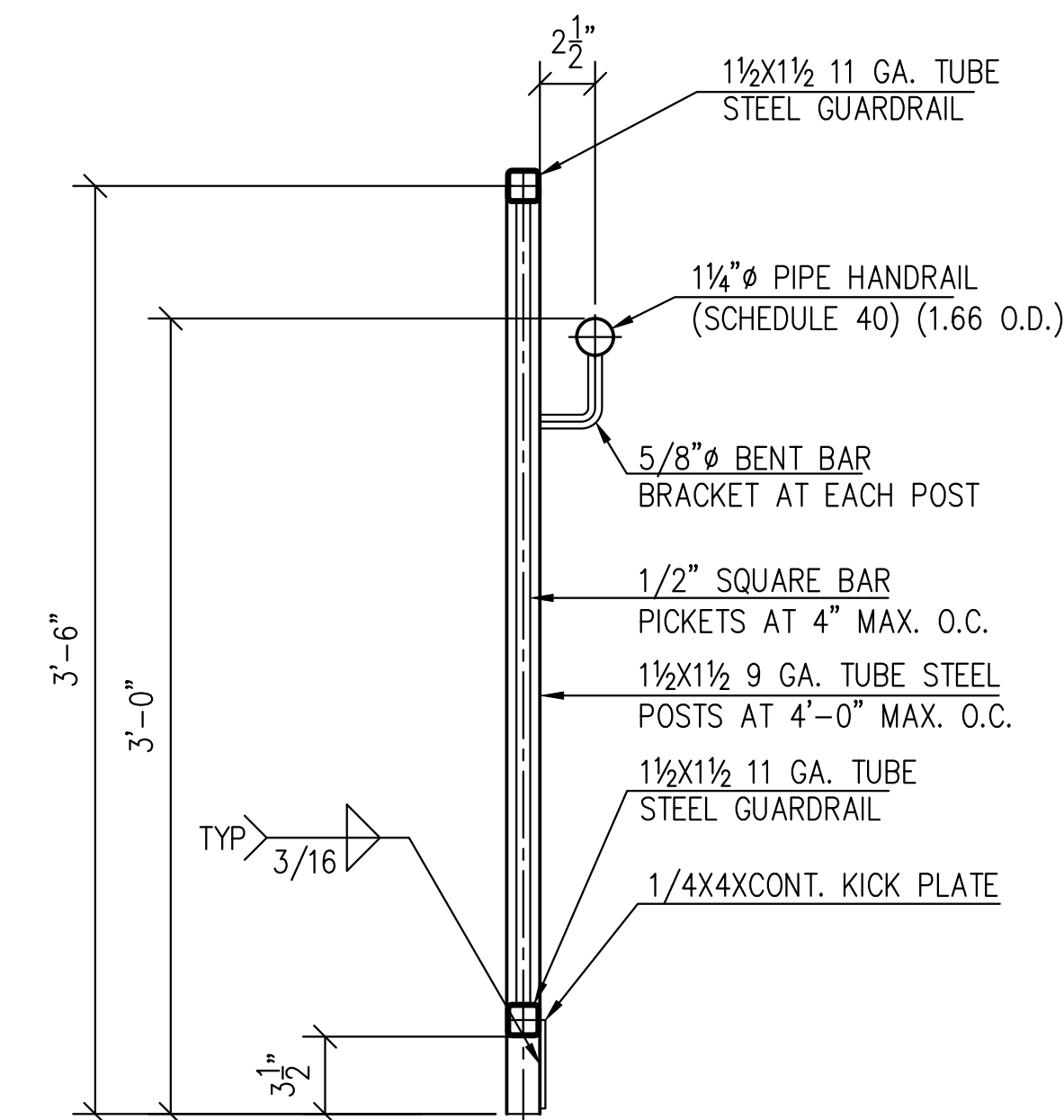
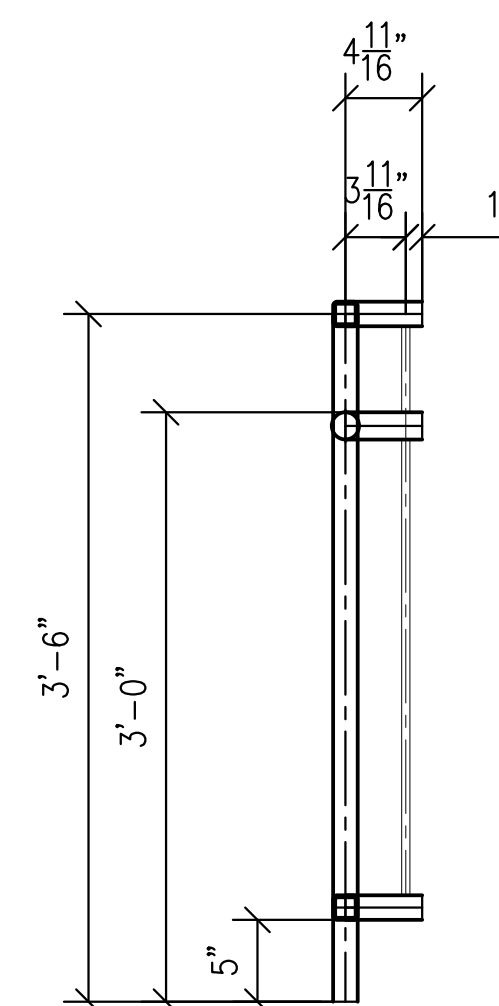


G12BR2
LEVEL G5
(1 REQ.)

BILL OF MATERIALS					
REQ.	PC. MARK	SHAPE	LENGTH	REMARKS	
1	G12BR1	GUARDRAIL ASSEMBLY	-'	-'	-
LF	GUARDRAIL	1 1/2 X 1 1/2 11 GA. TUBE	16	LF	-
2	POSTS	1 1/2 X 1 1/2 9 GA. TUBE	3'	4 1/2 ±	-
22	PICKETS	1/2" SQUARE PICKETS	2'	10 3/4 ±	-
1	G12BR2	GUARDRAIL ASSEMBLY	-'	-'	-
LF	GUARDRAIL	1 1/2 X 1 1/2 11 GA. TUBE	25	LF	-
5	POSTS	1 1/2 X 1 1/2 9 GA. TUBE	3'	6 ±	-
33	PICKETS	1/2" SQUARE PICKETS	2'	10 3/4 ±	-
1	TOE PL	R1/4X4	11'	8 3/8"	-
4	G12BR3	GUARDRAIL ASSEMBLY	-'	-'	-
LF	GUARDRAIL	1 1/2 X 1 1/2 11 GA. TUBE	100	LF	-
20	POSTS	1 1/2 X 1 1/2 9 GA. TUBE	3'	6 ±	-
132	PICKETS	1/2" SQUARE PICKETS	2'	10 3/4 ±	-
4	TOE PL	R1/4X4	11'	8 3/8"	-
LF	HANDRAIL	1 1/4" Ø PIPE (SCH. 40)	2	LF	-



G12BR3
LEVEL G1, G2, G3, & G4
(4 REQ.)



TYPICAL SLAB-MOUNTED
GUARDRAIL DETAIL
SCALE 1 1/2"=1'-0"



FOR FAB. & ERECTION:
9/6/2022

REFERENCE DESIGN DRAWINGS:
A121, A362, A655, A656, S111

GENERAL NOTES:

- V.I.F. INDICATES DIMENSION TO BE VERIFIED IN FIELD
- F.V. INDICATES FIELD VERIFIED DIMENSION
- ALL CHANNELS, ANGLES, AND PLATES TO BE ASTM A36 U.O.N.
- ALL WIDE FLANGE SECTIONS TO BE ASTM A992 U.O.N.
- ALL HSS SECTIONS TO BE ASTM A500 GRADE B U.O.N.
- ALL PIPE TO BE ASTM A500 GRADE B U.O.N.
- ALL MECHANICAL TUBE TO BE ASTM A513 U.O.N.

REVISION	DESCRIPTION	DATE	BY
5	SHOP DRAWINGS FOR FAB. & ERECTION	9/6/2022	TS
4	SHOP DRAWINGS FOR FAB. & ERECTION	8/29/2022	TS
3	SHOP DRAWINGS FOR APPROVAL	8/17/2022	TS
2	SHOP DRAWINGS FOR APPROVAL	8/4/2022	TS
1	SHOP DRAWINGS FOR COORDINATION	8/1/2022	TS
0	SHOP DRAWINGS FOR APPROVAL	7/15/2022	TS

WELDS: E70XX U.O.N. HOLES: 1/16" Ø U.O.N.
FINISH: ONE COAT SHOP PRIMER U.O.N.

JOB NAME:	ITEM NUMBER: -
JOB NUMBER: -	DATE: 7/14/2022
JOB LOCATION: CAMBRIDGE, MA	DETAILER: TS
GENERAL CONTRACTOR:	DRAWING NO.: G12B